

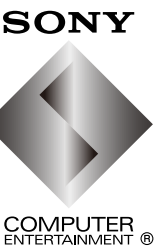
SM-BDD-0013E-01

BDPT-1001

BPX-2001

BD DRIVE SERVICE MANUAL 1st edition

PLAYSTATION 3®



Sony Computer Entertainment Inc.
CS Department
Published in Japan © 2007. 09

SAFETY CHECK-OUT

After correcting the original service problem, perform the following safety checks before releasing the set to the customer:

1. Check the area of your repair for unsoldered or poorly soldered connections. Check the entire board surface for solder splashes and bridges.
2. Check the interboard wiring to ensure that no wires are “pinched” or contact high-wattage resistors.
3. Look for unauthorized replacement parts, particularly transistors, that were installed during a previous repair. Point them out to the customer and recommend their replacement.
4. Look for parts which, though functioning, show obvious signs of deterioration. Point them out to the customer and recommend their replacement.
5. Check the power cable for cracks and abrasion. Recommend the replacement of any such power cable to the customer.
6. Check the B+ voltage to see it is at the values specified.
7. Check the metal trim, “metallized” knobs, screws, and all other exposed metal parts for AC leakage. Check leakage as described below.

CAUTION:

The use of optical instruments with this product will increase eye hazard.

CAUTION

Use of controls or adjustments or performance of procedures other than those specified herein may result in hazardous radiation exposure.

WARNING!!

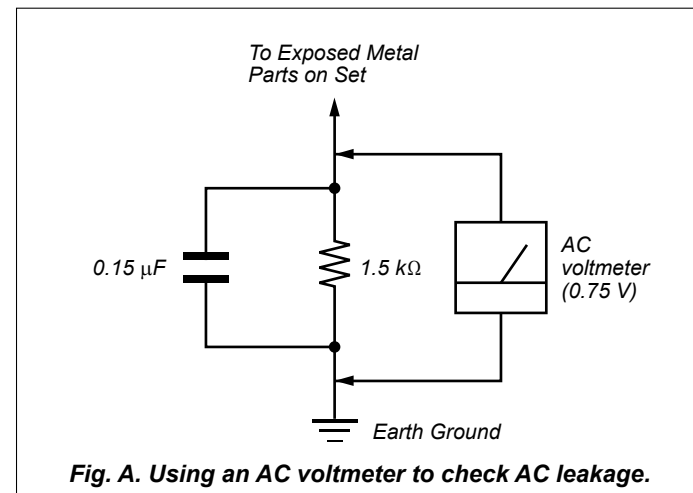
WHEN SERVICING, DO NOT APPROACH THE LASER EXIT WITH THE EYE TOO CLOSELY. IN CASE IT IS NECESSARY TO CONFIRM LASER BEAM EMISSION, BE SURE TO OBSERVE FROM A DISTANCE OF MORE THAN 25 cm FROM THE SURFACE OF THE OBJECTIVE LENS ON THE OPTICAL PICK-UP BLOCK.

LEAKAGE TEST

The AC leakage from any exposed metal part to earth ground and from all exposed metal parts to any exposed metal part having a return to chassis, must not exceed 0.5 mA (500 microamperes.).

Leakage current can be measured by any one of three methods.

1. A commercial leakage tester, such as the Simpson 229 or RCA WT-540A. Follow the manufacturers’ instructions to use these instruments.
2. A battery-operated AC milliammeter. The Data Precision 245 digital multimeter is suitable for this job.
3. Measuring the voltage drop across a resistor by means of a VOM or battery-operated AC voltmeter. The “limit” indication is 0.75 V, so analog meters must have an accurate low-voltage scale. The Simpson 250 and Sanwa SH-63Trd are examples of a passive VOM that is suitable. Nearly all battery operated digital multimeters that have a 2 V AC range are suitable. (See Fig. A)



SAFETY-RELATED COMPONENT WARNING!!

COMPONENTS IDENTIFIED BY MARK \triangle OR DOTTED LINE WITH MARK \triangle ON THE SCHEMATIC DIAGRAMS AND IN THE PARTS LIST ARE CRITICAL TO SAFE OPERATION. REPLACE THESE COMPONENTS WITH SONY PARTS WHOSE PART NUMBERS APPEAR AS SHOWN IN THIS MANUAL OR IN SUPPLEMENTS PUBLISHED BY SONY.

ATTENTION AU COMPOSANT AYANT RAPPORT À LA SÉCURITÉ!!

LES COMPOSANTS IDENTIFIÉS PAR UNE MARQUE \triangle SUR LES DIAGRAMMES SCHÉMATIQUES ET LA LISTE DES PIÈCES SONT CRITIQUES POUR LA SÉCURITÉ DE FONCTIONNEMENT. NE REMPLACER CES COMPOSANTS QUE PAR DES PIÈCES SONY DONT LES NUMÉROS SONT DONNÉS DANS CE MANUEL OU DANS LES SUPPLÉMENTS PUBLIÉS PAR SONY.

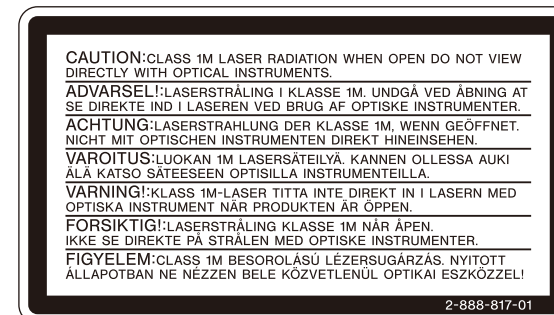
SPECIAL COMPONENT NOTICE

The components identified by mark \triangle contain confidential information. Strictly follow the instructions whenever the components are repaired and/or replaced.

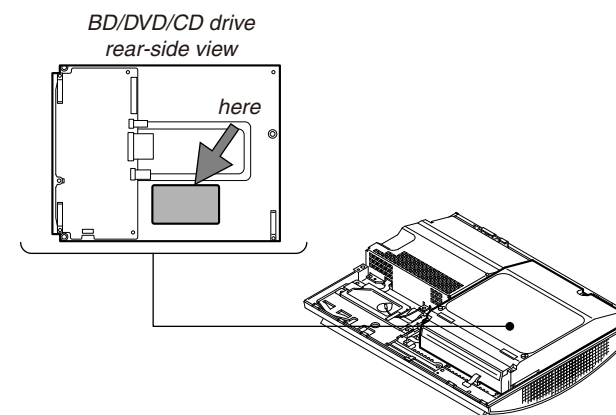
CAUTION

Ensure that this product is disconnected from the power plug before the laser protective housing is removed.

CLASS 1M LASER RADIATION WHEN OPEN DO NOT VIEW DIRECTLY WITH OPTICAL INSTRUMENTS.



This label is located on the BD/DVD/CD Drive laser protective housing inside the enclosure.



CAUTION

Risk of Explosion if Battery is replaced by an Incorrect Type. Dispose of Used Batteries According to the Instructions.

Lithium Batteries

If an equipment is provided with a replaceable lithium battery, the following applies:

- if the battery is placed in an OPERATOR ACCESS AREA, there shall be a warning close to the battery or in both the operating and the service instructions:
- if the battery is placed elsewhere in the equipment, there shall be a warning close to the battery or in the service instructions.

TABLE OF CONTENTS

1. CIRCUIT DIAGRAM

1-1. BL1-001 Board..... 1-2
1-2. BL2-001 Board..... 1-2
1-3. BMD-001 Board (1/4)..... 1-3
1-4. BMD-001 Board (2/4)..... 1-4
1-5. BMD-001 Board (3/4)..... 1-5
1-6. BMD-001 Board (4/4)..... 1-6
1-7. BMD-002 Board (1/3)..... 1-7
1-8. BMD-002 Board (2/3)..... 1-8
1-9. BMD-002 Board (3/3)..... 1-9

2. PRINTED WIRING BOARDS

2-1. BL1-001 Board..... 2-1
2-2. BL2-001 Board..... 2-1
2-3. BMD-001 Board (Side A) 2-2
2-4. BMD-001 Board (Side B) 2-3
2-5. BMD-002 Board (Side A) 2-4
2-6. BMD-002 Board (Side B) 2-5

3. EXPLODED VIEWS

3-1. Loading Complete Assy Section 3-1
3-2. Loading Block Assy Section 3-2
3-3. Base Frame Complete Assy Section..... 3-3
3-4. Top Frame Complete Assy Section 3-4
3-5. Front Arm Assy Section..... 3-5
3-6. Optical Pick-up Section..... 3-6

4. ELECTRICAL PARTS LIST

BL1-001 Board..... 4-1
BL2-001 Board..... 4-1
BMD-001 Board..... 4-1
BMD-002 Board..... 4-4

SECTION 1 CIRCUIT DIAGRAM

Note on Schematic Diagram:

- All capacitors are in μF unless otherwise noted.
pF: $\mu\mu\text{F}$ 50 WV or less are not indicated except for electrolytics and tantalums.
- All resistors are in Ω and $1/4$ W or less unless otherwise specified.
- % : indicates tolerance.

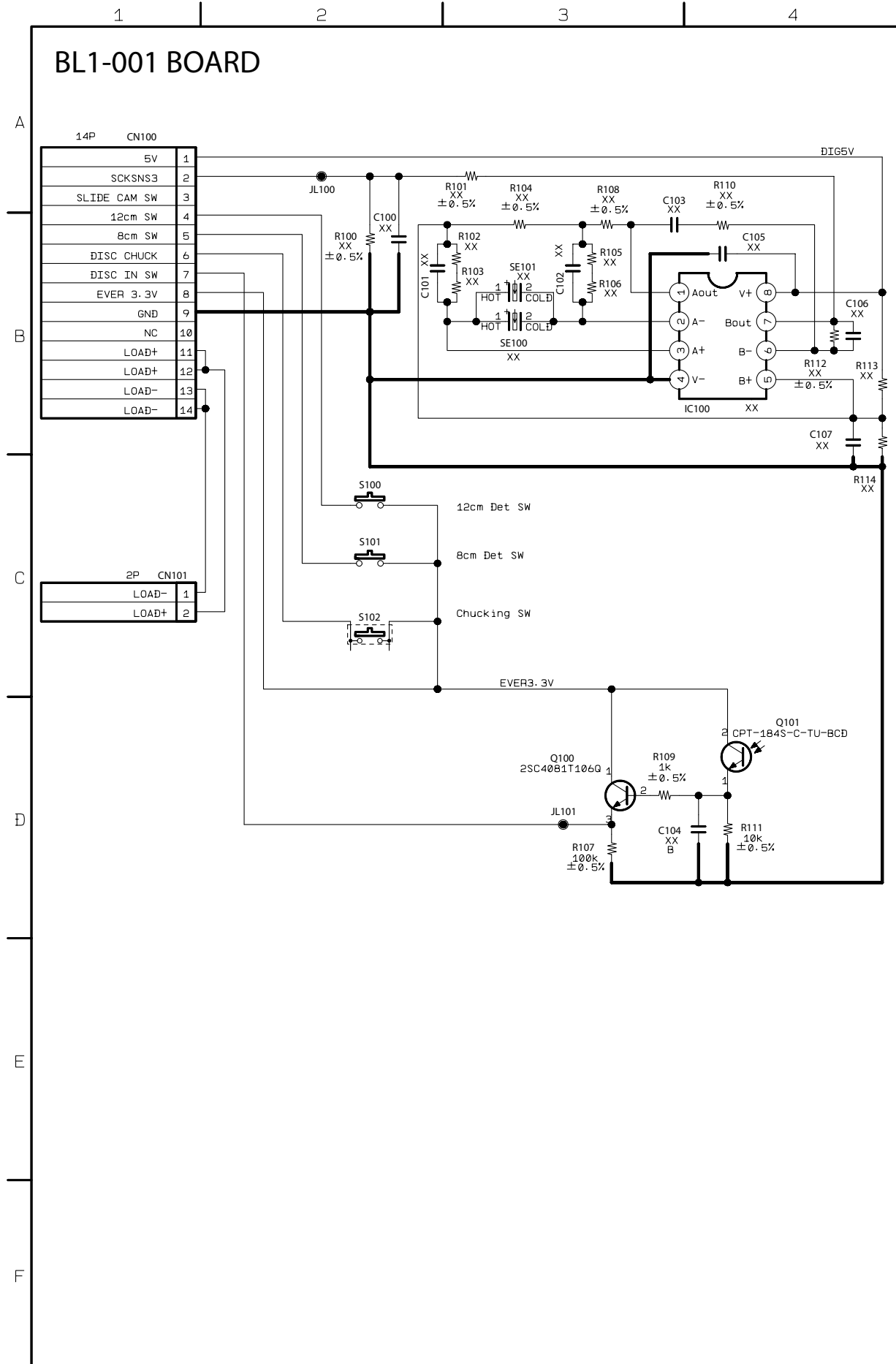
Note:

The components identified by mark \triangle or dotted line with mark \triangle are critical for safety. Replace only with part number specified.

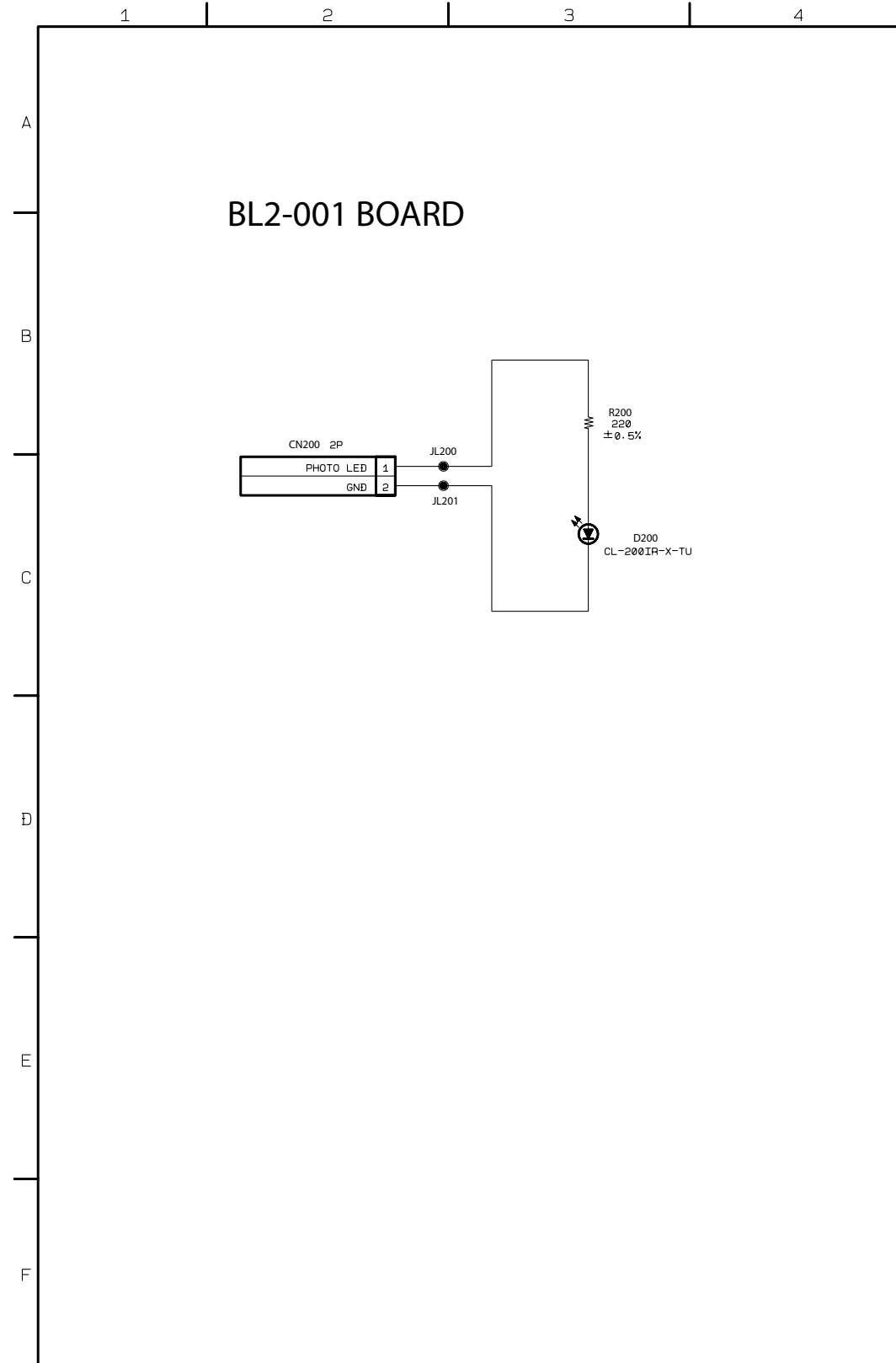
Note:

Les composants identifiés par une marque \triangle sont critiques pour la sécurité. Ne les remplacer que par une pièce portant le numéro spécifié.

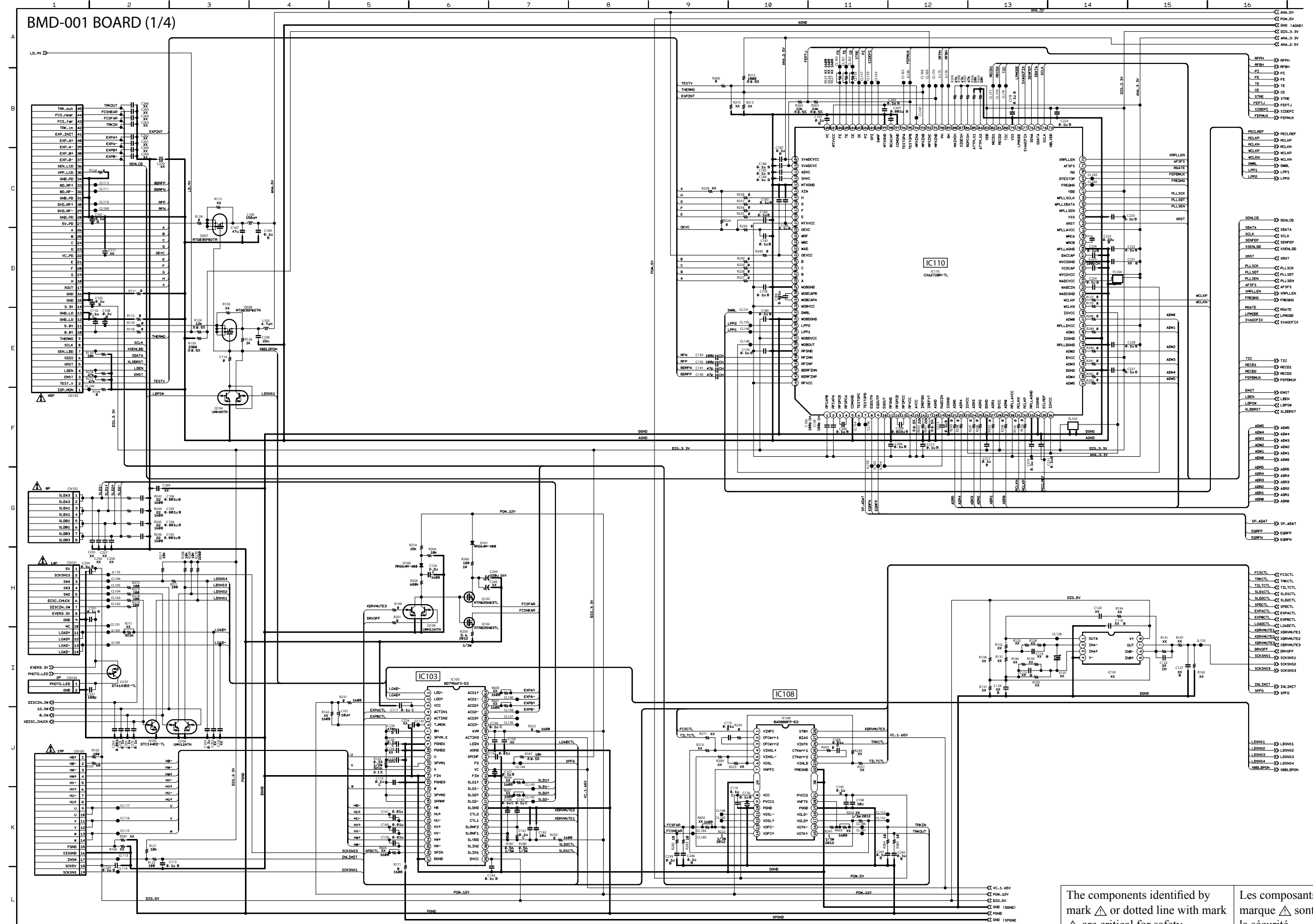
1-1. BL1-001 BOARD



1-2. BL2-001 BOARD



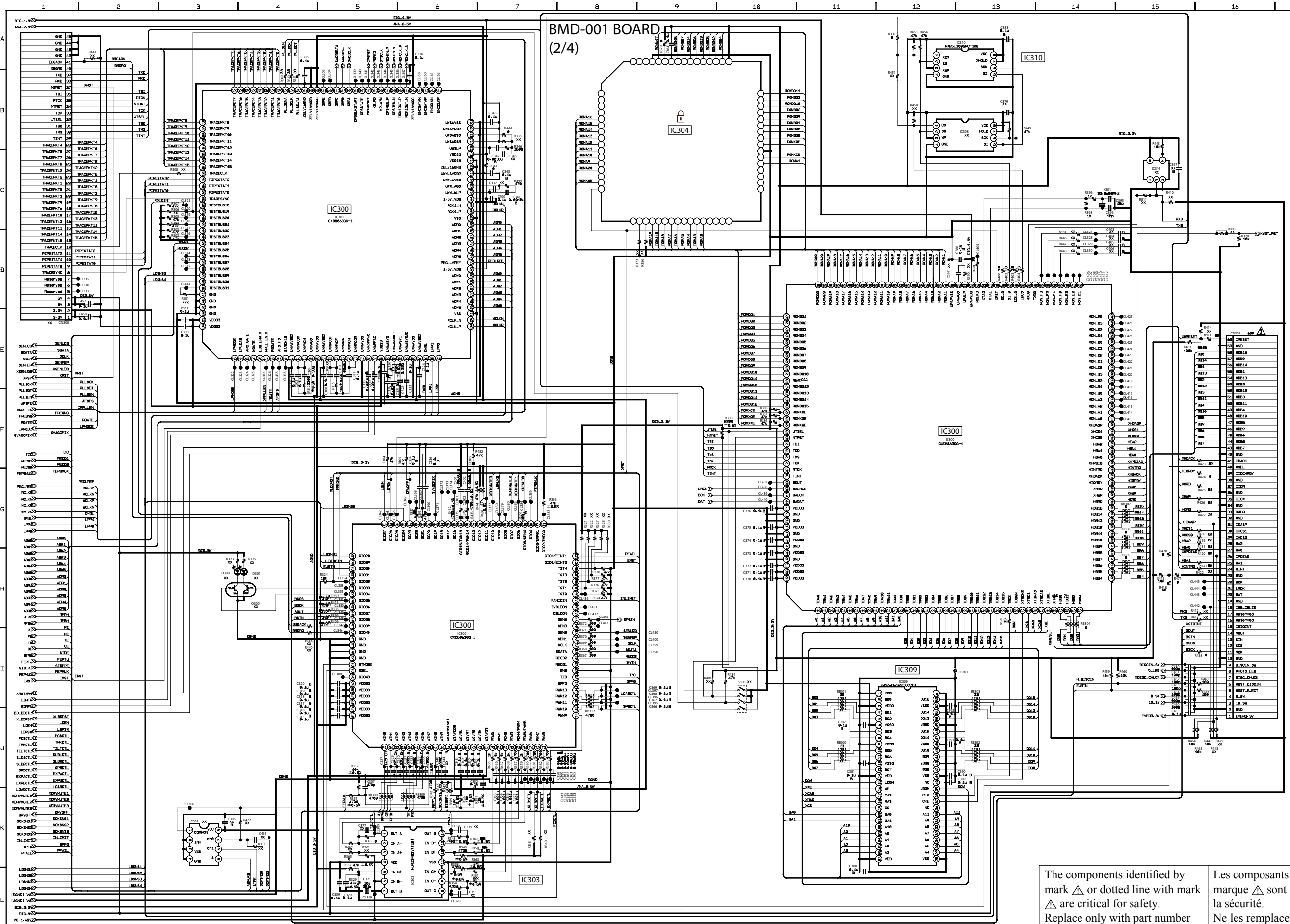
1-3. BMD-001 BOARD (1/4)



The components identified by mark △ or dotted line with mark △ are critical for safety. Replace only with part number specified.

Les composants identifiés par une marque △ sont critiques pour la sécurité. Ne les remplacer que par une pièce portant le numéro spécifié.

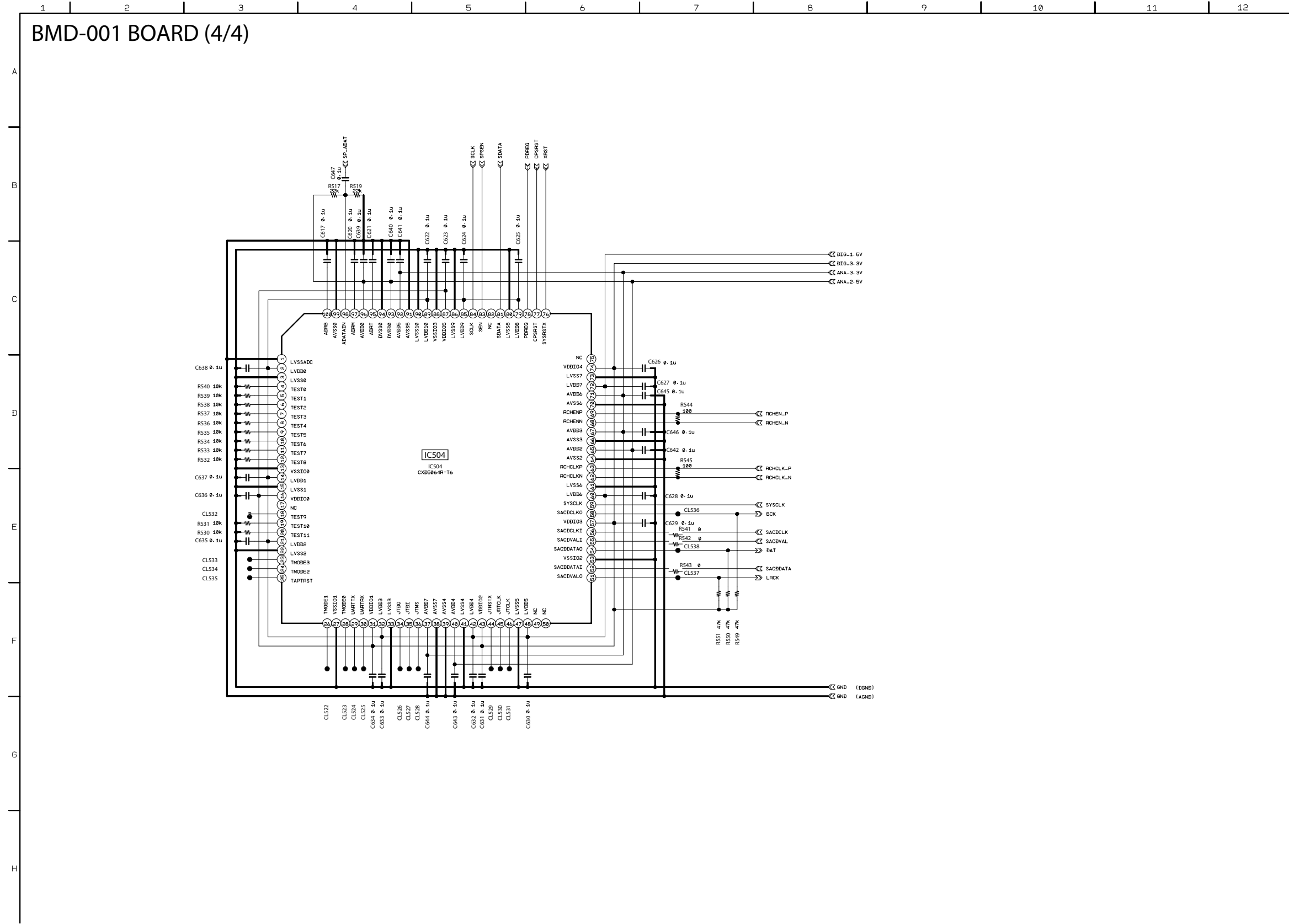
1-4. BMD-001 BOARD (2/4)



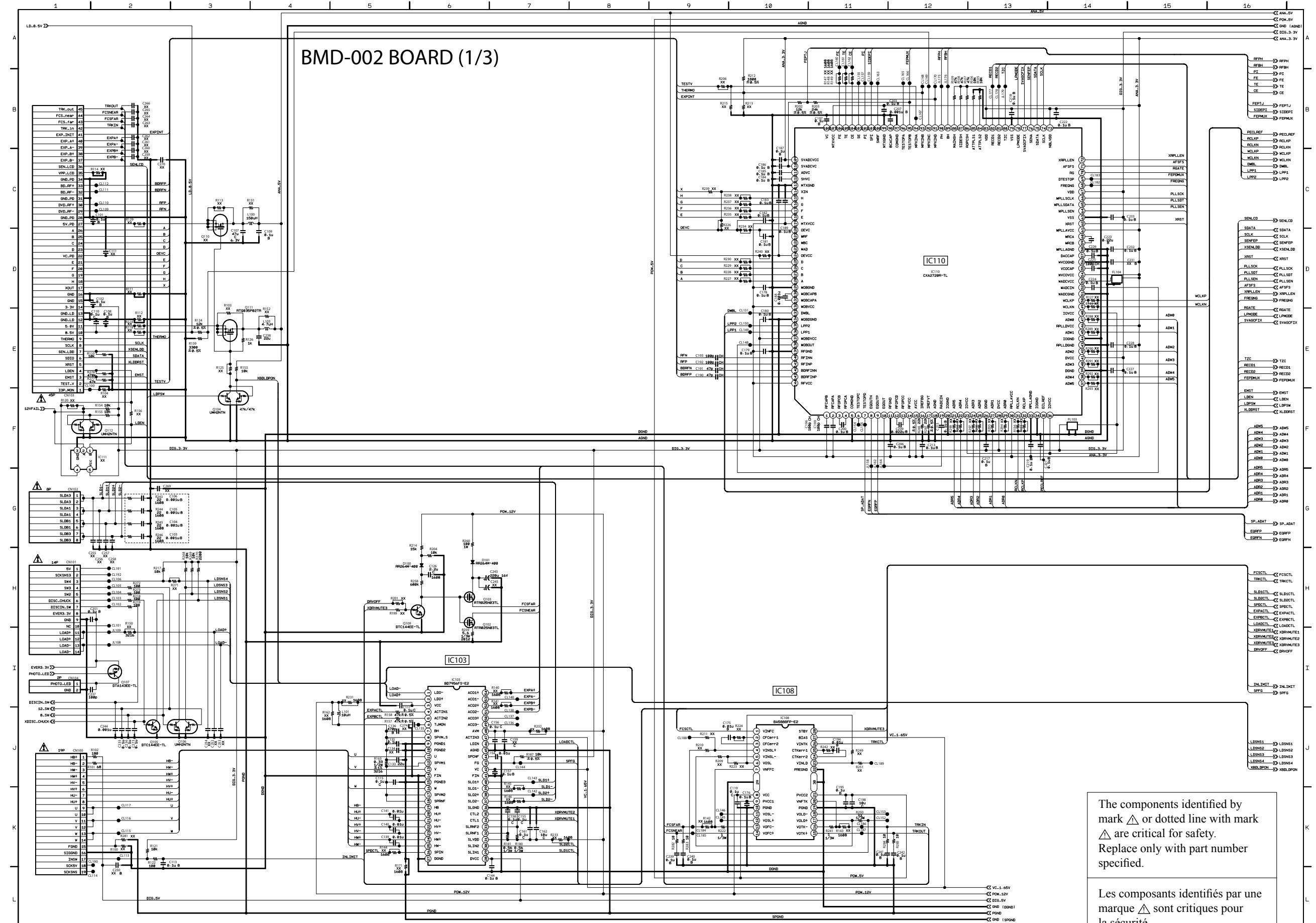
The components identified by mark \triangle or dotted line with mark \triangle are critical for safety. Replace only with part number specified.

Les composants identifiés par une marque \triangle sont critiques pour la sécurité. Ne les remplacer que par une pièce portant le numéro spécifié.

1-6. BMD-001 BOARD (4/4)



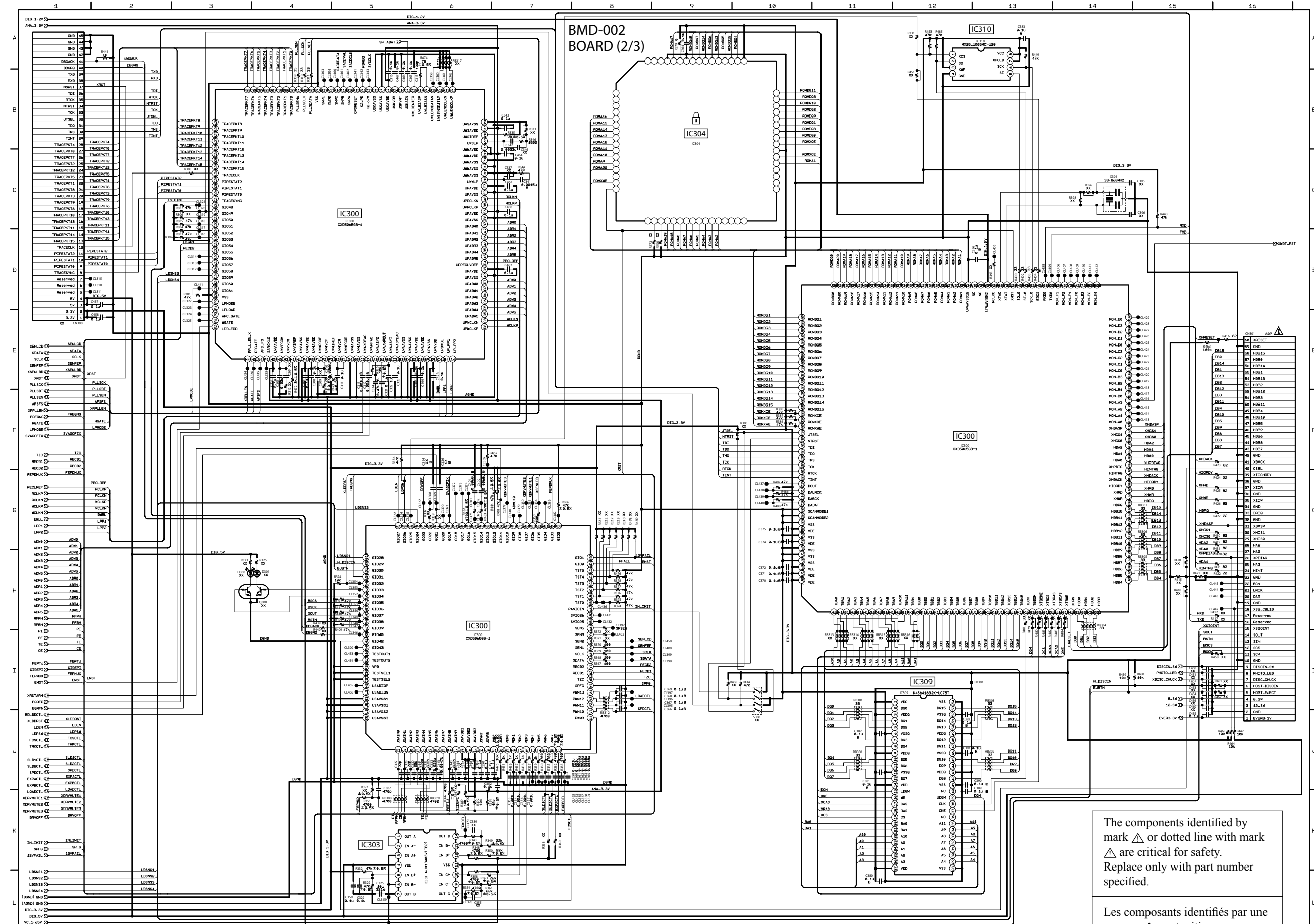
1-7. BMD-002 BOARD (1/3)



The components identified by mark \triangle or dotted line with mark \triangle are critical for safety. Replace only with part number specified.

Les composants identifiés par une marque \triangle sont critiques pour la sécurité. Ne les remplacer que par une pièce portant le numéro spécifié.

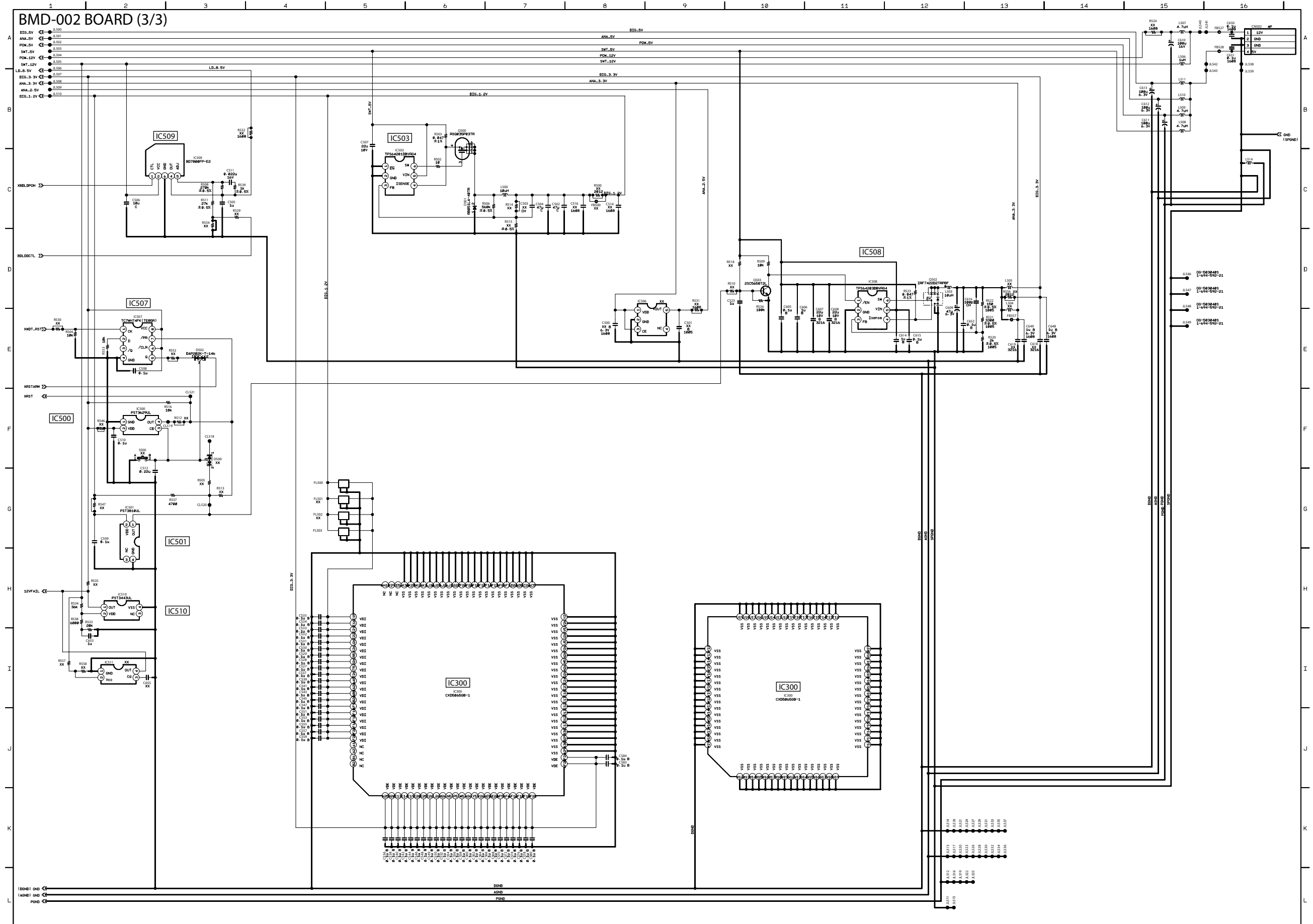
1-8. BMD-002 BOARD (2/3)



The components identified by mark ▲ or dotted line with mark ▲ are critical for safety. Replace only with part number specified.

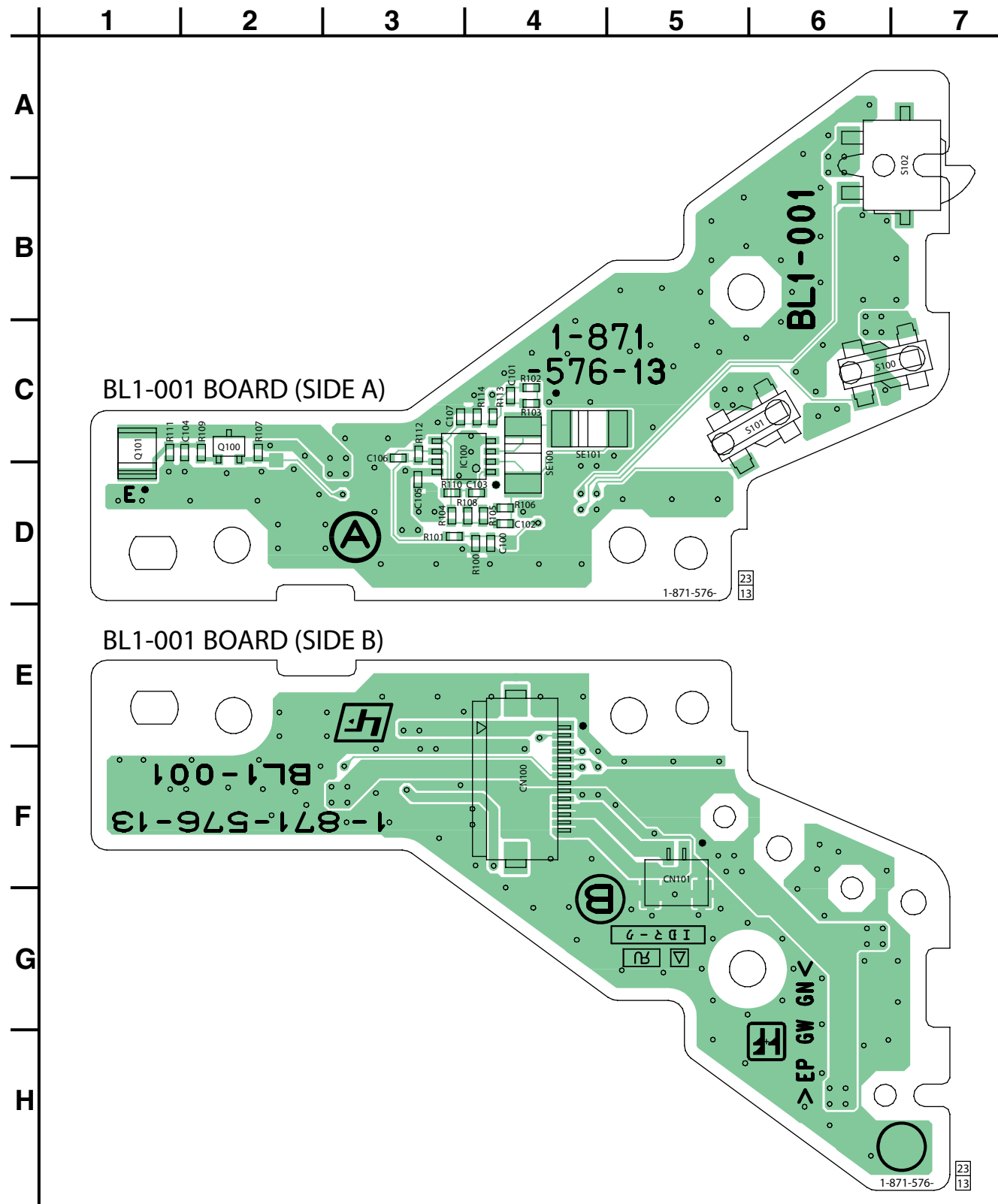
Les composants identifiés par une marque ▲ sont critiques pour la sécurité. Ne les remplacer que par une pièce portant le numéro spécifié.

1-9. BMD-002 BOARD (3/3)

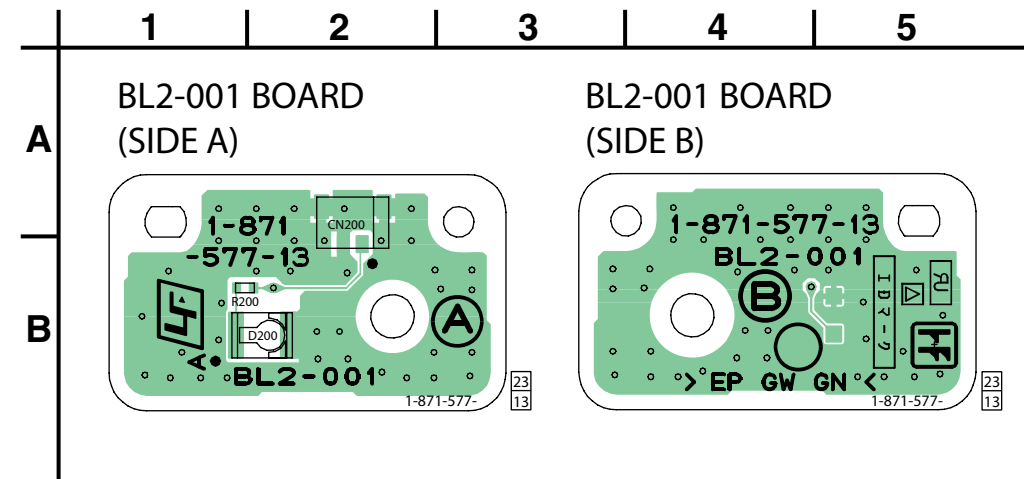


**SECTION 2
PRINTED WIRING BOARDS**

2-1. BL1-001 BOARD



2-2. BL2-001 BOARD

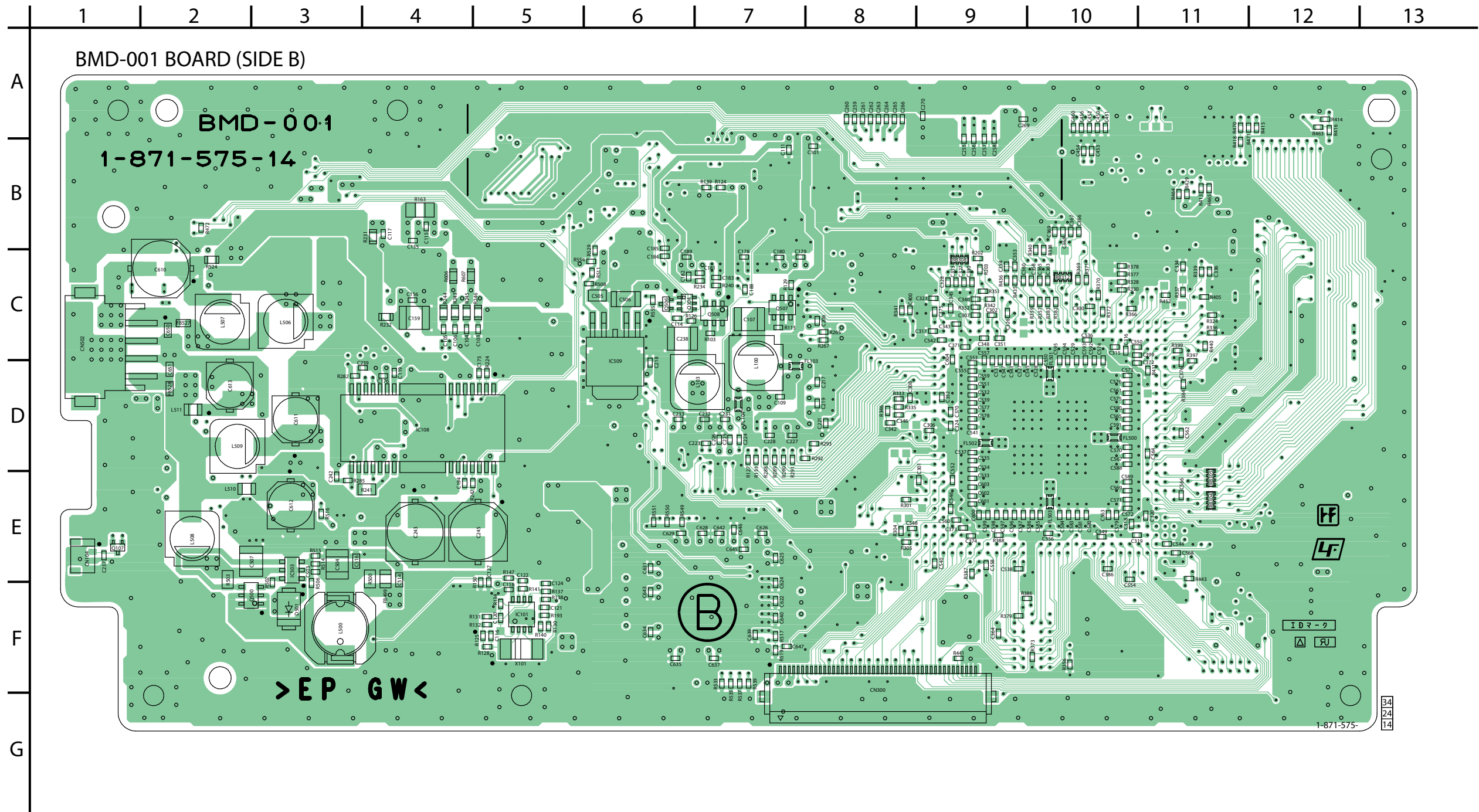


Note on Printed Wiring Boards:

- : Pattern from the side which enables seeing. (The other layer's patterns are not indicated.)

Caution:
 Pattern face side: Parts on the pattern face side seen (Side B) from the pattern face are indicated.
 Parts face side: Parts on the parts face side seen (Side A) from the parts face are indicated.

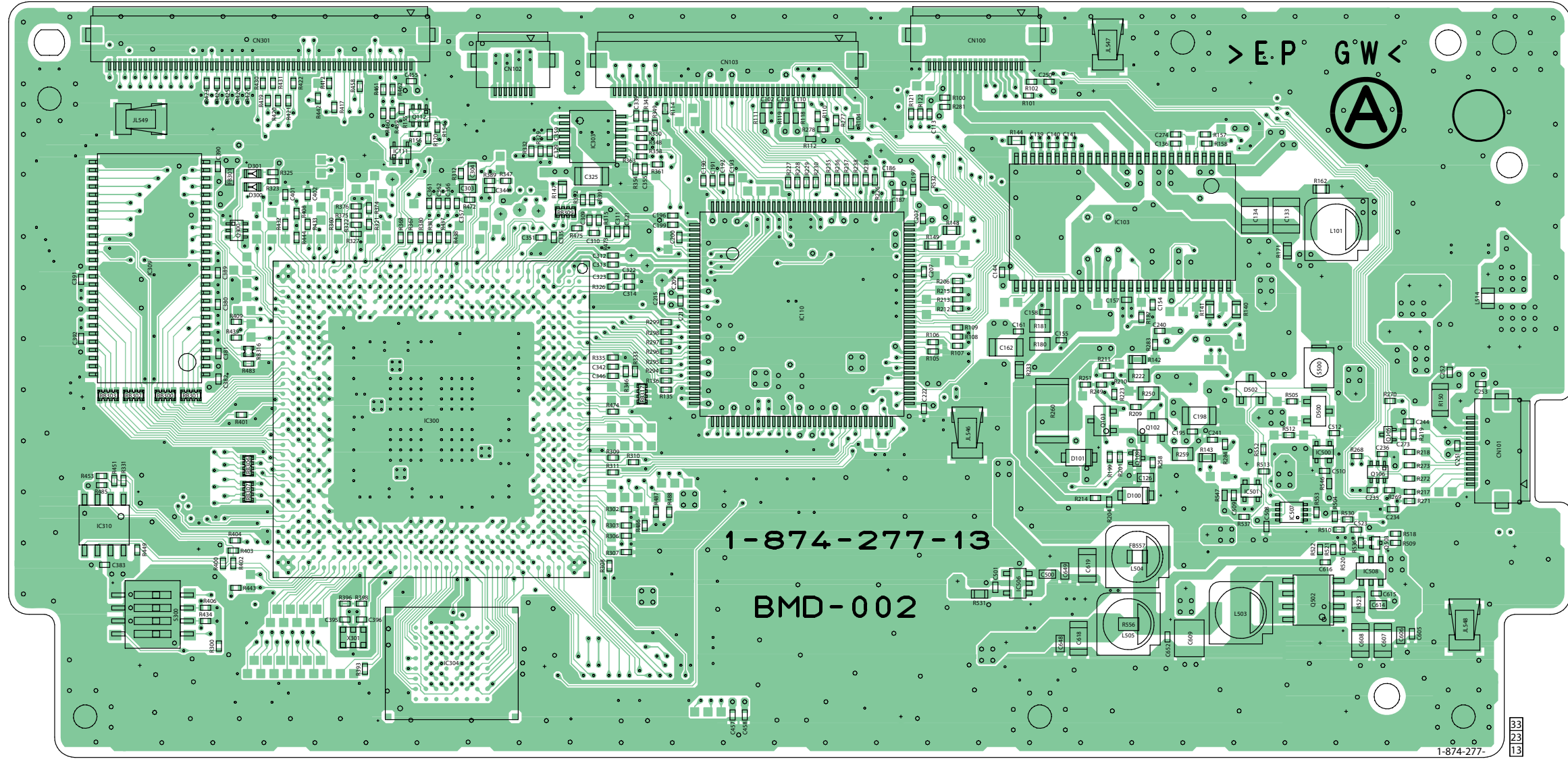
2-4. BMD-001 BOARD (SIDE B)



2-5. BMD-002 BOARD (SIDE A)

13 | 12 | 11 | 10 | 9 | 8 | 7 | 6 | 5 | 4 | 3 | 2 | 1

BMD-002 BOARD (SIDE A)



A
B
C
D
E
F
G

SECTION 3 EXPLODED VIEWS

NOTE:

- The mechanical parts with no reference number in the exploded views are not supplied.
- Accessories are given in the last of this parts list.

The components identified by mark \triangle or dotted line with mark \triangle are critical for safety. Replace only with part number specified.

Les composants identifiés par une marque \triangle sont critiques pour la sécurité. Ne les remplacer que par une pièce portant le numéro spécifié.

NOTE:

- SC Classification:
S : Supplied parts U : Unsupplied parts

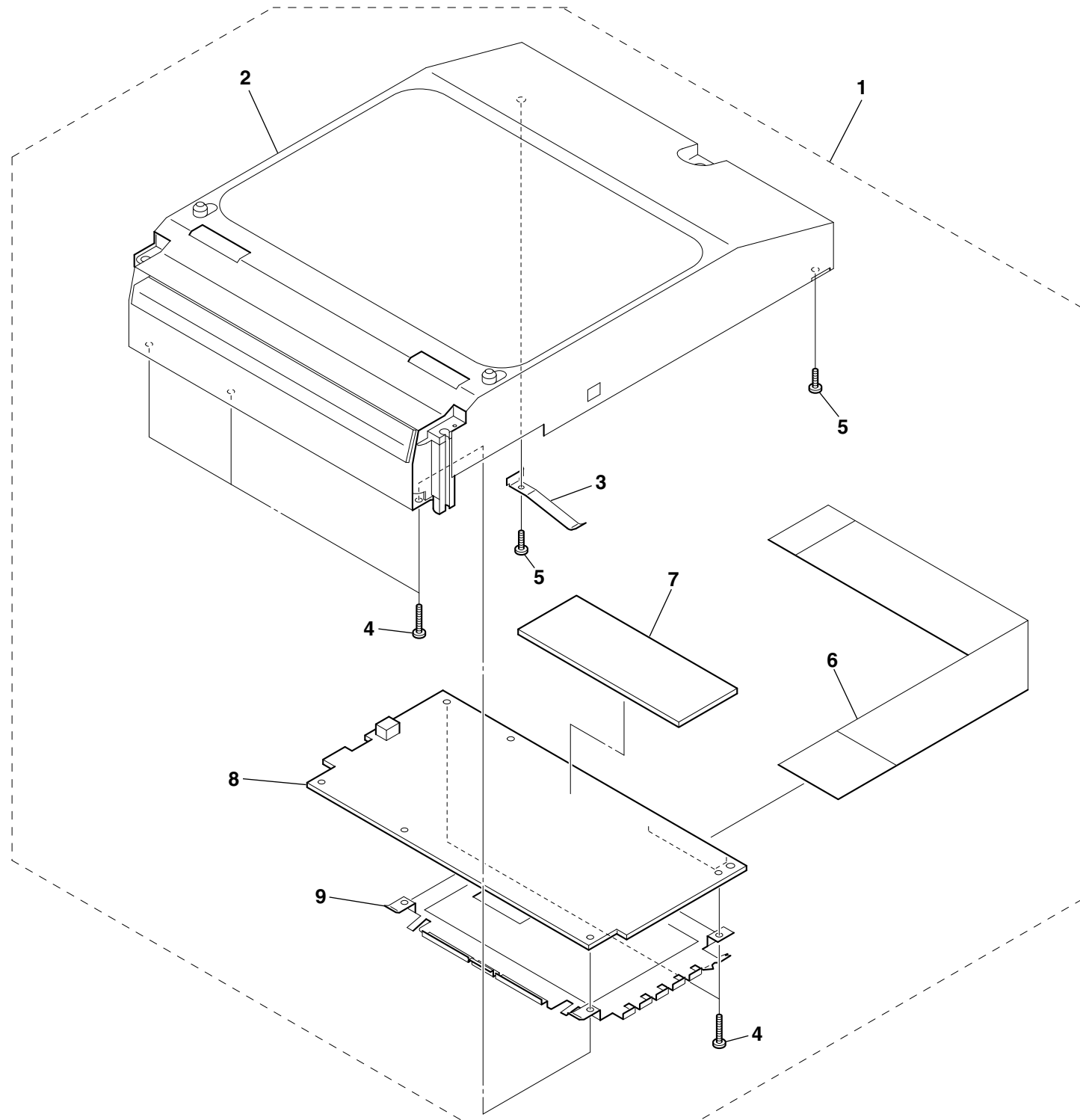
CAUTION

Use of controls or adjustments or performance of procedures other than those specified herein may result in hazardous radiation exposure.

SPECIAL COMPONENT NOTICE

The components identified by mark \square contain confidential information. Strictly follow the instructions whenever the components are repaired and/or replaced.

3-1. LOADING COMPLETE ASSY SECTION



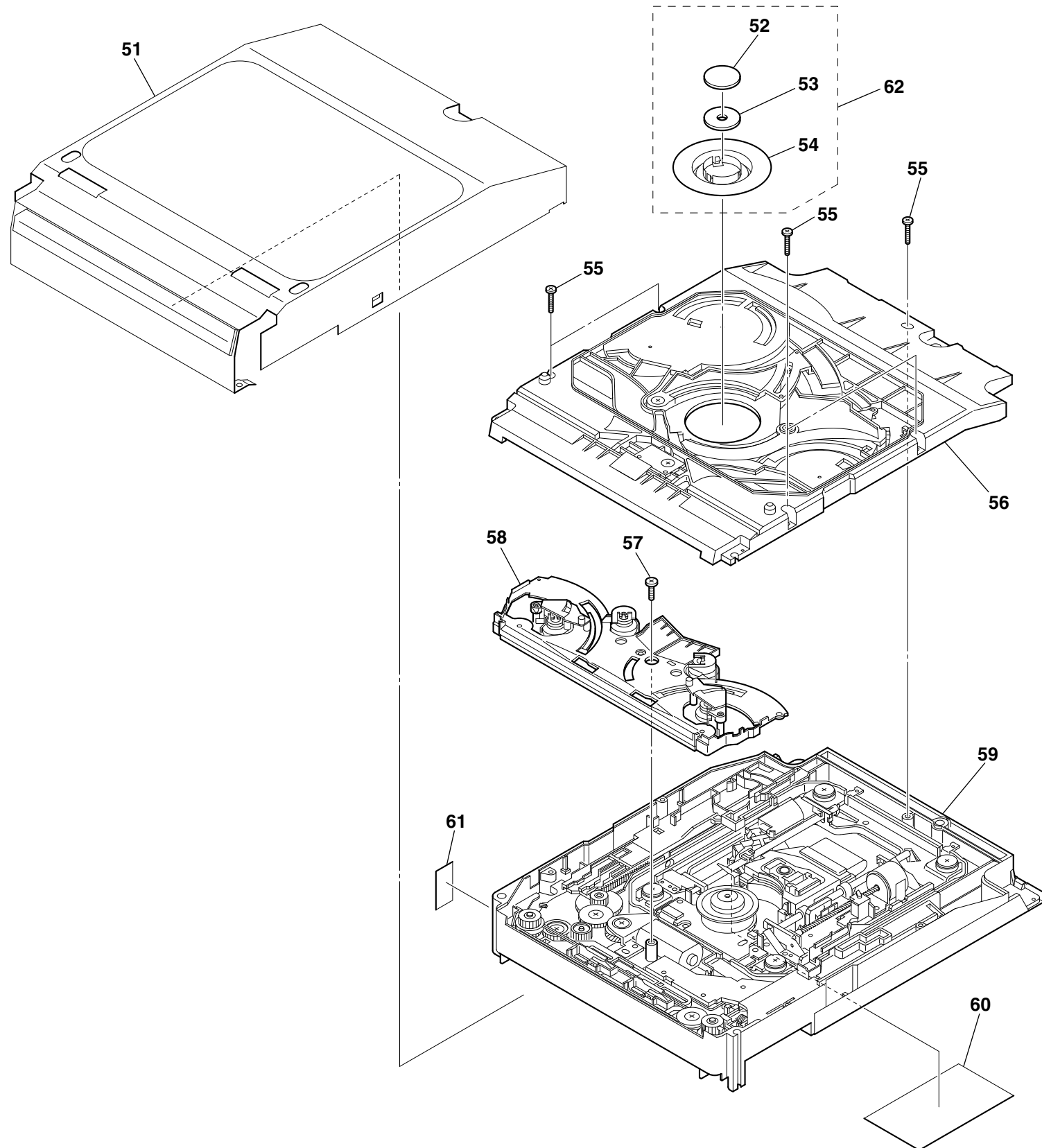
• LOADING COMPLETE ASSY

SC	Ref. No.	Part No.	Description	Remark
S \triangle	1	9-910-001-47	LOADING COMPLETE ASSY	
U	2	A-1203-908-A	LOADING BLOCK ASSY	
S	3	2-894-364-02	SPRING (MD), LEAF	
S	4	3-948-339-12	SCREW, TAPPING	
U	5	3-074-552-02	0 PLATE 2 MAIN 2X5 S TITE	
S	6	1-834-594-11	CABLE, FLEXIBLE FLAT (FFC-60)	
S	7	2-698-708-02	CUSHION (PWB)	
S	8	\square A-1267-249-A	BMD-001 COMPL (SERVICE)	
S	9	X-2177-119-1	SHIELD ASSY (MD)	

• LOADING COMPLETE ASSY (1.5G)

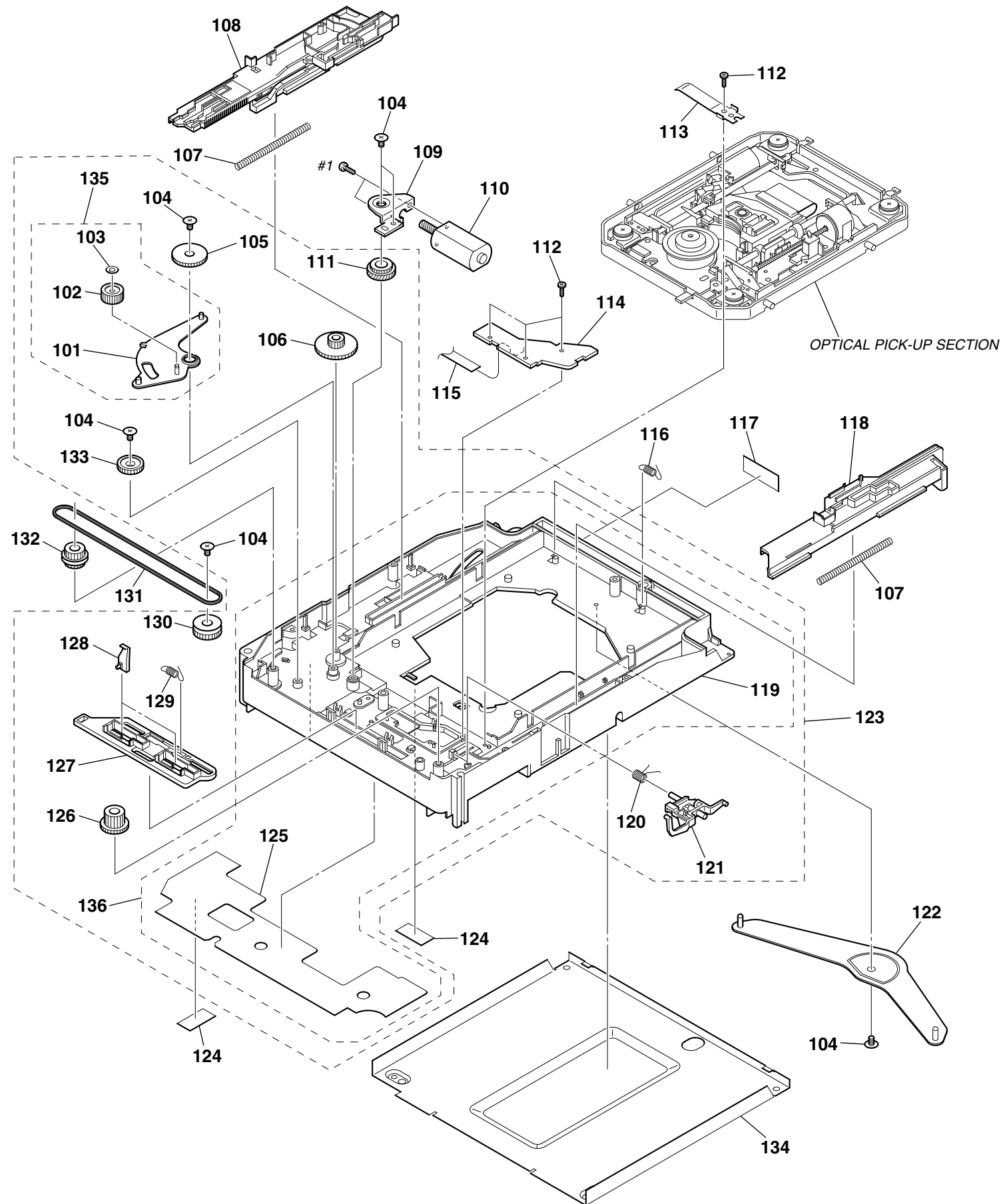
SC	Ref. No.	Part No.	Description	Remark
S \triangle	1	A-1433-712-A	LOADING COMPLETE ASSY (1.5G)	
U	2	A-1203-908-A	LOADING BLOCK ASSY	
S	3	2-894-364-02	SPRING (MD), LEAF	
S	4	3-948-339-12	SCREW, TAPPING	
U	5	3-074-552-02	0 PLATE 2 MAIN 2X5 S TITE	
S	6	1-834-594-11	CABLE, FLEXIBLE FLAT (FFC-60)	
S	7	2-698-708-02	CUSHION (PWB)	
S	8	\square A-1433-743-A	BMD-002 COMPL (SERVICE)	
S	9	X-2177-119-1	SHIELD ASSY (MD)	

3-2. LOADING BLOCK ASSY SECTION



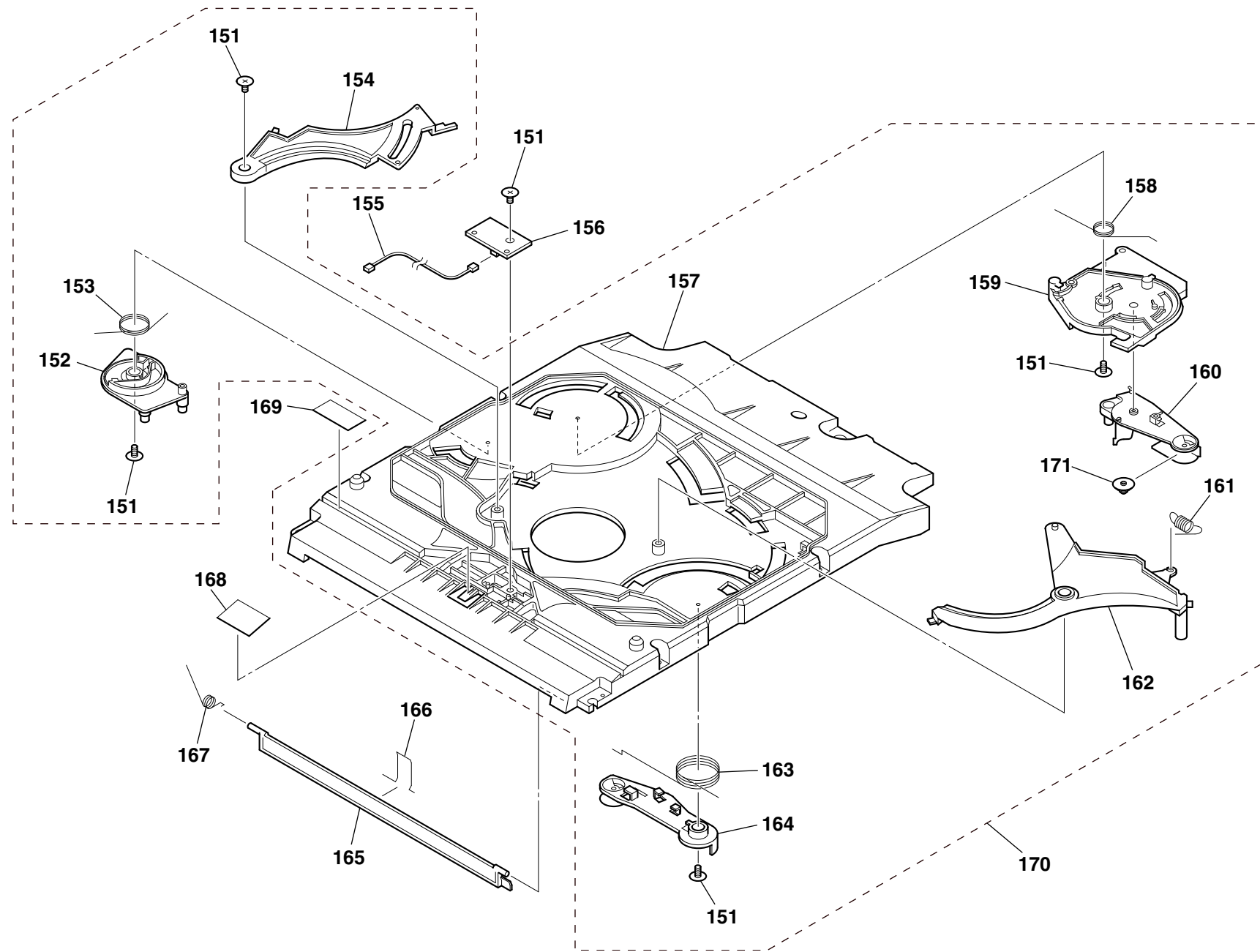
SC	Ref. No.	Part No.	Description	Remark
S	51	9-910-001-52	COVER ASSY, TOP	
U	52	2-698-683-01	YOKE (CHUCK PULLEY)	
U	53	1-471-407-11	MAGNET	
U	54	2-698-682-02	PULLEY, CHUCK	
S	55	3-948-339-12	SCREW, TAPPING	
S	56	A-1204-033-A	FRAME COMPLETE ASSY, TOP	
S	57	2-647-360-61	SCREW (B2), TAPPING	
S	58	A-1204-035-C	ARM ASSY, FRONT	
U	59	A-1203-909-A	FRAME COMPLETE ASSY, BASE	
S	60	2-888-817-01	LABEL, LASER CAUTION	
S	61	3-069-212-01	TAPE, HARNESS STOPPER	
S	62	A-1204-038-B	PULLEY ASSY, CHUCK	

3-3. BASE FRAME COMPLETE ASSY SECTION



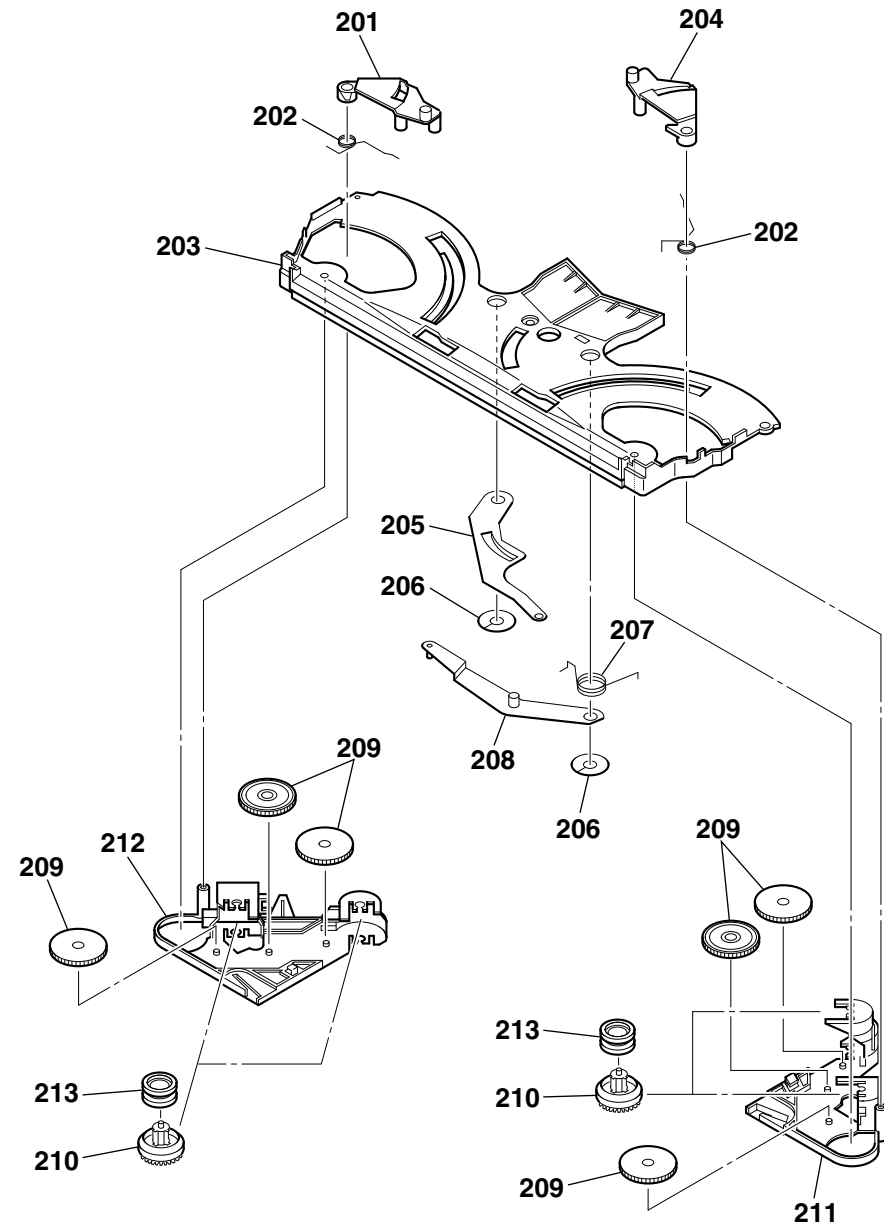
SC	Ref. No.	Part No.	Description	Remark
U	101	X-2149-112-1	ARM SUB ASSY, SWING	
U	102	2-698-620-01	GEAR (SWING ARM)	
U	103	2-698-633-01	WASHER (GEAR)	
S	104	2-059-635-11	SCREW	
U	105	2-698-466-01	GEAR (A)	
U	106	2-698-467-01	GEAR (CAM DRIVING)	
U	107	2-698-652-01	SPRING (SLIDE CAM), COMPRESSION	
S	108	2-698-624-02	CAM (L), SLIDE	
S	109	2-698-629-01	BRACKET, MOTOR	
S	110	X-2149-103-1	MOTOR ASSY, LOADING	
U	111	2-698-465-01	WHEEL, WORM	
U	112	2-647-360-61	SCREW (B2), TAPPING	
U	113	2-698-630-01	SPRING (BU HOLDER), LEAF	
S	114	A-1267-250-A	BL1-001 COMPL (SERVICE)	
S	115	1-833-249-11	CABLE, FLEXIBLE FLAT (FFC-014)	
U	116	2-698-653-01	SPRING (BU HOLDER), EXTENSION	
S	117	2-890-570-01	LABEL, SERIAL NUMBER	
S	118	2-698-625-02	CAM (R), SLIDE	
U	119	2-698-626-02	FRAME, BASE	
U	120	2-698-664-01	SPRING (SHUTTER ARM), TORSION	
U	121	2-698-623-01	ARM, SHUTTER	
S	122	2-698-628-01	ARM, LINK	
S	123	A-1203-919-D	BASE FRAME ASSY	
S	124	3-069-212-01	TAPE, HARNESS STOPPER	
U	125	2-698-631-02	SHEET (BASE FRAME)	
U	126	2-698-617-01	GEAR (SHAFT R)	
U	127	2-698-621-01	SLIDER (SHUTTER), LOCK	
U	128	2-698-622-01	LEVER (SHUTTER), LOCK	
U	129	2-698-654-02	SPRING (LOCK SLIDER), EXTENSION	
U	130	2-698-618-01	GEAR (BELT)	
S	131	2-698-651-01	BELT (FRONT ARM)	
S	132	2-698-650-01	GEAR (SHAFT L)	
U	133	2-698-619-01	GEAR (IDLER)	
S	134	2-698-666-01	COVER, BOTTOM	
S	135	A-1203-920-A	ARM ASSY, SWING	
U	136	A-1204-032-B	FRAME SUB ASSY, BASE	
S	#1	7-627-554-38	SCREW, PRECISION +P 2X1.8 TYPE1	

3-4. TOP FRAME COMPLETE ASSY SECTION



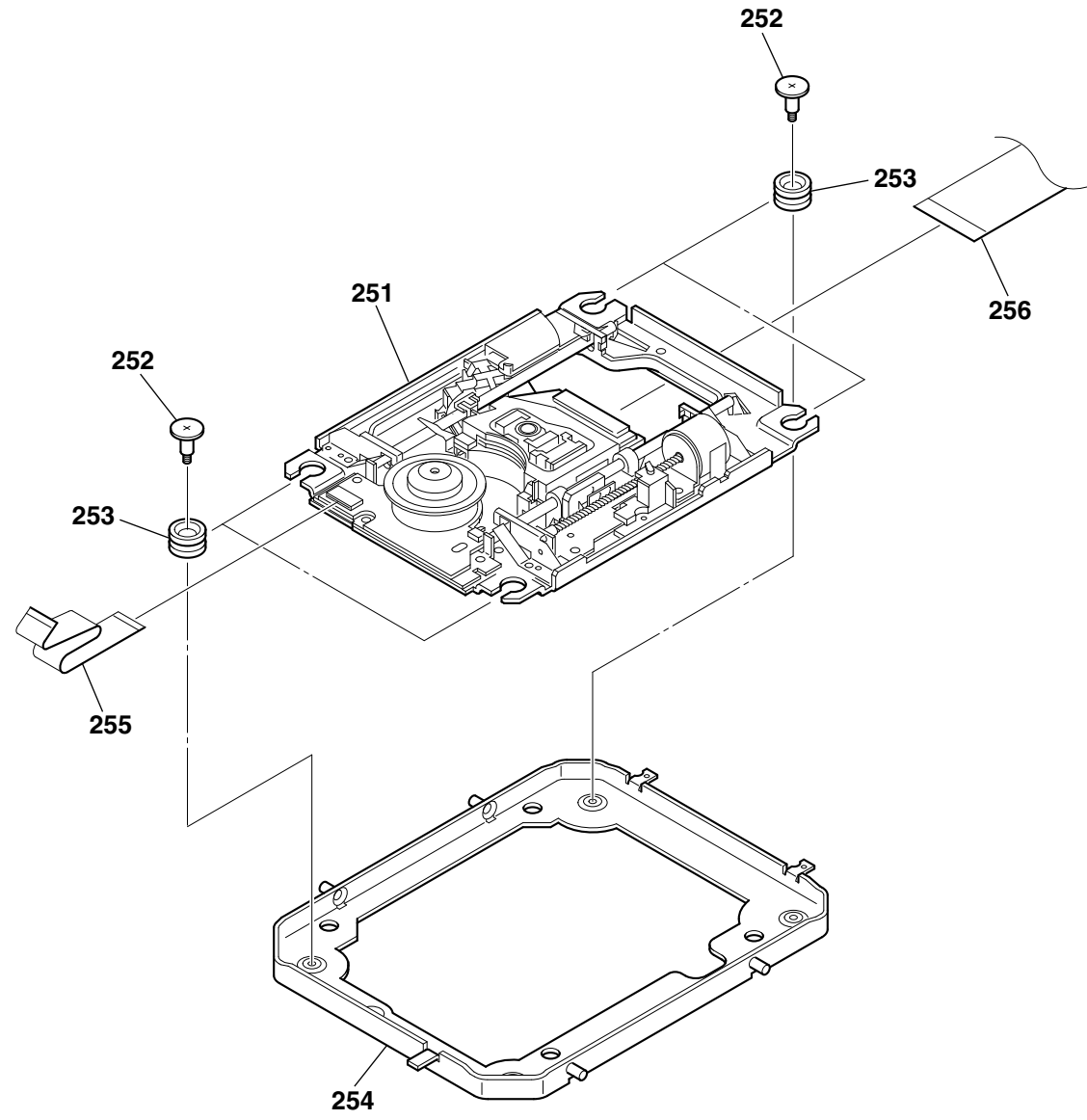
SC	Ref. No.	Part No.	Description	Remark
S	151	2-059-635-11	SCREW	
U	152	2-698-660-02	ARM (REAR GUIDE), LOCK	
U	153	2-698-686-01	SPRING (LOCK ARM), TORSION	
U	154	2-698-656-02	ARM (L), CHUCK	
S	155	1-964-978-11	HARNESS, 2PIN CONNECTOR (LED)	
U	156	A-1205-601-A	BL2-001 COMPL	
U	157	2-698-655-03	FRAME, TOP	
U	158	2-699-485-01	SPRING (REAR GUIDE ARM), TORSION	
U	159	2-698-661-02	ARM, REAR GUIDE	
U	160	2-889-123-03	ARM (A), DETECTION	
U	161	2-698-687-01	SPRING (CHUCK ARM), EXTENSION	
U	162	2-698-657-04	ARM (R), CHUCK	
U	163	2-698-685-01	SPRING (SUPPORT ARM), TORSION	
U	164	2-698-658-01	ARM, SUPPORT	
U	165	2-698-663-01	SHUTTER	
U	166	2-889-118-01	HOOK (SHUTTER)	
U	167	2-698-665-01	SPRING (SHUTTER), TORSION	
U	168	2-889-128-02	SHEET, FRAME TOP	
S	169	3-069-212-01	TAPE, HARNESS STOPPER	
U	170	A-1204-034-H	FRAME ASSY, TOP	
U	171	2-698-662-01	ROLLER (REAR GUIDE)	

3-5. FRONT ARM ASSY SECTION



SC	Ref. No.	Part No.	Description	Remark
U	201	2-698-697-02	LOCK (FRONT ARM L)	
U	202	2-698-699-03	SPRING (LOCK FA), TORSION	
U	203	2-698-688-04	BRACKET (FRONT ARM)	
U	204	2-698-698-02	LOCK (FRONT ARM R)	
U	205	2-698-694-01	ARM (FB), LINK	
U	206	2-698-633-01	WASHER (GEAR)	
U	207	2-698-710-01	SPRING (FRONT ARM), TORSION	
U	208	2-698-693-01	ARM (FA), LINK	
U	209	2-698-691-02	GEAR (FRONT ARM)	
U	210	2-698-692-02	GEAR (ROLLER)	
U	211	2-698-690-02	ARM (R), FRONT	
U	212	2-698-689-02	ARM (L), FRONT	
U	213	2-698-695-02	ROLLER, RUBBER	

3-6. OPTICAL PICK-UP SECTION



SC	Ref. No.	Part No.	Description	Remark
S/△	251	8-820-372-03	DEVICE, OPTICAL KEM400AAA/J1NP1	
S	252	2-698-669-01	SCREW, STEP	
S	253	2-698-668-01	INSULATOR	
S	254	2-698-627-01	HOLDER, BU	
S	255	1-833-247-11	CABLE, FLEXIBLE FLAT (FFC-019)	
S	256	1-833-248-13	CABLE, FLEXIBLE FLAT (FFC-045)	

<p>The components identified by mark 0 or dotted line with mark 0 are critical for safety. Replace only with part number specified.</p>	<p>Les composants identifiés par une marque 0 sont critiques pour la sécurité. Ne les remplacer que par une pièce portant le numéro spécifié.</p>
---	---

**SECTION 4
ELECTRICAL PARTS LIST**

- NOTE:**
- Due to standardization, replacements in the parts list may be different from the parts specified in the diagrams or the components used on the set.
 - **RESISTORS**
METAL: Metal-film resistor.
F: nonflammable
 - **SEMICONDUCTORS**
In each case, u : μ , for example:
uA... : μ A... uPA... : μ PA...
uPB... : μ PB... uPC... : μ PC... uPD... : μ PD...
 - **CAPACITORS**
uF : μ F
 - **COILS**
uH : μ H

The components identified by mark \triangle or dotted line with mark \triangle are critical for safety. Replace only with part number specified.

Les composants identifiés par une marque \triangle sont critiques pour la sécurité. Ne les remplacer que par une pièce portant le numéro spécifié.

When indicating parts by reference number, please include the board.

SPECIAL COMPONENT NOTICE

The components identified by mark \square contain confidential information. Strictly follow the instructions whenever the components are repaired and/or replaced.

- NOTE:**
- SC Classification:
S : Supplied parts
U : Unsupplied parts

SC	Ref. No.	Part No.	Description	Remark	SC	Ref. No.	Part No.	Description	Remark	SC	Ref. No.	Part No.	Description	Remark
S		A-1267-250-A	BL1-001 COMPL (SERVICE) *****		U	C106		CERAMIC CHIP 0.001uF 10% 50V		U	C196		CERAMIC CHIP 100PF 5% 50V	
			< CONNECTOR >		U	C107		CERAMIC CHIP 47uF 20% 6.3V		U	C197		CERAMIC CHIP 0.1uF 10% 10V	
U	CN100		CONNECTOR, FFC/FPC (ZIF) 14P		U	C108		CERAMIC CHIP 0.1uF 10% 10V		U	C198		CERAMIC CHIP 10uF 10% 16V	
U	CN101		CONNECTOR 2P		U	C109		CERAMIC CHIP 0.1uF 10% 10V		U	C199		CERAMIC CHIP 100PF 5% 50V	
			< TRANSISTOR >		U	C110		CERAMIC CHIP 0.1uF 20% 16V		U	C200		CERAMIC CHIP 0.1uF 10% 10V	
U	Q100		TRANSISTOR 2SC4081T106Q		U	C113		CERAMIC CHIP 0.1uF 10% 10V		U	C203		CERAMIC CHIP 0.1uF 10% 10V	
U	Q101		PHOTO SENSOR CPT-184S-C-TU-BCD		U	C114		SHORT CHIP 0		U	C206		CERAMIC CHIP 0.1uF 10% 10V	
			< RESISTOR >		U	C115		CERAMIC CHIP 0.1uF 20% 16V		U	C207		CERAMIC CHIP 0.001uF 10% 50V	
U	R107		METAL CHIP 100K 0.5% 1/16W		U	C117		CERAMIC CHIP 0.1uF 20% 16V		U	C209		CERAMIC CHIP 0.022uF 10% 16V	
U	R109		METAL CHIP 1K 0.5% 1/16W		U	C119		CERAMIC CHIP 0.1uF 20% 16V		U	C213		CERAMIC CHIP 0.1uF 10% 10V	
U	R111		METAL CHIP 10K 0.5% 1/16W		U	C126		CERAMIC CHIP 2.2uF 20% 16V		U	C215		CERAMIC CHIP 0.1uF 10% 10V	
			< SWITCH >		U	C133		CERAMIC CHIP 22uF 20% 16V		U	C217		CERAMIC CHIP 0.1uF 10% 10V	
U	S100		SWITCH, PUSH (1 KEY)		U	C135		CERAMIC CHIP 0.1uF 20% 16V		U	C218		CERAMIC CHIP 0.1uF 10% 10V	
U	S101		SWITCH, PUSH (1 KEY)		U	C136		CERAMIC CHIP 470PF 10% 50V		U	C219		CERAMIC CHIP 0.1uF 10% 10V	
U	S102		SWITCH, PUSH (1 KEY)		U	C139		CERAMIC CHIP 0.01uF 10% 25V		U	C221		CERAMIC CHIP 0.1uF 10% 10V	
			*****		U	C140		CERAMIC CHIP 0.01uF 10% 25V		U	C222		CERAMIC CHIP 0.1uF 10% 10V	
U			BL2-001 COMPL *****		U	C141		CERAMIC CHIP 0.01uF 10% 25V		U	C223		CERAMIC CHIP 0.22uF 10% 6.3V	
			< CONNECTOR >		U	C144		CERAMIC CHIP 0.1uF 10% 10V		U	C224		CERAMIC CHIP 0.1uF 10% 10V	
U	CN200		PIN, CONNECTOR 2P		U	C154		CERAMIC CHIP 0.01uF 10% 25V		U	C225		CERAMIC CHIP 100PF 5% 50V	
			< DIODE >		U	C155		CERAMIC CHIP 0.1uF 20% 16V		U	C226		CERAMIC CHIP 0.1uF 10% 10V	
U	D200		LED CL-200IR-X-TU		U	C156		CERAMIC CHIP 0.1uF 20% 16V		U	C227		CERAMIC CHIP 0.1uF 10% 10V	
			< RESISTOR >		U	C157		CERAMIC CHIP 0.1uF 10% 10V		U	C228		CERAMIC CHIP 0.1uF 10% 10V	
U	R200		METAL CHIP 220 0.5% 1/16W		U	C158		CERAMIC CHIP 0.1uF 20% 16V		U	C232		CERAMIC CHIP 0.1uF 10% 10V	
			*****		U	C161		CERAMIC CHIP 0.1uF 20% 16V		U	C233		CERAMIC CHIP 0.1uF 10% 10V	
S		\square A-1267-249-A	BMD-001 COMPL (SERVICE) *****		U	C162		CERAMIC CHIP 10uF 10% 16V		U	C234		CERAMIC CHIP 0.1uF 10% 10V	
			< CAPACITOR >		U	C175		CERAMIC CHIP 0.01uF 10% 25V		U	C235		CERAMIC CHIP 0.1uF 10% 10V	
U	C101		CERAMIC CHIP 0.1uF 10% 10V		U	C176		CERAMIC CHIP 0.1uF 10% 10V		U	C236		CERAMIC CHIP 0.1uF 10% 10V	
U	C102		CERAMIC CHIP 0.1uF 10% 10V		U	C177		CERAMIC CHIP 0.1uF 10% 10V		U	C237		CERAMIC CHIP 100PF 5% 50V	
U	C103		CERAMIC CHIP 0.001uF 10% 50V		U	C178		CERAMIC CHIP 0.1uF 10% 10V		U	C238		CERAMIC CHIP 22uF 20% 16V	
U	C104		CERAMIC CHIP 0.001uF 10% 50V		U	C179		CERAMIC CHIP 0.1uF 10% 10V		U	C239		CERAMIC CHIP 0.1uF 10% 10V	
U	C105		CERAMIC CHIP 0.001uF 10% 50V		U	C180		CERAMIC CHIP 0.1uF 10% 10V		U	C240		CERAMIC CHIP 0.1uF 10% 10V	
			*****		U	C181		CERAMIC CHIP 0.1uF 10% 10V		U	C241		CERAMIC CHIP 0.1uF 10% 10V	
			*****		U	C182		CERAMIC CHIP 0.1uF 10% 10V		U	C242		CERAMIC CHIP 0.1uF 10% 10V	
			*****		U	C183		CERAMIC CHIP 0.1uF 10% 10V		U	C243		ELECT CHIP 220uF 20% 16V	
			*****		U	C184		CERAMIC CHIP 0.1uF 10% 10V		U	C244		CERAMIC CHIP 0.001uF 10% 50V	
			*****		U	C185		CERAMIC CHIP 0.1uF 10% 10V		U	C250		CERAMIC CHIP 0.1uF 10% 10V	
			*****		U	C186		CERAMIC CHIP 0.1uF 10% 10V		U	C251		CERAMIC CHIP 0.1uF 10% 10V	
			*****		U	C187		CERAMIC CHIP 0.1uF 10% 10V		U	C254		CERAMIC CHIP 0.1uF 10% 10V	
			*****		U	C188		CERAMIC CHIP 0.001uF 10% 50V		U	C273		CERAMIC CHIP 0.1uF 10% 10V	
			*****		U	C189		CERAMIC CHIP 0.1uF 10% 10V		U	C300		CERAMIC CHIP 0.1uF 10% 10V	
			*****		U	C190		CERAMIC CHIP 47PF 5% 50V		U	C301		CERAMIC CHIP 0.1uF 10% 10V	
			*****		U	C191		CERAMIC CHIP 47PF 5% 50V		U	C302		CERAMIC CHIP 0.1uF 10% 10V	
			*****		U	C192		CERAMIC CHIP 100PF 5% 50V		U	C303		CERAMIC CHIP 0.1uF 10% 10V	
			*****		U	C193		CERAMIC CHIP 100PF 5% 50V		U	C304		CERAMIC CHIP 0.33uF 20% 10V	
			*****		U	C194		CERAMIC CHIP 0.01uF 10% 25V		U	C306		CERAMIC CHIP 0.1uF 10% 10V	
			*****		U	C195		CERAMIC CHIP 0.1uF 10% 10V		U	C307		CERAMIC CHIP 470PF 10% 50V	
			*****		U	C196		CERAMIC CHIP 0.1uF 10% 10V		U	C308		CERAMIC CHIP 0.1uF 10% 10V	
			*****		U	C197		CERAMIC CHIP 0.1uF 10% 10V		U	C310		CERAMIC CHIP 0.0068uF 10% 16V	
			*****		U	C198		CERAMIC CHIP 10uF 10% 16V		U	C311		CERAMIC CHIP 0.1uF 10% 10V	
			*****		U	C199		CERAMIC CHIP 100PF 5% 50V		U	C312		CERAMIC CHIP 0.001uF 10% 50V	
			*****		U	C200		CERAMIC CHIP 0.1uF 10% 10V		U	C313		CERAMIC CHIP 0.001uF 10% 50V	
			*****		U	C203		CERAMIC CHIP 0.1uF 10% 10V		U	C314		CERAMIC CHIP 0.01uF 10% 25V	
			*****		U	C206		CERAMIC CHIP 0.1uF 10% 10V		U	C315		CERAMIC CHIP 0.1uF 10% 10V	
			*****		U	C207		CERAMIC CHIP 0.001uF 10% 50V		U	C316		CERAMIC CHIP 0.1uF 10% 10V	
			*****		U	C209		CERAMIC CHIP 0.022uF 10% 16V		U	C317		CERAMIC CHIP 0.1uF 10% 10V	
			*****		U	C213		CERAMIC CHIP 0.1uF 10% 10V		U	C318		CERAMIC CHIP 0.1uF 10% 10V	
			*****		U	C215		CERAMIC CHIP 0.1uF 10% 10V		U	C319		CERAMIC CHIP 0.1uF 10% 10V	
			*****		U	C217		CERAMIC CHIP 0.1uF 10% 10V		U	C320		CERAMIC CHIP 0.1uF 10% 10V	
			*****		U	C218		CERAMIC CHIP 0.1uF 10% 10V		U	C321		CERAMIC CHIP 0.1uF 10% 10V	
			*****		U	C219		CERAMIC CHIP 0.1uF 10% 10V		U	C322		CERAMIC CHIP 0.22uF 10% 6.3V	
			*****		U	C221		CERAMIC CHIP 0.1uF 10% 10V		U	C323		CERAMIC CHIP 0.1uF 10% 10V	
			*****		U	C222		CERAMIC CHIP 0.1uF 10% 10V		U	C324		CERAMIC CHIP 0.1uF 10% 10V	
			*****		U	C223		CERAMIC CHIP 0.22uF 10% 6.3V		U	C325		CERAMIC CHIP 10uF 20% 16V	
			*****		U	C224		CERAMIC CHIP 0.1uF 10% 10V		U	C326		CERAMIC CHIP 0.1uF 10% 10V	
			*****		U	C225		CERAMIC CHIP 100PF 5% 50V		U	C327		CERAMIC CHIP 22PF 5% 50V	
			*****		U	C226		CERAMIC CHIP 0.1uF 10% 10V		U	C328		CERAMIC CHIP 22PF 5% 50V	
			*****		U	C227		CERAMIC CHIP 0.1uF 10% 10V		U	C329		CERAMIC CHIP 0.1uF 10% 10V	
			*****		U	C228		CERAMIC CHIP 0.1uF 10% 10V		U	C330		CERAMIC CHIP 22PF 5% 50V	
			*****		U	C232		CERAMIC CHIP 0.1uF 10% 10V		U	C331		CERAMIC CHIP 220PF 10% 50V	
			*****		U	C233		CERAMIC CHIP 0.1uF 10% 10V		U	C332		CERAMIC CHIP 220PF 10% 50V	
			*****		U	C234		CERAMIC CHIP 0.1uF 10% 10V		U	C333		CERAMIC CHIP 0.022uF 10% 16V	
			*****		U	C235		CERAMIC CHIP 0.1uF 10% 10V		U	C334		CERAMIC CHIP 0.1uF 10% 10V	
			*****		U	C236		CERAMIC CHIP 0.1uF 10% 10V		U	C335		CERAMIC CHIP 0.0047uF 10% 50V	
			*****		U	C237		CERAMIC CHIP 100PF 5% 50V		U	C336		CERAMIC CHIP 0.1uF 10% 10V	
			*****		U	C238		CERAMIC CHIP 22uF 20% 16V		U	C340		CERAMIC CHIP 220PF 10% 50V	
			*****		U	C239		CERAMIC CHIP 0.1uF 10% 10V		U	C341		CERAMIC CHIP 0.0015uF 10% 50V	
			*****		U	C240		CERAMIC CHIP 0.1uF 10% 10V		U	C342		CERAMIC CHIP 0.0033uF 10% 16V	
			*****		U	C241		CERAMIC CHIP 0.1uF 10% 10V		U	C343		CERAMIC CHIP 0.1uF 10% 10V	
			*****		U	C242		CERAMIC CHIP 0.1uF 10% 10V		U	C345		CERAMIC CHIP 0.1uF 10% 10V	
			*****		U	C243		ELECT CHIP 220uF 20% 16V		U	C348		CERAMIC CHIP 0.1uF 10% 10V	
			*****		U	C244		CERAMIC CHIP 0.001uF 10% 50V		U	C349		CERAMIC CHIP 0.1uF 10% 10V	
			*****		U	C250		CERAMIC CHIP 0.1uF 10% 10V		U	C350		CERAMIC CHIP 0.1uF 10% 10V	
			*****		U	C251								

SC	Ref. No.	Part No.	Description	Remark	SC	Ref. No.	Part No.	Description	Remark	SC	Ref. No.	Part No.	Description	Remark	SC	Ref. No.	Part No.	Description	Remark
U	C395		CERAMIC CHIP 15PF 5% 50V		U	C557		CERAMIC CHIP 0.1uF 10% 10V		U	C616		CERAMIC CHIP 100PF 5% 50V					< FILTER >	
U	C396		CERAMIC CHIP 15PF 5% 50V		U	C558		CERAMIC CHIP 0.1uF 10% 10V		U	C617		CERAMIC CHIP 0.1uF 10% 10V						
U	C399		CERAMIC CHIP 0.1uF 10% 10V		U	C559		CERAMIC CHIP 0.1uF 10% 10V		U	C620		CERAMIC CHIP 0.1uF 10% 10V		U	FL103		FILTER, EMI REMOVAL (SMD)	
U	C400		CERAMIC CHIP 0.1uF 10% 10V		U	C560		CERAMIC CHIP 0.1uF 10% 10V		U	C621		CERAMIC CHIP 0.1uF 10% 10V		U	FL104		FILTER, EMI REMOVAL (SMD)	
U	C401		CERAMIC CHIP 0.0068uF 10% 16V		U	C561		CERAMIC CHIP 0.1uF 10% 10V		U	C622		CERAMIC CHIP 0.1uF 10% 10V		U	FL500		FILTER, EMI REMOVAL (SMD)	
U	C402		CERAMIC CHIP 0.0068uF 10% 16V		U	C562		CERAMIC CHIP 0.1uF 10% 10V		U	C623		CERAMIC CHIP 0.1uF 10% 10V		U	FL501		FILTER, EMI REMOVAL (SMD)	
U	C450		CERAMIC CHIP 100PF 5% 50V		U	C563		CERAMIC CHIP 0.1uF 10% 10V		U	C624		CERAMIC CHIP 0.1uF 10% 10V		U	FL502		FILTER, EMI REMOVAL (SMD)	
U	C451		CERAMIC CHIP 100PF 5% 50V		U	C564		CERAMIC CHIP 0.1uF 10% 10V		U	C625		CERAMIC CHIP 0.1uF 10% 10V		U	FL503		FILTER, EMI REMOVAL (SMD)	
U	C452		CERAMIC CHIP 100PF 5% 50V		U	C565		CERAMIC CHIP 0.1uF 10% 10V		U	C626		CERAMIC CHIP 0.1uF 10% 10V					< IC >	
U	C453		CERAMIC CHIP 100PF 5% 50V		U	C566		CERAMIC CHIP 0.1uF 10% 10V		U	C627		CERAMIC CHIP 0.1uF 10% 10V						
U	C454		CERAMIC CHIP 100PF 5% 50V		U	C567		CERAMIC CHIP 0.1uF 10% 10V		U	C628		CERAMIC CHIP 0.1uF 10% 10V		U	IC103		IC BD7956FS-E2	
U	C455		CERAMIC CHIP 0.1uF 10% 10V		U	C568		CERAMIC CHIP 0.1uF 10% 10V		U	C629		CERAMIC CHIP 0.1uF 10% 10V		U	IC108		IC BA5888FP-E2	
U	C456		CERAMIC CHIP 100PF 5% 50V		U	C569		CERAMIC CHIP 0.1uF 10% 10V		U	C630		CERAMIC CHIP 0.1uF 10% 10V		U	IC110		IC CXA2720R-TL	
U	C457		CERAMIC CHIP 0.1uF 10% 10V		U	C570		CERAMIC CHIP 0.1uF 10% 10V		U	C631		CERAMIC CHIP 0.1uF 10% 10V		U	IC300		IC CXD5063GG-1	
U	C458		CERAMIC CHIP 0.1uF 10% 10V		U	C571		CERAMIC CHIP 0.1uF 10% 10V		U	C632		CERAMIC CHIP 0.1uF 10% 10V		U	IC303		IC NJM13403V(Te2)	
U	C460		CERAMIC CHIP 100PF 5% 50V		U	C572		CERAMIC CHIP 0.1uF 10% 10V		U	C633		CERAMIC CHIP 0.1uF 10% 10V		U	IC304		IC	
U	C500		CERAMIC CHIP 1uF 10% 6.3V		U	C573		CERAMIC CHIP 0.1uF 10% 10V		U	C634		CERAMIC CHIP 0.1uF 10% 10V		U	IC309		IC K4S641632K-JC75T	
U	C501		CERAMIC CHIP 0.47uF 10% 6.3V		U	C574		CERAMIC CHIP 0.1uF 10% 10V		U	C635		CERAMIC CHIP 0.1uF 10% 10V		U	IC310		IC MX25L1005MC-12G	
U	C503		CERAMIC CHIP 100PF 5% 50V		U	C575		CERAMIC CHIP 0.1uF 10% 10V		U	C636		CERAMIC CHIP 0.1uF 10% 10V		U	IC500		IC PST3629UL	
U	C504		CERAMIC CHIP 100uF 20% 6.3V		U	C576		CERAMIC CHIP 0.1uF 10% 10V		U	C637		CERAMIC CHIP 0.1uF 10% 10V		U	IC501		IC PST3814UL	
U	C505		CERAMIC CHIP 1uF 10% 16V		U	C577		CERAMIC CHIP 0.1uF 10% 10V		U	C638		CERAMIC CHIP 0.1uF 10% 10V		U	IC503		IC TPS64201DBVRG4	
U	C506		CERAMIC CHIP 10uF 20% 16V		U	C578		CERAMIC CHIP 0.1uF 10% 10V		U	C639		CERAMIC CHIP 0.1uF 10% 10V		U	IC504		IC CXD5064R-T6	
U	C507		CERAMIC CHIP 22uF 20% 16V		U	C579		CERAMIC CHIP 0.1uF 10% 10V		U	C640		CERAMIC CHIP 0.1uF 10% 10V		U	IC506		IC MM3292FNRE	
U	C508		CERAMIC CHIP 0.1uF 10% 10V		U	C580		CERAMIC CHIP 0.1uF 10% 10V		U	C641		CERAMIC CHIP 0.1uF 10% 10V		U	IC507		IC TC7WH74FK(Te85R)	
U	C509		CERAMIC CHIP 0.1uF 10% 10V		U	C581		CERAMIC CHIP 0.1uF 10% 10V		U	C642		CERAMIC CHIP 0.1uF 10% 10V		U	IC508		IC TPS64203DBVRG4	
U	C510		CERAMIC CHIP 0.1uF 10% 10V		U	C583		CERAMIC CHIP 0.1uF 10% 10V		U	C643		CERAMIC CHIP 0.1uF 10% 10V		U	IC509		IC BD7800FP-E2	
U	C512		CERAMIC CHIP 0.22uF 10% 6.3V		U	C584		CERAMIC CHIP 0.1uF 10% 10V		U	C644		CERAMIC CHIP 0.1uF 10% 10V					< COIL >	
U	C523		CERAMIC CHIP 1uF 20% 6.3V		U	C585		CERAMIC CHIP 0.1uF 10% 10V		U	C645		CERAMIC CHIP 0.1uF 10% 10V		U	L100		COIL, CHOKE 150uH	
U	C527		CERAMIC CHIP 0.1uF 10% 10V		U	C586		CERAMIC CHIP 0.1uF 10% 10V		U	C646		CERAMIC CHIP 0.1uF 10% 10V		U	L101		COIL, CHOKE 10uH	
U	C528		CERAMIC CHIP 0.1uF 10% 10V		U	C587		CERAMIC CHIP 0.1uF 10% 10V		U	C647		CERAMIC CHIP 0.1uF 10% 10V		U	L103		COIL, CHOKE 4.7uH	
U	C529		CERAMIC CHIP 0.1uF 10% 10V		U	C588		CERAMIC CHIP 0.1uF 10% 10V		U	C648		CERAMIC CHIP 1uF 10% 6.3V		U	L500		COIL, CHOKE 10uH	
U	C530		CERAMIC CHIP 0.1uF 10% 10V		U	C589		CERAMIC CHIP 0.1uF 10% 10V		U	C649		CERAMIC CHIP 1uF 10% 6.3V		U	L503		COIL, CHOKE 10uH	
U	C531		CERAMIC CHIP 0.1uF 10% 10V		U	C590		CERAMIC CHIP 0.1uF 10% 10V		U	C650		CERAMIC CHIP 0.1uF 10% 16V						
U	C532		CERAMIC CHIP 0.1uF 10% 10V		U	C591		CERAMIC CHIP 0.1uF 10% 10V		U	C651		CERAMIC CHIP 0.1uF 10% 16V						
U	C533		CERAMIC CHIP 0.1uF 10% 10V		U	C592		CERAMIC CHIP 0.1uF 10% 10V		U	C652		CERAMIC CHIP 0.1uF 10% 10V		U	L506		COIL, CHOKE 1uH	
U	C534		CERAMIC CHIP 0.1uF 10% 10V		U	C593		CERAMIC CHIP 0.1uF 10% 10V							U	L507		COIL, CHOKE 4.7uH	
U	C535		CERAMIC CHIP 0.1uF 10% 10V		U	C594		CERAMIC CHIP 0.1uF 10% 10V							U	L508		COIL, CHOKE 4.7uH	
U	C536		CERAMIC CHIP 0.1uF 10% 10V		U	C595		CERAMIC CHIP 0.1uF 10% 10V							U	L509		COIL, CHOKE 4.7uH	
U	C537		CERAMIC CHIP 0.1uF 10% 10V		U	C596		CERAMIC CHIP 0.1uF 10% 10V		U	△ CN100		CONNECTOR, FFC/FPC (ZIF) 19P		U	L510		INDUCTOR (EMI FERRITE) (2012)	
U	C538		CERAMIC CHIP 0.1uF 10% 10V		U	C597		CERAMIC CHIP 0.1uF 10% 10V		U	△ CN101		CONNECTOR, FFC/FPC (ZIF) 14P						
U	C539		CERAMIC CHIP 0.1uF 10% 10V		U	C598		CERAMIC CHIP 0.1uF 10% 10V		U	△ CN102		CONNECTOR, FFC/FPC (ZIF) 8P		U	L511		INDUCTOR (EMI FERRITE) (2012)	
U	C540		CERAMIC CHIP 0.1uF 10% 10V		U	C599		CERAMIC CHIP 0.1uF 10% 10V		U	△ CN103		CONNECTOR, FFC/FPC (ZIF) 45P		U	L514		INDUCTOR (EMI FERRITE) (2012)	
U	C541		CERAMIC CHIP 0.1uF 10% 10V		U	C600		CERAMIC CHIP 0.1uF 10% 10V		U	△ CN104		PIN, CONNECTOR 2P					< TRANSISTOR >	
U	C542		CERAMIC CHIP 0.1uF 10% 10V		U	C601		CERAMIC CHIP 0.1uF 10% 10V		U	△ CN301		CONNECTOR, FFC/FPC (ZIF) 60P		U	Q102		FET RTR025N03TL	
U	C543		CERAMIC CHIP 0.1uF 10% 10V		U	C602		CERAMIC CHIP 0.1uF 10% 10V		U	△ CN502		PIN, CONNECTOR (PC BOARD) 4P		U	Q103		FET RTR025N03TL	
U	C544		CERAMIC CHIP 0.1uF 10% 10V		U	C603		CERAMIC CHIP 0.1uF 10% 10V							U	Q104		TRANSISTOR UMH4NTN	
U	C545		CERAMIC CHIP 0.1uF 10% 10V		U	C604		CERAMIC CHIP 0.1uF 10% 10V							U	Q105		TRANSISTOR DTC144EE-TL	
U	C546		CERAMIC CHIP 0.1uF 10% 10V		U	C605		CERAMIC CHIP 0.1uF 10% 10V		U	D100		DIODE RR264M-400		U	Q106		TRANSISTOR UMH11NTN	
U	C547		CERAMIC CHIP 0.1uF 10% 10V		U	C606		CERAMIC CHIP 1uF 10% 10V		U	D101		DIODE RR264M-400						
U	C548		CERAMIC CHIP 0.1uF 10% 10V		U	C607		CERAMIC CHIP 22uF 20% 10V		U	D500		DIODE DAP202K-T-146		U	Q107		TRANSISTOR DTA143EE-TL	
U	C549		CERAMIC CHIP 0.1uF 10% 10V		U	C608		CERAMIC CHIP 22uF 20% 10V		U	D501		DIODE RB051LA-40TR		U	Q109		TRANSISTOR UMH11NTN	
U	C550		CERAMIC CHIP 0.1uF 10% 10V		U	C609		TANTAL. CHIP 47uF 20% 6.3V		U	D502		DIODE DAP202K-T-146		U	Q500		FET RSQ035P03TR	
U	C551		CERAMIC CHIP 0.1uF 10% 10V		U	C610		ELECT CHIP 100uF 20% 16V							U	Q501		TRANSISTOR DTC144EE-TL	
U	C552		CERAMIC CHIP 0.1uF 10% 10V		U	C611		ELECT CHIP 100uF 20% 6.3V							U	Q502		FET IRF7422D2TRPBF	
U	C553		CERAMIC CHIP 0.1uF 10% 10V		U	C612		ELECT CHIP 100uF 20% 6.3V							U	Q506		TRANSISTOR DTC115EETL	
U	C554		CERAMIC CHIP 0.1uF 10% 10V		U	C613		ELECT CHIP 100uF 20% 6.3V		U	FB301		FERRITE, EMI (SMD) (1608)		U	Q507		FET RTQ035P02TR	
U	C555		CERAMIC CHIP 0.1uF 10% 10V		U	C614		CERAMIC CHIP 1uF 10% 10V		U	FB499		FERRITE, EMI (SMD) (2012)		U	Q508		FET RTQ035P02TR	
U	C556		CERAMIC CHIP 0.1uF 10% 10V		U	C615		CERAMIC CHIP 0.1uF 10% 10V		U	FB527		FERRITE, EMI (SMD)						
										U	FB528		FERRITE, EMI (SMD)						
										U	FB557		FERRITE, EMI (SMD) (2012)						

SC	Ref. No.	Part No.	Description	Remark	SC	Ref. No.	Part No.	Description	Remark	SC	Ref. No.	Part No.	Description	Remark	SC	Ref. No.	Part No.	Description	Remark
			< RESISTOR >		U	R241		METAL CHIP	1 5%	U	R342		METAL CHIP	4.7K 0.5%	U	R418		RES-CHIP	1K 5%
					U	R242		SHORT CHIP	0	U	R343		METAL CHIP	4.7K 0.5%	U	R419		RES-CHIP	82 5%
U	R101		RES-CHIP	68 5% 1/16W	U	R243		METAL CHIP	22 5% 1/10W	U	R344		RES-CHIP	470 5% 1/16W	U	R420		RES-CHIP	82 5% 1/16W
U	R102		RES-CHIP	180 5% 1/16W	U	R244		METAL CHIP	22 5% 1/10W	U	R346		RES-CHIP	1.5K 5% 1/16W	U	R421		RES-CHIP	82 5% 1/16W
U	R104		SHORT CHIP	0	U	R245		METAL CHIP	22 5% 1/10W	U	R348		METAL CHIP	4.7K 0.5% 1/16W	U	R422		RES-CHIP	22 5% 1/16W
U	R105		RES-CHIP	10K 5% 1/16W															
U	R106		RES-CHIP	10K 5% 1/16W	U	R246		METAL CHIP	22 5% 1/10W	U	R349		METAL CHIP	22K 0.5% 1/16W	U	R423		RES-CHIP	82 5% 1/16W
					U	R258		RES-CHIP	680K 5% 1/16W	U	R350		METAL CHIP	22K 0.5% 1/16W	U	R424		SHORT CHIP	0
U	R107		RES-CHIP	47K 5% 1/16W	U	R259		METAL CHIP	5.6 5% 1/3W	U	R351		METAL CHIP	4.7K 0.5% 1/16W	U	R425		RES-CHIP	82 5% 1/16W
U	R108		RES-CHIP	47K 5% 1/16W	U	R260		METAL CHIP	100 5% 1W	U	R352		METAL CHIP	10K 0.5% 1/16W	U	R426		RES-CHIP	82 5% 1/16W
U	R109		RES-CHIP	47K 5% 1/16W	U	R265		METAL CHIP	22K 0.5% 1/16W	U	R354		METAL CHIP	4.7K 0.5% 1/16W	U	R427		RES-CHIP	22 5% 1/16W
U	R110		RES-CHIP	10K 5% 1/16W															
U	R111		SHORT CHIP	0	U	R267		METAL CHIP	22K 0.5% 1/16W	U	R355		SHORT CHIP	0	U	R430		RES-CHIP	82 5% 1/16W
					U	R268		RES-CHIP	10K 5% 1/16W	U	R357		RES-CHIP	4.7K 5% 1/16W	U	R431		RES-CHIP	82 5% 1/16W
U	R112		SHORT CHIP	0	U	R269		RES-CHIP	10K 5% 1/16W	U	R358		METAL CHIP	4.7K 0.5% 1/16W	U	R432		METAL CHIP	4.7K 0.5% 1/16W
U	R114		SHORT CHIP	0	U	R270		RES-CHIP	2.2K 5% 1/16W	U	R359		RES-CHIP	1K 5% 1/16W	U	R433		METAL CHIP	4.7K 0.5% 1/16W
U	R118		SHORT CHIP	0	U	R271		RES-CHIP	100 5% 1/16W	U	R360		RES-CHIP	100 5% 1/16W	U	R434		RES-CHIP	47K 5% 1/16W
U	R119		SHORT CHIP	0															
U	R121		RES-CHIP	10K 5% 1/16W	U	R272		RES-CHIP	100 5% 1/16W	U	R361		METAL CHIP	22K 0.5% 1/16W	U	R435		RES-CHIP	1K 5% 1/16W
					U	R273		RES-CHIP	100 5% 1/16W	U	R363		METAL CHIP	22K 0.5% 1/16W	U	R436		RES-CHIP	1K 5% 1/16W
U	R122		RES-CHIP	100 5% 1/16W	U	R277		RES-CHIP	47K 5% 1/16W	U	R365		SHORT CHIP	0	U	R437		RES-CHIP	1K 5% 1/16W
U	R124		METAL CHIP	12K 0.5% 1/16W	U	R278		RES-CHIP	47K 5% 1/16W	U	R366		METAL CHIP	47K 0.5% 1/16W	U	R438		RES-CHIP	1K 5% 1/16W
U	R126		RES-CHIP	1K 5% 1/16W	U	R282		RES-CHIP	10 5% 1/16W	U	R367		RES-CHIP	100 5% 1/16W	U	R442		RES-CHIP	10K 5% 1/16W
U	R127		SHORT CHIP	0															
U	R129		SHORT CHIP	0	U	R283		RES-CHIP	10 5% 1/16W	U	R368		RES-CHIP	100 5% 1/16W	U	R443		RES-CHIP	10K 5% 1/16W
					U	R284		RES-CHIP	10 5% 1/16W	U	R369		RES-CHIP	100 5% 1/16W	U	R444		METAL CHIP	47K 0.5% 1/16W
U	R133		SHORT CHIP	0	U	R285		RES-CHIP	10 5% 1/16W	U	R370		RES-CHIP	100 5% 1/16W	U	R449		RES-CHIP	47K 5% 1/16W
U	R135		SHORT CHIP	0	U	R288		SHORT CHIP	0	U	R371		RES-CHIP	100 5% 1/16W	U	R452		RES-CHIP	47K 5% 1/16W
U	R136		SHORT CHIP	0	U	R289		SHORT CHIP	0	U	R372		RES-CHIP	100 5% 1/16W	U	R453		RES-CHIP	47K 5% 1/16W
U	R139		METAL CHIP	3.3K 0.5% 1/16W															
U	R163		METAL CHIP	0.33 1% 1/2W	U	R290		SHORT CHIP	0	U	R374		RES-CHIP	47K 5% 1/16W	U	R454		RES-CHIP	47K 5% 1/16W
					U	R291		SHORT CHIP	0	U	R375		RES-CHIP	47K 5% 1/16W	U	R458		SHORT CHIP	0
U	R171		SHORT CHIP	0	U	R292		SHORT CHIP	0	U	R376		RES-CHIP	47K 5% 1/16W	U	R459		RES-CHIP	10K 5% 1/16W
U	R180		METAL CHIP	0.56 5% 1/3W	U	R293		SHORT CHIP	0	U	R377		RES-CHIP	47K 5% 1/16W	U	R460		RES-CHIP	10K 5% 1/16W
U	R181		METAL CHIP	0.56 5% 1/3W	U	R294		SHORT CHIP	0	U	R378		RES-CHIP	47K 5% 1/16W	U	R461		RES-CHIP	100 5% 1/16W
U	R187		METAL CHIP	10K 0.5% 1/16W															
U	R199		SHORT CHIP	0	U	R295		SHORT CHIP	0	U	R379		SHORT CHIP	0	U	R462		RES-CHIP	100 5% 1/16W
					U	R296		SHORT CHIP	0	U	R380		RES-CHIP	4.7K 5% 1/16W	U	R463		RES-CHIP	100K 5% 1/16W
U	R201		SHORT CHIP	0	U	R297		SHORT CHIP	0	U	R381		RES-CHIP	4.7K 5% 1/16W	U	R464		RES-CHIP	10K 5% 1/16W
U	R202		METAL CHIP	12K 0.5% 1/16W	U	R298		SHORT CHIP	0	U	R382		RES-CHIP	4.7K 5% 1/16W	U	R465		RES-CHIP	10K 5% 1/16W
U	R203		METAL CHIP	24K 0.5% 1/16W	U	R299		SHORT CHIP	0	U	R383		RES-CHIP	4.7K 5% 1/16W	U	R470		SHORT CHIP	0
U	R204		RES-CHIP	10K 5% 1/16W															
U	R206		SHORT CHIP	0	U	R300		METAL CHIP	2.2K 0.5% 1/16W	U	R384		RES-CHIP	47K 5% 1/16W	U	R471		SHORT CHIP	0
					U	R301		RES-CHIP	47K 5% 1/16W	U	R386		RES-CHIP	47K 5% 1/16W	U	R498		SHORT CHIP	0
U	R212		METAL CHIP	1.8K 0.5% 1/16W	U	R302		RES-CHIP	47K 5% 1/16W	U	R387		RES-CHIP	47K 5% 1/16W	U	R502		RES-CHIP	10 5% 1/16W
U	R214		RES-CHIP	15K 5% 1/16W	U	R303		RES-CHIP	47K 5% 1/16W	U	R388		RES-CHIP	47K 5% 1/16W	U	R503		METAL CHIP	0.047 1% 1/4W
U	R217		RES-CHIP	10K 5% 1/16W	U	R304		RES-CHIP	47K 5% 1/16W	U	R389		METAL CHIP	10K 0.5% 1/16W	U	R504		RES-CHIP	47K 5% 1/16W
U	R218		RES-CHIP	100 5% 1/16W															
U	R219		RES-CHIP	100 5% 1/16W	U	R305		RES-CHIP	47K 5% 1/16W	U	R391		METAL CHIP	10K 0.5% 1/16W	U	R506		METAL CHIP	560K 0.5% 1/16W
					U	R307		RES-CHIP	47K 5% 1/16W	U	R392		METAL CHIP	10K 0.5% 1/16W	U	R508		METAL CHIP	330K 0.5% 1/16W
U	R222		METAL CHIP	1 5% 1/3W	U	R309		RES-CHIP	33 5% 1/16W	U	R393		RES-CHIP	33 5% 1/16W	U	R509		RES-CHIP	10K 5% 1/16W
U	R224		SHORT CHIP	0	U	R310		RES-CHIP	33 5% 1/16W	U	R396		RES-CHIP	1K 5% 1/16W	U	R510		SHORT CHIP	0
U	R226		SHORT CHIP	0	U	R311		RES-CHIP	33 5% 1/16W	U	R397		RES-CHIP	47K 5% 1/16W	U	R511		METAL CHIP	27K 0.5% 1/16W
U	R227		SHORT CHIP	0															
U	R228		SHORT CHIP	0	U	R312		METAL CHIP	3.3K 0.5% 1/16W	U	R398		RES-CHIP	1M 5% 1/16W	U	R512		SHORT CHIP	0
					U	R315		METAL CHIP	12K 0.5% 1/16W	U	R399		RES-CHIP	47K 5% 1/16W	U	R514		METAL CHIP	180K 0.5% 1/16W
U	R229		SHORT CHIP	0	U	R320		RES-CHIP	10K 5% 1/16W	U	R400		RES-CHIP	33 5% 1/16W	U	R515		METAL CHIP	560K 0.5% 1/16W
U	R230		SHORT CHIP	0	U	R324		RES-CHIP	10K 5% 1/16W	U	R401		RES-CHIP	33 5% 1/16W	U	R516		RES-CHIP	10K 5% 1/16W
U	R231		SHORT CHIP	0	U	R326		METAL CHIP	100K 0.5% 1/16W	U	R402		RES-CHIP	33 5% 1/16W	U	R517		RES-CHIP	22K 5% 1/16W
U	R232		SHORT CHIP	0															
U	R233		SHORT CHIP	0	U	R329		METAL CHIP	47K 0.5% 1/16W	U	R403		RES-CHIP	33 5% 1/16W	U	R518		RES-CHIP	10K 5% 1/16W
					U	R331		SHORT CHIP	0	U	R404		RES-CHIP	33 5% 1/16W	U	R519		RES-CHIP	22K 5% 1/16W
U	R234		SHORT CHIP	0	U	R332		METAL CHIP	47K 0.5% 1/16W	U	R405		RES-CHIP	47K 5% 1/16W	U	R520		METAL CHIP	2K 0.5% 1/16W
U	R235		SHORT CHIP	0	U	R333		SHORT CHIP	0	U	R408		METAL CHIP	47K 0.5% 1/16W	U	R521		METAL CHIP	3.3K 0.5% 1/16W
U	R236		SHORT CHIP	0	U	R336		RES-CHIP	47K 5% 1/16W	U	R409		RES-CHIP	47K 5% 1/16W	U	R522		METAL CHIP	150 0.5% 1/16W
U	R237		SHORT CHIP	0															
U	R238		SHORT CHIP	0	U	R337		RES-CHIP	10K 5% 1/16W	U	R411		RES-CHIP	47K 5% 1/16W	U	R523		METAL CHIP	0.047 1% 1/4W
					U	R339		RES-CHIP	4.7K 5% 1/16W	U	R415		RES-CHIP	10K 5% 1/16W	U	R524		SHORT CHIP	0
U	R240		SHORT CHIP	0	U	R341		SHORT CHIP	0	U	R416		RES-CHIP	82 5% 1/16W	U	R529		SHORT CHIP	0

SC	Ref. No.	Part No.	Description		Remark	SC	Ref. No.	Part No.	Description		Remark	SC	Ref. No.	Part No.	Description		Remark	SC	Ref. No.	Part No.	Description		Remark	
U	R530		RES-CHIP	10K	5%	1/16W	U	C115	CERAMIC CHIP	0.1uF	20%	16V	U	C227	CERAMIC CHIP	0.1uF	10%	10V	U	C360	CERAMIC CHIP	0.001uF	10%	50V
U	R531		RES-CHIP	10K	5%	1/16W	U	C117	CERAMIC CHIP	0.1uF	20%	16V	U	C228	CERAMIC CHIP	0.1uF	10%	10V	U	C361	CERAMIC CHIP	0.0068uF	10%	16V
U	R532		RES-CHIP	10K	5%	1/16W	U	C119	CERAMIC CHIP	0.1uF	20%	16V	U	C232	CERAMIC CHIP	0.1uF	10%	10V	U	C362	CERAMIC CHIP	0.0068uF	10%	16V
U	R533		RES-CHIP	10K	5%	1/16W	U	C126	CERAMIC CHIP	2.2uF	20%	16V	U	C233	CERAMIC CHIP	0.1uF	10%	10V	U	C363	CERAMIC CHIP	0.0068uF	10%	16V
U	R534		RES-CHIP	10K	5%	1/16W	U	C133	CERAMIC CHIP	22uF	20%	16V	U	C235	CERAMIC CHIP	0.1uF	10%	10V	U	C364	CERAMIC CHIP	0.1uF	10%	10V
U	R535		RES-CHIP	10K	5%	1/16W	U	C135	CERAMIC CHIP	0.1uF	20%	16V	U	C236	CERAMIC CHIP	0.1uF	10%	10V	U	C365	CERAMIC CHIP	0.0068uF	10%	16V
U	R536		RES-CHIP	10K	5%	1/16W	U	C136	CERAMIC CHIP	470PF	10%	50V	U	C237	CERAMIC CHIP	100PF	5%	50V	U	C366	CERAMIC CHIP	0.1uF	10%	10V
U	R537		RES-CHIP	10K	5%	1/16W	U	C139	CERAMIC CHIP	0.01uF	10%	25V	U	C238	CERAMIC CHIP	22uF	20%	10V	U	C367	CERAMIC CHIP	0.1uF	10%	10V
U	R538		RES-CHIP	10K	5%	1/16W	U	C140	CERAMIC CHIP	0.01uF	10%	25V	U	C239	CERAMIC CHIP	0.1uF	10%	10V	U	C368	CERAMIC CHIP	0.1uF	10%	10V
U	R539		RES-CHIP	10K	5%	1/16W	U	C141	CERAMIC CHIP	0.01uF	10%	25V	U	C240	CERAMIC CHIP	0.1uF	10%	10V	U	C369	CERAMIC CHIP	0.1uF	10%	10V
U	R540		RES-CHIP	10K	5%	1/16W	U	C144	CERAMIC CHIP	0.1uF	10%	10V	U	C241	CERAMIC CHIP	0.1uF	10%	10V	U	C370	CERAMIC CHIP	0.1uF	10%	10V
U	R541		SHORT CHIP	0			U	C154	CERAMIC CHIP	0.01uF	10%	25V	U	C242	CERAMIC CHIP	0.1uF	10%	10V	U	C371	CERAMIC CHIP	0.1uF	10%	10V
U	R542		SHORT CHIP	0			U	C155	CERAMIC CHIP	0.1uF	20%	16V	U	C243	ELECT CHIP	220uF	20%	16V	U	C372	CERAMIC CHIP	0.1uF	10%	10V
U	R543		SHORT CHIP	0			U	C156	CERAMIC CHIP	0.1uF	20%	16V	U	C244	CERAMIC CHIP	0.001uF	10%	50V	U	C374	CERAMIC CHIP	0.1uF	10%	10V
U	R544		RES-CHIP	100	5%	1/16W	U	C157	CERAMIC CHIP	0.1uF	10%	10V	U	C251	CERAMIC CHIP	0.1uF	10%	10V	U	C375	CERAMIC CHIP	0.1uF	10%	10V
U	R545		RES-CHIP	100	5%	1/16W	U	C158	CERAMIC CHIP	0.1uF	20%	16V	U	C273	CERAMIC CHIP	0.1uF	10%	10V	U	C380	CERAMIC CHIP	0.1uF	10%	10V
U	R546		SHORT CHIP	0			U	C161	CERAMIC CHIP	0.1uF	20%	16V	U	C302	CERAMIC CHIP	0.1uF	10%	10V	U	C381	CERAMIC CHIP	0.1uF	10%	10V
U	R547		SHORT CHIP	0			U	C162	CERAMIC CHIP	10uF	20%	16V	U	C303	CERAMIC CHIP	0.33uF	20%	10V	U	C382	CERAMIC CHIP	0.1uF	10%	10V
U	R549		RES-CHIP	47K	5%	1/16W	U	C175	CERAMIC CHIP	0.01uF	10%	25V	U	C305	CERAMIC CHIP	0.1uF	10%	10V	U	C383	CERAMIC CHIP	0.1uF	10%	10V
U	R550		RES-CHIP	47K	5%	1/16W	U	C176	CERAMIC CHIP	0.1uF	10%	10V	U	C306	CERAMIC CHIP	0.1uF	10%	10V	U	C386	CERAMIC CHIP	0.1uF	10%	10V
U	R551		RES-CHIP	47K	5%	1/16W	U	C178	CERAMIC CHIP	0.1uF	10%	10V	U	C307	CERAMIC CHIP	470PF	10%	50V	U	C389	CERAMIC CHIP	0.1uF	10%	10V
U	R552		SHORT CHIP	0			U	C179	CERAMIC CHIP	0.1uF	10%	10V	U	C308	CERAMIC CHIP	0.1uF	10%	10V	U	C390	CERAMIC CHIP	0.1uF	10%	10V
U	R553		RES-CHIP	10K	5%	1/16W	U	C180	CERAMIC CHIP	0.1uF	10%	10V	U	C310	CERAMIC CHIP	0.0068uF	10%	16V	U	C391	CERAMIC CHIP	0.1uF	10%	10V
U	R555		RES-CHIP	10K	5%	1/16W	U	C181	CERAMIC CHIP	0.1uF	10%	10V	U	C311	CERAMIC CHIP	0.1uF	10%	10V	U	C392	CERAMIC CHIP	0.1uF	10%	10V
U	R556		SHORT CHIP	0			U	C182	CERAMIC CHIP	0.1uF	10%	10V	U	C312	CERAMIC CHIP	0.001uF	10%	50V	U	C399	CERAMIC CHIP	0.1uF	10%	10V
			< NETWORK RESISTOR >				U	C183	CERAMIC CHIP	0.1uF	10%	10V	U	C313	CERAMIC CHIP	0.001uF	10%	50V	U	C400	CERAMIC CHIP	0.1uF	10%	10V
							U	C184	CERAMIC CHIP	0.1uF	10%	10V	U	C314	CERAMIC CHIP	0.47uF	10%	6.3V	U	C401	CERAMIC CHIP	0.0068uF	10%	16V
U	RB300		RES, NETWORK 33X4 (1005)				U	C185	CERAMIC CHIP	0.1uF	10%	10V	U	C315	CERAMIC CHIP	100PF	10%	50V	U	C402	CERAMIC CHIP	0.0068uF	10%	16V
U	RB301		RES, NETWORK 33X4 (1005)				U	C186	CERAMIC CHIP	0.1uF	10%	10V	U	C316	CERAMIC CHIP	0.1uF	10%	10V	U	C455	CERAMIC CHIP	0.1uF	10%	10V
U	RB302		RES, NETWORK 33X4 (1005)				U	C187	CERAMIC CHIP	0.1uF	10%	10V	U	C321	CERAMIC CHIP	0.1uF	10%	10V	U	C457	CERAMIC CHIP	0.1uF	10%	10V
U	RB303		RES, NETWORK 33X4 (1005)																					
U	RB304		CONDUCTOR, NETWORK 0X4 (1005)				U	C188	CERAMIC CHIP	0.001uF	10%	50V	U	C322	CERAMIC CHIP	1uF	10%	6.3V	U	C458	CERAMIC CHIP	0.1uF	10%	10V
							U	C189	CERAMIC CHIP	0.1uF	10%	10V	U	C323	CERAMIC CHIP	0.1uF	10%	10V	U	C462	CERAMIC CHIP	0.1uF	10%	10V
U	RB305		CONDUCTOR, NETWORK 0X4 (1005)				U	C190	CERAMIC CHIP	47PF	5%	50V	U	C325	CERAMIC CHIP	10uF	20%	16V	U	C463	CERAMIC CHIP	0.1uF	10%	10V
U	RB306		CONDUCTOR, NETWORK 0X4 (1005)				U	C191	CERAMIC CHIP	47PF	5%	50V	U	C326	CERAMIC CHIP	0.1uF	10%	10V	U	C464	CERAMIC CHIP	0.1uF	10%	10V
U	RB307		CONDUCTOR, NETWORK 0X4 (1005)				U	C192	CERAMIC CHIP	100PF	5%	50V	U	C327	CERAMIC CHIP	22PF	5%	50V	U	C465	CERAMIC CHIP	0.1uF	10%	10V
U	RB308		RES, NETWORK 4.7KX4 (1005)																					
U	RB309		RES, NETWORK 4.7KX4 (1005)				U	C193	CERAMIC CHIP	100PF	5%	50V	U	C328	CERAMIC CHIP	22PF	5%	50V	U	C466	CERAMIC CHIP	0.1uF	10%	10V
							U	C194	CERAMIC CHIP	0.01uF	10%	25V	U	C329	CERAMIC CHIP	0.1uF	10%	10V	U	C467	CERAMIC CHIP	0.1uF	10%	10V
U	RB312		RES, NETWORK 4.7KX4 (1005)				U	C195	CERAMIC CHIP	0.1uF	10%	10V	U	C330	CERAMIC CHIP	22PF	5%	50V	U	C502	CERAMIC CHIP	47uF	20%	6.3V
							U	C196	CERAMIC CHIP	100PF	5%	50V	U	C331	CERAMIC CHIP	220PF	10%	50V	U	C504	CERAMIC CHIP	47uF	20%	6.3V
			< VIBRATOR >				U	C197	CERAMIC CHIP	0.1uF	10%	10V	U	C332	CERAMIC CHIP	220PF	10%	50V	U	C505	CERAMIC CHIP	1uF	10%	16V
U	X301		VIBRATOR, CRYSTAL (33.8688MHz)				U	C198	CERAMIC CHIP	10uF	20%	16V	U	C333	CERAMIC CHIP	0.022uF	10%	16V	U	C506	CERAMIC CHIP	10uF	20%	16V
			*****				U	C199	CERAMIC CHIP	100PF	5%	50V	U	C335	CERAMIC CHIP	0.0047uF	10%	50V	U	C507	CERAMIC CHIP	22uF	20%	10V
							U	C200	CERAMIC CHIP	0.1uF	10%	10V	U	C340	CERAMIC CHIP	220PF	10%	50V	U	C508	CERAMIC CHIP	0.1uF	10%	10V
S	A-1433-743-A		BMD-002 COMPL (SERVICE)				U	C203	CERAMIC CHIP	0.1uF	10%	10V	U	C341	CERAMIC CHIP	0.0015uF	10%	50V	U	C509	CERAMIC CHIP	0.1uF	10%	10V
			*****				U	C206	CERAMIC CHIP	0.1uF	10%	10V	U	C342	CERAMIC CHIP	0.0033uF	10%	16V	U	C510	CERAMIC CHIP	0.1uF	10%	10V
			< CAPACITOR >				U	C207	CERAMIC CHIP	0.001uF	10%	50V	U	C343	CERAMIC CHIP	0.1uF	10%	10V	U	C511	CERAMIC CHIP	0.022uF	10%	16V
							U	C209	CERAMIC CHIP	0.022uF	10%	16V	U	C347	CERAMIC CHIP	0.1uF	10%	10V	U	C512	CERAMIC CHIP	0.22uF	10%	6.3V
U	C101		CERAMIC CHIP	0.1uF	10%	10V	U	C213	CERAMIC CHIP	0.1uF	10%	10V	U	C348	CERAMIC CHIP	0.1uF	10%	10V	U	C523	CERAMIC CHIP	1uF	20%	6.3V
U	C102		CERAMIC CHIP	0.1uF	10%	10V	U	C215	CERAMIC CHIP	0.1uF	10%	10V	U	C349	CERAMIC CHIP	0.1uF	10%	10V	U	C527	CERAMIC CHIP	0.1uF	10%	10V
U	C103		CERAMIC CHIP	0.001uF	10%	50V	U	C217	CERAMIC CHIP	0.1uF	10%	10V	U	C350	CERAMIC CHIP	0.1uF	10%	10V	U	C528	CERAMIC CHIP	0.1uF	10%	10V
U	C104		CERAMIC CHIP	0.001uF	10%	50V																		
U	C105		CERAMIC CHIP	0.001uF	10%	50V	U	C218	CERAMIC CHIP	0.1uF	10%	10V	U	C351	CERAMIC CHIP	0.1uF	10%	10V	U	C529	CERAMIC CHIP	0.1uF	10%	10V
							U	C219	CERAMIC CHIP	0.1uF	10%	10V	U	C352	CERAMIC CHIP	0.1uF	10%	10V	U	C530	CERAMIC CHIP	0.1uF	10%	10V
U	C106		CERAMIC CHIP	0.001uF	10%	50V	U	C221	CERAMIC CHIP	0.1uF	10%	10V	U	C353	CERAMIC CHIP	0.001uF	10%	50V	U	C531	CERAMIC CHIP	0.1uF	10%	10V
U	C107		CERAMIC CHIP	47uF	20%	6.3V	U	C222	CERAMIC CHIP	0.1uF	10%	10V	U	C354	CERAMIC CHIP	0.001uF	10%	50V	U	C532	CERAMIC CHIP	0.1uF	10%	10V
U	C108		CERAMIC CHIP	0.1uF	10%	10V	U	C223	CERAMIC CHIP	0.22uF	10%	6.3V	U	C356	CERAMIC CHIP	0.001uF	10%	50V	U	C533	CERAMIC CHIP	0.1uF	10%	10V
U	C109		CERAMIC CHIP	0.1uF	10%	10V																		
U	C110		CERAMIC CHIP	0.1uF	20%	16V	U	C224	CERAMIC CHIP	0.1uF	10%	10V	U	C357	CERAMIC CHIP	0.001uF	10%	50V	U	C534	CERAMIC CHIP	0.1uF	10%	10V
							U	C225	CERAMIC CHIP	100PF	5%	50V	U	C358	CERAMIC CHIP	0.001uF	10%	50V	U	C535	CERAMIC CHIP	0.1uF	10%	10V
U	C113		CERAMIC CHIP	0.1uF	10%	10V	U	C226	CERAMIC CHIP	0.1uF	10%	10V	U	C359	CERAMIC CHIP	0.1uF	10%	10V	U	C536	CERAMIC CHIP	0.1uF	10%	10V

SC	Ref. No.	Part No.	Description	Remark	SC	Ref. No.	Part No.	Description	Remark	SC	Ref. No.	Part No.	Description	Remark	SC	Ref. No.	Part No.	Description	Remark
U	C537		CERAMIC CHIP 0.1uF 10% 10V		U△	CN102		CONNECTOR, FFC/FPC (ZIF) 8P		U	Q105		TRANSISTOR DTC144EE-TL		U	R278		RES-CHIP 470K 5% 1/16W	
U	C538		CERAMIC CHIP 0.1uF 10% 10V		U△	CN103		CONNECTOR, FFC/FPC (ZIF) 45P		U	Q106		TRANSISTOR UMH2NTN		U	R282		RES-CHIP 10 5% 1/16W	
U	C539		CERAMIC CHIP 0.1uF 10% 10V		U	CN104		PIN, CONNECTOR 2P		U	Q107		TRANSISTOR DTA143EE-TL		U	R283		RES-CHIP 10 5% 1/16W	
U	C540		CERAMIC CHIP 0.1uF 10% 10V		U△	CN301		CONNECTOR, FFC/FPC (ZIF) 60P		U	Q109		TRANSISTOR DTC144EE-TL		U	R284		RES-CHIP 10 5% 1/16W	
U	C541		CERAMIC CHIP 0.1uF 10% 10V		U	CN502		PIN, CONNECTOR (PC BOARD) 4P		U	Q111		FET RTQ035P02TR		U	R285		RES-CHIP 10 5% 1/16W	
U	C542		CERAMIC CHIP 0.1uF 10% 10V					< DIODE >		U	Q112		TRANSISTOR UMH2NTN		U	R301		RES-CHIP 47K 5% 1/16W	
U	C543		CERAMIC CHIP 0.1uF 10% 10V							U	Q500		FET RSQ035P03TR		U	R302		RES-CHIP 47K 5% 1/16W	
U	C544		CERAMIC CHIP 0.1uF 10% 10V		U	D100		DIODE RR264M-400		U	Q502		FET IRF7422D2TRPBF		U	R303		RES-CHIP 47K 5% 1/16W	
U	C545		CERAMIC CHIP 0.1uF 10% 10V		U	D101		DIODE RR264M-400		U	Q503		TRANSISTOR 2SC5658T2L		U	R304		RES-CHIP 47K 5% 1/16W	
U	C546		CERAMIC CHIP 0.1uF 10% 10V		U	D501		DIODE RB051LA-40TR						U	R305		RES-CHIP 47K 5% 1/16W		
					U	D502		DIODE DAP202K-T-146											
U	C547		CERAMIC CHIP 0.1uF 10% 10V					< FERRITE BEAD >		U	R101		RES-CHIP 68 5% 1/16W		U	R307		RES-CHIP 47K 5% 1/16W	
U	C548		CERAMIC CHIP 0.1uF 10% 10V							U	R102		RES-CHIP 180 5% 1/16W		U	R309		RES-CHIP 33 5% 1/16W	
U	C549		CERAMIC CHIP 0.1uF 10% 10V							U	R105		RES-CHIP 10K 5% 1/16W		U	R310		RES-CHIP 33 5% 1/16W	
U	C550		CERAMIC CHIP 0.1uF 10% 10V		U	FB301		FERRITE, EMI (SMD) (1608)		U	R106		RES-CHIP 10K 5% 1/16W		U	R311		RES-CHIP 33 5% 1/16W	
U	C551		CERAMIC CHIP 0.1uF 10% 10V		U	FB527		FERRITE, EMI (SMD)		U	R107		RES-CHIP 47K 5% 1/16W		U	R315		METAL CHIP 12K 0.5% 1/16W	
					U	FB528		FERRITE, EMI (SMD)											
					U	FB557		FERRITE, EMI (SMD) (2012)											
U	C552		CERAMIC CHIP 0.1uF 10% 10V					< FILTER >		U	R108		RES-CHIP 47K 5% 1/16W		U	R324		METAL CHIP 12K 0.5% 1/16W	
U	C553		CERAMIC CHIP 0.1uF 10% 10V							U	R109		RES-CHIP 47K 5% 1/16W		U	R326		METAL CHIP 10K 0.5% 1/16W	
U	C554		CERAMIC CHIP 0.1uF 10% 10V							U	R110		RES-CHIP 10K 5% 1/16W		U	R329		METAL CHIP 47K 0.5% 1/16W	
U	C555		CERAMIC CHIP 0.1uF 10% 10V							U	R111		RES-CHIP 10K 5% 1/16W		U	R332		METAL CHIP 47K 0.5% 1/16W	
U	C556		CERAMIC CHIP 0.1uF 10% 10V		U	FL103		FILTER, EMI REMOVAL (SMD)		U	R121		RES-CHIP 10K 5% 1/16W		U	R335		METAL CHIP 3K 0.5% 1/16W	
					U	FL104		FILTER, EMI REMOVAL (SMD)		U	R122		RES-CHIP 100 5% 1/16W						
U	C557		CERAMIC CHIP 0.1uF 10% 10V		U	FL500		FILTER, EMI REMOVAL (SMD)							U	R336		RES-CHIP 47K 5% 1/16W	
U	C558		CERAMIC CHIP 0.1uF 10% 10V		U	FL503		FILTER, EMI REMOVAL (SMD)		U	R124		METAL CHIP 12K 0.5% 1/16W		U	R342		METAL CHIP 4.7K 0.5% 1/16W	
U	C559		CERAMIC CHIP 0.1uF 10% 10V							U	R126		RES-CHIP 1K 5% 1/16W		U	R343		METAL CHIP 4.7K 0.5% 1/16W	
U	C560		CERAMIC CHIP 0.1uF 10% 10V					< IC >		U	R139		METAL CHIP 3.3K 0.5% 1/16W		U	R344		RES-CHIP 470 5% 1/16W	
U	C562		CERAMIC CHIP 0.1uF 10% 10V							U	R153		RES-CHIP 10K 5% 1/16W		U	R346		RES-CHIP 1.5K 5% 1/16W	
					U	IC103		IC BD7956FS-E2		U	R154		RES-CHIP 10K 5% 1/16W						
U	C564		CERAMIC CHIP 0.1uF 10% 10V		U	IC108		IC BA5888FP-E2							U	R348		METAL CHIP 4.7K 0.5% 1/16W	
U	C566		CERAMIC CHIP 0.1uF 10% 10V		U	IC110		IC CXA2720R-TL		U	R155		RES-CHIP 10K 5% 1/16W		U	R349		METAL CHIP 22K 0.5% 1/16W	
U	C568		CERAMIC CHIP 0.1uF 10% 10V		U	IC300		IC CXD5065GB-1		U	R157		METAL CHIP 47K 0.5% 1/16W		U	R350		METAL CHIP 22K 0.5% 1/16W	
U	C570		CERAMIC CHIP 0.1uF 10% 10V		U	IC303		IC NJM13403V(Te2)		U	R158		METAL CHIP 47K 0.5% 1/16W		U	R351		METAL CHIP 4.7K 0.5% 1/16W	
U	C572		CERAMIC CHIP 0.1uF 10% 10V							U	R163		METAL CHIP 0.33 1% 1/2W		U	R354		METAL CHIP 4.7K 0.5% 1/16W	
					U	IC304	Ⓜ			U	R180		METAL CHIP 0.56 5% 1/3W						
U	C574		CERAMIC CHIP 0.1uF 10% 10V		U	IC309		IC K4S641632K-UC75T							U	R357		RES-CHIP 1K 5% 1/16W	
U	C576		CERAMIC CHIP 0.1uF 10% 10V		U	IC310		IC MX25L1005MC-12G		U	R181		METAL CHIP 0.56 5% 1/3W		U	R358		METAL CHIP 4.7K 0.5% 1/16W	
U	C578		CERAMIC CHIP 0.1uF 10% 10V		U	IC500		IC PST3629UL		U	R187		METAL CHIP 10K 0.5% 1/16W		U	R359		RES-CHIP 1K 5% 1/16W	
U	C580		CERAMIC CHIP 0.1uF 10% 10V		U	IC501		IC PST3810UL		U	R202		METAL CHIP 12K 0.5% 1/16W		U	R360		RES-CHIP 100 5% 1/16W	
U	C583		CERAMIC CHIP 0.1uF 10% 10V							U	R203		METAL CHIP 24K 0.5% 1/16W		U	R361		METAL CHIP 22K 0.5% 1/16W	
					U	IC503		IC TPS64201DBVRG4		U	R204		RES-CHIP 10K 5% 1/16W						
U	C584		CERAMIC CHIP 0.1uF 10% 10V		U	IC507		IC TC7WH74FK(Te85R)							U	R363		METAL CHIP 22K 0.5% 1/16W	
U	C605		CERAMIC CHIP 0.1uF 10% 10V		U	IC508		IC TPS64203DBVRG4		U	R212		METAL CHIP 1.8K 0.5% 1/16W		U	R366		METAL CHIP 47K 0.5% 1/16W	
U	C606		CERAMIC CHIP 1uF 10% 10V		U	IC509		IC BD7800FP-E2		U	R214		RES-CHIP 15K 5% 1/16W		U	R367		RES-CHIP 100 5% 1/16W	
U	C607		CERAMIC CHIP 22uF 20% 10V		U	IC510		IC PST3443UL		U	R217		RES-CHIP 10K 5% 1/16W		U	R368		RES-CHIP 100 5% 1/16W	
U	C608		CERAMIC CHIP 22uF 20% 10V							U	R218		RES-CHIP 100 5% 1/16W		U	R369		RES-CHIP 100 5% 1/16W	
								< COIL >		U	R219		RES-CHIP 100 5% 1/16W						
U	C609		TANTAL. CHIP 47uF 20% 6.3V											U	R370		RES-CHIP 100 5% 1/16W		
U	C610		ELECT CHIP 100uF 20% 16V		U	L100		COIL, CHOKE 150uH		U	R222		METAL CHIP 1 5% 1/3W		U	R374		RES-CHIP 47K 5% 1/16W	
U	C611		ELECT CHIP 100uF 20% 6.3V		U	L101		COIL, CHOKE 10uH		U	R241		METAL CHIP 1 5% 1/3W		U	R375		RES-CHIP 47K 5% 1/16W	
U	C612		ELECT CHIP 100uF 20% 6.3V		U	L103		COIL, CHOKE 4.7uH		U	R243		METAL CHIP 22 5% 1/10W		U	R376		RES-CHIP 47K 5% 1/16W	
U	C613		ELECT CHIP 100uF 20% 6.3V		U	L500		COIL, CHOKE 10uH		U	R244		METAL CHIP 22 5% 1/10W		U	R377		RES-CHIP 47K 5% 1/16W	
					U	L503		COIL, CHOKE 10uH		U	R245		METAL CHIP 22 5% 1/10W						
U	C614		CERAMIC CHIP 1uF 10% 10V											U	R378		RES-CHIP 47K 5% 1/16W		
U	C615		CERAMIC CHIP 0.1uF 10% 10V		U	L506		COIL, CHOKE 1uH		U	R246		METAL CHIP 22 5% 1/10W		U	R379		SHORT CHIP 0	
U	C616		CERAMIC CHIP 100PF 5% 50V		U	L507		COIL, CHOKE 4.7uH		U	R258		RES-CHIP 680K 5% 1/16W		U	R380		RES-CHIP 4.7K 5% 1/16W	
U	C648		CERAMIC CHIP 1uF 10% 6.3V		U	L508		COIL, CHOKE 4.7uH		U	R259		METAL CHIP 5.6 5% 1/3W		U	R381		RES-CHIP 4.7K 5% 1/16W	
U	C649		CERAMIC CHIP 1uF 10% 6.3V		U	L509		COIL, CHOKE 4.7uH		U	R260		METAL CHIP 100 5% 1W		U	R382		METAL CHIP 4.7K 0.5% 1/16W	
					U	L510		INDUCTOR (EMI FERRITE) (2012)		U	R265		METAL CHIP 22K 0.5% 1/16W						
U	C650		CERAMIC CHIP 0.1uF 10% 16V											U	R383		METAL CHIP 4.7K 0.5% 1/16W		
U	C651		CERAMIC CHIP 0.1uF 10% 16V		U	L511		INDUCTOR (EMI FERRITE) (2012)		U	R267		METAL CHIP 22K 0.5% 1/16W		U	R384		RES-CHIP 47K 5% 1/16W	
U	C652		CERAMIC CHIP 0.1uF 10% 10V		U	L514		INDUCTOR (EMI FERRITE) (2012)		U	R268		RES-CHIP 10K 5% 1/16W		U	R386		RES-CHIP 47K 5% 1/16W	
U	C653		CERAMIC CHIP 1uF 10% 10V							U	R269		RES-CHIP 10K 5% 1/16W		U	R387		RES-CHIP 47K 5% 1/16W	
								< TRANSISTOR >		U	R270		RES-CHIP 2.2K 5% 1/16W		U	R388		RES-CHIP 47K 5% 1/16W	
										U	R272		RES-CHIP 100 5% 1/16W						
U△	CN100		CONNECTOR, FFC/FPC (ZIF) 19P		U	Q102		FET RTR025N03TL						U	R389		METAL CHIP 10K 0.5% 1/16W		
U△	CN101		CONNECTOR, FFC/FPC (ZIF) 14P		U	Q103		FET RTR025N03TL		U	R273		RES-CHIP 100 5% 1/16W		U	R391		METAL CHIP 10K 0.5% 1/16W	
			</																

