



SCPH-30002 R  
SCPH-30003 R  
SCPH-30004 R

# SCPH-30000 R series

SERVICE MANUAL

6th edition

for GH015(31/41) MOUNT

( F-type model )

PlayStation®2

SONY



COMPUTER  
ENTERTAINMENT®

Sony Computer Entertainment Inc.  
Quality Assurance Department  
Published in Japan © 2.2002. 9-927-093-61

**NOTICE**

Copyright by Sony Computer Entertainment Inc. All rights reserved. No reproduced and transferred required except permission by Sony Computer Entertainment Inc. No commercial use and rental required.

**REVISIONS.**

This manual compiled by second edition of SCPH-30000 R series D type and F type models design data. Design and Specification will be subject to changed without notice. The latest versions of service manual, Technical memo, Technical information should be used together.

**SAFETY-RELATED COMPONENT WARNING !!**

COMPONENTS IDENTIFIED BY MARK  $\triangle$  OR DOTTED LINE WITH MARK  $\triangle$  ON THE SCHEMATIC DIAGRAMS AND IN THE PARTS LIST ARE CRITICAL TO SAFE OPERATION. REPLACE THESE COMPONENTS WITH SONY PARTS WHOSE PART NUMBERS APPEAR AS SHOWN IN THIS MANUAL OR IN SUPPLEMENTS PUBLISHED BY SONY.

**ATTENTION AU COMPOSANT AYANT RAPPORT À LA SÉCURITÉ !**

LES COMPOSANTS IDENTIFIÉS PAR UNE MARQUE  $\triangle$  SUR LES DIAGRAMMES SCHÉMATIQUES ET LA LISTE DES PIÈCES SONT CRITIQUES POUR LA SÉCURITÉ DE FONCTIONNEMENT. NE REMPLACER CES COMPOSANTS QUE PAR DES PIÈCES SONY DONT LES NUMÉROS SONT DONNÉS DANS CE MANUEL OU DANS LES SUPPLÉMENTS UBLIÉS PAR SONY.

**CAUTION**

Replace the battery with a Sony CR2032 battery. Use of any other type of battery may present the risk of fire or explosion. The battery may explode if mistreated. Do not recharge, disassemble, or dispose of in fire.

**CAUTION**

The use of optical instruments with this product will increase eye Hazard. As the laser beam used in this CD/DVD player is harmful To eyes, do not attempt to disassemble the cabinet. Refer servicing to qualified personnel only.

**WARNING !!**

WHEN SERVICING, DO NOT APPROACH THE LASER EXIT WITH THE EYE TOO CLOSELY. IN CASE IT IS NECESSARY TO CONFIRM LASER BEAM EMISSION, BE SURE TO OBSERVE FROM A DISTANCE OF MORE THAN 25cm FROM THE SURFACE OF THE OBJECTIVE LENS ON THE OPTICAL PICK-UP BLOCK.

**CAUTION**

Use of controls or adjustments or performance of procedures other than those specified herein may result in hazardous radiation exposure.

**CAUTION for electric shock**

When power is ON, Don't touch to Power supply block, AC-inlet, Power switch and so on, not to get an electric shock at repair.

**CAUTION for burning**

When current is supplied, Some of part surface temperature like EE, GS, Regulator-IC, power supply, Optical device and so on. These part surface is become high temperature condition. When it repair, Don't touch them at a time during it surface is high temperature condition to take prevent against burning. Do repair after it is cooled down enough.

**CAUTION**

Danger of explosion if battery is incorrectly replaced. Replace only with the same or equivalent type recommended by the manufacturer. Discard used batteries according to the manufacturer's instructions.

**ADVARSEL!**

Lithiumbatteri - Eksplosionsfare ved fejlagtig håndtering. Udskiftning må kun ske med batteri af samme fabrikat og type. Levér det brugte batteri tilbage til leverandøren.

**ADVARSEL**

Eksplosjonsfare ved feilaktig skifte av batteri. Benytt samme batteritype eller en tilsvarende type anbefalt av apparatfabrikanten. Brukte batterier kasseres i henhold til fabrikantens instruksjoner.

**VARNING**

Explosionsfara vid felaktigt batteribyte. Använt samma batterityp eller en ekvivalent typ som rekommenderas av apparatillverkaren. Kassera använt batteri enligt fabrikantens instruktion.

**VAROITUS**

Paristo voi räjähtää, jos se on virheellisesti asennettu. Vaihda paristo ainoastaan valmistajan suosittelemaan tyyppiin. Hävitä käytetty paristo valmistajan ohjeiden mukaisesti.

**SAFETY CHECK-OUT**

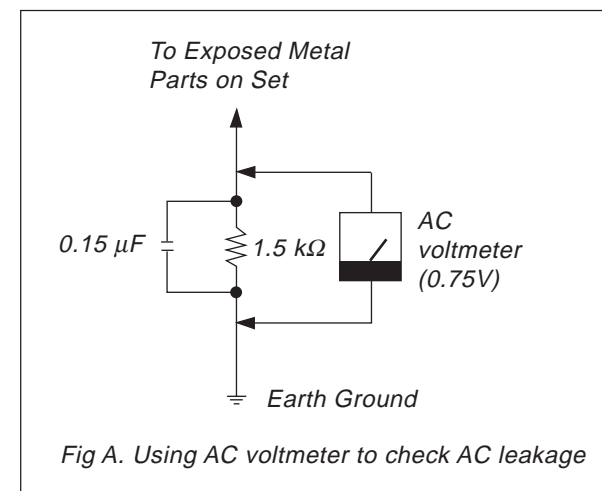
After correcting the original service problem, perform the following safety checks before releasing the set to the customer:

1. Check the area of your repair for unsoldered or cold-soldered connections. Check the entire board surface for solder splashes and bridges.
2. Check the inter board wiring to ensure that no wires are "pinched" or contact high-wattage resistors.
3. Look for unauthorized replacement parts, particularly transistors, that were installed during a previous repair. Point them out to the customer and recommend their replacement.
4. Look for parts which, though functioning, show obvious signs of deterioration. Point them out of the customer and recommend their replacement.
5. Check the line cord for cracks and abrasion. Recommend the replacement of any such line cord to the customer.
6. Check the b+ voltage to see it is at the values specified.
7. Check the antenna terminals, metal trim, "metalized" knobs, screws, and all other exposed metal parts for ac leakage. Check leakage as described below.

**LEAKAGE**

The AC leakage from any exposed metal part to earth ground and from all exposed metal parts to any exposed metal part having a Return to chassis, must not exceed 0.5 mA (500 micro-amperes). Leakage current can be measured by any one of three methods.

1. A commercial leakage tester, such as the SIMPSON 229 or RCA WT-540A. Follow the manufacturers' instructions to use these instruments.
2. A battery-operated AC milli-ammeter. The Data Precision 245 digital multi-meter is suitable for this job.
3. Measuring the voltage drop across a resistor by means of a VOM or battery-operated ac voltmeter. The "limit" indication is 0.75V, so analog meters must have an accurate low-voltage scale. The SIMPSON 250 and SANWA SH-63TRD are examples of a passive VOM that is suitable. Nearly all battery operated digital multi-meters that have a 2V AC range are suitable.

**NOTIFICATION for environmental assessment**

This model is CR2032 lithium battery onboard inside on the GB MOUNT or GH MOUNT as Timer backup power. CR2032 life may be about 5 to 8 years, so you have very few need for changing to new one. But if you have necessary to replaced to new one or disassemble for scrapping, you have to keep your country law, regulation, standard, etc. of environmental assessment and safety.

# TABLE OF CONTENTS

## SCPH-30000 R F-type model with GH015(31/41) MOUNT

<b>NOTICE AND REVISION</b> .....	GH015(31/41)-2
<b>SPECIFICATIONS</b> .....	GH015(31/41)-4
<b>SUPPLIED ACCESSORIES AND PACKING BLOCK</b> .....	GH015(31/41)-5
<b>INSTRUCTION MANUAL BLOCK</b> .....	GH015(31/41)-6
<b>EXPLODED VIEWS</b>	
Overall and Main Block .....	GH015(31/41)-7
MD Block .....	GH015(31/41)-8
GH Mount Block and Shield (A) Assy Block .....	GH015(31/41)-9
Switch Assy Block .....	GH015(31/41)-10
Power Switch, Fan and Rear Panel Assy Block .....	GH015(31/41)-11
<b>BLOCK DIAGRAM</b> .....	GH015(31/41)-12
<b>PRINTED WIRING BOARDS AND SCHEMATIC DIAGRAMS</b>	
Note for Printed Wiring Boards and Schematic Diagrams .....	GH015(31/41)-13
GH015(31/41) Mount Schematic Diagrams .....	GH015(31/41)-14
GH015(31/41) Mount Wiring Boards .....	GH015(31/41)-22
Electrical Parts List .....	GH015(31/41)-24
Switch Mount .....	GH015(31/41)-29

## SPECIFICATIONS

### General

#### Power requirements

220 -240 V AC, 50/60 Hz

#### Power consumption

50 W

#### Dimensions

301 x 78 x 182 mm (w/h/d)

#### Mass

2.4 kg

### Inputs/Outputs on the front

Controller ports (2)

Memory card slots (2)

USB ports (2)

S400 (i-Link) port (1)

### Inputs/Outputs on the rear

HDD bay slot (1)

### Outputs on the rear

AV Multi out port (1)

RGB, Ycbr, Y/C, Composite-video,

Audio-L/R, XGA

Digital out port (1)

Optical audio

### Supplied accessories

AC power cord (1)

A/V connecting cable (1)

Dualshock2 Analog controller (1)

Euro-AV Connector (1)

for SCPH-30003 R/-30004 R

# SUPPLIED ACCESSORIES AND PACKING BLOCK

**NOTE :**

- Due to standardization, replacements in the parts list may be different from the parts specified in the diagrams or the components used on the set.
- -XX and -X mean standardized parts, so they may have some difference from the original one.
- RESISTORS  
METAL : Metal-film resistor.  
F : nonflammable  
Unit is Ω.

- SEMICONDUCTORS  
In each case, u : μ, for example :  
uA .. : μA .. uPA ... : μPA ..  
uPB. . : μPB. . uPC ... : μPC .. uPD ... : μPD ..
- CAPACITORS  
uF : μF
- COILS  
uH : μH

The components identified by mark  $\Delta$  or dotted line with mark.  $\Delta$  are critical for safety. Replace only with part number specified.

**SUPPLIED ACCESSORIES and PACKING GROUP**

PLACE CODE #23

\*\*\*\*\*

SCPH-30002 R F-type model  
\*\*\*\*\*

Ref.	Part No.	Description
$\Delta$ AC	1-555-074-51	CORD, POWER
AV	1-792-028-11	AV CABLE (Integrated audio/video)
AV	1-792-028-22	AV CABLE (Integrated audio/video)
AV	1-792-028-32	AV CABLE (Integrated audio/video)
AV	1-792-028-42	AV CABLE (Integrated audio/video)
AV	1-792-028-51	AV CABLE (Integrated audio/video)
AV	1-792-028-61	AV CABLE (Integrated audio/video)
CONT	1-823-069-51	ANALOG CONTROLLER (DUALSHOCK 2)
CONT	1-823-069-61	ANALOG CONTROLLER (DUALSHOCK 2)
CONT	1-823-552-12	ANALOG CONTROLLER (DUALSHOCK 2)
SH	3-060-494-01	SHEET, PROTECTION
CU	3-064-714-01	CUSHION
MC	3-071-635-53	MASTER CARTON, 3 SETS
CA	3-071-639-02	INDIVIDUAL CARTON
TA	3-987-483-11	TAPE, BERODDED PREVENTION
IMB	A-6785-379-A	MANUAL BLOCK ASSY, INSTRUCTION

SCPH-30003 R F-type model  
\*\*\*\*\*

Ref.	Part No.	Description
CONV	1-785-004-12	CONNECTOR, CONVERSION
CONV	1-573-291-12	CONNECTOR, CONVERSION
$\Delta$ AC	1-751-115-21	CORD, POWER
$\Delta$ AC	1-751-115-31	CORD, POWER
$\Delta$ AC	1-751-115-43	CORD, POWER
$\Delta$ AC	1-790-023-21	CORD, POWER
AV	1-792-028-11	AV CABLE (Integrated audio/video)
AV	1-792-028-22	AV CABLE (Integrated audio/video)
AV	1-792-028-32	AV CABLE (Integrated audio/video)
AV	1-792-028-42	AV CABLE (Integrated audio/video)
AV	1-792-028-51	AV CABLE (Integrated audio/video)
AV	1-792-028-61	AV CABLE (Integrated audio/video)
CONT	1-823-069-51	ANALOG CONTROLLER (DUALSHOCK 2)
CONT	1-823-069-61	ANALOG CONTROLLER (DUALSHOCK 2)
CONT	1-823-552-12	ANALOG CONTROLLER (DUALSHOCK 2)
SH	3-060-494-01	SHEET, PROTECTION
CU	3-064-714-01	CUSHION
PAD	3-065-172-01	PAD, TOGETHER PACKING
CA	3-071-634-12	INDIVIDUAL CARTON
MC	3-071-635-43	MASTER CARTON, 3 SETS
TA	3-987-483-11	TAPE, BERODDED PREVENTION
IMB	A-6785-377-A	MANUAL BLOCK ASSY, INSTRUCTION

SCPH-30004 R F-type model  
\*\*\*\*\*

Ref.	Part No.	Description
CONV	1-785-004-12	CONNECTOR, CONVERSION
CONV	1-573-291-12	CONNECTOR, CONVERSION
$\Delta$ AC	1-575-131-82	CORD, POWER
$\Delta$ AC	1-823-152-11	CORD, POWER
AV	1-792-028-11	AV CABLE (Integrated audio/video)
AV	1-792-028-22	AV CABLE (Integrated audio/video)
AV	1-792-028-32	AV CABLE (Integrated audio/video)
AV	1-792-028-42	AV CABLE (Integrated audio/video)
AV	1-792-028-51	AV CABLE (Integrated audio/video)
AV	1-792-028-61	AV CABLE (Integrated audio/video)
CONT	1-823-069-51	ANALOG CONTROLLER (DUALSHOCK 2)
CONT	1-823-069-61	ANALOG CONTROLLER (DUALSHOCK 2)
CONT	1-823-552-12	ANALOG CONTROLLER (DUALSHOCK 2)
SH	3-060-494-01	SHEET, PROTECTION
CU	3-064-714-01	CUSHION
PAD	3-065-172-01	PAD, TOGETHER PACKING
CA	3-071-634-03	INDIVIDUAL CARTON
MC	3-071-635-33	MASTER CARTON, 3 SETS
TA	3-987-483-11	TAPE, BERODDED PREVENTION
IMB	A-6785-382-A	MANUAL BLOCK ASSY, INSTRUCTION

# INSTRUCTION MANUAL BLOCK

**NOTE :**

- Due to standardization, replacements in the parts list may be different from the parts specified in the diagrams or the components used on the set.
- -XX and -X mean standardized parts, so they may have some difference from the original one.
- RESISTORS  
METAL : Metal-film resistor.  
F : nonflammable  
Unit is Ω.

- SEMICONDUCTORS  
In each case, u : μ, for example :  
uA . . : μA . . . uPA . . : μPA . .  
uPB . . : μPB . . . uPC . . : μPC . . . uPD . . : μPD . .
- CAPACITORS  
uF : μF
- COILS  
uH : μH

The components identified by mark  $\triangle$  or dotted line with mark.  $\triangle$  are critical for safety. Replace only with part number specified.

**INSTRUCTION MANUAL BLOCK ASSY**  
\*\*\*\*\*

PLACE CODE #23

SCPH-30002 R F-type model  
\*\*\*\*\*

Ref.	Part No.	Description
AOR	3-066-158-02	CARD (A), OWNER REGISTRATION
IM	3-071-581-22	MANUAL, INSTRUCTION
DISK	3-073-543-01	DISK, DEMONSTRATION
SE	3-987-375-02	SEAL, SEAL

SCPH-30003 R F-type model  
\*\*\*\*\*

Ref.	Part No.	Description
BOR	3-066-159-02	CARD (B), OWNER REGISTRATION
IM	3-071-581-33	MANUAL, INSTRUCTION
DISK	3-073-543-01	DISK, DEMONSTRATION
SE	3-987-375-02	SEAL, SEAL

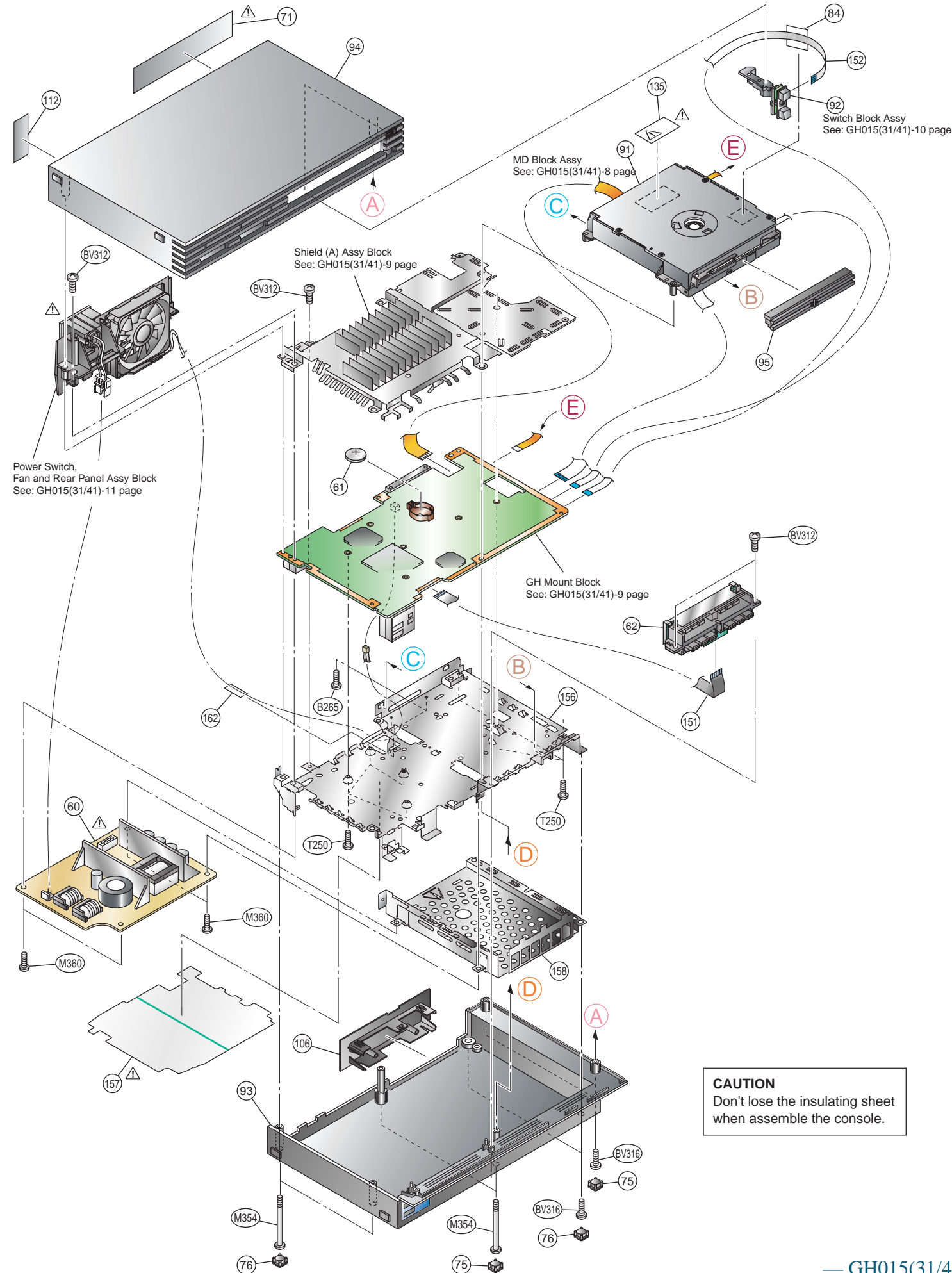
SCPH-30004 R F-type model  
\*\*\*\*\*

Ref.	Part No.	Description
COR	3-066-160-04	CARD (C), OWNER REGISTRATION
IM	3-071-581-43	MANUAL, INSTRUCTION
IM	3-071-581-53	MANUAL, INSTRUCTION
DISK	3-073-543-01	DISK, DEMONSTRATION
SE	3-987-375-02	SEAL, SEAL



# EXPLODED VIEWS

## Overall and Main Block



### CAUTION

The components identified by mark  $\triangle$  or dotted line with mark.  $\triangle$  are critical for safety. Replace only with part number specified.

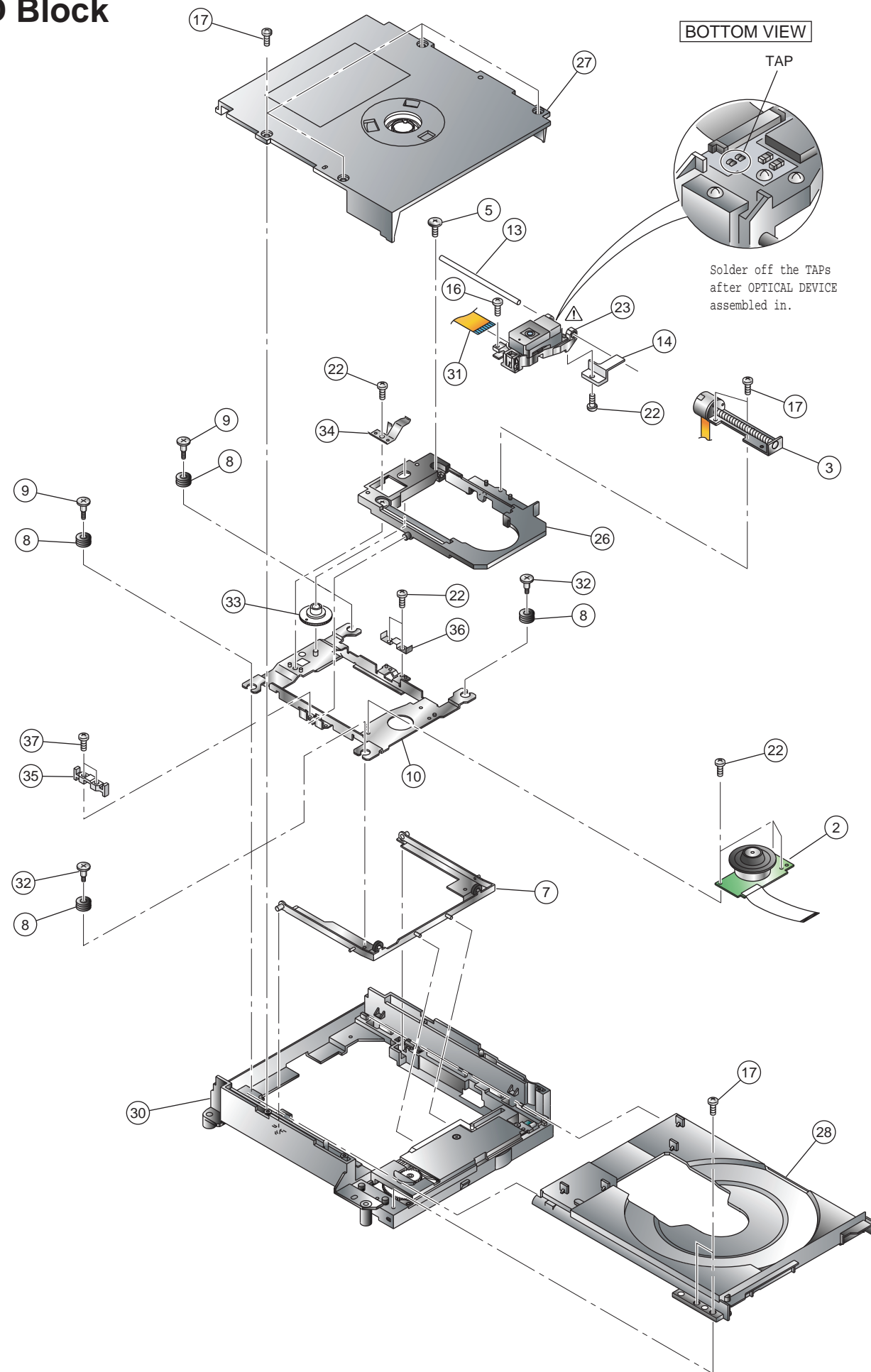
**CAUTION :**  
Use of controls or adjustments or performance of procedures other than those specified herein may result in hazardous radiation exposure.

### OVERALL AND MAIN BLOCK

Ref-No.	Part No.	Description	Remark	Place code
$\triangle$ 60	1-468-605-11	POWER BLOCK	for 220-240V AC	#00
$\triangle$ 60	1-468-605-21	POWER BLOCK	for 220-240V AC	#00
$\triangle$ 60	1-468-605-31	POWER BLOCK	for 220-240V AC	#00
$\triangle$ 61	1-528-174-41	BATTERY, LITHIUM (CR2032 TYPE)		#25GH
62	1-694-873-11	TERMINAL BOARD (FRONT)		#17
62	1-694-874-11	TERMINAL BOARD (FRONT)		#17
62	1-694-875-11	TERMINAL BOARD (FRONT)		#17
$\triangle$ 71	3-072-419-01	LABEL, MODEL NUMBER (AU3)	for SCPH-30002 R F	#87
$\triangle$ 71	3-072-418-01	LABEL, MODEL NUMBER (CEK)	for SCPH-30003 R F	#87
$\triangle$ 71	3-072-417-01	LABEL, MODEL NUMBER (CEL)	for SCPH-30004 R F	#87
75	3-059-626-03	COVER, SCREW		#22
76	3-059-627-01	CAP		#22
84	3-067-170-01	TAPE (20X20), HARNESS STOPPER		#87
91	A-6705-440-A	MD BLOCK ASSY		#10
92	A-6705-439-A	SWITCH BLOCK ASSY		#87
93	X-3951-722-2	COVER ASSY, LOWER		#87
94	X-3951-721-2	COVER ASSY, UPPER		#87
95	X-3951-099-1	PLATE ASSY, ORNAMENTAL		#87
106	3-070-847-11	LID		#87
112	3-066-498-01	TAPE, VOID		#87
$\triangle$ 135	3-988-711-02	LABEL, LASER CAUTION		#87
151	1-757-934-11	CABLE, FLEXIBLE FLAT (FFC-011)		#12
151	1-757-934-21	CABLE, FLEXIBLE FLAT (FFC-011)		#12
151	1-757-934-31	CABLE, FLEXIBLE FLAT (FFC-011)		#12
151	1-757-934-41	CABLE, FLEXIBLE FLAT (FFC-011)		#12
152	1-823-341-11	CABLE, FLEXIBLE FLAT (FFC-015)		#12
152	1-823-341-21	CABLE, FLEXIBLE FLAT (FFC-015)		#12
152	1-823-341-51	CABLE, FLEXIBLE FLAT (FFC-015)		#12
156	3-071-970-01	SHIELD B (F)		#16
$\triangle$ 157	3-071-971-01	SHEET, INSULATING		#16
158	3-071-973-01	SHIELD HDD (F)		#87
162	3-069-212-01	TAPE, HARNESS STOPPER		#87
B265	3-069-170-01	TAPPING (B2X6.5)		#87
BV312	3-325-679-21	SCREW, TAPPING +BV 3X12		#87
BV316	3-070-296-01	TAPPING +BV 3X16		#87
BV316	3-325-679-91	SCREW (2 LOCK), +BV TAPPING		#87
M354	3-059-622-02	SCREW (M3X54), HEAD TAPPING		#87
M360	3-069-168-01	TITE (CZN), M3X6 +BV S		#87
T250	3-071-976-01	TAPPING (2X5)		#87

**CAUTION**  
Don't lose the insulating sheet when assemble the console.

MD Block



**CAUTION**

The components identified by mark  $\triangle$  or dotted line with mark.  $\triangle$  are critical for safety. Replace only with part number specified.

**CAUTION :**

Use of controls or adjustments or performance of procedures other than those specified herein may result in hazardous radiation exposure.

-----  
**MD BLOCK**  
-----

Ref-No.	Part No.	Description	Remark	Place code
2	1-763-700-21	MOTOR, DC (SPINDLE)		#10SP
3	1-763-639-21	MOTOR, DC (SLED)		#10
5	3-059-845-01	SCREW (B2X6.5), SHAFT RETAINER		#10
7	X-3951-637-1	FRAME ASSY, SUB		#10
8	3-065-277-01	INSULATOR		#10
9	3-065-276-01	SCREW, STEP		#10
10	3-071-957-01	CHASSIS, MAIN		#10
13	3-059-854-02	SHAFT, MAIN		#10
14	3-059-855-02	RACK		#10
16	3-060-399-01	SCREW, SKEW		#10
17	3-060-400-01	TAPPING (B2X6.5)		#10
22	3-062-728-01	0 PLATE 3 MAIN M2X3.2		#10
$\triangle$ 23	1-758-717-11	DEVICE, OPTICAL SF-HD7	Made by Sanyo(Not supply)	#10OP
$\triangle$ 23	8-820-151-01	DEVICE, OPTICAL KHS-400C	Made by Sony	#10OP
26	X-3952-057-1	CHASSIS ASSY, SUB		#10
27	X-3952-059-1	BRACKET ASSY, PULLEY		#10
28	X-3952-060-1	TRAY ASSY		#10TR
30	X-3952-058-1	FRAME ASSY, MAIN		#10
31	1-680-370-21	PWB, FLEXIBLE		#10
32	3-068-075-02	SCREW (SUB), STEP		#10
33	3-071-965-01	CAM, TILT		#10
34	3-071-966-01	SPRING (TILT), LEAF		#10
35	3-065-282-01	GUIDE (L)		#10
36	3-065-283-01	GUIDE (R)		#10
37	3-065-557-01	SCREW (M2X6.0)		#10

**CAUTION :**

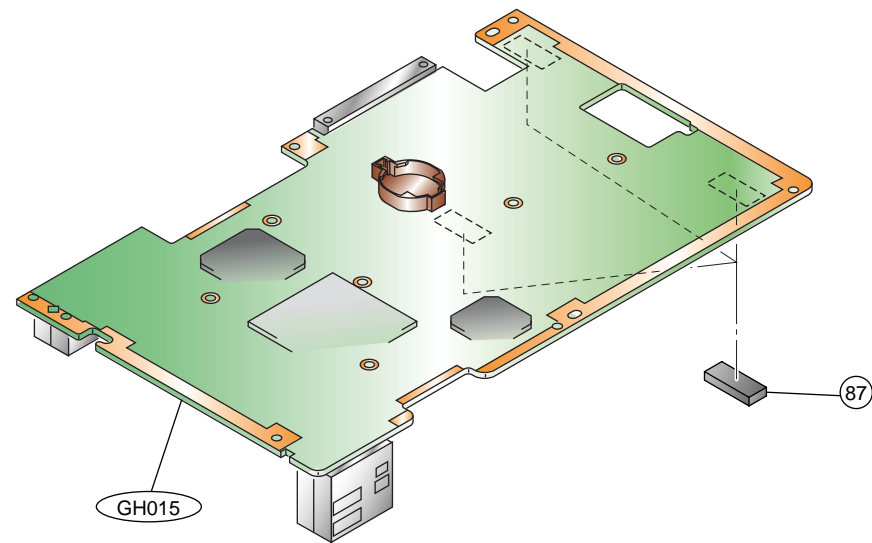
EEPROM DATA is different between optical device made by Sony and made by Sanyo. EEPROM DATA have to rewrite BASED ON replacing OPTICAL DEVICE.

**CAUTION :**

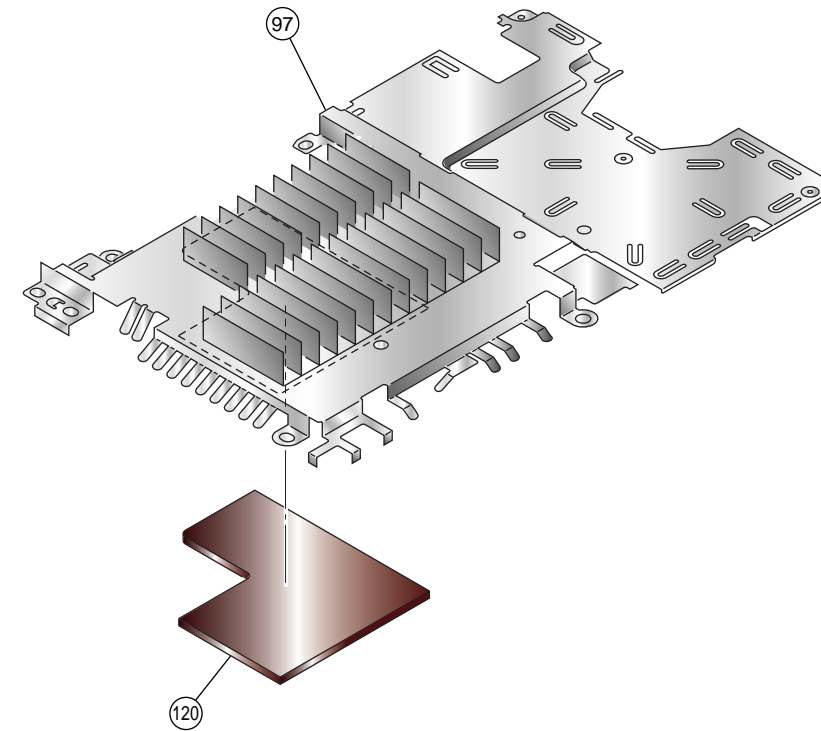
OPTICAL DEVICE is very delicate to static electricity. Be carefill for handling of it not to discharge static electricity from your body or etc. to OPTICAL DEVICE.



### GH Mount Block



### Shield (A) Assy Block



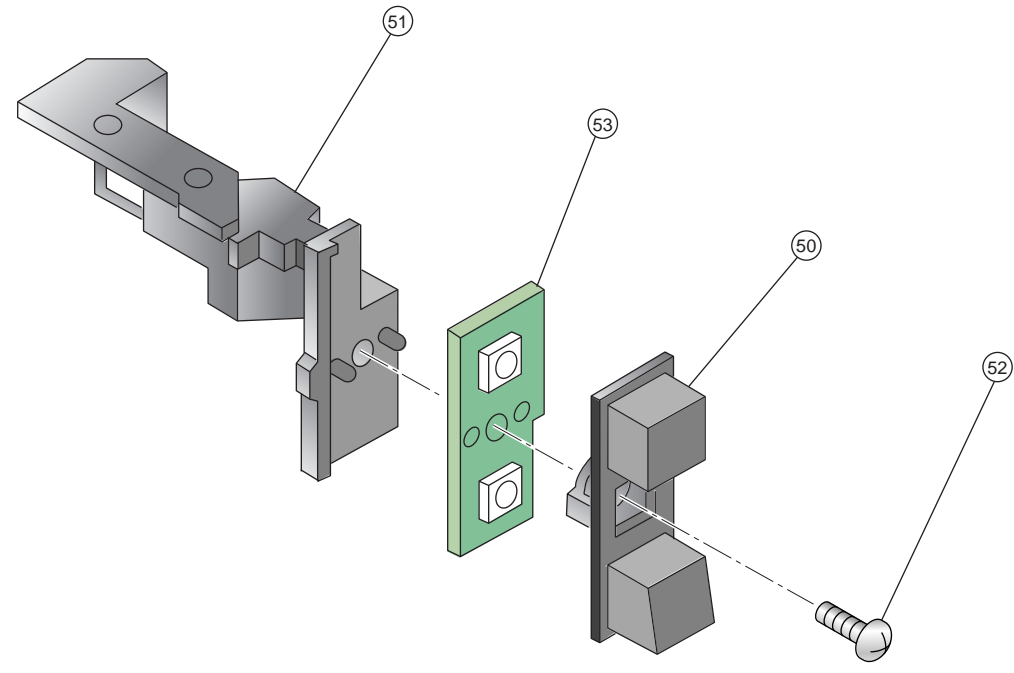
-----  
GH MOUNT BLOCK  
-----

Ref-No.	Part No.	Description	Remark	Place code
87	3-068-806-02	SHEET (DRIVER), ELECTRIC HEAT		#87
GH015	A-6715-504-A A-6714-504-A	GH-015(31/41) COMPL GH-015(31/41) MOUNT	for SCPH-30002 R	#25GH
GH015	A-6715-505-A A-6714-505-A	GH-015(31/41) COMPL GH-015(31/41) MOUNT	for SCPH-30003 R /-30004 R	#25GH

-----  
SHIELD (A) ASSY BLOCK  
-----

Ref-No.	Part No.	Description	Remark	Place code
97	X-3952-061-1	SHIELD A (F) ASSY		#87
97	X-3952-256-1	SHIELD A ASSY (F)		#87
120	3-059-652-01	SHEET (A), ELECTRIC HEAT		#87

# Switch Assy Block



-----  
SWITCH ASSY BLOCK  
-----

A-6705-439-A SWITCH ASSY BLOCK

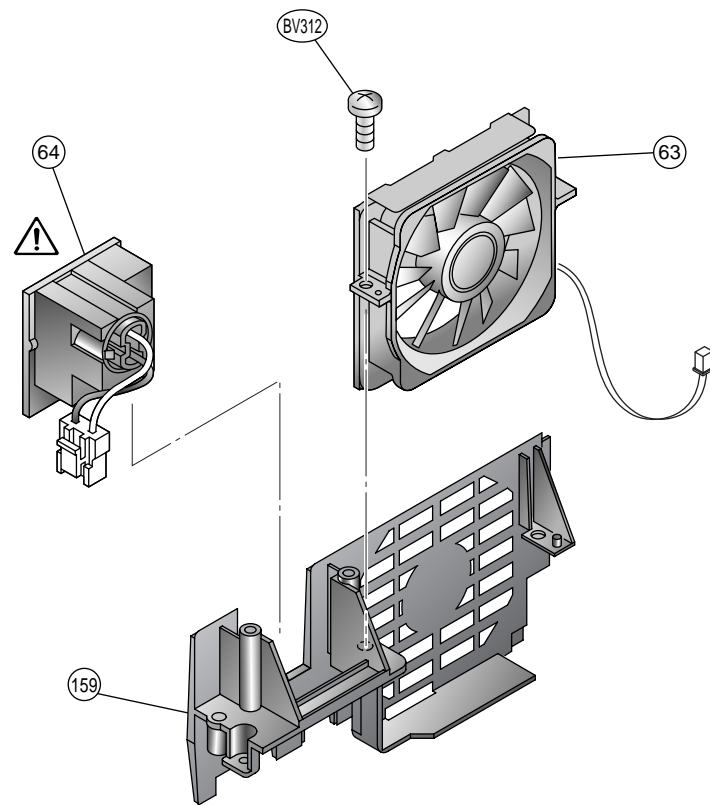
<u>Ref-No.</u>	<u>Part No.</u>	<u>Description</u>	<u>Remark</u>	<u>Place code</u>
50	3-059-665-03	BUTTON, SWITCH		#25SW
51	3-059-666-05	BRACKET, SWITCH		#25SW
51	3-066-494-01	BRACKET, SWITCH		#25SW
52	7-685-105-11	TPG +P 2X8, TYPE 2, NON-SLIT		#25SW
53	A-6715-500-A A-6714-500-A	SW-367 COMPL SW-367 MOUNT		#25SW
53	A-6787-465-A A-6787-466-A	SW-367 COMPL (VA) SW-367 MOUNT (VA)		#25SW

# Power Switch, Fan and Rear Panel Assy Block

## CAUTION

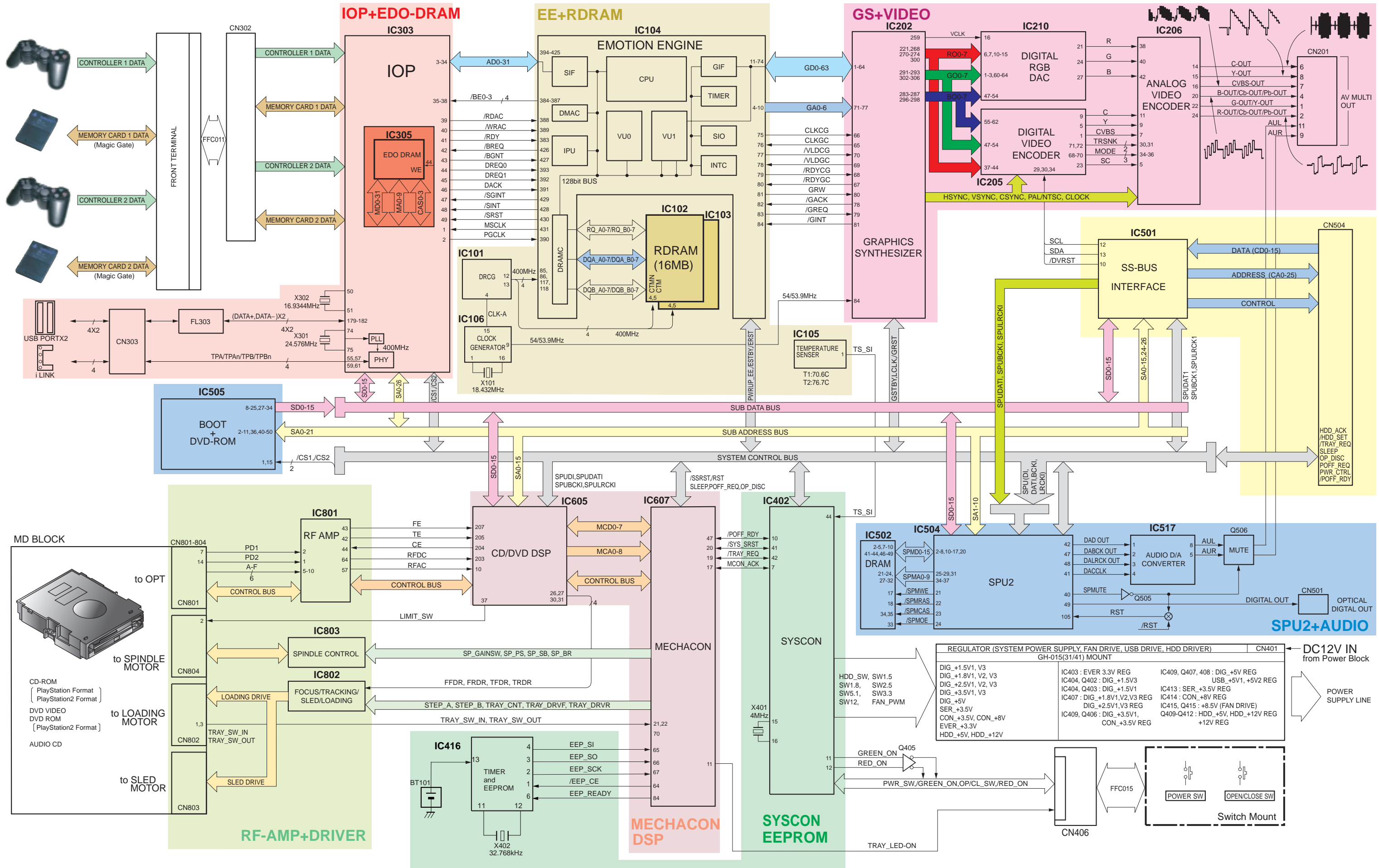
The components identified by mark  $\triangle$  or dotted line with mark  $\triangle$  are critical for safety. Replace only with part number specified.

**CAUTION :**  
Use of controls or adjustments or performance of procedures other than those specified herein may result in hazardous radiation exposure.



<u>Ref-No.</u>	<u>Part No.</u>	<u>Description</u>	<u>Remark</u>	<u>Place code</u>
63	1-763-480-31	DC. FAN		#74
63	1-763-554-31	FAN, DC		#74
63	1-763-756-21	FAN, D.C.		#74
$\triangle$ 64	1-771-995-31	SWITCH, POWER (WITH AC INLET)		#00
$\triangle$ 64	1-786-209-21	SWITCH, POWER (AC INLET)		#00
$\triangle$ 64	1-786-345-11	SWITCH, POWER (WITH AC INLET)		#00
159	3-071-901-11	PANEL, REAR		#87
BV312	3-325-679-21	SCREW, TAPPING +BV 3X12		#87

# BLOCK DIAGRAM






# PRINTED WIRING BOARDS AND SCHEMATIC DIAGRAMS

## THIS NOTE IS COMMON FOR PRINTED WIRING BOARDS AND SCHEMATIC DIAGRAMS.

### Note on Printed Wiring Boards :

- Through hole is omitted.
-  : Pattern on the side which is seen.

### Note on Schematic Diagram :

- Use caution when replacing chip parts.  
New parts must be attached after removal of chip.  
Be careful not to heat the minus side of tantalum capacitor, because it is damaged by the heat.
- All capacitors are in F unless otherwise noted. pF : F 50 WV or less are not indicated except for electrolytics and tantalums.
- All resistors are in  $\Omega$  and 1/4 W (Chip resistors : 1/10W) unless otherwise specified.
- Chip resistors are 1/8 W or 1/10 W unless otherwise noted.  
k  $\Omega$  : 1000 $\Omega$ , M $\Omega$  : 1000 k $\Omega$ .

#### Note :











The components identified by mark  $\triangle$  or dotted line with mark  $\triangle$  are critical for safety. Replace only with part number specified.

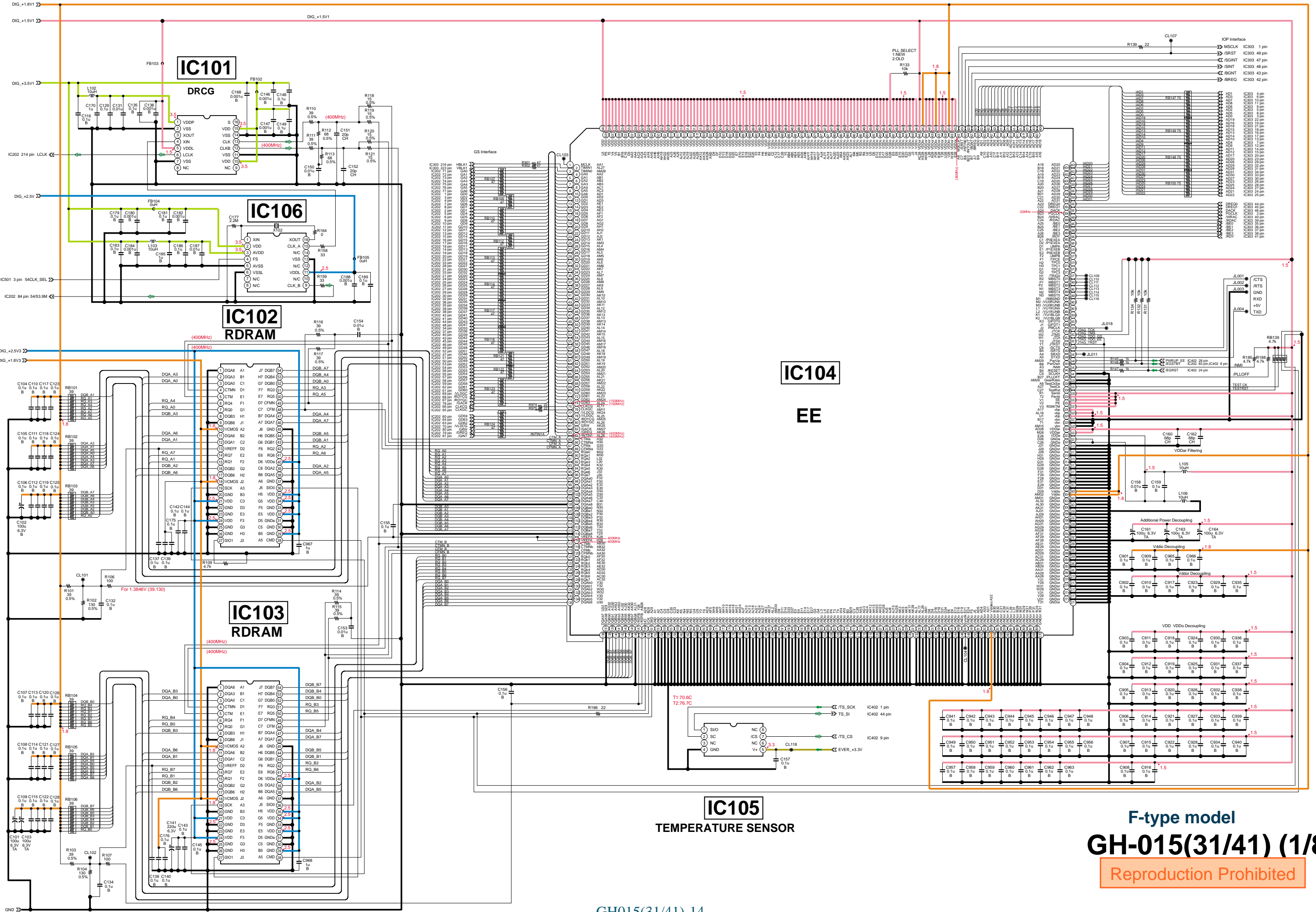
#### Note :

Les composants identifiés par une marque  $\triangle$  sont critiques pour la securite. Ne les remplacer que par une piece portant le numero specifie.

### Note on DC Power line :

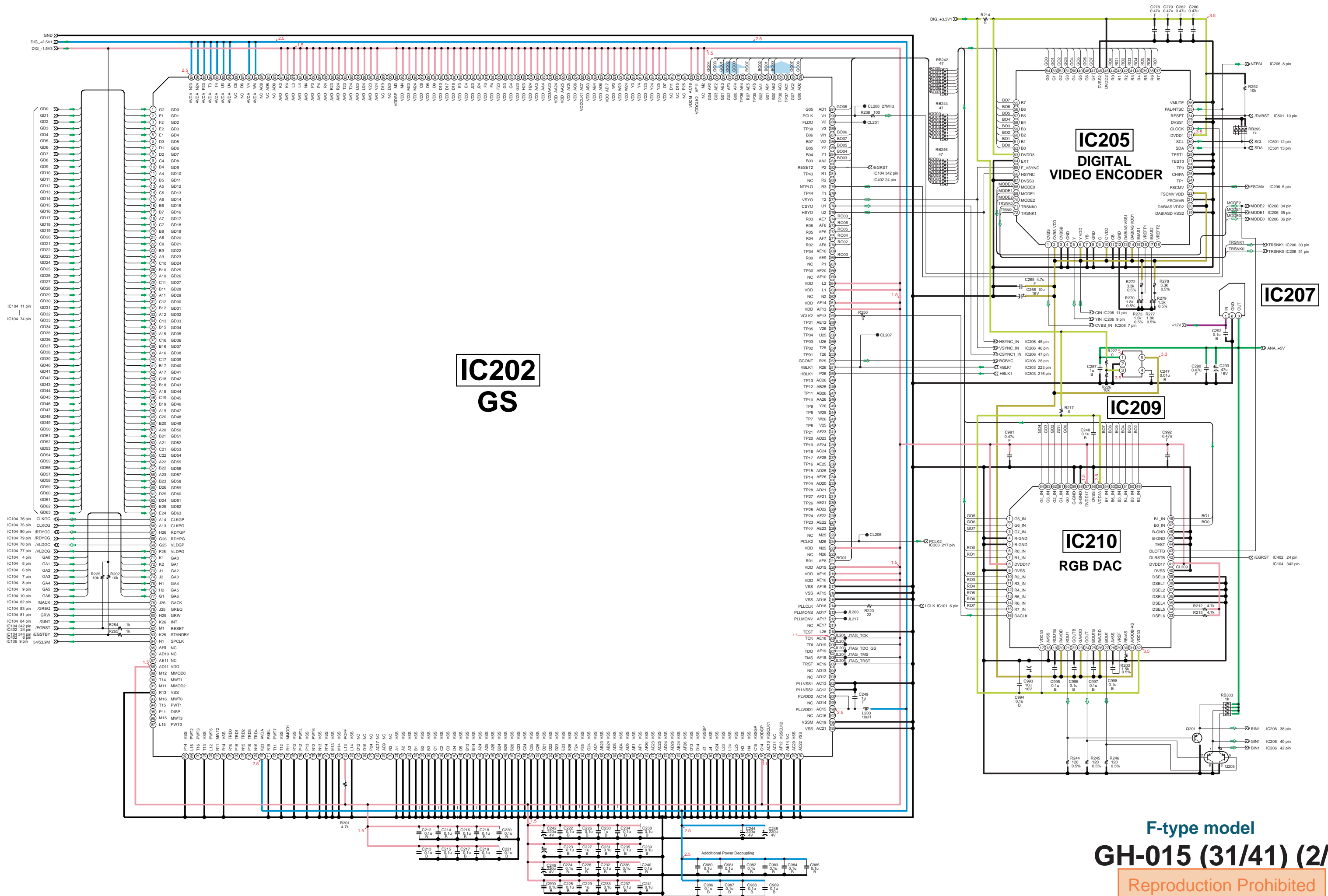
Unit of voltage is V (volt)

- |   |   |
|---|---|
| • +12V :   | • +3.3V :  |
| • +8.0V :  | • +2.5V :  |
| • +5.0V :  | • +1.8V :  |
| • +3.5V :  | • VC :     |
| • +1.7V :  | • +1.5V :  |
- 
- |   |  |
|---|--|
| • IN :   | • Main Signal Line :  |
| • OUT :  |  |



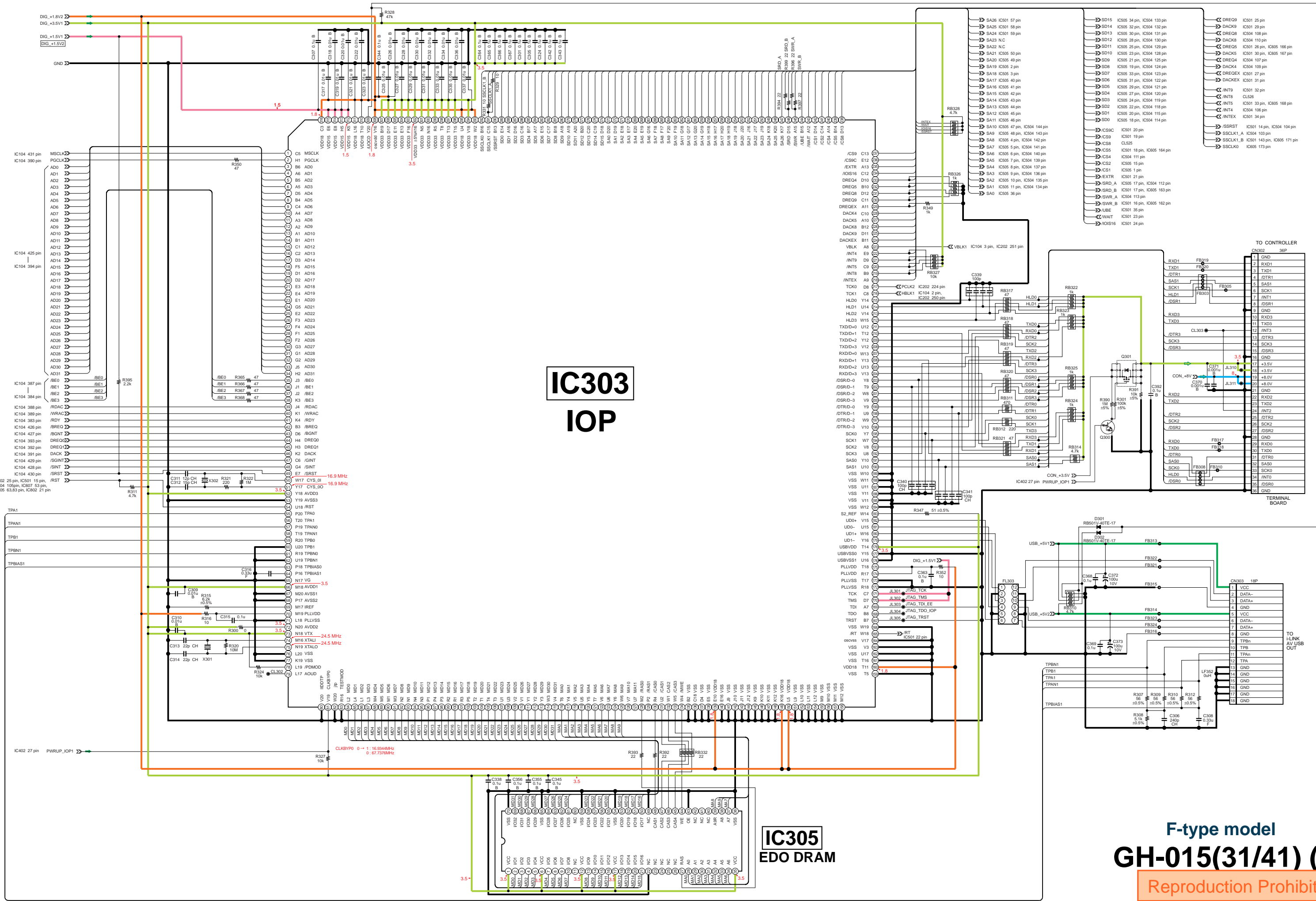
F-type model  
**GH-015(31/41) (1/8)**

Reproduction Prohibited



F-type model  
**GH-015 (31/41) (2/8)**  
 Reproduction Prohibited





**IC303  
IOP**

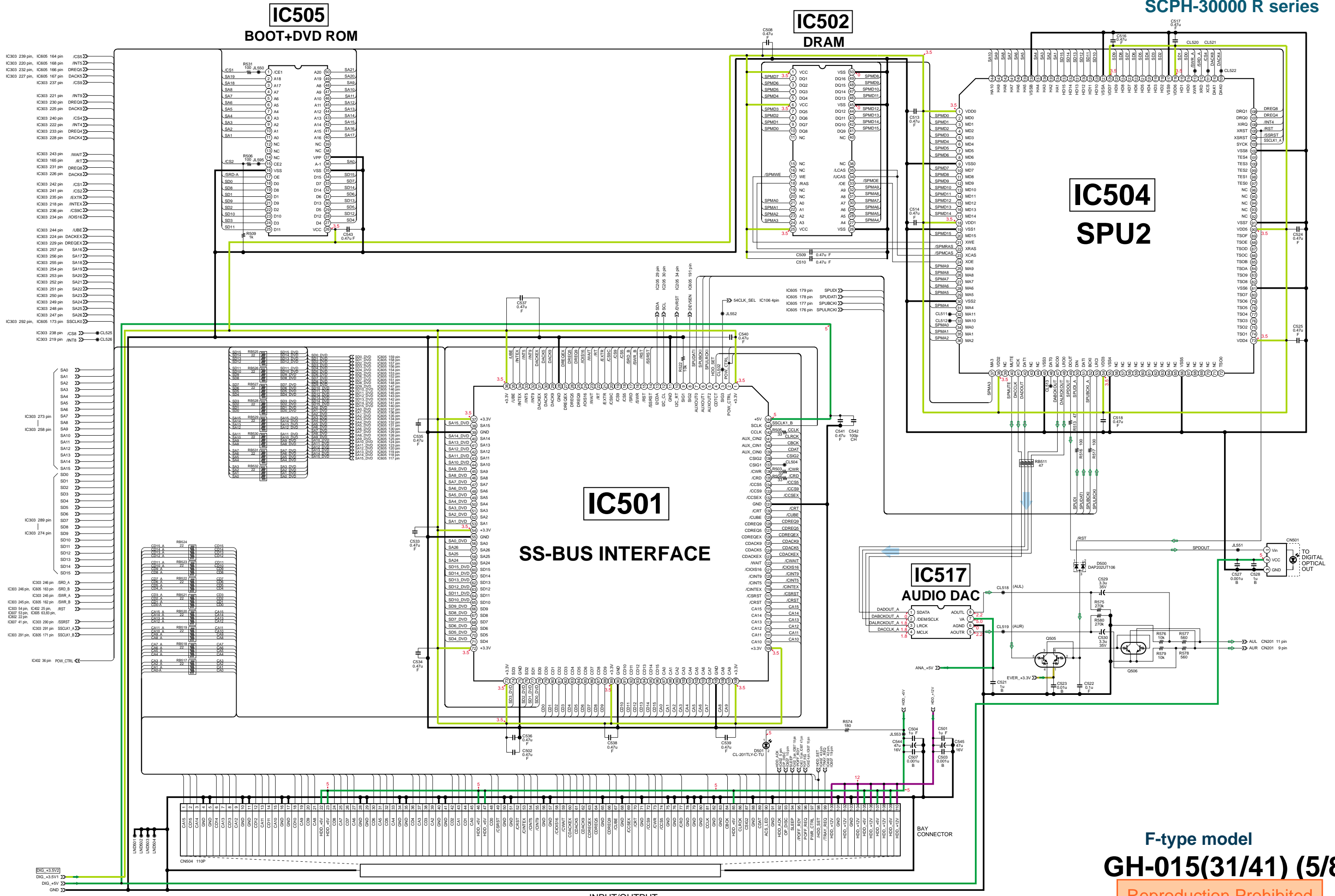
**IC305  
EDO DRAM**

**F-type model  
GH-015(31/41) (3/8)**

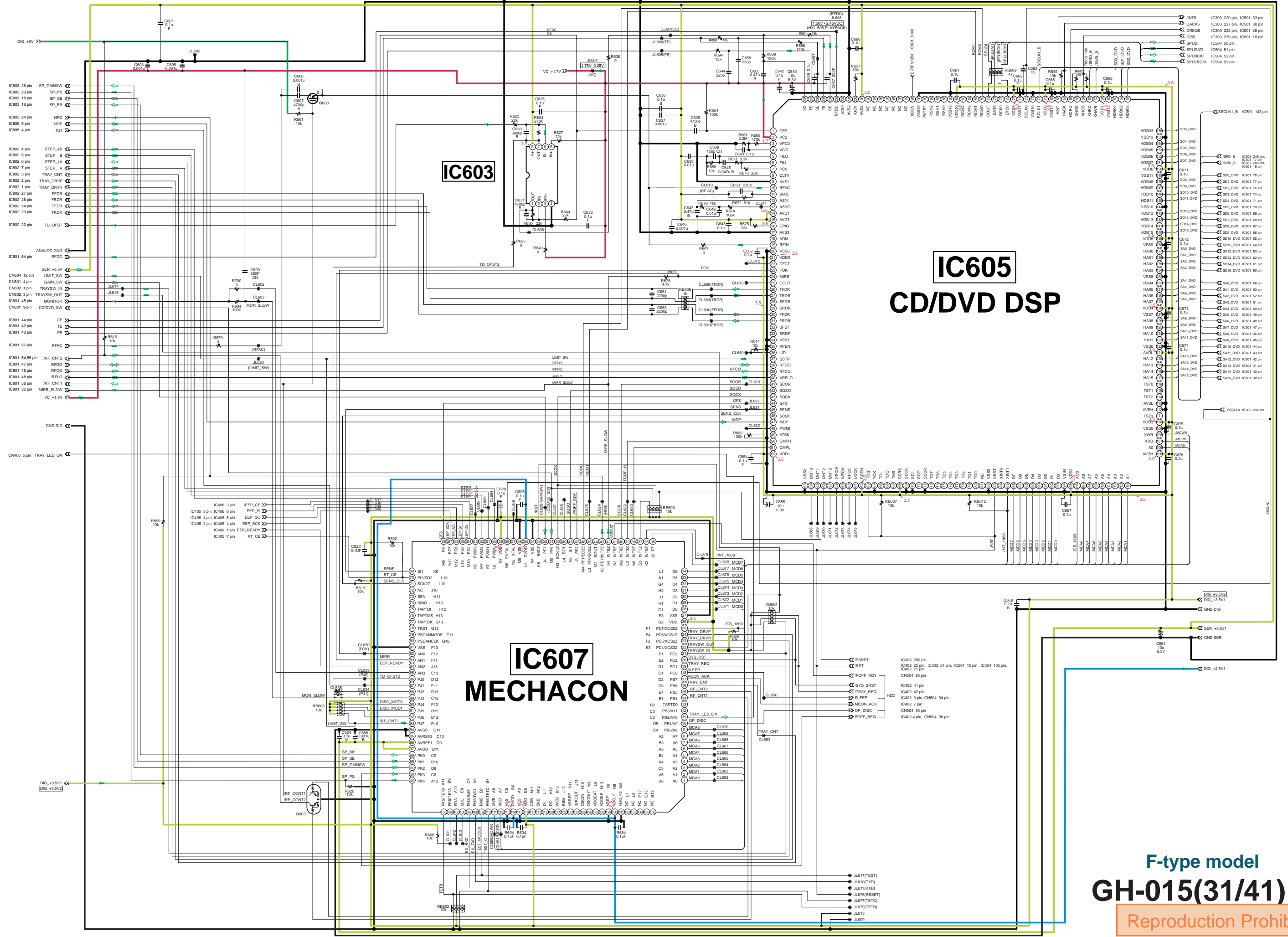
Reproduction Prohibited







F-type model  
**GH-015(31/41) (5/8)**  
 Reproduction Prohibited



IC603

IC605  
CD/DVD DSP

IC607  
MECHACON

F-type model  
GH-015(31/41) (6/8)

Reproduction Prohibited

IC806

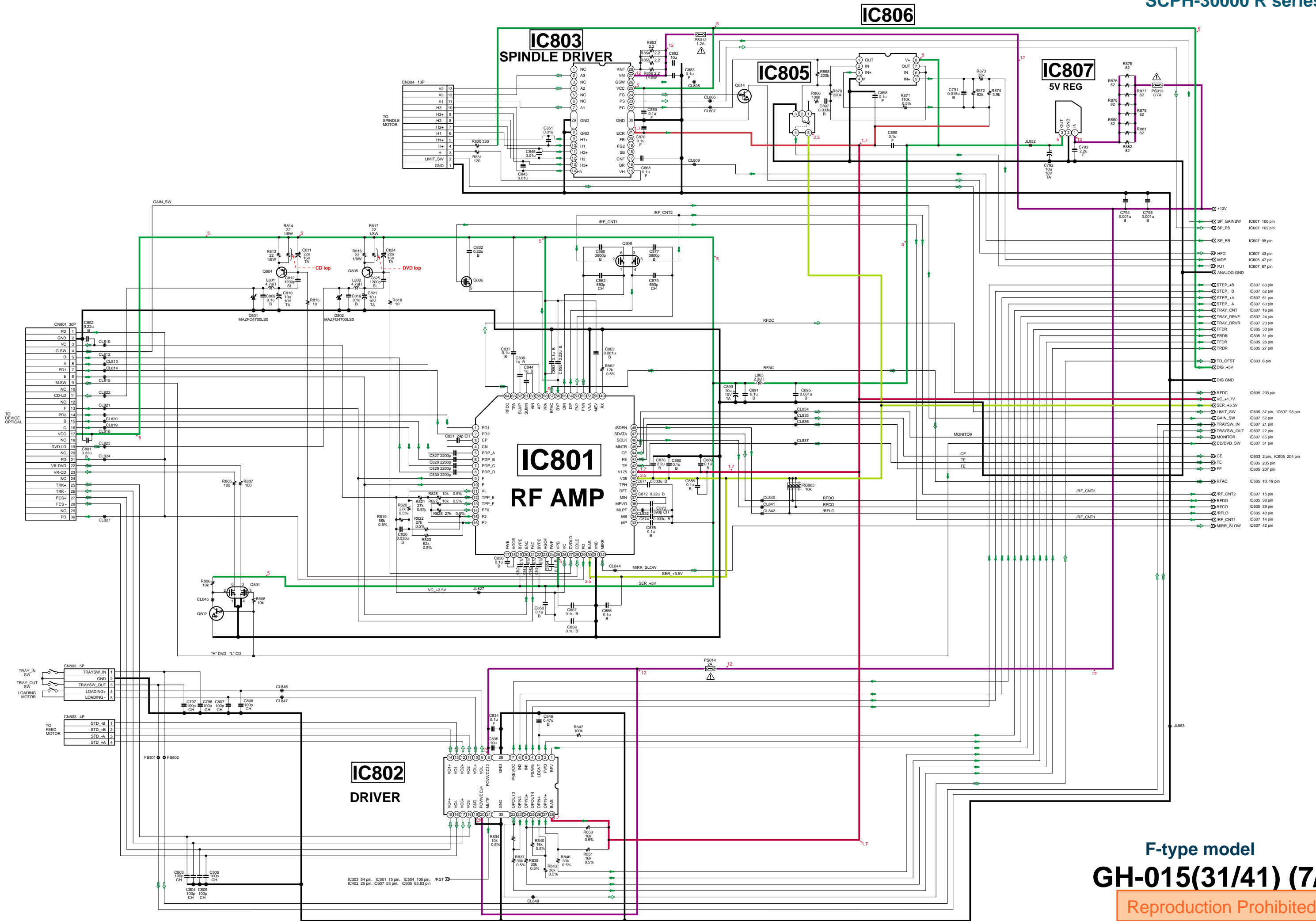
IC803 SPINDLE DRIVER

IC805

IC807 5V REG

IC801 RF AMP

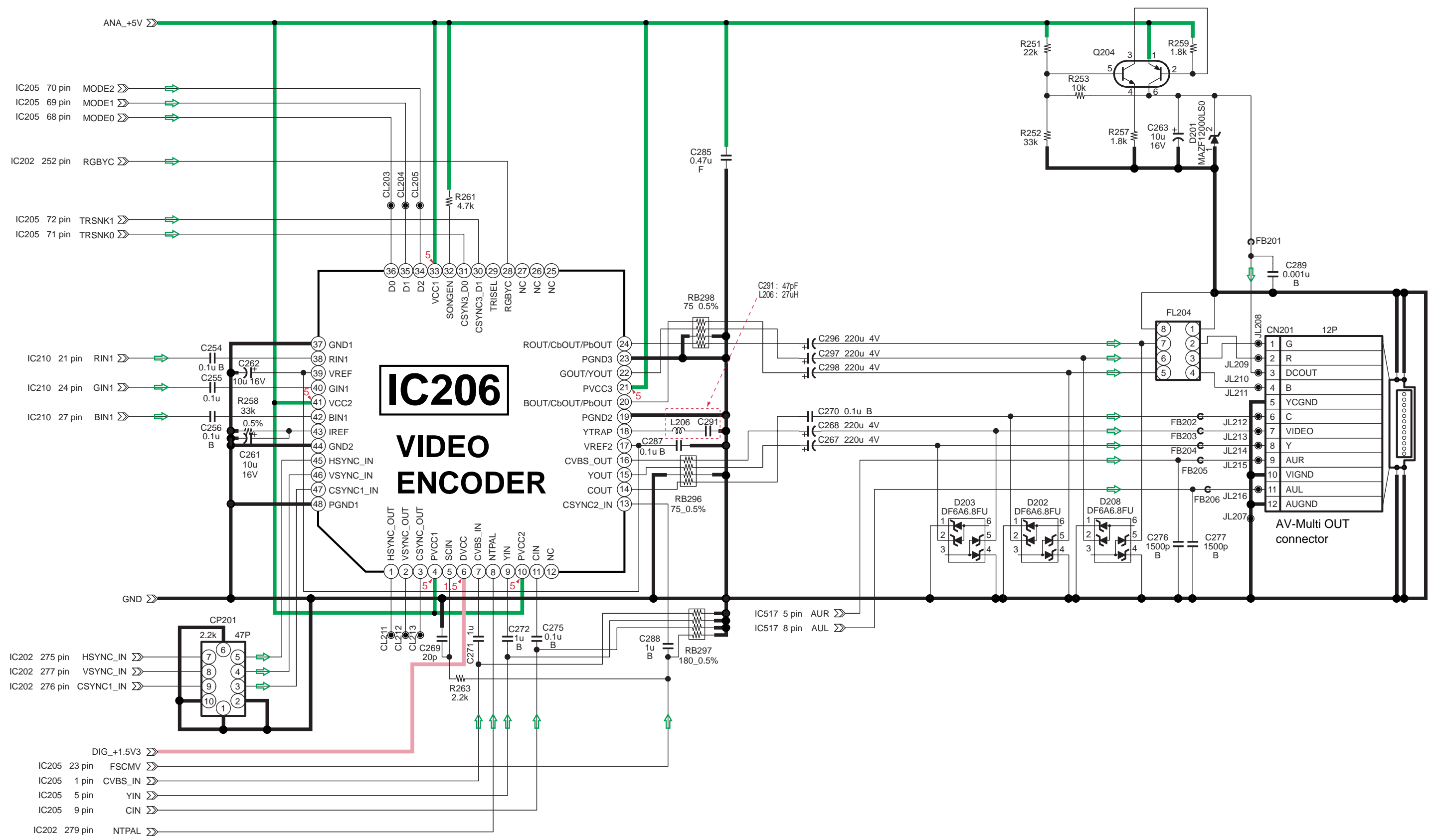
IC802 DRIVER



- IC807 100 pin
- IC807 102 pin
- IC807 98 pin
- IC807 43 pin
- IC805 47 pin
- IC807 87 pin
- IC807 63 pin
- IC807 62 pin
- IC807 61 pin
- IC807 60 pin
- IC807 15 pin
- IC807 24 pin
- IC807 23 pin
- IC805 30 pin
- IC805 31 pin
- IC805 26 pin
- IC805 27 pin
- IC803 6 pin
- IC805 203 pin
- IC805 37 pin, IC807 93 pin
- IC807 52 pin
- IC807 21 pin
- IC807 22 pin
- IC807 85 pin
- IC807 51 pin
- IC803 2 pin, IC805 204 pin
- IC805 205 pin
- IC805 207 pin
- IC805 10, 19 pin
- IC807 15 pin
- IC805 38 pin
- IC805 39 pin
- IC805 40 pin
- IC807 14 pin
- IC807 42 pin

F-type model  
**GH-015(31/41) (7/8)**  
 Reproduction Prohibited





F-type model  
**GH-015(31/41) (8/8)**  
 Reproduction Prohibited







ELECTRIC PARTS LIST

Ref.	Part No.	Description	Ref.	Part No.	Description	Ref.	Part No.	Description	Ref.	Part No.	Description
PWB	1-683-434-12	PWB, GH-015	C164	1-128-964-91	CAP, CHIP TANTALUM ELECT 100MF	C270	1-107-826-91	CAP, CHIP CERAMIC 100000PF B	C364	1-107-826-91	CAP, CHIP CERAMIC 100000PF B
PWB	1-683-434-22	PWB, GH-015	C168	1-162-964-91	CAP, CHIP CERAMIC 1000PF B (1608)	C271	1-125-837-91	CAP, CHIP CERAMIC 1MF B (1608)	C365	1-107-826-91	CAP, CHIP CERAMIC 100000PF B
BT101	1-756-076-21	HOLDER, LITHIUM BATTERY	C170	1-125-837-91	CAP, CHIP CERAMIC 1MF B (1608)	C272	1-125-837-91	CAP, CHIP CERAMIC 1MF B (1608)			
		<CAPACITOR>	C175	1-125-777-81	CAP, CHIP CERAMIC 0.1MF B (1005)						
C101	1-128-964-91	CAP, CHIP TANTALUM ELECT 100MF	C176	1-125-777-81	CAP, CHIP CERAMIC 0.1MF B (1005)	C275	1-107-826-91	CAP, CHIP CERAMIC 100000PF B	C366	1-107-826-91	CAP, CHIP CERAMIC 100000PF B
C102	1-128-964-91	CAP, CHIP TANTALUM ELECT 100MF	C177	1-216-861-91	RES, CHIP 2.2M (1608)	C276	1-162-965-91	CAP, CERAMIC 1500PF B (1608)	C367	1-107-826-91	CAP, CHIP CERAMIC 100000PF B
C103	1-128-964-91	CAP, CHIP TANTALUM ELECT 100MF	C179	1-107-826-91	CAP, CHIP CERAMIC 100000PF B	C277	1-162-965-91	CAP, CERAMIC 1500PF B (1608)	C368	1-125-777-81	CAP, CHIP CERAMIC 0.1MF B (1005)
C104	1-107-826-91	CAP, CHIP CERAMIC 100000PF B	C180	1-162-964-91	CAP, CHIP CERAMIC 1000PF B (1608)	C278	1-113-619-91	CAP, CERAMIC 470000PF F (1608)	C369	1-125-777-81	CAP, CHIP CERAMIC 0.1MF B (1005)
C105	1-107-826-91	CAP, CHIP CERAMIC 100000PF B	C181	1-107-826-91	CAP, CHIP CERAMIC 100000PF B	C279	1-113-619-91	CAP, CERAMIC 470000PF F (1608)	C370	1-162-964-91	CAP, CHIP CERAMIC 1000PF B (1608)
C106	1-107-826-91	CAP, CHIP CERAMIC 100000PF B	C182	1-162-964-91	CAP, CHIP CERAMIC 1000PF B (1608)	C282	1-113-619-91	CAP, CERAMIC 470000PF F (1608)	C371	1-162-964-91	CAP, CHIP CERAMIC 1000PF B (1608)
C107	1-107-826-91	CAP, CHIP CERAMIC 100000PF B	C183	1-107-826-91	CAP, CHIP CERAMIC 100000PF B	C285	1-113-619-91	CAP, CERAMIC 470000PF F (1608)	C372	1-165-492-21	CAP, ELECT 100MF
C108	1-107-826-91	CAP, CHIP CERAMIC 100000PF B	C184	1-162-964-91	CAP, CHIP CERAMIC 1000PF B (1608)	C286	1-113-619-91	CAP, CERAMIC 470000PF F (1608)	C373	1-165-492-21	CAP, ELECT 100MF
C109	1-107-826-91	CAP, CHIP CERAMIC 100000PF B	C185	1-125-837-91	CAP, CHIP CERAMIC 1MF B (1608)	C287	1-107-826-91	CAP, CHIP CERAMIC 100000PF B	C392	1-107-826-91	CAP, CHIP CERAMIC 100000PF B
C110	1-107-826-91	CAP, CHIP CERAMIC 100000PF B	C186	1-107-826-91	CAP, CHIP CERAMIC 100000PF B	C288	1-125-837-91	CAP, CHIP CERAMIC 1MF B (1608)	C401	1-125-777-81	CAP, CHIP CERAMIC 0.1MF B (1005)
C111	1-107-826-91	CAP, CHIP CERAMIC 100000PF B	C187	1-162-970-91	CAP, CERAMIC 10000PF B (1608)	C289	1-162-964-91	CAP, CHIP CERAMIC 1000PF B (1608)	C402	1-164-505-91	CAP, CHIP CERAMIC 2.2MF F (2012)
C112	1-107-826-91	CAP, CHIP CERAMIC 100000PF B	C188	1-162-964-91	CAP, CHIP CERAMIC 1000PF B (1608)	C290	1-113-619-91	CAP, CERAMIC 470000PF F (1608)	C403	1-164-937-81	CAP, CHIP CERAMIC 1000PF B (1005)
C113	1-107-826-91	CAP, CHIP CERAMIC 100000PF B	C189	1-107-826-91	CAP, CHIP CERAMIC 100000PF B (1608)	C291	1-162-923-91	CAP, CERAMIC 47PF CH (1608)	C404	1-125-837-91	CAP, CHIP CERAMIC 1MF B (1608)
C114	1-107-826-91	CAP, CHIP CERAMIC 100000PF B	C212	1-107-826-91	CAP, CHIP CERAMIC 100000PF B (1608)	C292	1-107-826-91	CAP, CHIP CERAMIC 100000PF B	C407	1-107-826-91	CAP, CHIP CERAMIC 100000PF B
C115	1-107-826-91	CAP, CHIP CERAMIC 100000PF B	C213	1-107-826-91	CAP, CHIP CERAMIC 100000PF B (1608)	C293	1-137-765-21	CAP, ELECT 47MF	C408	1-107-826-91	CAP, CHIP CERAMIC 100000PF B
C116	1-107-826-91	CAP, CHIP CERAMIC 100000PF B	C214	1-107-826-91	CAP, CHIP CERAMIC 100000PF B (1608)	C296	1-126-210-21	CAP, ELECT 220MF	C409	1-162-969-91	CAP, CERAMIC 6800PF B (1608)
C117	1-107-826-91	CAP, CHIP CERAMIC 100000PF B	C215	1-107-826-91	CAP, CHIP CERAMIC 100000PF B (1608)	C297	1-126-210-21	CAP, ELECT 220MF	C410	1-162-969-91	CAP, CERAMIC 6800PF B (1608)
C118	1-107-826-91	CAP, CHIP CERAMIC 100000PF B	C216	1-107-826-91	CAP, CHIP CERAMIC 100000PF B (1608)	C298	1-126-210-21	CAP, ELECT 220MF	C414	1-162-965-91	CAP, CERAMIC 1500PF B (1608)
C119	1-107-826-91	CAP, CHIP CERAMIC 100000PF B	C217	1-107-826-91	CAP, CHIP CERAMIC 100000PF B (1608)	C301	1-107-826-91	CAP, CHIP CERAMIC 100000PF B	C415	1-162-965-91	CAP, CERAMIC 1500PF B (1608)
C120	1-107-826-91	CAP, CHIP CERAMIC 100000PF B	C218	1-107-826-91	CAP, CHIP CERAMIC 100000PF B (1608)	C305	1-107-826-91	CAP, CHIP CERAMIC 100000PF B	C416	1-107-826-91	CAP, CHIP CERAMIC 100000PF B
C121	1-107-826-91	CAP, CHIP CERAMIC 100000PF B	C219	1-107-826-91	CAP, CHIP CERAMIC 100000PF B (1608)	C306	1-164-387-91	CAP, CERAMIC 240PF CH (1608)	C417	1-164-379-91	CAP, CERAMIC 43PF CH (1608)
C122	1-107-826-91	CAP, CHIP CERAMIC 100000PF B	C220	1-107-826-91	CAP, CHIP CERAMIC 100000PF B (1608)	C307	1-107-826-91	CAP, CHIP CERAMIC 100000PF B	C418	1-107-826-91	CAP, CHIP CERAMIC 100000PF B
C123	1-107-826-91	CAP, CHIP CERAMIC 100000PF B	C221	1-107-826-91	CAP, CHIP CERAMIC 100000PF B (1608)	C308	1-165-112-91	CAP, CERAMIC 330000PF F (1608)	C419	1-162-970-91	CAP, CERAMIC 100000PF B (1608)
C124	1-107-826-91	CAP, CHIP CERAMIC 100000PF B	C222	1-107-826-91	CAP, CHIP CERAMIC 100000PF B (1608)	C309	1-162-970-91	CAP, CERAMIC 10000PF B (1608)	C420	1-107-826-91	CAP, CHIP CERAMIC 100000PF B
C125	1-107-826-91	CAP, CHIP CERAMIC 100000PF B	C223	1-107-826-91	CAP, CHIP CERAMIC 100000PF B (1608)	C310	1-162-970-91	CAP, CERAMIC 10000PF B (1608)	C421	1-127-820-91	CAP, SQUARE TYPE CHIP 4.7MF
C126	1-107-826-91	CAP, CHIP CERAMIC 100000PF B	C224	1-107-826-91	CAP, CHIP CERAMIC 100000PF B (1608)	C311	1-162-916-91	CAP, CERAMIC 12PF CH (1608)	C422	1-107-826-91	CAP, CHIP CERAMIC 100000PF B
C127	1-107-826-91	CAP, CHIP CERAMIC 100000PF B	C225	1-107-826-91	CAP, CHIP CERAMIC 100000PF B (1608)	C312	1-162-917-91	CAP, CERAMIC 15PF CH (1608)	C423	1-107-826-91	CAP, CHIP CERAMIC 100000PF B
C128	1-107-826-91	CAP, CHIP CERAMIC 100000PF B	C226	1-107-826-91	CAP, CHIP CERAMIC 100000PF B (1608)	C313	1-162-919-91	CAP, CERAMIC 22PF CH (1608)	C424	1-127-820-91	CAP, SQUARE TYPE CHIP 4.7MF
C129	1-107-826-91	CAP, CHIP CERAMIC 100000PF B	C227	1-125-837-91	CAP, CHIP CERAMIC 1MF B (1608)	C314	1-162-919-91	CAP, CERAMIC 22PF CH (1608)	C425	1-124-779-21	CAP, ELECT 10MF
C131	1-162-970-91	CAP, CERAMIC 10000PF B (1608)	C228	1-125-837-91	CAP, CHIP CERAMIC 1MF B (1608)	C315	1-107-826-91	CAP, CHIP CERAMIC 100000PF B	C426	1-107-826-91	CAP, CHIP CERAMIC 100000PF B
C132	1-125-777-81	CAP, CHIP CERAMIC 0.1MF B (1005)	C229	1-125-837-91	CAP, CHIP CERAMIC 1MF B (1608)	C316	1-165-112-91	CAP, CERAMIC 330000PF F (1608)	C427	1-117-681-21	CAP, ELECT 100MF
C134	1-125-777-81	CAP, CHIP CERAMIC 0.1MF B (1005)	C230	1-125-837-91	CAP, CHIP CERAMIC 1MF B (1608)	C317	1-162-970-91	CAP, CERAMIC 10000PF B (1608)	C430	1-107-826-91	CAP, CHIP CERAMIC 100000PF B
C135	1-107-826-91	CAP, CHIP CERAMIC 100000PF B	C231	1-107-826-91	CAP, CHIP CERAMIC 100000PF B (1608)	C318	1-162-970-91	CAP, CERAMIC 10000PF B (1608)	C431	1-107-826-91	CAP, CHIP CERAMIC 100000PF B
C136	1-162-964-91	CAP, CHIP CERAMIC 1000PF B (1608)	C232	1-107-826-91	CAP, CHIP CERAMIC 100000PF B (1608)	C319	1-162-970-91	CAP, CERAMIC 10000PF B (1608)	C432	1-107-725-91	CAP, CERAMIC 100000PF B (2012)
C137	1-107-826-91	CAP, CHIP CERAMIC 100000PF B	C233	1-107-826-91	CAP, CHIP CERAMIC 100000PF B (1608)	C320	1-162-970-91	CAP, CERAMIC 10000PF B (1608)	C433	1-107-725-91	CAP, CERAMIC 100000PF B (2012)
C138	1-107-826-91	CAP, CHIP CERAMIC 100000PF B	C234	1-107-826-91	CAP, CHIP CERAMIC 100000PF B (1608)	C321	1-162-970-91	CAP, CERAMIC 10000PF B (1608)	C434	1-162-964-91	CAP, CHIP CERAMIC 1000PF B (1608)
C139	1-107-826-91	CAP, CHIP CERAMIC 100000PF B	C235	1-107-826-91	CAP, CHIP CERAMIC 100000PF B (1608)	C322	1-162-970-91	CAP, CERAMIC 10000PF B (1608)	C435	1-115-566-91	CAP, CERAMIC 4.7MF B
C140	1-107-826-91	CAP, CHIP CERAMIC 100000PF B	C236	1-107-826-91	CAP, CHIP CERAMIC 100000PF B (1608)	C323	1-162-970-91	CAP, CERAMIC 10000PF B (1608)	C437	1-107-826-91	CAP, CHIP CERAMIC 100000PF B
C141	1-128-964-91	CAP, CHIP TANTALUM ELECT 100MF	C237	1-107-826-91	CAP, CHIP CERAMIC 100000PF B (1608)	C324	1-107-826-91	CAP, CHIP CERAMIC 100000PF B	C438	1-107-826-91	CAP, CHIP CERAMIC 100000PF B
C142	1-107-826-91	CAP, CHIP CERAMIC 100000PF B	C238	1-107-826-91	CAP, CHIP CERAMIC 100000PF B (1608)	C325	1-162-970-91	CAP, CERAMIC 10000PF B (1608)	C439	1-165-643-21	CAP, ELECT 150MF
C143	1-107-826-91	CAP, CHIP CERAMIC 100000PF B	C239	1-107-826-91	CAP, CHIP CERAMIC 100000PF B (1608)	C326	1-162-970-91	CAP, CERAMIC 10000PF B (1608)	C441	1-165-643-21	CAP, ELECT 150MF
C144	1-107-826-91	CAP, CHIP CERAMIC 100000PF B	C240	1-107-826-91	CAP, CHIP CERAMIC 100000PF B (1608)	C327	1-162-970-91	CAP, CERAMIC 10000PF B (1608)	C443	1-165-880-21	CAP, ELECT 220MF
C145	1-107-826-91	CAP, CHIP CERAMIC 100000PF B	C241	1-107-826-91	CAP, CHIP CERAMIC 100000PF B (1608)	C328	1-162-970-91	CAP, CERAMIC 10000PF B (1608)	C443	1-165-941-21	CAP, ELECT 180MF
C146	1-162-964-91	CAP, CHIP CERAMIC 1000PF B (1608)	C242	1-135-609-91	CAP, CHIP TANTALUM ELECT 220MF	C329	1-162-970-91	CAP, CERAMIC 10000PF B (1608)	C444	1-107-826-91	CAP, CHIP CERAMIC 100000PF B
C147	1-162-964-91	CAP, CHIP CERAMIC 1000PF B (1608)	C244	1-128-707-22	CAP, TANTALUM ELECT (SMD)220	C330	1-162-970-91	CAP, CERAMIC 10000PF B (1608)	C445	1-117-720-91	CAP, CERAMIC 4.7MF F (2012)
C148	1-107-826-91	CAP, CHIP CERAMIC 100000PF B	C245	1-128-707-22	CAP, TANTALUM ELECT (SMD)220	C331	1-162-970-91	CAP, CERAMIC 10000PF B (1608)	C446	1-165-880-21	CAP, ELECT 220MF
C149	1-107-826-91	CAP, CHIP CERAMIC 100000PF B	C246	1-135-609-91	CAP, CHIP TANTALUM ELECT 220MF	C332	1-162-970-91	CAP, CERAMIC 10000PF B (1608)	C446	1-165-941-21	CAP, ELECT 180MF
C150	1-162-970-91	CAP, CERAMIC 10000PF B (1608)	C247	1-162-970-91	CAP, CERAMIC 10000PF B (1608)	C333	1-162-970-91	CAP, CERAMIC 10000PF B (1608)	C447	1-107-682-91	CAP, CERAMIC 1000000PF B (3216)
C151	1-164-160-91	CAP, CERAMIC 20PF CH (1608)	C248	1-125-777-81	CAP, CHIP CERAMIC 0.1MF B (1005)	C334	1-162-970-91	CAP, CERAMIC 10000PF B (1608)	C449	1-162-964-91	CAP, CHIP CERAMIC 1000PF B (1608)
C152	1-164-160-91	CAP, CERAMIC 20PF CH (1608)	C249	1-115-156-91	CAP, CERAMIC 1000000PF F (1608)	C335	1-162-970-91	CAP, CERAMIC 10000PF B (1608)	C450	1-107-826-91	CAP, CHIP CERAMIC 100000PF B
C153	1-162-970-91	CAP, CERAMIC 10000PF B (1608)	C254	1-125-777-81	CAP, CHIP CERAMIC 0.1MF B (1005)	C336	1-162-970-91	CAP, CERAMIC 10000PF B (1608)	C452	1-164-156-91	CAP, CHIP CERAMIC 0.1MF F (1608)
C154	1-162-970-91	CAP, CERAMIC 10000PF B (1608)	C255	1-125-777-81	CAP, CHIP CERAMIC 0.1MF B (1005)	C337	1-162-970-91	CAP, CERAMIC 10000PF B (1608)	C453	1-164-156-91	CAP, CHIP CERAMIC 0.1MF F (1608)
C155	1-107-826-91	CAP, CHIP CERAMIC 100000PF B	C256	1-107-826-91	CAP, CHIP CERAMIC 100000PF B	C338	1-125-777-81	CAP, CHIP CERAMIC 0.1MF B (1005)	C455	1-127-820-91	CAP, SQUARE TYPE CHIP 4.7MF
C156	1-107-826-91	CAP, CHIP CERAMIC 100000PF B	C257	1-125-837-91	CAP, CHIP CERAMIC 1MF B (1608)	C339	1-165-795-21	CAP, CERAMIC 100PF CH (3216)	C456	1-127-760-91	CAP, CERAMIC 4.7MF (2012)
C157	1-125-777-81	CAP, CHIP CERAMIC 0.1MF B (1005)	C261	1-128-004-21	CAP, ELECT (CHIP) 10MF	C340	1-165-795-21	CAP, CERAMIC 100PF CH (3216)	C458	1-162-964-91	CAP, CHIP CERAMIC 1000PF B (1608)
C158	1-162-970-91	CAP, CERAMIC 10000PF B (1608)	C262	1-128-004-21	CAP, ELECT (CHIP) 10MF	C341	1-165-795-21	CAP, CERAMIC 100PF CH (3216)	C462	1-163-009-91	CAP, CHIP CERAMIC 1000PF B (2012)
C159	1-107-826-91	CAP, CHIP CERAMIC 100000PF B	C263	1-128-004-21	CAP, ELECT (CHIP) 10MF	C342					



Ref.	Part No.	Description
C475	1-164-227-91	CAP,CERAMIC 22000PF B (1608)
C476	1-107-725-91	CAP, CERAMIC 100000PF B (2012)
C477	1-107-826-91	CAP, CHIP CERAMIC 100000PF B
C478	1-126-209-21	CAP, ELECT 100MF
C480	1-107-725-91	CAP, CERAMIC 100000PF B (2012)
C482	1-107-826-91	CAP, CHIP CERAMIC 100000PF B
C483	1-107-826-91	CAP, CHIP CERAMIC 100000PF B
C485	1-107-826-91	CAP, CHIP CERAMIC 100000PF B
C486	1-137-765-21	CAP, ELECT 47MF
C487	1-165-874-21	CAP, ELECT 120MF
C488	1-115-566-91	CAP, CERAMIC 4.7MF B
C489	1-165-874-21	CAP, ELECT 120MF
C490	1-126-209-21	CAP, ELECT 100MF
C491	1-126-209-21	CAP, ELECT 100MF
C494	1-107-725-91	CAP, CERAMIC 100000PF B (2012)
C495	1-125-837-91	CAP, CHIP CERAMIC 1MF B (1608)
C496	1-107-682-91	CAP, CERAMIC 1000000PF B (3216)
C497	1-162-964-91	CAP,CHIP CERAMIC 1000PF B (1608)
C498	1-127-760-91	CAP, CERAMIC 4.7MF (2012)
C499	1-164-505-91	CAP, CHIP CERAMIC 2.2MF F (2012)
C501	1-164-346-91	CAP, CHIP CERAMIC 1MF F (2012)
C502	1-113-619-91	CAP, CERAMIC 470000PF F (1608)
C503	1-163-009-91	CAP,CHIP CERAMIC 1000PF B (2012)
C504	1-164-346-91	CAP, CHIP CERAMIC 1MF F (2012)
C507	1-163-009-91	CAP,CHIP CERAMIC 1000PF B (2012)
C508	1-113-619-91	CAP, CERAMIC 470000PF F (1608)
C509	1-113-619-91	CAP, CERAMIC 470000PF F (1608)
C510	1-113-619-91	CAP, CERAMIC 470000PF F (1608)
C513	1-113-619-91	CAP, CERAMIC 470000PF F (1608)
C514	1-113-619-91	CAP, CERAMIC 470000PF F (1608)
C516	1-113-619-91	CAP, CERAMIC 470000PF F (1608)
C517	1-113-619-91	CAP, CERAMIC 470000PF F (1608)
C518	1-113-619-91	CAP, CERAMIC 470000PF F (1608)
C521	1-125-837-91	CAP, CHIP CERAMIC 1MF B (1608)
C522	1-164-156-91	CAP, CHIP CERAMIC 0.1MF F (1608)
C523	1-162-970-91	CAP, CERAMIC 10000PF B (1608)
C524	1-113-619-91	CAP, CERAMIC 470000PF F (1608)
C525	1-113-619-91	CAP, CERAMIC 470000PF F (1608)
C527	1-162-964-91	CAP,CHIP CERAMIC 1000PF B (1608)
C528	1-125-837-91	CAP, CHIP CERAMIC 1MF B (1608)
C529	1-128-008-21	CAP, ELECT (CHIP) 3.3MF
C530	1-128-008-21	CAP, ELECT (CHIP) 3.3MF
C533	1-113-619-91	CAP, CERAMIC 470000PF F (1608)
C534	1-113-619-91	CAP, CERAMIC 470000PF F (1608)
C535	1-113-619-91	CAP, CERAMIC 470000PF F (1608)
C536	1-113-619-91	CAP, CERAMIC 470000PF F (1608)
C537	1-113-619-91	CAP, CERAMIC 470000PF F (1608)
C538	1-113-619-91	CAP, CERAMIC 470000PF F (1608)
C539	1-113-619-91	CAP, CERAMIC 470000PF F (1608)
C540	1-113-619-91	CAP, CERAMIC 470000PF F (1608)
C541	1-113-619-91	CAP, CERAMIC 470000PF F (1608)
C542	1-162-927-91	CAP, CERAMIC 100PF CH (1608)
C543	1-113-619-91	CAP, CERAMIC 470000PF F (1608)
C544	1-137-765-21	CAP, ELECT 47MF
C545	1-137-765-21	CAP, ELECT 47MF
C601	1-164-156-91	CAP, CHIP CERAMIC 0.1MF F (1608)
C603	1-162-964-91	CAP,CHIP CERAMIC 1000PF B (1608)
C605	1-162-964-91	CAP,CHIP CERAMIC 1000PF B (1608)
C606	1-162-964-91	CAP,CHIP CERAMIC 1000PF B (1608)
C607	1-162-968-91	CAP,CHIP CERAMIC 4700PF B (1608)
C609	1-164-739-91	CAP, CERAMIC 560PF CH (1608)
C623	1-164-156-91	CAP, CHIP CERAMIC 0.1MF F (1608)
C624	1-107-826-91	CAP, CHIP CERAMIC 100000PF B
C625	1-164-156-91	CAP, CHIP CERAMIC 0.1MF F (1608)
C629	1-164-156-91	CAP, CHIP CERAMIC 0.1MF F (1608)

Ref.	Part No.	Description
C630	1-164-173-91	CAP,CERAMIC 3900PF B (1608)
C631	1-162-968-91	CAP,CHIP CERAMIC 4700PF B (1608)
C633	1-164-156-91	CAP, CHIP CERAMIC 0.1MF F (1608)
C634	1-164-156-91	CAP, CHIP CERAMIC 0.1MF F (1608)
C635	1-162-968-91	CAP,CHIP CERAMIC 4700PF B (1608)
C636	1-107-826-91	CAP, CHIP CERAMIC 100000PF B
C637	1-162-964-91	CAP,CHIP CERAMIC 1000PF B (1608)
C638	1-162-970-91	CAP, CERAMIC 10000PF B (1608)
C639	1-164-217-91	CAP,CERAMIC 150PF CH (1608)
C640	1-135-259-91	CAP, CHIP TANTALUM ELECT 10MF
C642	1-164-156-91	CAP, CHIP CERAMIC 0.1MF F (1608)
C643	1-107-826-91	CAP, CHIP CERAMIC 100000PF B
C644	1-164-230-91	CAP,CERAMIC 220PF CH (1608)
C645	1-165-176-91	CAP,CERAMIC 47000PF B (1608)
C646	1-162-964-91	CAP,CHIP CERAMIC 1000PF B (1608)
C647	1-117-863-91	CAP, CHIP CERAMIC0.47MF B (1608)
C648	1-164-156-91	CAP, CHIP CERAMIC 0.1MF F (1608)
C649	1-162-970-91	CAP, CERAMIC 10000PF B (1608)
C650	1-164-230-91	CAP,CERAMIC 220PF CH (1608)
C651	1-162-966-91	CAP, CERAMIC 2200PF B (1608)
C652	1-107-826-91	CAP, CHIP CERAMIC 100000PF B
C653	1-162-966-91	CAP, CERAMIC 2200PF B (1608)
C654	1-164-156-91	CAP, CHIP CERAMIC 0.1MF F (1608)
C655	1-135-259-91	CAP, CHIP TANTALUM ELECT 10MF
C656	1-164-156-91	CAP, CHIP CERAMIC 0.1MF F (1608)
C657	1-164-230-91	CAP,CERAMIC 220PF CH (1608)
C658	1-164-230-91	CAP,CERAMIC 220PF CH (1608)
C660	1-107-826-91	CAP, CHIP CERAMIC 100000PF B
C661	1-164-156-91	CAP, CHIP CERAMIC 0.1MF F (1608)
C662	1-164-156-91	CAP, CHIP CERAMIC 0.1MF F (1608)
C664	1-135-259-91	CAP, CHIP TANTALUM ELECT 10MF
C665	1-164-156-91	CAP, CHIP CERAMIC 0.1MF F (1608)
C666	1-164-156-91	CAP, CHIP CERAMIC 0.1MF F (1608)
C667	1-164-156-91	CAP, CHIP CERAMIC 0.1MF F (1608)
C668	1-107-826-91	CAP, CHIP CERAMIC 100000PF B
C671	1-164-156-91	CAP, CHIP CERAMIC 0.1MF F (1608)
C672	1-164-156-91	CAP, CHIP CERAMIC 0.1MF F (1608)
C673	1-164-156-91	CAP, CHIP CERAMIC 0.1MF F (1608)
C674	1-164-156-91	CAP, CHIP CERAMIC 0.1MF F (1608)
C675	1-164-156-91	CAP, CHIP CERAMIC 0.1MF F (1608)
C676	1-164-156-91	CAP, CHIP CERAMIC 0.1MF F (1608)
C684	1-164-156-91	CAP, CHIP CERAMIC 0.1MF F (1608)
C685	1-117-863-91	CAP, CHIP CERAMIC0.47MF B (1608)
C688	1-162-964-91	CAP,CHIP CERAMIC 1000PF B (1608)
C693	1-162-912-91	CAP, CERAMIC 7.0PF CH (1608)
C694	1-164-156-91	CAP, CHIP CERAMIC 0.1MF F (1608)
C695	1-164-156-91	CAP, CHIP CERAMIC 0.1MF F (1608)
C701	1-162-927-91	CAP, CERAMIC 100PF CH (1608)
C702	1-162-927-91	CAP, CERAMIC 100PF CH (1608)
C703	1-165-795-21	CAP, CERAMIC 100PF CH (3216)
C711	1-135-346-21	CAP, SOLID ELECT 39MF
C712	1-162-970-91	CAP, CERAMIC 10000PF B (1608)
C714	1-135-346-21	CAP, SOLID ELECT 39MF
C716	1-165-874-21	CAP, ELECT 120MF
C717	1-135-346-21	CAP, SOLID ELECT 39MF
C718	1-135-346-21	CAP, SOLID ELECT 39MF
C722	1-164-937-81	CAP, CHIP CERAMIC 1000PF B (1005)
C723	1-137-766-21	CAP, ELECT 68MF
C724	1-137-765-21	CAP, ELECT 47MF
C725	1-124-779-21	CAP, ELECT 10MF
C727	1-162-964-91	CAP,CHIP CERAMIC 1000PF B (1608)
C730	1-127-820-91	CAP, SQUARE TYPE CHIP 4.7MF
C731	1-165-811-91	CAP, CHIP CERAMIC 22MF B (4532)
C732	1-165-811-91	CAP, CHIP CERAMIC 22MF B (4532)
C791	1-164-245-91	CAP,CERAMIC 15000PF B (1608)

Ref.	Part No.	Description
C792	1-104-851-91	CAP, CHIP TANTALUM ELECT 10MF
C793	1-164-505-91	CAP, CHIP CERAMIC 2.2MF F (2012)
C794	1-163-009-91	CAP,CHIP CERAMIC 1000PF B (2012)
C795	1-163-009-91	CAP,CHIP CERAMIC 1000PF B (2012)
C797	1-162-927-91	CAP, CERAMIC 100PF CH (1608)
C798	1-162-927-91	CAP, CERAMIC 100PF CH (1608)
C801	1-115-467-91	CAP, CHIP CERAMIC0.22MF B (1608)
C802	1-115-467-91	CAP, CHIP CERAMIC0.22MF B (1608)
C803	1-162-927-91	CAP, CERAMIC 100PF CH (1608)
C804	1-162-927-91	CAP, CERAMIC 100PF CH (1608)
C805	1-162-927-91	CAP, CERAMIC 100PF CH (1608)
C806	1-162-927-91	CAP, CERAMIC 100PF CH (1608)
C807	1-162-927-91	CAP, CERAMIC 100PF CH (1608)
C808	1-162-927-91	CAP, CERAMIC 100PF CH (1608)
C809	1-107-826-91	CAP, CHIP CERAMIC 100000PF B
C810	1-104-851-91	CAP, CHIP TANTALUM ELECT 10MF
C811	1-135-900-21	CAP, TANTALUM ELECT 22MF
C812	1-164-730-91	CAP,CERAMIC 1200PF B (1608)
C819	1-107-826-91	CAP, CHIP CERAMIC 100000PF B
C821	1-104-851-91	CAP, CHIP TANTALUM ELECT 10MF
C824	1-135-900-21	CAP, TANTALUM ELECT 22MF
C825	1-164-730-91	CAP,CERAMIC 1200PF B (1608)
C826	1-164-677-91	CAP,CERAMIC 33000PF B (1608)
C827	1-162-966-91	CAP, CERAMIC 2200PF B (1608)
C828	1-162-966-91	CAP, CERAMIC 2200PF B (1608)
C829	1-162-966-91	CAP, CERAMIC 2200PF B (1608)
C830	1-162-966-91	CAP, CERAMIC 2200PF B (1608)
C831	1-162-975-91	CAP, CERAMIC 24PF CH (1608)
C832	1-115-467-91	CAP, CHIP CERAMIC0.22MF B (1608)
C834	1-163-038-91	CAP, CERAMIC 100000PF F (2012)
C835	1-127-692-91	CAP, CHIP CERAMIC 10MF B (3225)
C836	1-107-826-91	CAP, CHIP CERAMIC 100000PF B
C837	1-107-826-91	CAP, CHIP CERAMIC 100000PF B
C839	1-125-837-91	CAP, CHIP CERAMIC 1MF B (1608)
C840	1-107-826-91	CAP, CHIP CERAMIC 100000PF B
C841	1-107-826-91	CAP, CHIP CERAMIC 100000PF B
C842	1-107-826-91	CAP, CHIP CERAMIC 100000PF B
C843	1-162-970-91	CAP, CERAMIC 10000PF B (1608)
C844	1-125-837-91	CAP, CHIP CERAMIC 1MF B (1608)
C845	1-162-970-91	CAP, CERAMIC 10000PF B (1608)
C846	1-107-826-91	CAP, CHIP CERAMIC 100000PF B
C848	1-107-823-91	CAP, CERAMIC 470000PF B (2012)
C850	1-107-826-91	CAP, CHIP CERAMIC 100000PF B
C851	1-162-970-91	CAP, CERAMIC 10000PF B (1608)
C853	1-107-826-91	CAP, CHIP CERAMIC 100000PF B
C854	1-107-826-91	CAP, CHIP CERAMIC 100000PF B
C855	1-115-467-91	CAP, CHIP CERAMIC0.22MF B (1608)
C857	1-107-826-91	CAP, CHIP CERAMIC 100000PF B
C859	1-107-826-91	CAP, CHIP CERAMIC 100000PF B
C860	1-164-173-91	CAP, CERAMIC 3900PF B (1608)
C862	1-164-739-91	CAP, CERAMIC 560PF CH (1608)
C863	1-162-964-91	CAP, CHIP CERAMIC 1000PF B (1608)
C866	1-107-826-91	CAP, CHIP CERAMIC 100000PF B
C868	1-164-156-91	CAP, CHIP CERAMIC 0.1MF F (1608)
C869	1-164-156-91	CAP, CHIP CERAMIC 0.1MF F (1608)
C870	1-164-156-91	CAP, CHIP CERAMIC 0.1MF F (1608)
C871	1-164-677-91	CAP, CERAMIC 33000PF B (1608)
C872	1-115-467-91	CAP, CHIP CERAMIC0.22MF B (1608)
C873	1-164-392-91	CAP, CERAMIC 390PF CH (1608)
C874	1-164-677-91	CAP, CERAMIC 33000PF B (1608)
C875	1-107-826-91	CAP, CHIP CERAMIC 100000PF B
C876	1-125-838-91	CAP, CHIP CERAMIC2.2MF B (2012)
C877	1-164-173-91	CAP,CERAMIC 3900PF B (1608)
C879	1-164-739-91	CAP, CERAMIC 560PF CH (1608)
C880	1-107-826-91	CAP, CHIP CERAMIC 100000PF B

Ref.	Part No.	Description
C882	1-127-692-91	CAP, CHIP CERAMIC 10MF B (3225)
C883	1-163-038-91	CAP, CERAMIC 100000PF F (2012)
C888	1-107-826-91	CAP, CHIP CERAMIC 100000PF B
C889	1-107-826-91	CAP, CHIP CERAMIC 100000PF B
C890	1-104-851-91	CAP, CHIP TANTALUM ELECT 10MF
C891	1-107-826-91	CAP, CHIP CERAMIC 100000PF B
C895	1-162-964-91	CAP,CHIP CERAMIC 1000PF B (1608)
C897	1-164-677-91	CAP,CERAMIC 33000PF B (1608)
C898	1-164-156-91	CAP, CHIP CERAMIC 0.1MF F (1608)
C899	1-164-156-91	CAP, CHIP CERAMIC 0.1MF F (1608)
C901	1-107-826-91	CAP, CHIP CERAMIC 100000PF B
C902	1-107-826-91	CAP, CHIP CERAMIC 100000PF B
C903	1-107-826-91	CAP, CHIP CERAMIC 100000PF B
C904	1-107-826-91	CAP, CHIP CERAMIC 100000PF B
C905	1-107-826-91	CAP, CHIP CERAMIC 100000PF B
C906	1-107-826-91	CAP, CHIP CERAMIC 100000PF B
C907	1-107-826-91	CAP, CHIP CERAMIC 100000PF B
C908	1-107-826-91	CAP, CHIP CERAMIC 100000PF B
C909	1-107-826-91	CAP, CHIP CERAMIC 100000PF B
C910	1-107-826-91	CAP, CHIP CERAMIC 100000PF B
C911	1-107-826-91	CAP, CHIP CERAMIC 100000PF B
C912	1-107-826-91	CAP, CHIP CERAMIC 100000PF B
C913	1-107-826-91	CAP, CHIP CERAMIC 100000PF B
C914	1-107-826-91	CAP, CHIP CERAMIC 100000PF B
C915	1-107-826-91	CAP, CHIP CERAMIC 100000PF B
C916	1-107-826-91	CAP, CHIP CERAMIC 100000PF B
C917	1-107-826-91	CAP, CHIP CERAMIC 100000PF B
C918	1-107-826-91	CAP, CHIP CERAMIC 100000PF B
C919	1-107-826-91	CAP, CHIP CERAMIC 100000PF B
C920	1-107-826-91	CAP, CHIP CERAMIC 100000PF B
C921	1-107-826-91	CAP, CHIP CERAMIC 100000PF B
C922	1-107-826-91	CAP, CHIP CERAMIC 100000PF B
C923	1-107-826-91	CAP, CHIP CERAMIC 100000PF B
C924	1-107-826-91	CAP, CHIP CERAMIC 100000PF B
C925	1-107-826-91	CAP, CHIP CERAMIC 100000PF B
C926	1-107-826-91	CAP, CHIP CERAMIC 100000PF B
C927	1-107-826-91	CAP, CHIP CERAMIC 100000PF B
C928	1-107-826-91	CAP, CHIP CERAMIC 100000PF B
C929	1-107-826-91	CAP, CHIP CERAMIC 100000PF B
C930	1-107-826-91	CAP, CHIP CERAMIC 100000PF B
C931	1-107-826-91	CAP, CHIP CERAMIC 100000PF B</

Ref.	Part No.	Description
C956	1-107-826-91	CAP, CHIP CERAMIC 100000PF B
C957	1-107-826-91	CAP, CHIP CERAMIC 100000PF B
C958	1-107-826-91	CAP, CHIP CERAMIC 100000PF B
C959	1-107-826-91	CAP, CHIP CERAMIC 100000PF B
C960	1-107-826-91	CAP, CHIP CERAMIC 100000PF B
C961	1-107-826-91	CAP, CHIP CERAMIC 100000PF B
C962	1-107-826-91	CAP, CHIP CERAMIC 100000PF B
C963	1-107-826-91	CAP, CHIP CERAMIC 100000PF B
C965	1-107-826-91	CAP, CHIP CERAMIC 100000PF B
C966	1-107-826-91	CAP, CHIP CERAMIC 100000PF B
C967	1-125-837-91	CAP, CHIP CERAMIC 1MF B (1608)
C968	1-125-837-91	CAP, CHIP CERAMIC 1MF B (1608)
C980	1-107-826-91	CAP, CHIP CERAMIC 100000PF B
C981	1-107-826-91	CAP, CHIP CERAMIC 100000PF B
C982	1-107-826-91	CAP, CHIP CERAMIC 100000PF B
C983	1-107-826-91	CAP, CHIP CERAMIC 100000PF B
C984	1-107-826-91	CAP, CHIP CERAMIC 100000PF B
C985	1-107-826-91	CAP, CHIP CERAMIC 100000PF B
C986	1-107-826-91	CAP, CHIP CERAMIC 100000PF B
C987	1-107-826-91	CAP, CHIP CERAMIC 100000PF B
C988	1-107-826-91	CAP, CHIP CERAMIC 100000PF B
C989	1-107-826-91	CAP, CHIP CERAMIC 100000PF B
C990	1-107-826-91	CAP, CHIP CERAMIC 100000PF B (1608)
C991	1-113-619-91	CAP, CERAMIC 470000PF F (1608)
C992	1-113-619-91	CAP, CERAMIC 470000PF F (1608)
C993	1-128-004-21	CAP, ELECT (CHIP) 10MF
C994	1-125-777-81	CAP, CHIP CERAMIC 0.1MF B (1005)
C995	1-125-777-81	CAP, CHIP CERAMIC 0.1MF B (1005)
C996	1-125-777-81	CAP, CHIP CERAMIC 0.1MF B (1005)
C997	1-125-777-81	CAP, CHIP CERAMIC 0.1MF B (1005)
C998	1-125-777-81	CAP, CHIP CERAMIC 0.1MF B (1005)
<CONNECTOR>		
CN201	1-815-631-11	CONNECTOR, SQUARE TYPE 12P
CN201	1-816-253-11	CONNECTOR, SQUARE TYPE 12P
CN302	1-794-206-21	CONNECTOR, FFC/FPC (ZIF) 36P
CN303	1-694-822-11	TERMINAL BOARD (ILINK/USB)
CN303	1-694-891-11	TERMINAL BOARD (ILINK/USB)
CN401	1-815-630-11	PIN, CONNECTOR 4P
CN401	1-816-242-11	PIN, CONNECTOR 4P
CN403	1-784-650-21	CONNECTOR 2P
CN406	1-779-345-11	CONNECTOR, FFC/FPC 7P
CN501	1-476-736-11	TRANSMITTER UNIT, LIGHT
CN501	1-477-175-12	TRANSMITTER UNIT, LIGHT
CN504	1-815-632-11	CONNECTOR BOARD TO BOARD 110P
CN504	1-816-318-11	CONNECTOR BOARD TO BOARD 110P
CN801	1-794-237-21	CONNECTOR, FFC/FPC 30P
CN802	1-816-184-21	CONNECTOR, FFC/FPC 5P
CN803	1-770-687-11	CONNECTOR, FFC/FPC 4P
CN803	1-779-206-21	CONNECTOR, FFC (LIF(NON-ZIF)4P)
CN804	1-794-194-21	CONNECTOR, FFC/FPC 13P
CN804	1-816-226-21	CONNECTOR, FFC/FPC 13P
<NETWORK>		
CP201	1-234-724-21	NETWORK, RC (3216)
<DIODE>		
D201	8-719-065-78	DIODE MAZF12000LS0
D201	8-719-082-01	DIODE MM3Z12VT1
D202	6-500-009-01	DIODE RSE6.8XN-TR
D202	6-500-044-01	DIODE DF6A6.8FU(TE85R)
D202	6-500-045-01	DIODE MAZB068H0LS0
D202	6-500-053-01	DIODE DF6A6.8FU(TE85R)
D203	6-500-009-01	DIODE RSE6.8XN-TR
D203	6-500-044-01	DIODE DF6A6.8FU(TE85R)

Ref.	Part No.	Description
D203	6-500-045-01	DIODE MAZB068H0LS0
D203	6-500-053-01	DIODE DF6A6.8FU(TE85R)
D208	6-500-009-01	DIODE RSE6.8XN-TR
D208	6-500-044-01	DIODE DF6A6.8FU(TE85R)
D208	6-500-045-01	DIODE MAZB068H0LS0
D208	6-500-053-01	DIODE DF6A6.8FU(TE85R)
D301	8-719-027-76	DIODE 1SS357-TPH3
D301	8-719-058-24	DIODE RB501V-40TE-17
D301	8-719-071-87	DIODE MA785-(TX),SO
D302	8-719-027-76	DIODE 1SS357-TPH3
D302	8-719-058-24	DIODE RB501V-40TE-17
D302	8-719-071-87	DIODE MA785-(TX),SO
D402	8-719-074-34	DIODE RB495D-T146
D402	8-719-081-84	DIODE HRW0202BTL
D403	8-719-074-34	DIODE RB495D-T146
D403	8-719-081-84	DIODE HRW0202BTL
D404	8-719-033-15	DIODE HN2D02FU-TE85R
D405	8-719-066-98	DIODE RB051L-40TE25
D405	8-719-078-04	DIODE EC31Q503L-TE12L
D405	8-719-085-58	DIODE EC30HA03L-TE12L
D407	8-719-074-34	DIODE RB495D-T146
D407	8-719-081-84	DIODE HRW0202BTL
D408	8-719-074-34	DIODE RB495D-T146
D408	8-719-081-84	DIODE HRW0202BTL
D500	8-719-024-81	DIODE 1SS300-TE85L
D500	8-719-941-21	DIODE DAP202UT106
D501	8-719-082-76	DIODE CL-201TLY-C-TU
D801	8-719-065-68	DIODE MAZF04700LS0
D801	8-719-082-00	DIODE MM3Z4V7T1
D802	8-719-065-68	DIODE MAZF04700LS0
D802	8-719-082-00	DIODE MM3Z4V7T1
<FUSE>		
△ F001	1-576-434-21	FUSE, CHIP
△ F001	1-576-434-41	FUSE, CHIP
△ F001	1-576-438-21	FUSE, CHIP
<FERRITE BEAD>		
FB102	1-469-667-21	FERRITE, EMI (SMD)
FB103	1-469-667-21	FERRITE, EMI (SMD)
FB104	1-469-667-21	FERRITE, EMI (SMD)
FB105	1-469-667-21	FERRITE, EMI (SMD)
FB201	1-414-813-21	FERRITE, EMI (SMD)
FB202	1-500-113-22	BEAD, FERRITE (CHIP)
FB203	1-500-113-22	BEAD, FERRITE (CHIP)
FB204	1-500-113-22	BEAD, FERRITE (CHIP)
FB205	1-500-113-22	BEAD, FERRITE (CHIP)
FB206	1-500-113-22	BEAD, FERRITE (CHIP)
FB303	1-400-154-21	FERRITE, EMI
FB303	1-400-172-21	FERRITE, EMI
FB305	1-414-555-21	FERRITE, EMI (SMD)
FB308	1-400-154-21	FERRITE, EMI
FB308	1-400-172-21	FERRITE, EMI
FB310	1-414-555-21	FERRITE, EMI (SMD)
FB313	1-469-324-21	FERRITE, EMI (SMD)
FB314	1-469-324-21	FERRITE, EMI (SMD)
FB315	1-469-324-21	FERRITE, EMI (SMD)
FB316	1-469-324-21	FERRITE, EMI (SMD)
FB317	1-469-110-21	FERRITE, EMI (SMD)
FB318	1-469-110-21	FERRITE, EMI (SMD)
FB319	1-469-110-21	FERRITE, EMI (SMD)
FB320	1-469-110-21	FERRITE, EMI (SMD)
FB321	1-469-110-21	FERRITE, EMI (SMD)
FB322	1-469-110-21	FERRITE, EMI (SMD)
FB323	1-469-110-21	FERRITE, EMI (SMD)
FB324	1-469-110-21	FERRITE, EMI (SMD)

Ref.	Part No.	Description
FB408	1-469-667-21	FERRITE, EMI (SMD)
FB801	1-469-562-21	FERRITE, EMI (SMD)
FB802	1-469-562-21	FERRITE, EMI (SMD)
<FILTER>		
FL204	1-234-738-21	FILTER, EMI (ARRAY) (3216)
FL303	1-234-725-21	NETWORK, RC (USB) (4022)
<IC>		
IC101	8-759-831-20	IC CY2212ZC-2T
IC101	8-759-834-04	IC SN104971APWN
IC102	6-800-080-01	IC TC59RM716GB-8DYELZ
IC102	8-759-666-89	IC TC59RM716GB-8(YEL)
IC103	6-800-080-01	IC TC59RM716GB-8DYELZ
IC103	8-759-666-89	IC TC59RM716GB-8(YEL)
IC104	6-701-906-01	IC CXD9708GB
IC104	8-759-699-09	IC CXD9615GB
IC105	6-700-742-01	IC LM70CIMMX-3
IC106	6-700-967-01	IC CY24141ZC-3T
IC202	6-701-570-01	IC CXD2949GB-T7
IC205	6-701-557-01	IC SC44728CPBEB
IC206	8-752-093-56	IC CXA3525R-T4
IC206	8-752-099-53	IC CXA3525BR-T4
IC207	8-759-691-00	IC JCP78M05CDTRK
IC207	8-759-697-61	IC L78M05CDT-TR(P)
IC209	6-701-174-01	IC MM1573DNLE
IC209	6-701-602-01	IC LP2985IMX-3.3P
IC210	6-701-556-01	IC SC44750PBEB
IC303	6-702-361-01	IC CXD9697GB
IC305	6-700-119-01	IC T5NB8(YEL)
IC305	6-700-549-01	IC K4Q153212MJC60T
IC402	6-800-967-01	IC TMP87C807U-2C64
IC403	6-700-665-01	IC MM1550AFBE
IC404	6-700-664-01	IC SN105216DBTR
IC404	6-702-320-01	IC SN104818DBTR
IC407	6-701-051-01	IC SPF3001-R1
IC407	6-701-052-01	IC MM1582XHBE
IC407	6-701-053-01	IC SCY99009PWR2
IC409	6-700-946-01	IC MB3889PFT-G-BND-ER
IC413	6-700-233-01	IC MM1573ZNL
IC413	6-700-968-01	IC MM1573FNLE
IC413	8-759-598-12	IC LP2985IM5X-3.5
IC414	6-701-175-01	IC MC7808CDTT5
IC414	8-759-069-41	IC TA7808F(TE16L)
IC414	8-759-473-16	IC BA17808FP-E2
IC414	8-759-697-62	IC NJM7808DL1A(TE1)
IC415	8-759-581-11	IC NJM2125F(TE2)
IC416	6-701-551-01	IC BU9861FV-WE2
IC501	6-701-214-01	IC CXD9611BR
IC501	6-701-708-01	IC CXD9686BR
IC502	6-701-050-01	IC MSM10V976F-50TKR1
IC502	8-759-712-79	IC K4E151612D-TL50T00
IC502	8-759-712-80	IC MT4LC1M16E5TG-5TR
IC502	8-759-712-81	IC GM71V18163CT-5T
IC502	8-759-712-82	IC SDMV18165CTM6S
IC504	8-752-416-23	IC CXD2950R-TL
IC505	6-702-303-01	IC K3NSV106SB-TC1AT00
IC505	6-801-708-01	IC MR27V4812F-018TMZ
IC505	6-702-304-01	IC K3NSV107SB-TC1AT00
IC505	6-801-650-01	IC MR27V4812F-017TMZ
IC517	8-759-667-10	IC CS4335-KS
IC603	8-759-370-11	IC NJM2100V-TE2
IC605	8-752-416-13	IC CXD1886Q
IC607	8-752-930-05	IC CXP103049-302GG-TL
IC607	8-752-928-27	IC CXP103049-202GG-TL

Ref.	Part No.	Description
IC801	6-700-585-01	IC SP3727AFA0PMR
IC802	8-759-697-65	IC BA5815FM-E2
IC803	8-759-588-60	IC BA664FM-E2
IC805	8-759-712-38	IC HD74HC1G66CME
IC805	8-759-712-63	IC MC74VHC1G66DFT1
IC806	8-759-693-13	IC NJM12904V(TE2)
IC807	8-759-691-00	IC JCP78M05CDTRK
IC807	8-759-697-61	IC L78M05CDT-TR(P)
<INDUCTOR>		
L102	1-469-525-91	INDUCTOR 10UH (NLFV25)
L102	1-469-967-21	INDUCTOR, CHIP 10UH (2518)
L103	1-469-525-91	INDUCTOR 10UH (NLFV25)
L103	1-469-967-21	INDUCTOR, CHIP 10UH (2518)
L105	1-414-771-91	INDUCTOR 10.0UH
L106	1-414-771-91	INDUCTOR 10.0UH
L203	1-469-525-91	INDUCTOR 10UH (NLFV25)
L203	1-469-967-21	INDUCTOR, CHIP 10UH (2518)
L206	1-412-956-21	INDUCTOR, SMALL TYPE 27uH (2518)
L401	1-411-197-21	COIL, DD CONVERTER
L401	1-424-788-21	COIL, CHOKE (SMD) 10UH
L401	1-424-922-21	COIL, CHOKE (SMD) 10UH
L404	1-424-854-31	COIL (SMD), CHOKE 2.0UH
L404	1-424-912-21	COIL, CHOKE (SMD) 2.7UH
L404	1-424-914-21	COIL, CHOKE (SMD) 2.2UH
L404	1-424-920-21	COIL, CHOKE (SMD) 2.4UH
L408	1-419-898-21	COIL, CHOKE 5.6UH
L408	1-419-902-21	COIL, CHOKE (SMD) 5.6UH
L410	1-411-197-21	COIL, DD CONVERTER
L410	1-424-788-21	COIL, CHOKE (SMD) 10UH
L410	1-424-922-21	COIL, CHOKE (SMD) 10UH
L411	1-424-789-41	COIL, CHOKE (SMD) 10UH
L411	1-424-916-21	COIL, CHOKE (SMD) 10UH
L411	1-424-918-21	COIL, CHOKE (SMD) 10UH
L412	1-411-197-21	COIL, DD CONVERTER
L412	1-424-788-21	COIL, CHOKE (SMD) 10UH
L412	1-424-922-21	COIL, CHOKE (SMD) 10UH
L413	1-424-789-41	COIL, CHOKE (SMD) 10UH
L413	1-424-916-21	COIL, CHOKE (SMD) 10UH
L413	1-424-918-21	COIL, CHOKE (SMD) 10UH
L414	1-424-789-41	COIL, CHOKE (SMD) 10UH
L414	1-424-916-21	COIL, CHOKE (SMD) 10UH
L414	1-424-918-21	COIL, CHOKE (SMD) 10UH
L801	1-400-073-21	INDUCTOR, CHIP 4.7UH (2518)
L801	1-469-524-91	INDUCTOR 4.7UH (NLFV25) (2518)
L802	1-400-073-21	INDUCTOR, CHIP 4.7UH (2518)



Ref.	Part No.	Description
△ PS011	1-533-282-21	LINK, IC
△ PS012	1-533-940-21	LINK, CHIP IC
△ PS012	1-576-282-21	LINK, SQUARE CHIP TYPE IC
△ PS013	1-533-915-41	LINK, CHIP IC
△ PS013	1-576-259-21	LINK, IC
		<TRANSISTOR>
Q201	8-729-026-50	TRANSISTOR 2SA1037AK-T146-QR
Q204	6-550-073-01	TRANSISTOR HN1B01FDW1T1
Q204	8-729-049-77	TRANSISTOR HN1B01F-GR(T5LSONY)
Q205	8-729-013-22	TRANSISTOR HN1A01FU-TE85R
Q205	8-729-055-85	TRANSISTOR UMTIN-TN
Q205	8-729-427-71	TRANSISTOR XP4401-TXE
Q300	6-550-076-01	TRANSISTOR MUN5213T1
Q300	8-729-013-97	TRANSISTOR RN1304-TE85L
Q300	8-729-029-14	TRANSISTOR DTC144EUA-T106
Q301	6-550-027-01	TRANSISTOR FDS6375
Q301	6-550-028-01	TRANSISTOR IRF7233-TR
Q401	8-729-054-35	TRANSISTOR HAT2070R-EL
Q401	8-729-055-58	TRANSISTOR SI4894DY-T1
Q402	8-729-053-79	TRANSISTOR IRF7901D1-TR
Q402	8-729-053-80	TRANSISTOR SI4830DY-T1
Q402	8-729-054-68	TRANSISTOR FDS6986S
Q404	8-729-051-62	TRANSISTOR IRF7809A-TR
Q404	8-729-052-07	TRANSISTOR HAT2064R-EL
Q404	8-729-054-64	TRANSISTOR IRF7455-TR
Q405	8-729-014-43	TRANSISTOR RN1904-TE85R
Q405	8-729-052-36	TRANSISTOR UMH2NTN
Q405	8-729-427-47	TRANSISTOR XP4213-TXE
Q406	8-729-053-79	TRANSISTOR IRF7901D1-TR
Q406	8-729-053-80	TRANSISTOR SI4830DY-T1
Q406	8-729-054-68	TRANSISTOR FDS6986S
Q407	8-729-046-04	TRANSISTOR FDS6690A
Q407	8-729-054-66	TRANSISTOR HAT2071R-EL
Q408	8-729-051-61	TRANSISTOR IRF7807D1-TR
Q408	8-729-054-67	TRANSISTOR FDS6690S
Q409	6-550-076-01	TRANSISTOR MUN5213T1
Q409	8-729-013-97	TRANSISTOR RN1304-TE85L
Q409	8-729-029-14	TRANSISTOR DTC144EUA-T106
Q410	6-550-076-01	TRANSISTOR MUN5213T1
Q410	8-729-013-97	TRANSISTOR RN1304-TE85L
Q410	8-729-029-14	TRANSISTOR DTC144EUA-T106
Q411	6-550-028-01	TRANSISTOR IRF7233-TR
Q412	6-550-026-01	TRANSISTOR IRF7328-TR
Q412	6-550-036-01	TRANSISTOR FDS4935
Q412	6-550-068-01	TRANSISTOR SI4943DY-T1
Q415	8-729-209-77	TRANSISTOR 2SC2873Y-TE12L
Q505	8-729-021-09	TRANSISTOR RN4904(TE85R)
Q506	8-729-056-15	TRANSISTOR IMH20T108
Q600	8-729-016-26	TRANSISTOR 2SK1958-T1
Q600	8-729-048-50	TRANSISTOR 2SK3018-T106
Q603	8-729-017-33	TRANSISTOR RN1706-TE85R
Q801	6-550-008-01	TRANSISTOR UM6K1N-TN
Q801	6-550-014-01	TRANSISTOR SSM6N15FU(TE85R)
Q801	6-550-017-01	TRANSISTOR XP0487800LS0
Q802	8-729-014-02	TRANSISTOR RN1306-TE85L
Q802	8-729-029-13	TRANSISTOR DTC143ZUA-T106
Q804	8-729-055-22	TRANSISTOR 2SA1734(TE12L)
Q804	8-729-103-96	TRANSISTOR 2SB798-T1DL
Q805	8-729-055-22	TRANSISTOR 2SA1734(TE12L)
Q805	8-729-103-96	TRANSISTOR 2SB798-T1DL
Q806	8-729-016-26	TRANSISTOR 2SK1958-T1
Q806	8-729-048-50	TRANSISTOR 2SK3018-T106
Q808	6-550-008-01	TRANSISTOR UM6K1N-TN
Q808	6-550-014-01	TRANSISTOR SSM6N15FU(TE85R)
Q808	6-550-017-01	TRANSISTOR XP0487800LS0
Q814	8-729-014-02	TRANSISTOR RN1306-TE85L

Ref.	Part No.	Description
Q814	8-729-029-13	TRANSISTOR DTC143ZUA-T106
		<RESISTOR>
R101	1-211-983-91	RES, CHIP 39 (1608)
R102	1-208-866-81	RES, CHIP 130 (1005)
R103	1-211-983-91	RES, CHIP 39 (1608)
R104	1-208-866-81	RES, CHIP 130 (1005)
R106	1-216-809-91	RES, CHIP 100 (1608)
R107	1-216-809-91	RES, CHIP 100 (1608)
R109	1-218-961-81	RES, CHIP 4.7K (1608)
R110	1-211-983-91	RES, CHIP 39 (1608)
R111	1-211-983-91	RES, CHIP 39 (1608)
R112	1-211-989-91	RES, CHIP 68 (1608)
R113	1-211-989-91	RES, CHIP 68 (1608)
R114	1-211-983-91	RES, CHIP 39 (1608)
R115	1-211-983-91	RES, CHIP 39 (1608)
R116	1-211-983-91	RES, CHIP 39 (1608)
R117	1-211-983-91	RES, CHIP 39 (1608)
R118	1-211-973-91	RES, CHIP 15 (1608)
R119	1-211-973-91	RES, CHIP 15 (1608)
R120	1-211-973-91	RES, CHIP 15 (1608)
R121	1-211-973-91	RES, CHIP 15 (1608)
R131	1-216-833-91	RES, CHIP 10K (1608)
R132	1-216-833-91	RES, CHIP 10K (1608)
R133	1-216-833-91	RES, CHIP 10K (1608)
R134	1-218-965-81	RES, CHIP 10K (1608)
R139	1-216-801-91	RES, CHIP 22 (1608)
R145	1-218-953-81	RES, CHIP 1.0K (1608)
R146	1-216-821-91	RES, CHIP 1.0K (1608)
R147	1-216-821-91	RES, CHIP 1.0K (1608)
R158	1-216-803-91	RES, CHIP 33 (1608)
R159	1-216-803-91	RES, CHIP 33 (1608)
R164	1-216-864-91	CONDUCTOR, CHIP (1608)
R185	1-216-829-91	RES, CHIP 4.7K (1608)
R188	1-216-829-91	RES, CHIP 4.7K (1608)
R196	1-218-933-81	RES, CHIP 22 (1608)
R201	1-216-829-91	RES, CHIP 4.7K (1608)
R202	1-216-833-91	RES, CHIP 10K (1608)
R203	1-218-851-91	RES, CHIP 1.5K (1608)
R212	1-218-961-81	RES, CHIP 4.7K (1608)
R213	1-218-961-81	RES, CHIP 4.7K (1608)
R214	1-216-864-91	CONDUCTOR, CHIP (1608)
R217	1-216-864-91	CONDUCTOR, CHIP (1608)
R220	1-218-933-81	RES, CHIP 22 (1608)
R225	1-216-833-91	RES, CHIP 10K (1608)
R226	1-216-833-91	RES, CHIP 10K (1608)
R227	1-216-864-91	CONDUCTOR, CHIP (1608)
R236	1-216-809-91	RES, CHIP 100 (1608)
R244	1-218-825-91	RES, CHIP 120 (1608)
R245	1-218-825-91	RES, CHIP 120 (1608)
R246	1-218-825-91	RES, CHIP 120 (1608)
R250	1-216-803-91	RES, CHIP 33 (1608)
R251	1-216-837-91	RES, CHIP 22K (1608)
R252	1-216-839-91	RES, CHIP 33K (1608)
R253	1-216-833-91	RES, CHIP 10K (1608)
R257	1-216-824-91	RES, CHIP 1.8K (1608)
R258	1-208-923-81	RES, CHIP 33K (1005)
R259	1-216-824-91	RES, CHIP 1.8K (1608)
R261	1-216-829-91	RES, CHIP 4.7K (1608)
R263	1-216-825-91	RES, CHIP 2.2K (1608)
R264	1-216-821-91	RES, CHIP 1.0K (1608)
R265	1-216-821-91	RES, CHIP 1.0K (1608)
R270	1-218-853-91	RES, CHIP 1.8K (1608)
R272	1-218-859-91	RES, CHIP 3.3K (1608)
R273	1-218-851-91	RES, CHIP 1.5K (1608)
R277	1-218-853-91	RES, CHIP 1.8K (1608)

Ref.	Part No.	Description
R278	1-218-859-91	RES, CHIP 3.3K (1608)
R279	1-218-851-91	RES, CHIP 1.5K (1608)
R292	1-216-833-91	RES, CHIP 10K (1608)
R300	1-216-864-91	CONDUCTOR, CHIP (1608)
R301	1-216-845-91	RES, CHIP 100K (1608)
R307	1-208-857-81	RES, CHIP 56 (1005)
R308	1-208-904-81	RES, CHIP 5.1K (1005)
R309	1-211-987-91	RES, CHIP 56 (1608)
R310	1-211-987-91	RES, CHIP 56 (1608)
R311	1-216-829-91	RES, CHIP 4.7K (1608)
R312	1-208-857-81	RES, CHIP 56 (1005)
R315	1-218-866-91	RES, CHIP 6.2K (1608)
R316	1-216-797-91	RES, CHIP 10 (1608)
R320	1-219-570-91	RES, CHIP 10M (1608)
R321	1-216-813-91	RES, CHIP 220 (1608)
R322	1-216-857-91	RES, CHIP 1.0M (1608)
R324	1-216-833-91	RES, CHIP 10K (1608)
R327	1-216-821-91	RES, CHIP 1.0K (1608)
R328	1-216-841-91	RES, CHIP 47K (1608)
R329	1-216-797-91	RES, CHIP 10 (1608)
R331	1-216-797-91	RES, CHIP 10 (1608)
R347	1-211-986-91	RES, CHIP 51 (1608)
R349	1-216-821-91	RES, CHIP 1.0K (1608)
R350	1-216-805-91	RES, CHIP 47 (1608)
R352	1-216-797-91	RES, CHIP 10 (1608)
R365	1-216-805-91	RES, CHIP 47 (1608)
R366	1-218-937-81	RES, CHIP 47 (1608)
R367	1-216-805-91	RES, CHIP 47 (1608)
R368	1-216-805-91	RES, CHIP 47 (1608)
R390	1-216-857-91	RES, CHIP 1.0M (1608)
R391	1-216-833-91	RES, CHIP 10K (1608)
R392	1-216-801-91	RES, CHIP 22 (1608)
R393	1-216-801-91	RES, CHIP 22 (1608)
R394	1-216-801-91	RES, CHIP 22 (1608)
R395	1-218-957-81	RES, CHIP 2.2K (1608)
R396	1-216-801-91	RES, CHIP 22 (1608)
R397	1-216-801-91	RES, CHIP 22 (1608)
R399	1-216-801-91	RES, CHIP 22 (1608)
R403	1-216-833-91	RES, CHIP 10K (1608)
R404	1-216-845-91	RES, CHIP 100K (1608)
R405	1-216-845-91	RES, CHIP 100K (1608)
R406	1-216-811-91	RES, CHIP 150 (1608)
R407	1-216-811-91	RES, CHIP 150 (1608)
R408	1-216-839-91	RES, CHIP 33K (1608)
R409	1-218-855-91	RES, CHIP 2.2K (1608)
R410	1-218-882-91	RES, CHIP 30K (1608)
R411	1-218-883-91	RES, CHIP 33K (1608)
R412	1-218-883-91	RES, CHIP 33K (1608)
R413	1-218-882-91	RES, CHIP 30K (1608)
R414	1-218-855-91	RES, CHIP 2.2K (1608)
R415	1-216-839-91	RES, CHIP 33K (1608)
R416	1-216-839-91	RES, CHIP 33K (1608)
R417	1-216-813-91	RES, CHIP 220 (1608)
R418	1-216-817-91	RES, CHIP 470 (1608)
R419	1-216-833-91	RES, CHIP 10K (1608)
R421	1-216-790-91	RES, CHIP 2.7 (1608)
R422	1-216-797-91	RES, CHIP 10 (1608)
R423	1-216-790-91	RES, CHIP 2.7 (1608)
R424	1-216-797-91	RES, CHIP 10 (1608)
R426	1-218-879-91	RES, CHIP 22K (1608)
R427	1-218-871-91	RES, CHIP 10K (1608)
R428	1-216-309-91	RES, CHIP 5.6 (2012)
R429	1-216-833-91	RES, CHIP 10K (1608)
R433	1-216-821-91	RES, CHIP 1.0K (1608)
R440	1-218-831-91	RES, CHIP 220 (1608)
R441	1-218-871-91	RES, CHIP 10K (1608)

Ref.	Part No.	Description
R442	1-218-865-91	RES, CHIP 5.6K (1608)
R443	1-218-858-91	RES, CHIP 3.0K (1608)
R444	1-218-867-91	RES, CHIP 6.8K (1608)
R445	1-218-857-91	RES, CHIP 2.7K (1608)
R446	1-218-874-91	RES, CHIP 13K (1608)
R447	1-218-874-91	RES, CHIP 13K (1608)
R452	1-216-864-91	CONDUCTOR, CHIP (1608)
R453	1-216-864-91	CONDUCTOR, CHIP (1608)
R454	1-216-864-91	CONDUCTOR, CHIP (1608)
R457	1-218-859-91	RES, CHIP 3.3K (1608)
R458	1-216-864-91	CONDUCTOR, CHIP (1608)
R459	1-216-833-91	RES, CHIP 10K (1608)
R460	1-218-853-91	RES, CHIP 1.8K (1608)
R461	1-216-309-91	RES, CHIP 5.6 (2012)
R462	1-216-849-91	RES, CHIP 220K (1608)
R463	1-216-857-91	RES, CHIP 1.0M (1608)
R465	1-216-845-91	RES, CHIP 100K (1608)
R466	1-216-821-91	RES, CHIP 1.0K (1608)
R468	1-216-833-91	RES, CHIP 10K (1608)
R470	1-216-845-91	RES, CHIP 100K (1608)
R472	1-218-871-91	RES, CHIP 10K (1608)
R473	1-218-863-91	RES, CHIP 4.7K (1608)
R474	1-216-853-91	RES, CHIP 470K (1608)
R479	1-216-837-91	RES, CHIP 22K (1608)
R480	1-216-841-91	RES, CHIP 47K (1608)
R482	1-216-810-91	RES, CHIP 120 (1608)
R491	1-216-864-91	CONDUCTOR, CHIP (1608)
R492	1-216-864-91	CONDUCTOR, CHIP (1608)
R493	1-216-864-91	CONDUCTOR, CHIP (1608)
R494	1-216-864-91	CONDUCTOR, CHIP (1608)
R495	1-216-864-91	CONDUCTOR, CHIP (1608)
R503	1-216-803-91	RES, CHIP 33 (1608)
R504	1-216-803-91	RES, CHIP 33 (1608)
R505	1-216-803-91	RES, CHIP 33 (160

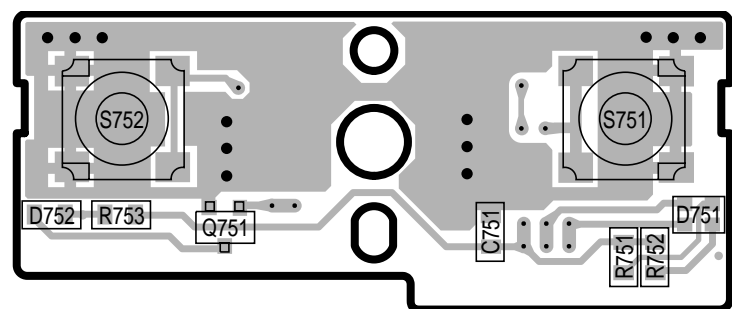
Ref.	Part No.	Description	
R649	1-216-833-91	RES, CHIP 10K	(1608)
R650	1-218-965-81	RES, CHIP 10K	(1608)
R651	1-216-835-91	RES, CHIP 15K	(1608)
R654	1-216-845-91	RES, CHIP 100K	(1608)
R657	1-216-839-91	RES, CHIP 33K	(1608)
R658	1-216-833-91	RES, CHIP 10K	(1608)
R660	1-216-833-91	RES, CHIP 10K	(1608)
R661	1-216-833-91	RES, CHIP 10K	(1608)
R667	1-216-861-91	RES, CHIP 2.2M	(1608)
R668	1-216-853-91	RES, CHIP 470K	(1608)
R669	1-216-845-91	RES, CHIP 100K	(1608)
R670	1-216-833-91	RES, CHIP 10K	(1608)
R671	1-216-827-91	RES, CHIP 3.3K	(1608)
R672	1-218-888-91	RES, CHIP 51K	(1608)
R673	1-216-827-91	RES, CHIP 3.3K	(1608)
R674	1-216-845-91	RES, CHIP 100K	(1608)
R675	1-216-839-91	RES, CHIP 33K	(1608)
R678	1-216-829-91	RES, CHIP 4.7K	(1608)
R679	1-216-864-91	CONDUCTOR, CHIP	(1608)
R689	1-216-845-91	RES, CHIP 100K	(1608)
R694	1-216-835-91	RES, CHIP 15K	(1608)
R696	1-216-846-91	RES, CHIP 120K	(1608)
R697	1-216-864-91	CONDUCTOR, CHIP	(1608)
R698	1-216-835-91	RES, CHIP 15K	(1608)
R699	1-216-833-91	RES, CHIP 10K	(1608)
R700	1-216-864-91	CONDUCTOR, CHIP	(1608)
R805	1-216-809-91	RES, CHIP 100	(1608)
R806	1-216-833-91	RES, CHIP 10K	(1608)
R807	1-216-809-91	RES, CHIP 100	(1608)
R808	1-216-833-91	RES, CHIP 10K	(1608)
R813	1-216-158-91	RES, CHIP 22	(3216)
R814	1-216-158-91	RES, CHIP 22	(3216)
R815	1-216-797-91	RES, CHIP 10	(1608)
R816	1-216-158-91	RES, CHIP 22	(3216)
R817	1-216-158-91	RES, CHIP 22	(3216)
R818	1-216-797-91	RES, CHIP 10	(1608)
R819	1-218-889-91	RES, CHIP 56K	(1608)
R820	1-218-881-91	RES, CHIP 27K	(1608)
R821	1-218-881-91	RES, CHIP 27K	(1608)
R822	1-218-881-91	RES, CHIP 27K	(1608)
R823	1-218-890-91	RES, CHIP 62K	(1608)
R826	1-218-871-91	RES, CHIP 10K	(1608)
R827	1-218-871-91	RES, CHIP 10K	(1608)
R828	1-218-881-91	RES, CHIP 27K	(1608)
R830	1-216-815-91	RES, CHIP 330	(1608)
R831	1-216-810-91	RES, CHIP 120	(1608)
R834	1-208-911-81	RES, CHIP 10K	(1005)
R837	1-208-922-81	RES, CHIP 30K	(1005)
R838	1-208-922-81	RES, CHIP 30K	(1005)
R840	1-208-916-81	RES, CHIP 16K	(1005)
R843	1-208-922-81	RES, CHIP 30K	(1005)
R846	1-208-922-81	RES, CHIP 30K	(1005)
R847	1-218-977-81	RES, CHIP 100K	
R850	1-208-911-81	RES, CHIP 10K	(1005)
R851	1-208-916-81	RES, CHIP 16K	(1005)
R852	1-218-873-91	RES, CHIP 12K	(1608)
R853	1-216-298-91	RES, CHIP 2.2	(2012)
R854	1-216-298-91	RES, CHIP 2.2	(2012)
R855	1-216-298-91	RES, CHIP 2.2	(2012)
R856	1-216-298-91	RES, CHIP 2.2	(2012)
R866	1-216-845-91	RES, CHIP 100K	(1608)
R868	1-216-849-91	RES, CHIP 220K	(1608)
R870	1-216-849-91	RES, CHIP 220K	(1608)
R871	1-218-896-91	RES, CHIP 110K	(1608)
R872	1-216-844-91	RES, CHIP 82K	(1608)
R873	1-216-839-91	RES, CHIP 33K	(1608)

Ref.	Part No.	Description	
R874	1-216-828-91	RES, CHIP 3.9K	(1608)
R875	1-216-023-91	RES, CHIP 82	(2012)
R876	1-216-023-91	RES, CHIP 82	(2012)
R877	1-216-023-91	RES, CHIP 82	(2012)
R878	1-216-023-91	RES, CHIP 82	(2012)
R879	1-216-023-91	RES, CHIP 82	(2012)
R880	1-216-023-91	RES, CHIP 82	(2012)
R881	1-216-023-91	RES, CHIP 82	(2012)
R882	1-216-023-91	RES, CHIP 82	(2012)
R901	1-218-937-81	RES, CHIP 47	
R902	1-218-937-81	RES, CHIP 47	
R974	1-216-801-91	RES, CHIP 22	(1608)
R975	1-216-801-91	RES, CHIP 22	(1608)
<RESISTOR BLOCK>			
RB101	1-234-496-21	ARRAY, RESISTOR 39	
RB102	1-234-496-21	ARRAY, RESISTOR 39	
RB103	1-234-496-21	ARRAY, RESISTOR 39	
RB104	1-234-496-21	ARRAY, RESISTOR 39	
RB105	1-234-496-21	ARRAY, RESISTOR 39	
RB106	1-234-496-21	ARRAY, RESISTOR 39	
RB107	1-234-710-21	RES, CHIP NETWORK 47X8	(3816)
RB109	1-233-423-21	RES, CHIP NETWORK 47	(3216)
RB110	1-234-710-21	RES, CHIP NETWORK 47X8	(3816)
RB112	1-233-423-21	RES, CHIP NETWORK 47	(3216)
RB113	1-234-710-21	RES, CHIP NETWORK 47X8	(3816)
RB114	1-234-710-21	RES, CHIP NETWORK 47X8	(3816)
RB117	1-234-710-21	RES, CHIP NETWORK 47X8	(3816)
RB118	1-234-710-21	RES, CHIP NETWORK 47X8	(3816)
RB121	1-233-423-21	RES, CHIP NETWORK 47	(3216)
RB122	1-233-423-21	RES, CHIP NETWORK 47	(3216)
RB123	1-234-710-21	RES, CHIP NETWORK 47X8	(3816)
RB124	1-234-710-21	RES, CHIP NETWORK 47X8	(3816)
RB139	1-233-414-21	RES, CHIP NETWORK 4.7K	(3216)
RB147	1-234-763-11	RES, CHIP NETWORK 75X8	(3816)
RB148	1-234-763-11	RES, CHIP NETWORK 75X8	(3816)
RB149	1-234-763-11	RES, CHIP NETWORK 75X8	(3816)
RB150	1-234-763-11	RES, CHIP NETWORK 75X8	(3816)
RB242	1-234-710-21	RES, CHIP NETWORK 47X8	(3816)
RB244	1-234-710-21	RES, CHIP NETWORK 47X8	(3816)
RB246	1-234-710-21	RES, CHIP NETWORK 47X8	(3816)
RB295	1-233-412-21	RES, CHIP NETWORK 1.0K	(3216)
RB296	1-234-598-21	RES, CHIP NETWORK 75X4	(3216)
RB297	1-234-599-21	RES, CHIP NETWORK 180X4	(3216)
RB298	1-234-598-21	RES, CHIP NETWORK 75X4	(3216)
RB303	1-233-412-21	RES, CHIP NETWORK 1.0K	(3216)
RB310	1-233-414-21	RES, CHIP NETWORK 4.7K	(3216)
RB311	1-233-679-91	RES, NETWORK 470	(1608)
RB312	1-233-786-91	RES, NETWORK 220	(1608)
RB314	1-233-681-91	RES, NETWORK 4.7K	(1608)
RB317	1-233-423-21	RES, CHIP NETWORK 47	(3216)
RB318	1-233-423-21	RES, CHIP NETWORK 47	(3216)
RB319	1-233-423-21	RES, CHIP NETWORK 47	(3216)
RB320	1-233-423-21	RES, CHIP NETWORK 47	(3216)
RB321	1-233-423-21	RES, CHIP NETWORK 47	(3216)
RB322	1-233-412-21	RES, CHIP NETWORK 1.0K	(3216)
RB323	1-233-412-21	RES, CHIP NETWORK 1.0K	(3216)
RB324	1-233-412-21	RES, CHIP NETWORK 1.0K	(3216)
RB325	1-233-412-21	RES, CHIP NETWORK 1.0K	(3216)
RB326	1-233-412-21	RES, CHIP NETWORK 1.0K	(3216)
RB327	1-233-415-21	RES, CHIP NETWORK 10K	(3216)
RB328	1-233-414-21	RES, CHIP NETWORK 4.7K	(3216)
RB332	1-233-575-21	RES, CHIP NETWORK 22	
RB401	1-233-415-21	RES, CHIP NETWORK 10K	(3216)
RB402	1-233-803-91	RES, NETWORK 1.5K	(1608)

Ref.	Part No.	Description	
RB403	1-233-415-21	RES, CHIP NETWORK 10K	(3216)
RB405	1-233-803-91	RES, NETWORK 1.5K	(1608)
RB406	1-233-792-91	RES, NETWORK 100K	(1608)
RB408	1-233-415-21	RES, CHIP NETWORK 10K	(3216)
RB409	1-233-415-21	RES, CHIP NETWORK 10K	(3216)
RB410	1-233-415-21	RES, CHIP NETWORK 10K	(3216)
RB411	1-233-412-21	RES, CHIP NETWORK 1.0K	(3216)
RB511	1-233-423-21	RES, CHIP NETWORK 47	(3216)
RB517	1-233-575-21	RES, CHIP NETWORK 22	
RB518	1-233-575-21	RES, CHIP NETWORK 22	
RB519	1-233-575-21	RES, CHIP NETWORK 22	
RB520	1-233-575-21	RES, CHIP NETWORK 22	
RB521	1-233-575-21	RES, CHIP NETWORK 22	
RB522	1-233-575-21	RES, CHIP NETWORK 22	
RB523	1-233-575-21	RES, CHIP NETWORK 22	
RB524	1-233-575-21	RES, CHIP NETWORK 22	
RB525	1-233-575-21	RES, CHIP NETWORK 22	
RB526	1-233-575-21	RES, CHIP NETWORK 22	
RB527	1-233-575-21	RES, CHIP NETWORK 22	
RB528	1-233-575-21	RES, CHIP NETWORK 22	
RB529	1-233-575-21	RES, CHIP NETWORK 22	
RB530	1-233-575-21	RES, CHIP NETWORK 22	
RB531	1-233-575-21	RES, CHIP NETWORK 22	
RB532	1-233-575-21	RES, CHIP NETWORK 22	
RB602	1-233-415-21	RES, CHIP NETWORK 10K	(3216)
RB603	1-233-415-21	RES, CHIP NETWORK 10K	(3216)
RB604	1-233-415-21	RES, CHIP NETWORK 10K	(3216)
RB605	1-233-415-21	RES, CHIP NETWORK 10K	(3216)
RB606	1-233-412-21	RES, CHIP NETWORK 1.0K	(3216)
RB609	1-233-423-21	RES, CHIP NETWORK 47	(3216)
RB803	1-233-415-21	RES, CHIP NETWORK 10K	(3216)
<THERMISTOR>			
△ TH001	1-533-817-21	THERMISTOR	
△ TH001	1-804-384-21	THERMISTOR, POSITIVE	
△ TH001	1-804-384-31	THERMISTOR, POSITIVE	
△ TH002	1-533-817-21	THERMISTOR	
△ TH002	1-804-384-21	THERMISTOR, POSITIVE	
△ TH002	1-804-384-31	THERMISTOR, POSITIVE	
△ TH003	1-533-817-21	THERMISTOR	
△ TH003	1-804-384-21	THERMISTOR, POSITIVE	
△ TH003	1-804-384-31	THERMISTOR, POSITIVE	
<CRYSTAL>			
X102	1-781-640-21	VIBRATOR, CRYSTAL	
X102	1-781-640-41	VIBRATOR, CRYSTAL	
X301	1-781-856-21	VIBRATOR, CRYSTAL	
X301	1-781-856-41	VIBRATOR, CRYSTAL	
X302	1-781-768-21	VIBRATOR, CRYSTAL	
X302	1-781-768-41	VIBRATOR, CRYSTAL	
X401	1-760-496-22	VIBRATOR, LITHIUM NIOBATE	
X402	1-767-300-21	VIBRATOR, CRYSTAL	
X402	1-760-928-41	VIBRATOR, CRYSTAL	
X402	1-781-266-41	VIBRATOR, CRYSTAL	
X402	1-782-266-61	VIBRATOR, CRYSTAL	

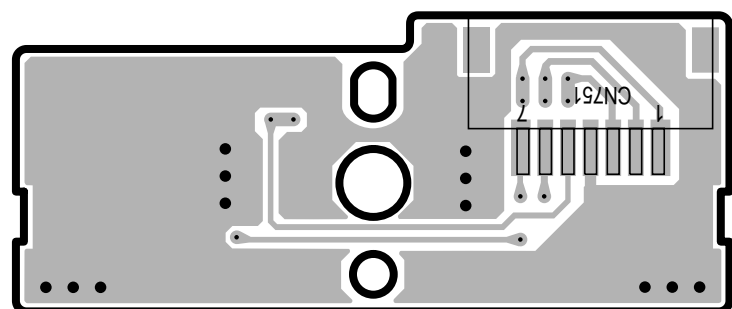
Ref.	Part No.	Description
------	----------	-------------

### SWITCH MOUNT



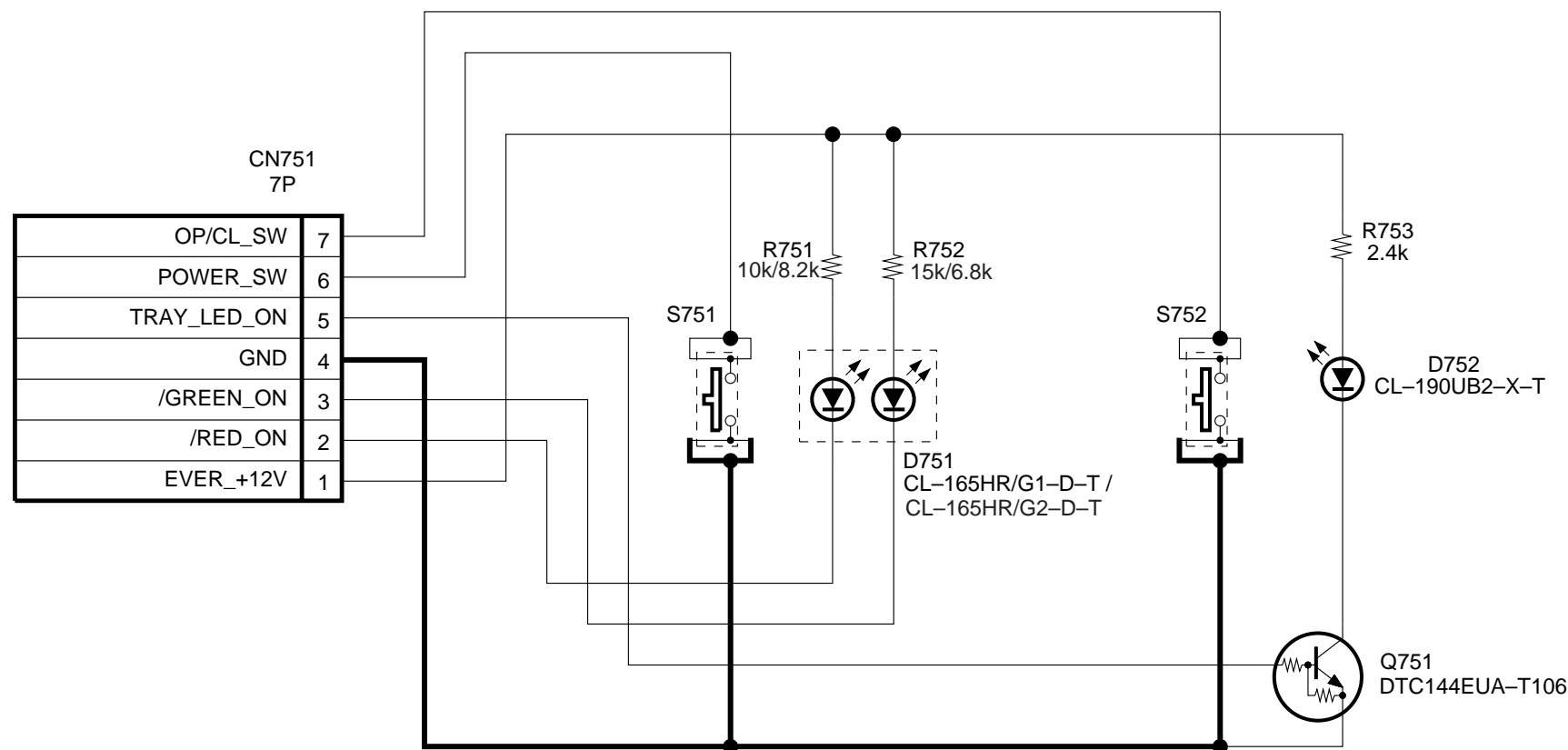
**SW-367/SW-367(VA)**

A side



**SW-367/SW-367(VA)**

B side



**SW-367/SW-367(VA)**

-----  
A-6714-500-A and A-6787-466-A SWITCH MOUNTED CIRCUIT BOARD  
-----

Ref-No.	Part No.	Description	Remark	Place code
PWB	1-683-435-31	PWB, SW-367		#25SW
PWB	1-683-435-41	PWB, SW-367		#25SW
CN751	1-785-470-21	CONNECTOR, FPC(LIF(NON-ZIF)7P		#25SW
CN751	1-794-627-11	CONNECTOR, FPC(LIF(NON-ZIF)7P		#25SW
D751	8-719-078-90	DIODE CL-165HR/G1-D-T	for SW367	#25SW
D751	6-500-232-01	DIODE CL-165HR/G2-D-T	for SW367(VA)	#25SW
D752	6-500-240-01	DIODE CL-190UB2-X-T		#25SW
Q751	8-729-013-97	TRANSISTOR RN1304-TE85L		#25SW
Q751	8-729-029-14	TRANSISTOR DTC144EUA-T106		#25SW
Q751	8-729-402-44	TRANSISTOR UN5213-TX		#25SW
R751	1-216-833-91	RES, CHIP 10K (1608)	for SW367	#25SW
R751	1-216-832-91	RES, CHIP 8.2K (1608)	for SW367(VA)	#25SW
R752	1-216-835-91	RES, CHIP 15K (1608)	for SW367	#25SW
R752	1-216-831-91	RES, CHIP 6.8K (1608)	for SW367(VA)	#25SW
R753	1-216-993-91	RES, CHIP 2.4K (1608)		#25SW
S751	1-771-917-21	SWITCH, TACTILE		#25SW
S752	1-771-917-21	SWITCH, TACTILE		#25SW