



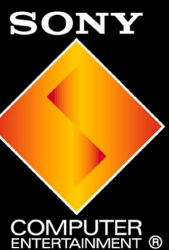
SCPH-30000  
SCPH-30001  
SCPH-30002  
SCPH-30003  
SCPH-30004

# SCPH-30000 series

## SERVICE MANUAL

6th Edition

PlayStation®2



Sony Computer Entertainment Inc.  
Customer Service Department  
Published in Japan c 5. 2000 9-927-084-06

**NOTICE**

Copyright by Sony Computer Entertainment Inc. All rights reserved. No reproduced and transferred required except permission by Sony Computer Entertainment Inc. No commercial use and rental required.

**REVISIONS.**

This manual compiled by first edition of SCPH-30000, 30001, 30002, 30003, 30004 B, B', C, C', D type design data. Design and Specification will be subject to changed without notice. The latest versions of service manual, Technical memo, Technical information should be used together.

**SAFETY-RELATED COMPONENT WARNING !!**

COMPONENTS IDENTIFIED BY MARK  $\triangle$  OR DOTTED LINE WITH MARK  $\triangle$  ON THE SCHEMATIC DIAGRAMS AND IN THE PARTS LIST ARE CRITICAL TO SAFE PERATION. REPLACE THESE COMPONENTS WITH SONY PARTS WHOSE PART NUMBERS APPEAR AS SHOWN IN THIS MANUAL OR IN SUPPLEMENTS PUBLISHED BY SONY.

**ATTENTION AU COMPOSANT AYANT RAPPORT À LA SÉCURITÉ !**

LES COMPOSANTS IDENTIFIÉS PAR UNE MARQUE  $\triangle$  SUR LES DIAGRAMMES SCHÉMATIQUES ET LA LISTE DES PIÈCES SONT CRITIQUES POUR LA SÉCURITÉ DE FONCTIONNEMENT. NE REMPLACER CES COMPOSANTS QUE PAR DES PIÈCES SONY DONT LES NUMÉROS SONT DONNÉS DANS CE MANUEL OU DANS LES SUPPLÉMENTS UBLIÉS PAR SONY.

**CAUTION**

Replace the battery with a Sony CR2032 battery. Use of any other type of battery may present the risk of fire or explosion. The battery may explode if mistreated. Do not recharge, disassemble, or dispose of in fire.

**CAUTION**

The use of optical instruments with this product will increase eye Hazard. As the laser beam used in this CD/DVD player is harmful To eyes, do not attempt to disassemble the cabinet. Refer servicing to qualified personnel only.

**WARNING !!**

WHEN SERVICING, DO NOT APPROACH THE LASER EXIT WITH THE EYE TOO CLOSELY. IN CASE IT IS NECESSARY TO CONFIRM LASER BEAM EMISSION, BE SURE TO OBSERVE FROM A DISTANCE OF MORE THAN 25cm FROM THE SURFACE OF THE OBJECTIVE LENS ON THE OPTICAL PICK-UP BLOCK.

**CAUTION**

Use of controls or adjustments or performance of procedures other than those specified herein may result in hazardous radiation exposure.

**CAUTION for electric shock**

When power is ON, Don't touch to Power supply block, AC-inlet, Power switch and so on, not to get an electric shock at repair.

**CAUTION for burning**

When current is supplied, Some of part surface temperature like EE, GS, Regulator-IC, power supply, Optical device and so on. These part surface is become high temperature condition. When it repair, Don't touch them at a time during it surface is high temperature condition to take prevent against burning. Do repair after it is cooled down enough.

**CAUTION**

Danger of explosion if battery is incorrectly replaced. Replace only with the same or equivalent type recommended by the manufacturer. Discard used batteries according to the manufacturer's instructions.

**ADVARSEL!**

Lithiumbatteri - Eksplosjonsfare ved feilagtig håndtering. Udskiftning må kun ske med batteri af samme fabrikat og type. Levér det brugte batteri tilbage til leverandøren.

**ADVARSEL**

Eksplosjonsfare ved feilaktig skifte av batteri. Benytt samme batteritype eller en tilsvarende type anbefalt av apparatfabrikanten. Brukte batterier kasseres i henhold til fabrikantens instruksjoner.

**VARNING**

Explosionsfara vid felaktigt batteribyte. Använt samma batterityp eller en ekvivalent typ som rekommenderas av apparatillverkaren. Kassera använt batteri enligt fabrikantens instruktion.

**VAROITUS**

Paristo voi räjähtää, jos se on virheellisesti asennettu. Vaihda paristo ainoastaan valmistajan suosittelemaan tyyppiin. Hävitä käytetty paristo valmistajan ohjeiden mukaisesti.

**SAFETY CHECK-OUT**

After correcting the original service problem, perform the following safety checks before releasing the set to the customer:

1. Check the area of your repair for unsoldered or cold-soldered connections. Check the entire board surface for solder splashes and bridges.
2. Check the inter board wiring to ensure that no wires are "pinched" or contact high-wattage resistors.
3. Look for unauthorized replacement parts, particularly transistors, that were installed during a previous repair. Point them out to the customer and recommend their replacement.
4. Look for parts which, though functioning, show obvious signs of deterioration. Point them out of the customer and recommend their replacement.
5. Check the line cord for cracks and abrasion. Recommend the replacement of any such line cord to the customer.
6. Check the b+ voltage to see it is at the values specified.
7. Check the antenna terminals, metal trim, "metalized" knobs, screws, and all other exposed metal parts for ac leakage. Check leakage as described below.

**LEAKAGE**

The AC leakage from any exposed metal part to earth ground and from all exposed metal parts to any exposed metal part having a Return to chassis, must not exceed 0.5 mA (500 micro-amperes). Leakage current can be measured by any one of three methods.

1. A commercial leakage tester, such as the SIMPSON 229 or RCA WT-540A. Follow the manufacturers' instructions to use these instruments.
2. A battery-operated AC milli-ammeter. The Data Precision 245 digital multi-meter is suitable for this job
3. Measuring the voltage drop across a resistor by means of a VOM or battery-operated ac voltmeter. The "limit" indication is 0.75V, so analog meters must have an accurate low-voltage scale. The SIMPSON 250 and SANWA SH-63TRD are examples of a passive VOM that is suitable. Nearly all battery operated digital multi-meters that have a 2V AC range are suitable.

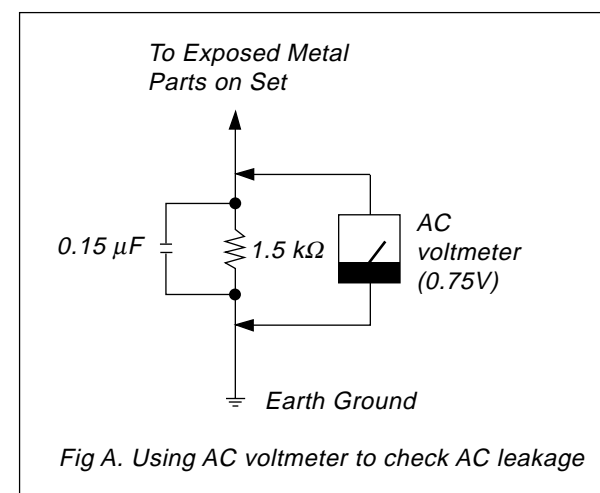


Fig A. Using AC voltmeter to check AC leakage

**NOTIFICATION for environmental assessment**

This model is CR2032 lithium battery onboard inside on the GD MOUNT as Timer backup power. CR2032 life may be about 5 to 8 years so you have very few need for changing to new one. But if you have necessary to replaced to new one or disassemble for scrapping, you have to keep your country low, regulation, standard, etc. of environmental assessment and safty.

## TABLE OF CONTENTS

SCPH-30001 (B, B') .....	4-38
SCPH-30001 (C) .....	39-70
SCPH-30002/30003/30004 (C, C') .....	71-115
SCPH-30001D .....	116-138
<b>SCPH-30002/30003/30004 (D, D')</b>	
1. Table of Contents and Specifications .....	139
2. Exploded Views	
Overall and Main Block .....	140
MD Block .....	141
GH-010/GH-012 Block .....	142
GB-003/GB-004 and Plate Assy Block .....	142
Shield (A) Assy Block .....	142
Shield (B) Block .....	142
Fan and Rear Panel Block .....	142
Switch Block .....	142
3. Block Diagram for D type .....	143
4. Printed Wiring Boards and Schematic Diagrams for SCPH-30002D/30003D/30004D	
This Note is Common for Printed Wiring boards and Schematic diagrams .....	144
GH-010 .....	145
GB-003 .....	154
SW-358 .....	155
5. Electrical Parts List for SCPH-30002D/30003D/30004D .....	156
6. Printed Wiring Boards and Schematic Diagrams for SCPH-30003D'/30004D'	
This Note is Common for Printed Wiring boards and Schematic diagrams .....	162
GH-012 .....	163
GB-004 .....	172
SW-363 .....	173
7. Electrical Parts List for SCPH-30003D'/30004D' .....	174
SCPH-30000 .....	180-202

## SECTION 1 SPECIFICATIONS

### **General**

Power requirements  
220-240 V AC, 50/60 Hz  
Power consumption  
50 W  
Dimensions  
301 × 78 × 182 mm (w/h/d)  
Mass  
2.4 kg

### **Inputs/ Outputs on the front**

Controller ports (2)  
Memory card slots (2)  
USB ports (2)  
S400 (i-Link) port (1)

### **Inputs/Outputs on the rear**

HDD bay slot (1)

### **Outputs on the rear**

AV Multi out port (1)  
RGB, Ycbcr, Y/C, Composite-video,  
Audio-L/R, XGA  
Digital out port (1)  
Optical audio

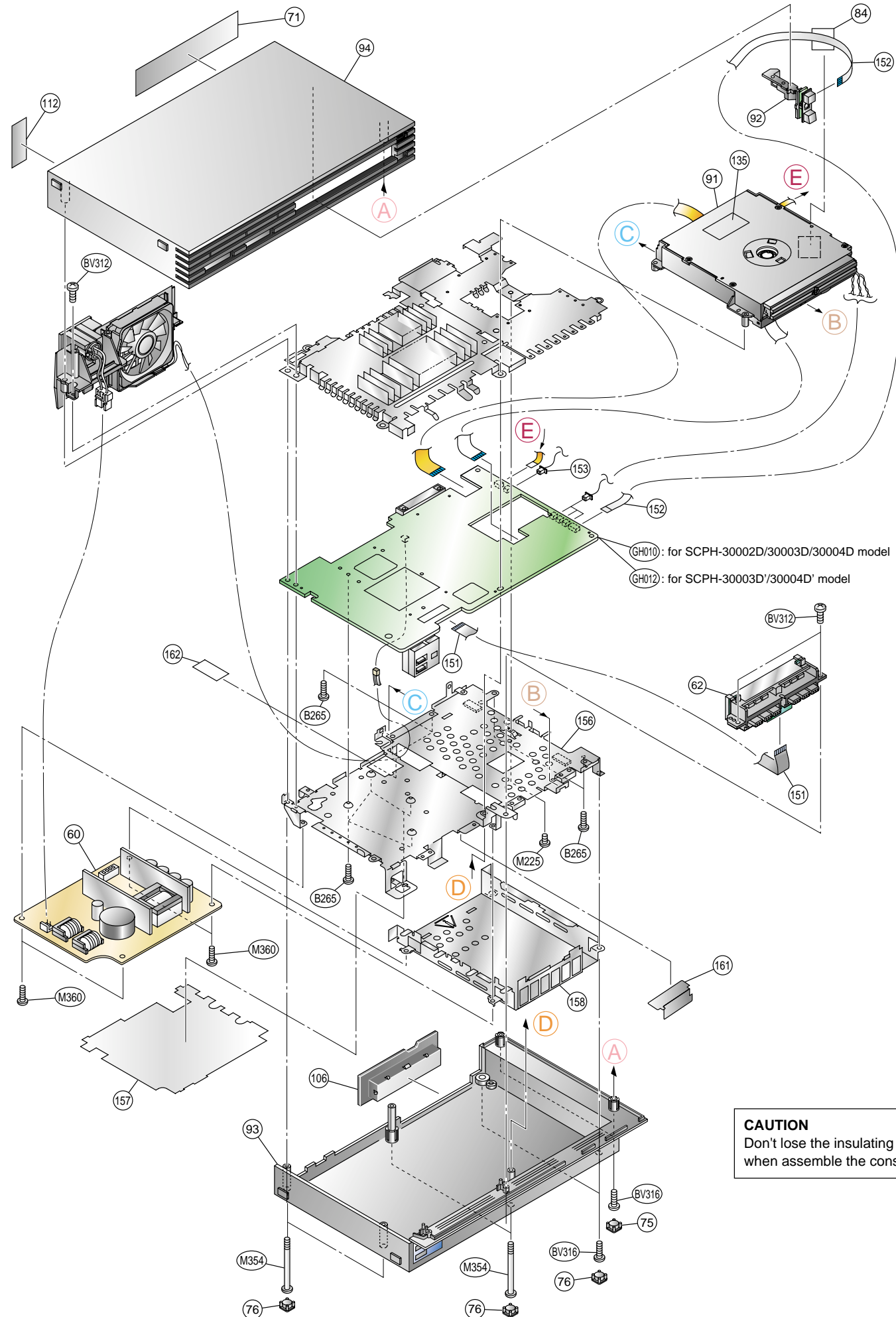
### **Supplied accessories**

AC power cord (1)  
Euro-AV connector (1)  
(for SCPH-30003, 30004)  
A/V connecting cable (1)  
Dualshock2 Analog controller (1)



## SECTION 2 EXPLODED VIEWS

### Overall and Main Block



### CAUTION

The components identified by mark  $\Delta$  or dotted line with mark  $\Delta$  are critical for safety. Replace only with part number specified.

**CAUTION :**  
Use of controls or adjustments or performance of procedures other than those specified herein may result in hazardous radiation exposure.

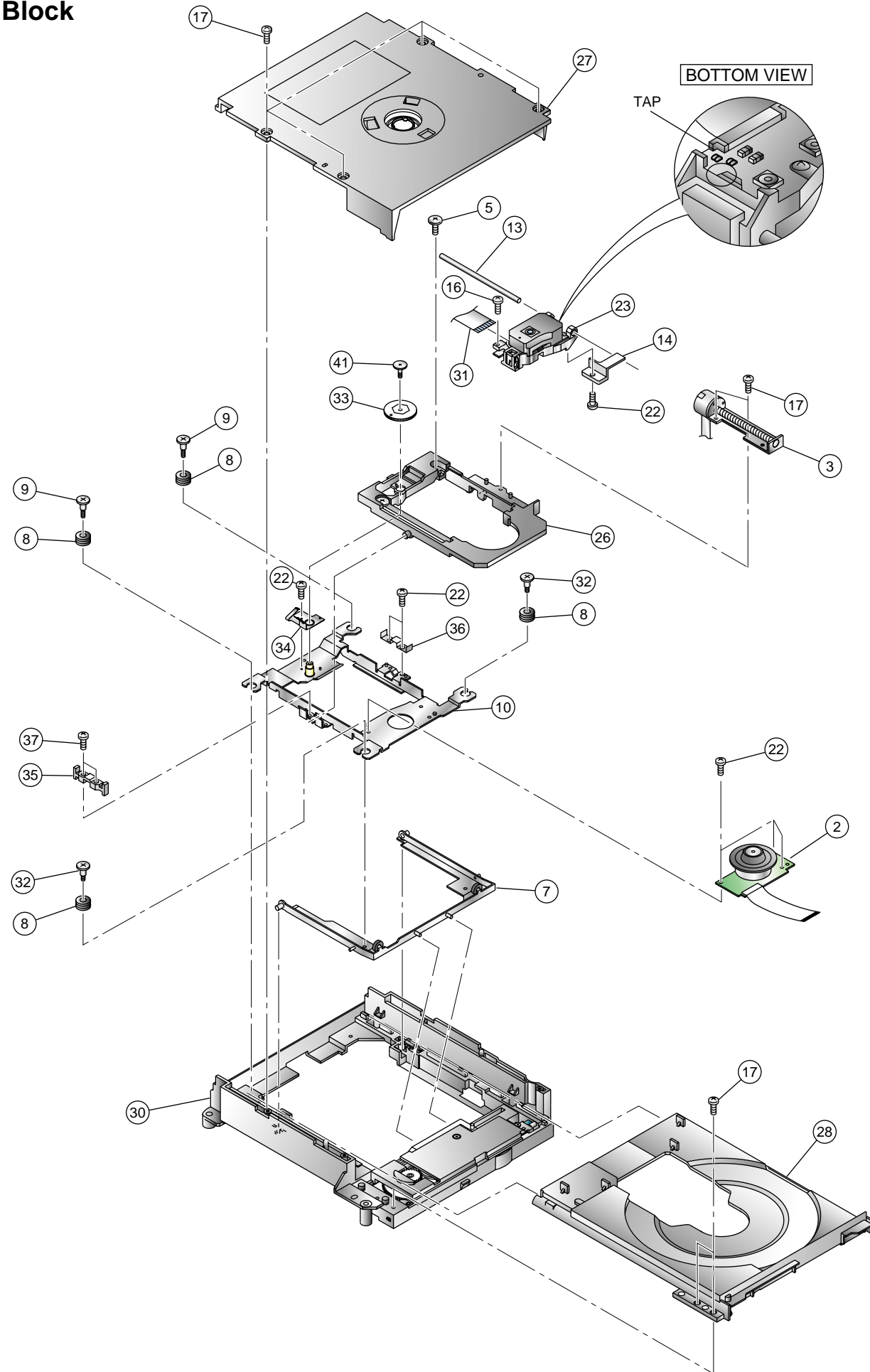
### OVERALL AND MAIN BLOCK

Ref-No.	Part No.	Description	Remark	Place code
$\Delta$ 60	1-468-605-21	POWER BLOCK		#00
62	1-694-676-21	TERMINAL BOARD (FRONT)		#17
$\Delta$ 71	3-069-119-01	LABEL, MODEL NUMBER (AU)	for SCPH-30002D	#87
$\Delta$ 71	3-069-120-01	LABEL, MODEL NUMBER (CEK)	for SCPH-30003D/30003D'	#87
$\Delta$ 71	3-069-121-01	LABEL, MODEL NUMBER (CEL)	for SCPH-30004D/30004D'	#87
75	3-059-626-03	COVER, SCREW		#22
76	3-059-627-01	CAP		#22
84	3-067-170-01	TAPE (20X20), HARNESS STOPPER		#87
91	A-6705-342-A	MD BLOCK ASSY		#10
92	A-6705-401-A	SWITCH BLOCK ASSY		#87
93	X-3951-722-1	COVER ASSY, LOWER		#87
94	X-3951-721-1	COVER ASSY, UPPER		#87
106	X-3951-317-1	LID ASSY		#87
$\Delta$ 112	3-066-498-01	TAPE, VOID		#87
$\Delta$ 135	3-988-711-02	LABEL, LASER COUTION		#87
151	1-757-934-11	CABLE, FLAT (FFC-011)		#12
152	1-757-935-11	CABLE, FLAT (FFC-012)		#12
153	1-961-160-21	HARNESS (HS-059)		#12
156	3-068-669-02	SHIELD B		#16
157	3-068-674-01	SHEET, INSULATING		#16
158	3-068-675-02	SHIELD HDD		#87
161	3-070-120-01	SHEET, INTERCEPTION		#87
162	3-069-212-01	TAPE, HARNESS STOPPER		#16
B265	3-069-170-01	TAPPING (B2X6.5)		#87
BV312	3-325-679-21	SCREW, TAPPING +BV 3X12		#87
BV316	3-325-679-91	SCREW (2 LOCK), +BV TAPPING		#87
GH010	A-6712-954-A	GH-010 MOUNT (32M M) Block	for SCPH-30003D/30004D	#25GB
GH010	A-6712-957-A	GH-010 MOUNT (64M M) Block	for SCPH-30002D	#25GB
GH010	A-6712-955-A	GH-010 MOUNT (64M M) Block	for SCPH-30003D/30004D	#25GB
GH010	A-6712-958-A	GH-010 MOUNT (64M R) Block	for SCPH-30002D	#25GB
GH010	A-6712-956-A	GH-010 MOUNT (64M R) Block	for SCPH-30003D/30004D	#25GB
GH012	A-6712-985-A	GH-012 MOUNT (32M R) Block	for SCPH-30003D'/30004D'	#25GH
GH012	A-6712-986-A	GH-012 MOUNT (64M R) Block	for SCPH-30003D'/30004D'	#25GH
M225	3-069-169-01	SCREW (M2X2.5)		#87
M354	3-059-622-02	SCREW (M3X54), HEAD TAPPING		#87
M360	3-069-168-01	TITE (CZN), M3X6 +BV S		#87

**CAUTION**  
Don't lose the insulating sheet when assemble the console.

for details  
Click here.

MD Block

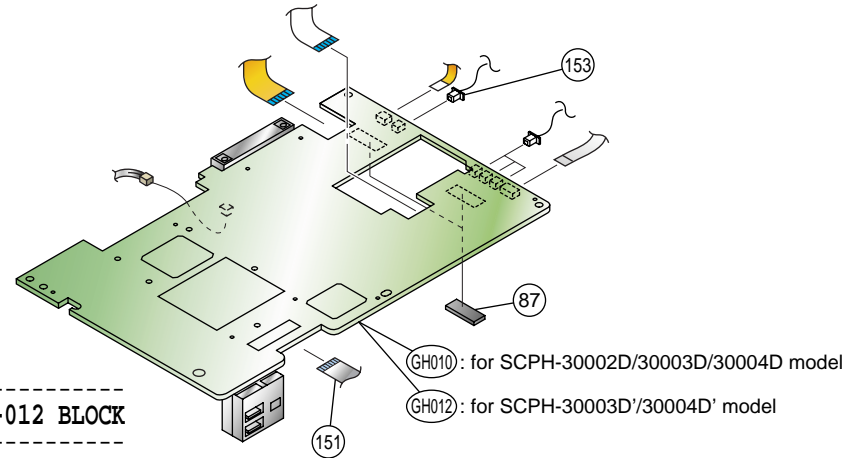


MD BLOCK

Ref-No.	Part No.	Description	Remark	Place code
2	8-835-733-01	MOTOR, DC SSC28C/C-NP		#10SP
2	1-763-700-12	MOTOR, DC (SPINDLE)		#10SP
3	1-763-639-21	MOTOR, DC		#10
5	3-059-845-01	SCREW (B2X6.5), SHAFT RETAINER		#10
7	X-3951-637-1	FRAME ASSY, SUB		#10
8	3-065-277-01	INSULATOR		#10
9	3-065-276-01	SCREW, STEP		#10
10	X-3951-606-1	CHASSIS ASSY, MAIN		#10
13	3-059-854-02	SHAFT, MAIN		#10
14	3-059-855-02	RACK		#10
16	3-060-399-01	SCREW, SKEW		#10
17	3-060-400-01	TAPPING (B2X6.5)		#10
22	3-062-728-01	0 PLATE 3, MAIN M3X3.2		#10
△ 23	8-820-141-10	DEVICE, OPICAL KHS-400B		#10OP
26	X-3951-607-2	CHASSIS ASSY, SUB		#10
27	X-3951-609-2	BRACKET ASSY, PULLEY		#10
28	X-3951-608-2	TRAY ASSY		#10TR
30	X-3951-610-2	FRAME ASSY, MAIN		#10
31	1-680-370-12	PWB, FLEXIBLE		#10
32	3-068-075-02	SCREW (SUB), STEP		#10
33	3-065-278-02	CAM, TILT		#10
34	3-068-076-01	SPRING (TILT), LEAF		#10
35	3-065-282-01	GUIDE (L)		#10
36	3-065-283-01	GUIDE (R)		#10
37	3-065-557-01	SCREW (M2X6.0)		#10
41	3-065-279-02	SCREW, CAM RETAINER		#10

for details  
Click here

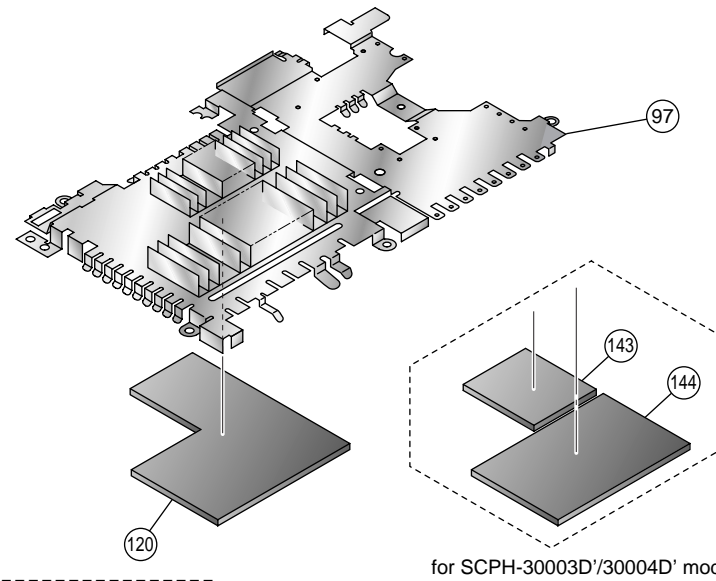
**GH-010/GH-012 Block**



**GH-010/GH-012 BLOCK**

Ref-No.	Part No.	Description	Place code
87	3-068-806-01	SHEET (DRIVER), ELECTRIC HEAT	#25GH
151	1-757-934-11	CABLE, FLAT (FFC-011)	#12
153	1-961-160-21	HARNESS (HS-059)	#12
GH010	A-6712-954-A	GH-010 MOUNT (32M M) for SCPH-30003D/30004D	#25GH
GH010	A-6712-957-A	GH-010 MOUNT (64M M) for SCPH-30002D	#25GH
GH010	A-6712-955-A	GH-010 MOUNT (64M M) for SCPH-30003D/30004D	#25GH
GH010	A-6712-958-A	GH-010 MOUNT (64M R) for SCPH-30002D	#25GH
GH010	A-6712-956-A	GH-010 MOUNT (64M R) for SCPH-30003D/30004D	#25GH
GH012	A-6712-985-A	GH-012 MOUNT (32M R) for SCPH-30003D'/30004D'	#25GH
GH012	A-6712-986-A	GH-012 MOUNT (64M R) for SCPH-30003D'/30004D'	#25GH

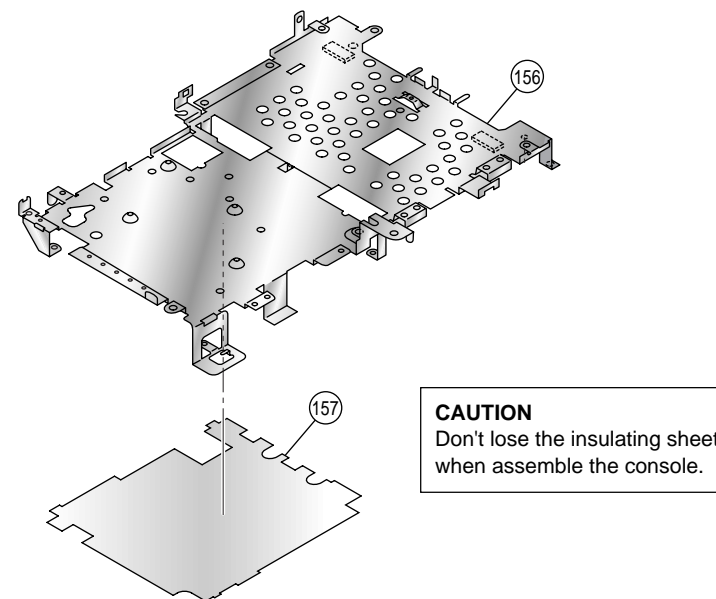
**Shield (A) Assy Block**



**SHIELD (A) ASSY BLOCK**

Ref-No.	Part No.	Description	Place code
97	X-3951-707-2	SHIELD (A) ASSY	#87
120	3-059-652-01	SHEET (A), ELECTRIC HEAT for SCPH-30002D/30003D/30004D	#16
143	3-066-277-01	SHEET (P), ELECTRIC HEAT for SCPH-30003D'/30004D'	#16
144	3-066-278-01	SHEET (Q), ELECTRIC HEAT for SCPH-30003D'/30004D'	#16

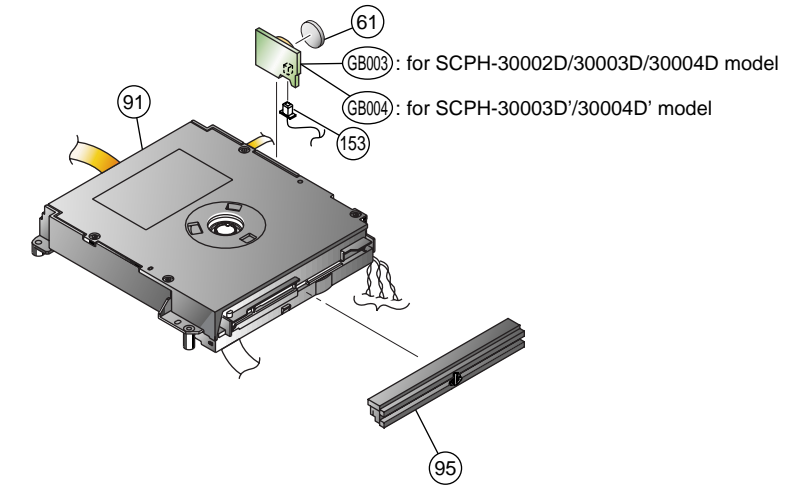
**Shield (B) Block**



**SHIELD (B) BLOCK**

Ref-No.	Part No.	Description	Place code
156	3-068-669-02	SHIELD B	#16
157	3-068-674-01	SHEET, INSULATING	#16

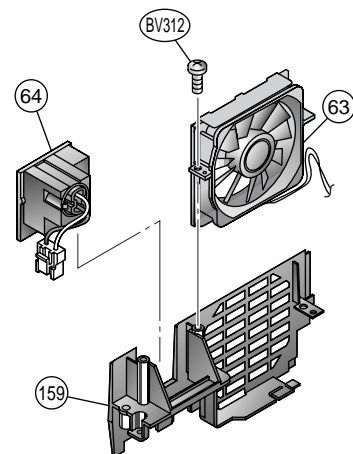
**GB-003/GB-004 and Plate Assy Block**



**GB-003/GB-004 AND PLATE ASSY BLOCK**

Ref-No.	Part No.	Description	Place code
61	1-528-174-41	BATTERY, LITHIUM (CR2032 TYPE)	#25GB
91	A-6705-342-A	MD BLOCK ASSY	#10
95	X-3951-099-1	PLATE ASSY, ORNAMENTAL	#87
153	1-961-160-21	HARNESS (HS-059)	#12
GB003	A-6712-923-A	GB-003 MOUNT for SCPH-30002D/30003D/30004D	#25GB
GB004	A-6712-984-A	GB-004 MOUNT for SCPH-30003D'/30004D'	#25GB

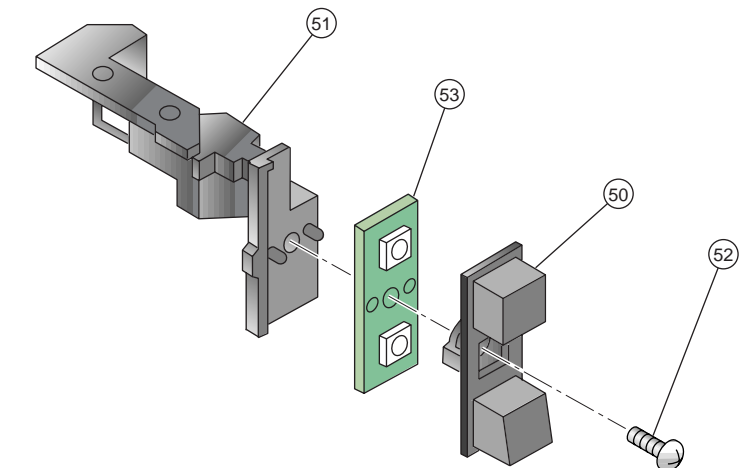
**Fan and Rear Panel Block**



**FAN AND REAR PANEL BLOCK**

Ref-No.	Part No.	Description	Place code
63	1-763-480-22	DC. FAN	#74
64	1-771-995-31	SWITCH, POWER (WITH AC INLET)	#00
159	3-068-676-11	PANEL, REAR	#87
BV312	3-325-679-21	SCREW, TAPPING +BV 3X12	#87

**Switch Block**

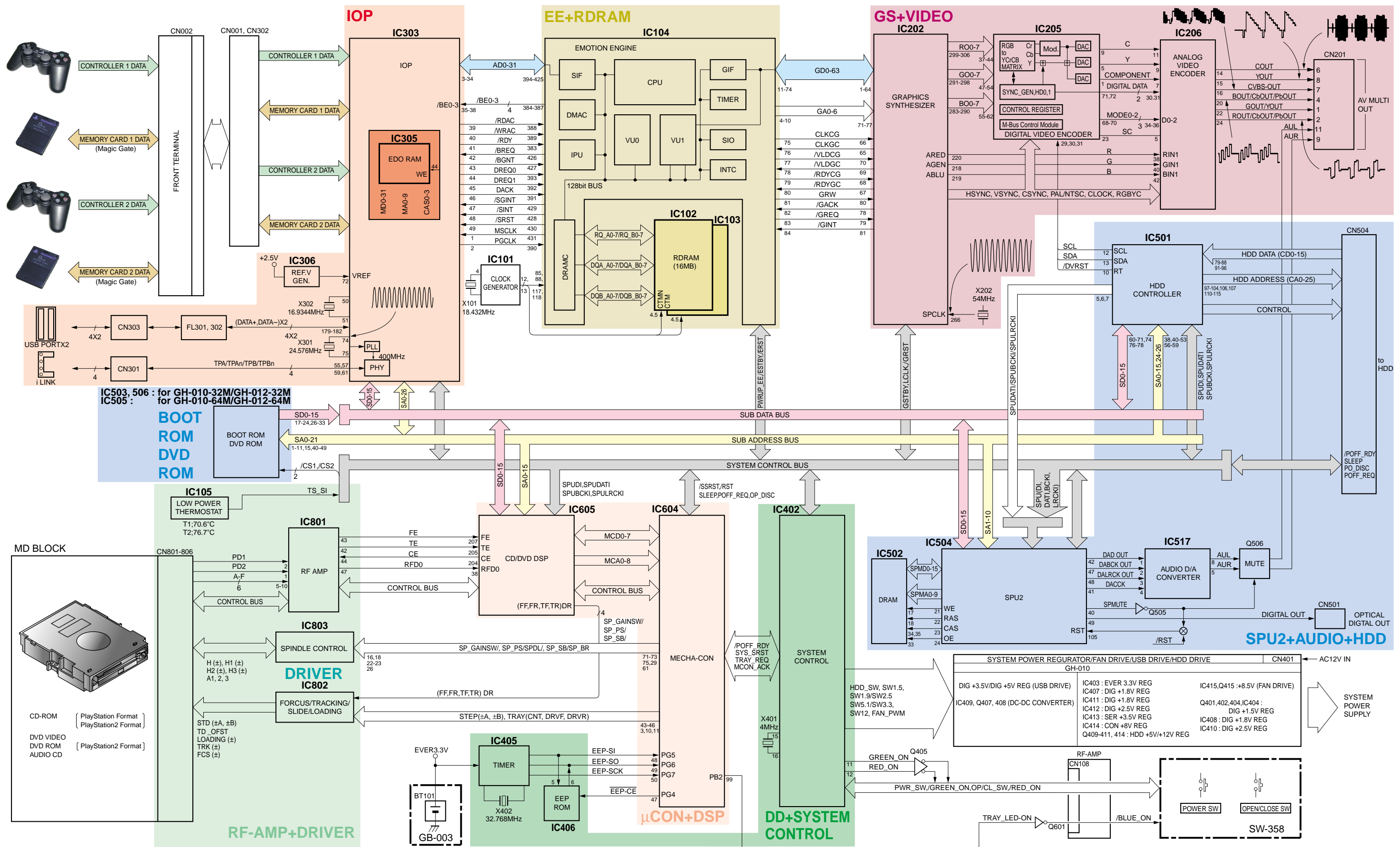


**SWITCH BLOCK**

Ref-No.	Part No.	Description	Place code
50	3-059-665-03	BUTTON, SWITCH	#25SW
51	3-059-666-05	BRACKET, SWITCH	#25SW
52	7-685-105-11	TPG +P 2X8, TYPE 2, NON-SLIT	#25SW
53	A-6712-922-A	SW-358 MOUNT for SCPH-30002D/30003D/30004D	#25SW
53	A-6712-983-A	SW-363 MOUNT for SCPH-30003D'/30004D'	#25SW



# SECTION 3 BLOCK DIAGRAM for D type




## SECTION 4

### PRINTED WIRING BOARDS AND SCHEMATIC DIAGRAMS for SCPH-30002D/30003D/30004D

#### THIS NOTE IS COMMON FOR PRINTED WIRING BOARDS AND SCHEMATIC DIAGRAMS.

##### Note on Printed Wiring Boards :

- Through hole is omitted.
-  : Pattern on the side which is seen.

##### Note on Schematic Diagram :

- Use caution when replacing chip parts.  
New parts must be attached after removal of chip.  
Be careful not to heat the minus side of tantalum capacitor, because it is damaged by the heat.
- All capacitors are in  $\mu\text{F}$  unless otherwise noted.  $\text{pF}$  :  $\mu\mu\text{F}$  50 WV or less are not indicated except for electrolytics and tantalums.
- All resistors are in  $\Omega$  and 1/4 W (Chip resistors : 1/10W) unless otherwise specified.
- Chip resistors are 1/8 W or 1/10 W unless otherwise noted.  
 $\text{k}\Omega$  :  $1000\Omega$ ,  $\text{M}\Omega$  :  $1000 \text{ k}\Omega$ .

##### Note :





The components identified by mark  $\triangle$  or dotted line with mark  $\triangle$  are critical for safety. Replace only with part number specified.

##### Note :

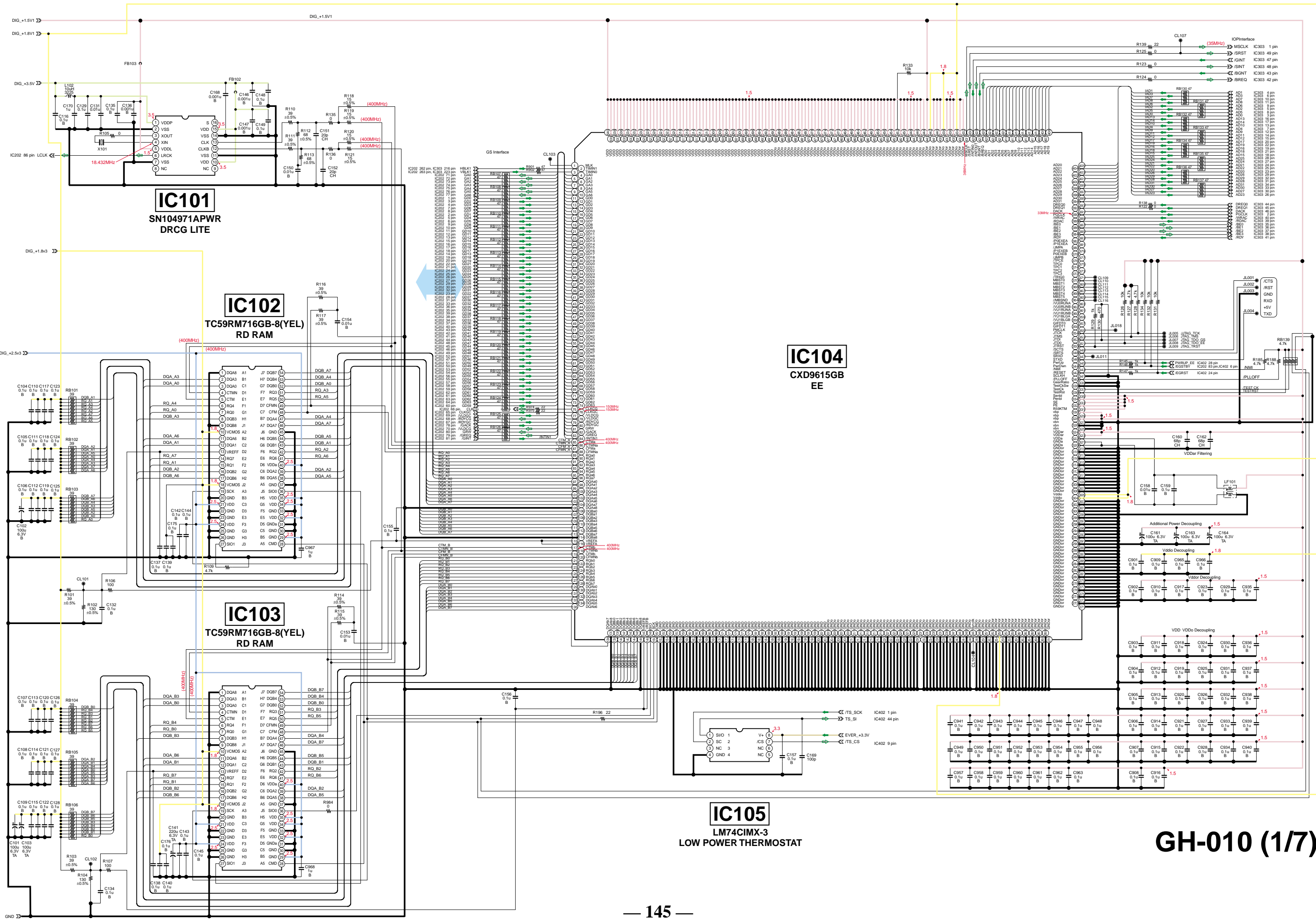
Les composants identifiés par une marque  $\triangle$  sont critiques pour la sécurité. Ne les remplacer que par une pièce portant le numéro spécifié.

##### Note on DC Power line :

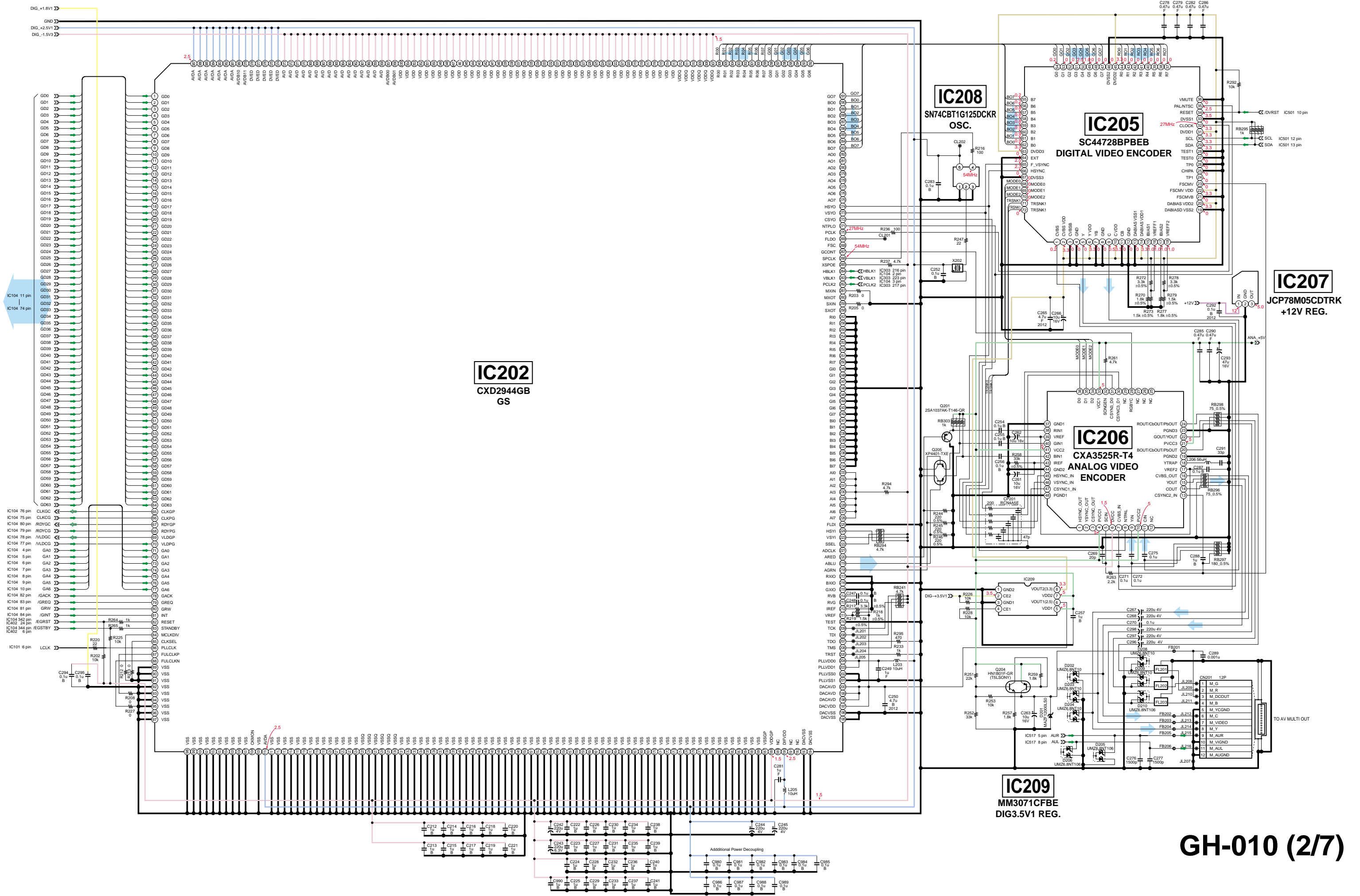
Unit of voltage is V (volt)

- |   |  |
|---|--|
| • +12V :   | • +3.3V :             |
| • +8.0V :  | • +2.5V :             |
| • +5.0V :  | • +1.8V :             |
| • +3.5V :  | • +1.7V :             |
| • +3.4V :  | • +1.5V :             |
| • IN :     | • Main Signal Line :  |
| • OUT :    |  |

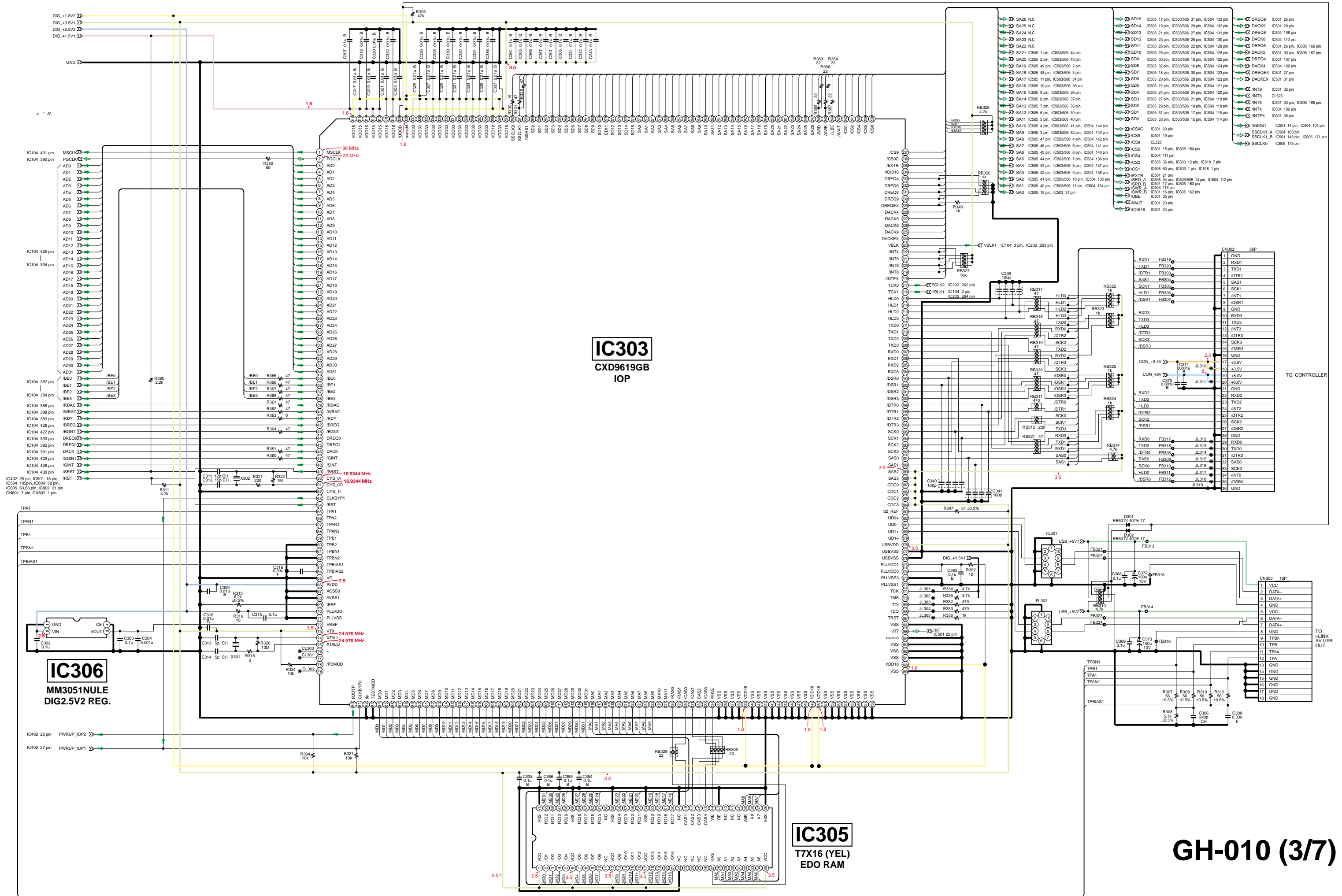




GH-010 (1/7)



GH-010 (2/7)



**IC303**  
CXD9619GB  
IOP

**IC306**  
MM3051NULE  
DIG2.5V2 REG.

**IC305**  
T7X16 (YEL)  
EDO RAM

**GH-010 (3/7)**



BD3992F-E2 : for GH010-64MR  
MM1537DFBE : for GH010-32MM & GH010-64MM

**IC403**

**IC405**  
RS5C348A-E2

**IC406**  
BR9080F-E2

**IC401**  
S-80769SN-J0-T1

**IC415**  
NJM2125F(Te2)

3.5V

**IC409**  
SN104809DBTR

**IC414**  
TA7808F(Te16L)

**IC402**  
TMP87C807U-1V33

**IC413**  
LP2985IM5X-3.5

1.5V

**IC407**  
PQ018PZ01ZP

5V

1.8V

1.8V

2.5V

**IC410**  
SI-3026LSA-TL

**IC411**  
MM3031JULE

**IC412**  
ST-3025LSA-TL

1.5V

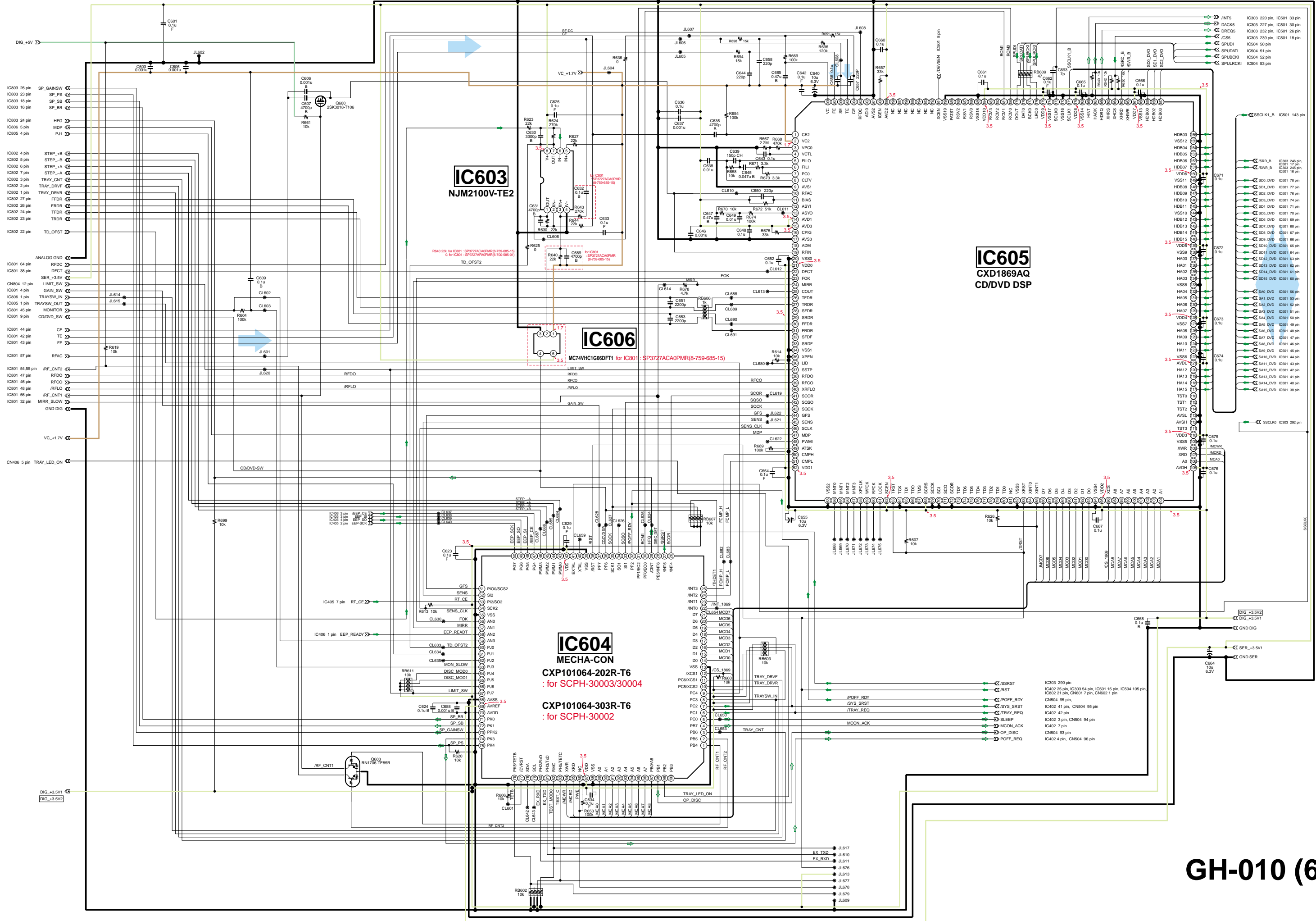
**IC408**  
PQ070XZ01ZP

1.8V

2.5V

- EVER+3.3V
- HDD\_+5V
- HDD\_+12V
- EPP\_CE IC604 47 pin
- EPP\_SI IC604 48 pin
- EPP\_SO IC604 49 pin
- EPP\_SCK IC604 50 pin
- RT\_CE IC604 53 pin
- EPP\_READY IC604 58 pin
- +12V
- CON\_+5V
- DIG\_+3.5V1
- CON\_+3.4V
- DIG\_+5V
- SER\_+3.5V
- GND
- USB\_+5V1
- DIG\_+2.5V1
- DIG\_+2.5V2
- DIG\_+1.8V2
- DIG\_+2.5V3
- DIG\_+1.8V3
- DIG\_+1.8V1
- TRAY\_LED\_ON IC604 99 pin
- POFF\_REQ IC604 96 pin, IC604 74 pin
- REGSTBY IC104 344 pin
- POFF\_RDY IC604 95 pin, IC604 32 pin
- IPWRUP\_EE IC104 345 pin
- SVS\_SRST IC604 7 pin
- IPWRUP\_IOP2 IC303 80 pin
- TRAY\_REQ IC604 99 pin, IC604 6 pin
- IPWRUP\_IOP1 IC303 81 pin
- HDD\_SET IC604 4 pin
- SLEEP IC604 94 pin, IC604 5 pin
- HDD\_ACK IC604 92 pin
- EGRST IC104 342 pin
- PMW\_CTRL IC604 97 pin
- TS\_CS IC105 7 pin
- TS\_SI IC105 5 pin
- IC303 54 pin, IC501 15 pin, IC504 105 pin, IC604 98 pin, IC605 63.83 pin, IC602 21 pin, IC601 7 pin, CN602 1 pin
- TS\_SCK IC105 2 pin
- TRESETN IC605 73 pin
- GND





GH-010 (6/7)

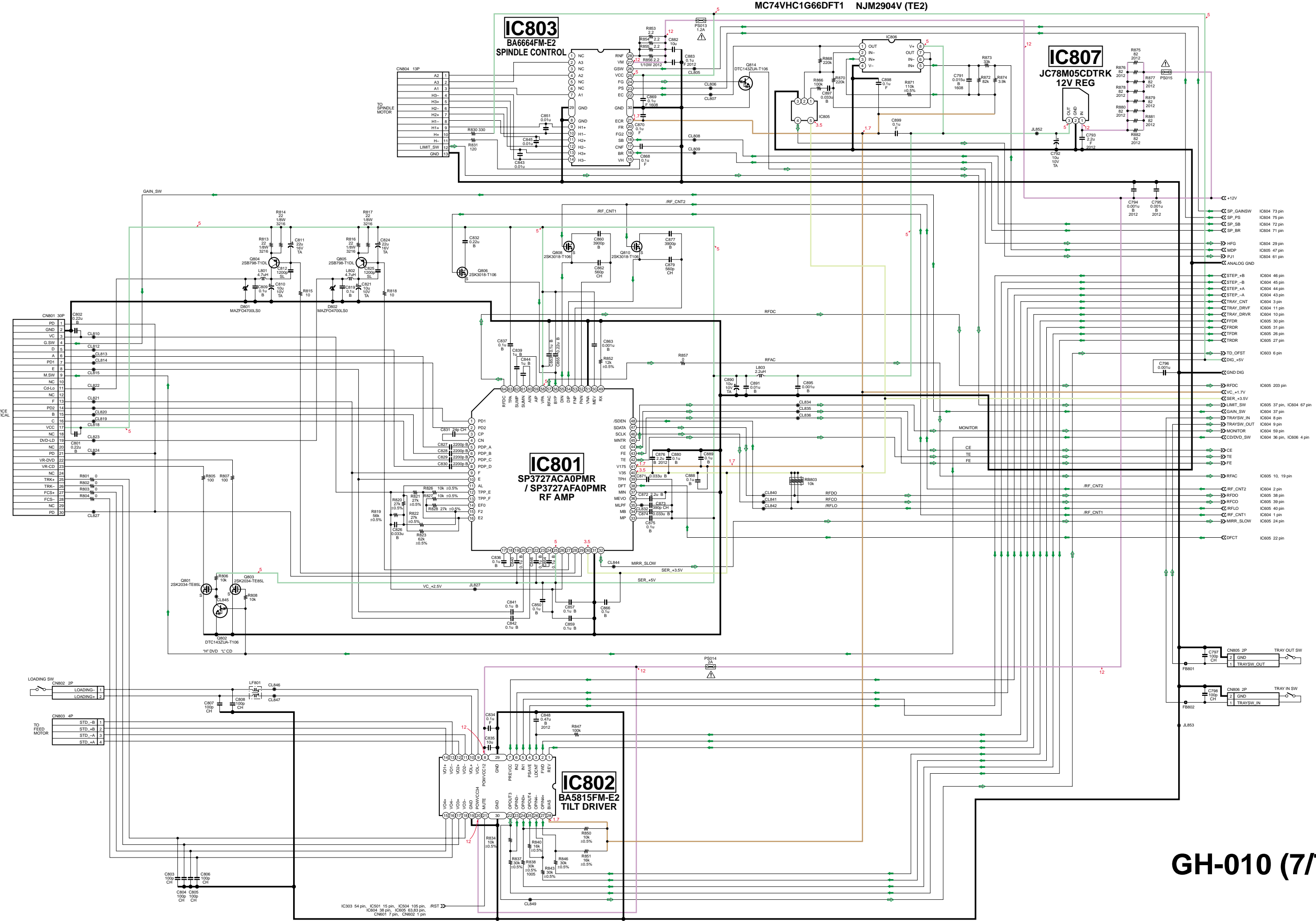


IC803 BA6664FM-E2 SPINDLE CONTROL

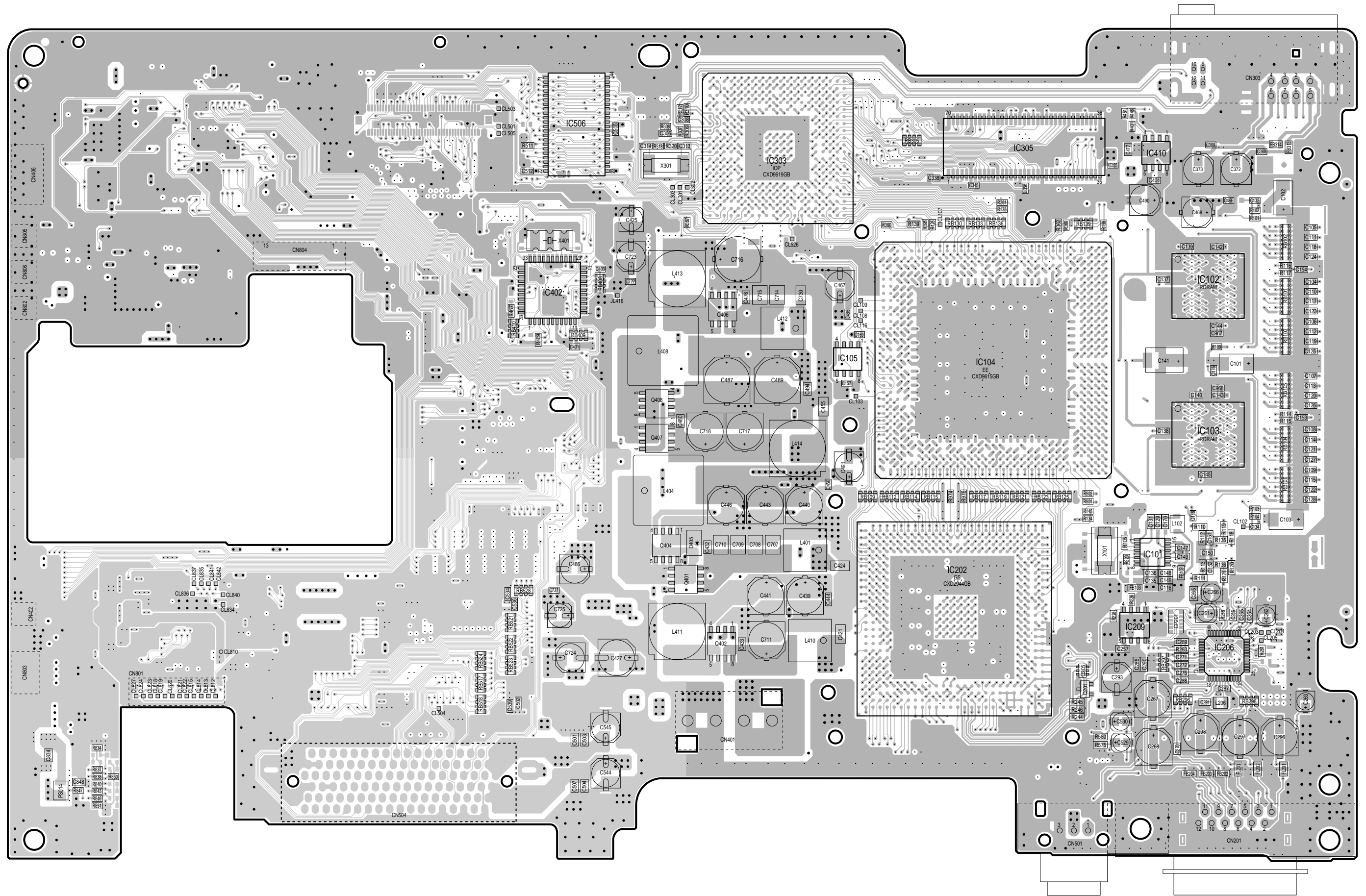
IC807 JC78M05CDTRK 12V REG

IC801 SP3727ACA0PMR / SP3727AFA0PMR RF AMP

IC802 BA5815FM-E2 TILT DRIVER



GH-010 (7/7)



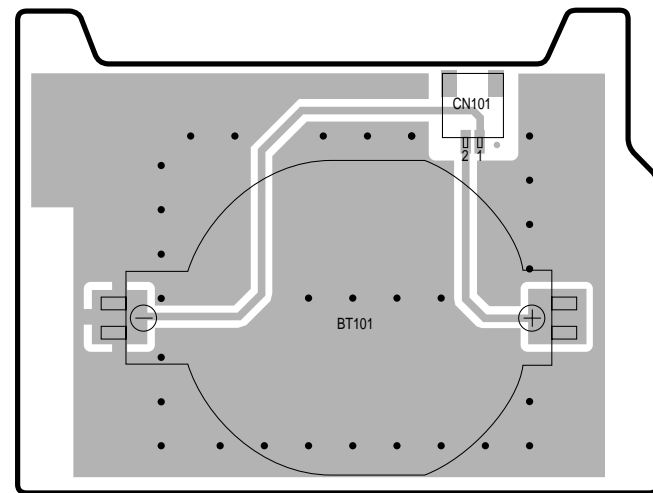
**GH-010**

A side

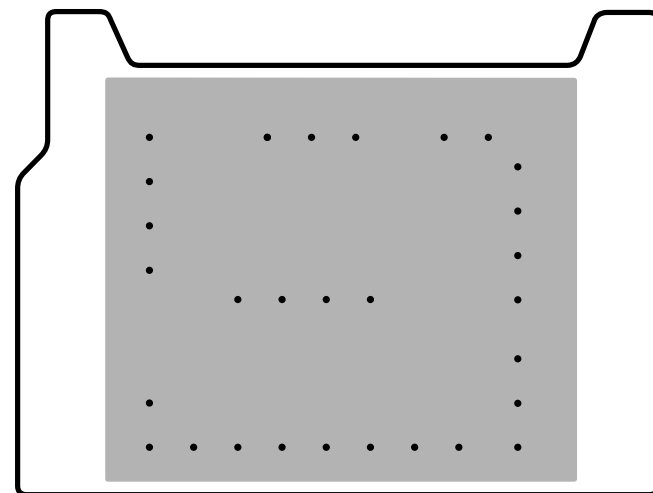




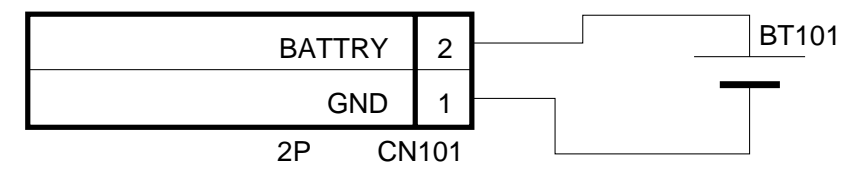




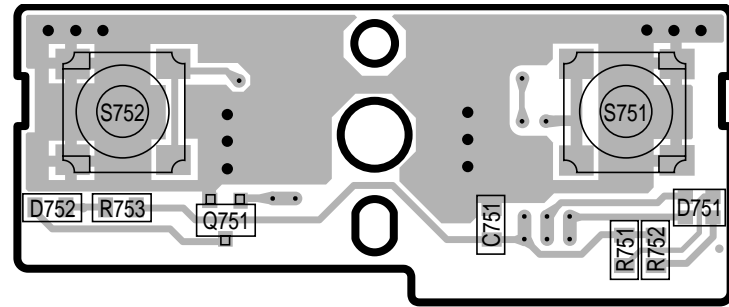
**GB-003**  
A side



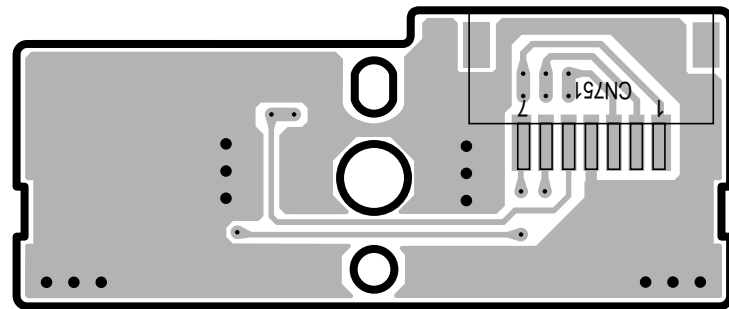
**GB-003**  
B side



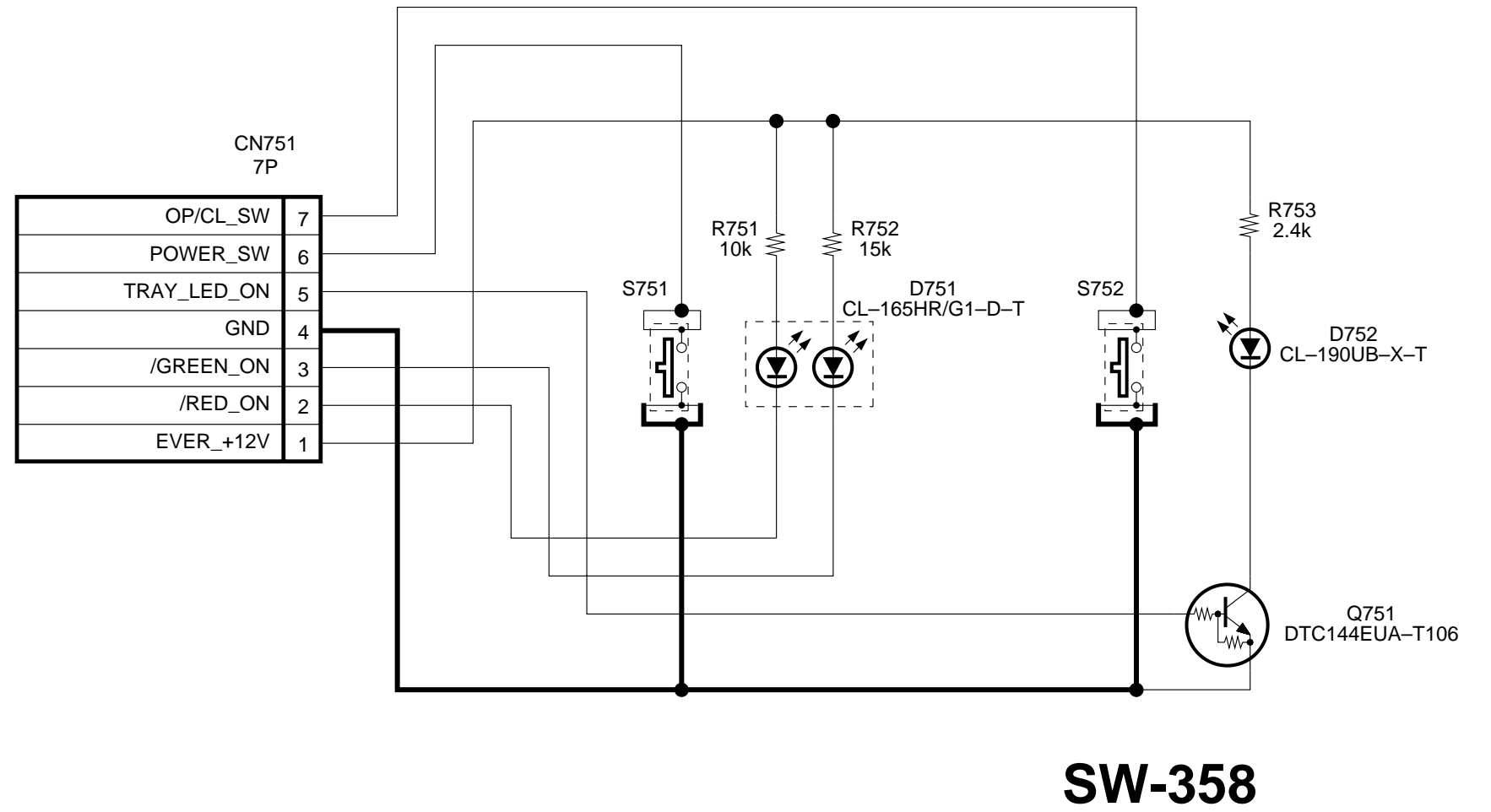
**GB-003**  
A side



**SW-358**  
A side



**SW-358**  
B side



# SECTION 5 ELECTRICAL PARTS LIST for SCPH-30002D/30003D/30004D GH010 MOUNT

**NOTE :**

- Due to standardization, replacements in the parts list may be different from the parts specified in the diagrams or the components used on the set.
- -XX and -X mean standardized parts, so they may have some difference from the original one.
- RESISTORS  
METAL : Metal-film resistor.  
F : nonflammable  
Unit is Ω.

**SEMICONDUCTORS**

- In each case, u : μ, for example :  
 uA . . : μA . .    uPA . . : μPA . .  
 uPB . . : μPB . .    uPC . . : μPC . .    uPD . . : μPD . .
- CAPACITORS  
uF : μF
  - COILS  
uH : μH

The components identified by mark  $\Delta$  or dotted line with mark.  $\Delta$  are critical for safety. Replace only with part number specified.

When indicating parts by reference number, please include the board.

Ref.	Part No.	Description
<b>Dissimilarity Parts</b>		
for SCPH-30002 GH010-64MM *****		
C408	1-125-837-91	CAP, CHIP CERAMIC 1MF B (1608)
C526	1-164-156-91	CAP, CHIP CERAMIC 0.1MF F (1608)
C543	1-113-619-91	CAP, CERAMIC 470000PF F (1608)
IC403	8-759-688-08	IC MM1537DFBE
IC505	6-800-199-01	IC TC5364200FT-PA07
IC518	8-759-680-49	IC TC7WB125FK(TE85R)
IC604	8-752-922-01	IC CXP101064-303R-T6
R527	1-216-821-91	RES, CHIP 1.0K (1608)
for SCPH-30002 GH010-64MR *****		
C408	1-107-826-91	CAP, CHIP CERAMIC 100000PF B
C526	1-164-156-91	CAP, CHIP CERAMIC 0.1MF F (1608)
C543	1-113-619-91	CAP, CERAMIC 470000PF F (1608)
IC403	6-700-234-01	IC BD3992F-E2
IC505	6-800-199-01	IC TC5364200FT-PA07
IC518	8-759-680-49	IC TC7WB125FK(TE85R)
IC604	8-752-922-02	IC CXP101064-303R-T7
R527	1-216-821-91	RES, CHIP 1.0K (1608)
for SCPH-30003/-30004 GH010-32MM *****		
C408	1-125-837-91	CAP, CHIP CERAMIC 1MF B (1608)
C505	1-113-619-91	CAP, CERAMIC 470000PF F (1608)
C512	1-113-619-91	CAP, CERAMIC 470000PF F (1608)
IC403	8-759-688-08	IC MM1537DFBE
IC503	6-800-197-01	IC MR27V3202F-A7TPZ
IC506	6-800-198-01	IC MR27V1602E-74TPZ
IC604	8-752-921-99	IC CXP101064-202R-T6
R510	1-216-864-91	CONDUCTOR, CHIP (1608)
R511	1-216-864-91	CONDUCTOR, CHIP (1608)
for SCPH-30003/-30004 GH010-64MM *****		
C408	1-125-837-91	CAP, CHIP CERAMIC 1MF B (1608)
C526	1-164-156-91	CAP, CHIP CERAMIC 0.1MF F (1608)
C543	1-113-619-91	CAP, CERAMIC 470000PF F (1608)
IC403	8-759-688-08	IC MM1537DFBE
IC505	6-800-196-01	IC TC5364200FT-PA06
IC518	8-759-680-49	IC TC7WB125FK(TE85R)
IC604	8-752-921-99	IC CXP101064-202R-T6
R527	1-216-821-91	RES, CHIP 1.0K (1608)

Ref.	Part No.	Description
for SCPH-30003/-30004 GH010-64MR *****		
C408	1-107-826-91	CAP, CHIP CERAMIC 100000PF B
C526	1-164-156-91	CAP, CHIP CERAMIC 0.1MF F (1608)
C543	1-113-619-91	CAP, CERAMIC 470000PF F (1608)
IC403	6-700-234-01	IC BD3992F-E2
IC505	6-800-196-01	IC TC5364200FT-PA06
IC518	8-759-680-49	IC TC7WB125FK(TE85R)
IC604	8-752-921-99	IC CXP101064-202R-T6
R527	1-216-821-91	RES, CHIP 1.0K (1608)
for IC801 : SP3727ACA0PMR(8-7529-685-15) *****		
C632	1-107-826-91	CAP, CHIP CERAMIC 100000PF
C689	1-162-968-91	CAP, CHIP CERAMIC 100000PF
IC606	8-759-712-38	IC HD74HC1G66CME
IC606	8-759-712-63	IC MC74VHC1G66DFT1
IC801	8-7529-685-15	IC SP3727ACA0PMR
R640	1-216-837-91	RES, CHIP 22K (1608)
R643	1-216-850-91	RES, CHIP 270K (1608)
for IC801:SP3727AFA0PMR(6-700-585-01) *****		
IC801	6-700-585-01	IC SP3727AFA0PMR
R640	1-216-864-91	CONDUCTOR, CHIP(1608)
<b>Common Parts</b>		
<CAPACITOR>		
C101	1-128-964-91	CAP, CHIP TANTALUM ELECT 100MF
C102	1-128-964-91	CAP, CHIP TANTALUM ELECT 100MF
C103	1-128-964-91	CAP, CHIP TANTALUM ELECT 100MF
C104	1-107-826-91	CAP, CHIP CERAMIC 100000PF B
C105	1-107-826-91	CAP, CHIP CERAMIC 100000PF B
C106	1-107-826-91	CAP, CHIP CERAMIC 100000PF B
C107	1-107-826-91	CAP, CHIP CERAMIC 100000PF B
C108	1-107-826-91	CAP, CHIP CERAMIC 100000PF B
C109	1-107-826-91	CAP, CHIP CERAMIC 100000PF B
C110	1-107-826-91	CAP, CHIP CERAMIC 100000PF B
C111	1-107-826-91	CAP, CHIP CERAMIC 100000PF B
C112	1-107-826-91	CAP, CHIP CERAMIC 100000PF B
C113	1-107-826-91	CAP, CHIP CERAMIC 100000PF B
C114	1-107-826-91	CAP, CHIP CERAMIC 100000PF B
C115	1-107-826-91	CAP, CHIP CERAMIC 100000PF B
C116	1-107-826-91	CAP, CHIP CERAMIC 100000PF B
C117	1-107-826-91	CAP, CHIP CERAMIC 100000PF B
C118	1-107-826-91	CAP, CHIP CERAMIC 100000PF B
C119	1-107-826-91	CAP, CHIP CERAMIC 100000PF B
C120	1-107-826-91	CAP, CHIP CERAMIC 100000PF B
C121	1-107-826-91	CAP, CHIP CERAMIC 100000PF B

Ref.	Part No.	Description
C122	1-107-826-91	CAP, CHIP CERAMIC 100000PF B
C123	1-107-826-91	CAP, CHIP CERAMIC 100000PF B
C124	1-107-826-91	CAP, CHIP CERAMIC 100000PF B
C125	1-107-826-91	CAP, CHIP CERAMIC 100000PF B
C126	1-107-826-91	CAP, CHIP CERAMIC 100000PF B
C127	1-107-826-91	CAP, CHIP CERAMIC 100000PF B
C128	1-107-826-91	CAP, CHIP CERAMIC 100000PF B
C129	1-107-826-91	CAP, CHIP CERAMIC 100000PF B
C131	1-162-970-91	CAP, CERAMIC 10000PF B (1608)
C132	1-125-777-81	CAP, CHIP CERAMIC 0.1MF B (1005)
C134	1-125-777-81	CAP, CHIP CERAMIC 0.1MF B (1005)
C135	1-107-826-91	CAP, CHIP CERAMIC 100000PF B
C136	1-162-964-91	CAP, CHIP CERAMIC 1000PF B (1608)
C137	1-107-826-91	CAP, CHIP CERAMIC 100000PF B
C138	1-107-826-91	CAP, CHIP CERAMIC 100000PF B
C139	1-107-826-91	CAP, CHIP CERAMIC 100000PF B
C140	1-107-826-91	CAP, CHIP CERAMIC 100000PF B
C141	1-135-609-91	CAP, CHIP TANTALUM ELECT 220MF
C142	1-107-826-91	CAP, CHIP CERAMIC 100000PF B
C143	1-107-826-91	CAP, CHIP CERAMIC 100000PF B
C144	1-107-826-91	CAP, CHIP CERAMIC 100000PF B
C145	1-107-826-91	CAP, CHIP CERAMIC 100000PF B
C146	1-162-964-91	CAP, CHIP CERAMIC 1000PF B (1608)
C147	1-162-964-91	CAP, CHIP CERAMIC 1000PF B (1608)
C148	1-107-826-91	CAP, CHIP CERAMIC 100000PF B
C149	1-107-826-91	CAP, CHIP CERAMIC 100000PF B
C150	1-162-970-91	CAP, CERAMIC 10000PF B (1608)
C151	1-164-160-91	CAP, CERAMIC 20PF CH (1608)
C152	1-164-160-91	CAP, CERAMIC 20PF CH (1608)
C153	1-162-970-91	CAP, CERAMIC 10000PF B (1608)
C154	1-162-970-91	CAP, CERAMIC 10000PF B (1608)
C155	1-107-826-91	CAP, CHIP CERAMIC 100000PF B
C156	1-107-826-91	CAP, CHIP CERAMIC 100000PF B
C157	1-125-777-81	CAP, CHIP CERAMIC 0.1MF B (1005)
C158	1-162-970-91	CAP, CERAMIC 10000PF B (1608)
C159	1-107-826-91	CAP, CHIP CERAMIC 100000PF B
C160	1-162-925-91	CAP, CERAMIC 68PF CH (1608)
C161	1-128-964-91	CAP, CHIP TANTALUM ELECT 100MF
C162	1-162-925-91	CAP, CERAMIC 68PF CH (1608)
C163	1-128-964-91	CAP, CHIP TANTALUM ELECT 100MF
C164	1-128-964-91	CAP, CHIP TANTALUM ELECT 100MF
C168	1-162-964-91	CAP, CHIP CERAMIC 1000PF B (1608)
C169	1-164-874-81	CAP, CHIP CERAMIC 100PF CH (1005)
C170	1-125-837-91	CAP, CHIP CERAMIC 1MF B (1608)
C175	1-125-777-81	CAP, CHIP CERAMIC 0.1MF B (1005)
C176	1-125-777-81	CAP, CHIP CERAMIC 0.1MF B (1005)
C212	1-125-837-91	CAP, CHIP CERAMIC 1MF B (1608)
C213	1-125-837-91	CAP, CHIP CERAMIC 1MF B (1608)
C214	1-125-837-91	CAP, CHIP CERAMIC 1MF B (1608)
C215	1-125-837-91	CAP, CHIP CERAMIC 1MF B (1608)
C216	1-125-837-91	CAP, CHIP CERAMIC 1MF B (1608)
C217	1-125-837-91	CAP, CHIP CERAMIC 1MF B (1608)
C218	1-125-837-91	CAP, CHIP CERAMIC 1MF B (1608)
C219	1-125-837-91	CAP, CHIP CERAMIC 1MF B (1608)
C220	1-125-837-91	CAP, CHIP CERAMIC 1MF B (1608)
C221	1-125-837-91	CAP, CHIP CERAMIC 1MF B (1608)
C222	1-125-837-91	CAP, CHIP CERAMIC 1MF B (1608)
C223	1-125-837-91	CAP, CHIP CERAMIC 1MF B (1608)
C224	1-125-837-91	CAP, CHIP CERAMIC 1MF B (1608)
C225	1-125-837-91	CAP, CHIP CERAMIC 1MF B (1608)
C226	1-125-837-91	CAP, CHIP CERAMIC 1MF B (1608)
C227	1-125-837-91	CAP, CHIP CERAMIC 1MF B (1608)
C228	1-125-837-91	CAP, CHIP CERAMIC 1MF B (1608)
C229	1-125-837-91	CAP, CHIP CERAMIC 1MF B (1608)
C230	1-125-837-91	CAP, CHIP CERAMIC 1MF B (1608)
C231	1-125-837-91	CAP, CHIP CERAMIC 1MF B (1608)

Ref.	Part No.	Description
C232	1-125-837-91	CAP, CHIP CERAMIC 1MF B (1608)
C233	1-125-837-91	CAP, CHIP CERAMIC 1MF B (1608)
C234	1-125-837-91	CAP, CHIP CERAMIC 1MF B (1608)
C235	1-125-837-91	CAP, CHIP CERAMIC 1MF B (1608)
C236	1-125-837-91	CAP, CHIP CERAMIC 1MF B (1608)
C237	1-125-837-91	CAP, CHIP CERAMIC 1MF B (1608)
C238	1-125-837-91	CAP, CHIP CERAMIC 1MF B (1608)
C239	1-125-837-91	CAP, CHIP CERAMIC 1MF B (1608)
C240	1-125-837-91	CAP, CHIP CERAMIC 1MF B (1608)
C241	1-125-837-91	CAP, CHIP CERAMIC 1MF B (1608)
C242	1-128-707-22	CAP, TANTALUM ELECT (SMD) 220
C243	1-135-609-91	CAP, CHIP TANTALUM ELECT 220MF
C244	1-128-707-22	CAP, TANTALUM ELECT (SMD) 220
C245	1-128-707-22	CAP, TANTALUM ELECT (SMD) 220
C247	1-107-826-91	CAP, CHIP CERAMIC 100000PF B
C248	1-107-826-91	CAP, CHIP CERAMIC 100000PF B
C249	1-115-156-91	CAP, CERAMIC 1000000PF F (1608)
C250	1-127-760-91	CAP, CERAMIC 4.7MF (2012)
C252	1-107-826-91	CAP, CHIP CERAMIC 100000PF B
C254	1-107-826-91	CAP, CHIP CERAMIC 100000PF B
C255	1-107-826-91	CAP, CHIP CERAMIC 100000PF B
C256	1-125-777-81	CAP, CHIP CERAMIC 0.1MF B (1005)
C257	1-125-837-91	CAP, CHIP CERAMIC 1MF B (1608)
C261	1-128-004-21	CAP, ELECT (CHIP) 10MF
C262	1-128-004-21	CAP, ELECT (CHIP) 10MF
C263	1-128-004-21	CAP, ELECT (CHIP) 10MF
C265	1-117-720-91	CAP, CERAMIC 4.7MF F (2012)
C266	1-128-004-21	CAP, ELECT (CHIP) 10MF
C267	1-126-210-21	CAP, ELECT 220MF
C268	1-126-210-21	CAP, ELECT 220MF
C269	1-164-160-91	CAP, CERAMIC 20PF CH (1608)
C270	1-125-777-81	CAP, CHIP CERAMIC 0.1MF B (1005)
C271	1-107-826-91	CAP, CHIP CERAMIC 100000PF B
C272	1-107-826-91	CAP, CHIP CERAMIC 100000PF B
C275	1-107-826-91	CAP, CHIP CERAMIC 100000PF B
C276	1-162-965-91	CAP, CERAMIC 1500PF B (1608)
C277	1-162-965-91	CAP, CERAMIC 1500PF B (1608)
C278	1-113-619-91	CAP, CERAMIC 470000PF F (1608)
C279	1-113-619-91	CAP, CERAMIC 470000PF F (1608)
C281	1-115-156-91	CAP, CERAMIC 1000000PF F (1608)
C282	1-113-619-91	CAP, CERAMIC 470000PF F (1608)
C283	1-107-826-91	CAP, CHIP CERAMIC 100000PF B
C285	1-113-619-91	CAP, CERAMIC 470000PF F (1608)
C286	1-113-619-91	CAP, CERAMIC 470000PF F (1608)
C287	1-107-826-91	CAP, CHIP CERAMIC 100000PF B
C288	1-125-837-91	CAP, CHIP CERAMIC 1MF B (1608)
C289	1-162-964-91	CAP, CHIP CERAMIC 1000PF B (1608)
C290	1-113-619-91	CAP, CERAMIC 470000PF F (1608)
C291	1-164-862-81	CAP, CHIP CERAMIC 33PF CH (1005)
C292	1-107-725-91	CAP, CERAMIC 100000PF B (2012)
C293	1-137-765-21	CAP, ELECT 47MF
C294	1-107-826-91	CAP, CHIP CERAMIC 100000PF B
C295	1-107-826-91	CAP, CHIP CERAMIC 100000PF B
C296	1-126-210-21	CAP, ELECT 220MF
C297	1-126-210-21	CAP, ELECT 220MF
C298	1-126-210-21	CAP, ELECT 220MF
C301	1-107-826-91	CAP, CHIP CERAMIC 100000PF B
C302	1-107-826-91	CAP, CHIP CERAMIC 100000PF B
C303	1-107-826-91	CAP, CHIP CERAMIC 100000PF B
C304	1-162-964-91	CAP, CHIP CERAMIC 1000PF B (1608)
C305	1-107-826-91	CAP, CHIP CERAMIC 100000PF B
C306	1-164-387-91	CAP, CERAMIC 240PF CH (1608)
C307	1-107-826-91	CAP, CHIP CERAMIC 100000PF B
C308	1-1	



Ref.	Part No.	Description	Ref.	Part No.	Description	Ref.	Part No.	Description	Ref.	Part No.	Description				
C311	1-162-916-91	CAP, CERAMIC 12PF CH	(1608)	C424	1-127-820-91	CAP, SQUARE TYPE CHIP 4.7MF	C504	1-164-346-91	CAP, CHIP CERAMIC 1MF F	(2012)	C657	1-164-230-91	CAP, CERAMIC 220PF CH	(1608)	
C312	1-162-917-91	CAP, CERAMIC 15PF CH	(1608)	C425	1-124-779-21	CAP, ELECT 10MF	C507	1-163-009-91	CAP, CHIP CERAMIC 1000PF B	(2012)	C658	1-164-230-91	CAP, CERAMIC 220PF CH	(1608)	
C313	1-162-910-91	CAP, CERAMIC 5.0PF CH	(1608)	C426	1-107-826-91	CAP, CHIP CERAMIC 100000PF B	C508	1-113-619-91	CAP, CERAMIC 470000PF F	(1608)	C660	1-107-826-91	CAP, CHIP CERAMIC 100000PF B	(1608)	
C314	1-162-910-91	CAP, CERAMIC 5.0PF CH	(1608)	C430	1-107-826-91	CAP, CHIP CERAMIC 100000PF B	C509	1-113-619-91	CAP, CERAMIC 470000PF F	(1608)	C661	1-164-360-91	CAP, CERAMIC 0.1MF F	(1608)	
C315	1-107-826-91	CAP, CHIP CERAMIC 100000PF B	(1608)	C431	1-107-826-91	CAP, CHIP CERAMIC 100000PF B	C510	1-113-619-91	CAP, CERAMIC 470000PF F	(1608)	C662	1-164-156-91	CAP, CHIP CERAMIC 0.1MF F	(1608)	
C316	1-165-112-91	CAP, CERAMIC 330000PF F	(1608)	C432	1-115-339-91	CAP, CERAMIC 0.1MF B	(2012)	C513	1-113-619-91	CAP, CERAMIC 470000PF F	(1608)	C664	1-135-259-91	CAP, CHIP TANTALUM ELECT 10MF	(1608)
C317	1-162-970-91	CAP, CERAMIC 10000PF B	(1608)	C433	1-115-339-91	CAP, CERAMIC 0.1MF B	(2012)	C514	1-113-619-91	CAP, CERAMIC 470000PF F	(1608)	C665	1-164-360-91	CAP, CERAMIC 0.1MF F	(1608)
C318	1-162-970-91	CAP, CERAMIC 10000PF B	(1608)	C434	1-162-964-91	CAP, CHIP CERAMIC 1000PF B	(1608)	C516	1-113-619-91	CAP, CERAMIC 470000PF F	(1608)	C666	1-164-360-91	CAP, CERAMIC 0.1MF F	(1608)
C319	1-162-970-91	CAP, CERAMIC 10000PF B	(1608)	C435	1-115-566-91	CAP, CERAMIC 4.7MF B	(2012)	C517	1-113-619-91	CAP, CERAMIC 470000PF F	(1608)	C667	1-164-360-91	CAP, CERAMIC 0.1MF F	(1608)
C320	1-162-970-91	CAP, CERAMIC 10000PF B	(1608)	C437	1-107-826-91	CAP, CHIP CERAMIC 100000PF B	(2012)	C518	1-113-619-91	CAP, CERAMIC 470000PF F	(1608)	C668	1-107-826-91	CAP, CHIP CERAMIC 100000PF B	(1608)
C321	1-162-970-91	CAP, CERAMIC 10000PF B	(1608)	C438	1-107-826-91	CAP, CHIP CERAMIC 100000PF B	(2012)	C521	1-125-837-91	CAP, CHIP CERAMIC 1MF B	(1608)	C671	1-164-156-91	CAP, CHIP CERAMIC 0.1MF F	(1608)
C322	1-162-970-91	CAP, CERAMIC 10000PF B	(1608)	C439	1-135-593-21	CAP, ELECT 150MF	(2012)	C522	1-164-156-91	CAP, CHIP CERAMIC 0.1MF F	(1608)	C672	1-164-156-91	CAP, CHIP CERAMIC 0.1MF F	(1608)
C323	1-162-970-91	CAP, CERAMIC 10000PF B	(1608)	C440	1-135-592-21	CAP, ELECT 100MF	(2012)	C523	1-107-726-91	CAP, CHIP CERAMIC 10000PF B	(1608)	C673	1-164-156-91	CAP, CHIP CERAMIC 0.1MF F	(1608)
C324	1-107-826-91	CAP, CHIP CERAMIC 100000PF B	(1608)	C441	1-135-593-21	CAP, ELECT 150MF	(2012)	C524	1-113-619-91	CAP, CERAMIC 470000PF F	(1608)	C674	1-164-156-91	CAP, CHIP CERAMIC 0.1MF F	(1608)
C325	1-162-970-91	CAP, CERAMIC 10000PF B	(1608)	C443	1-135-592-21	CAP, ELECT 100MF	(2012)	C525	1-113-619-91	CAP, CERAMIC 470000PF F	(1608)	C675	1-164-360-91	CAP, CERAMIC 0.1MF F	(1608)
C326	1-162-970-91	CAP, CERAMIC 10000PF B	(1608)	C444	1-107-826-91	CAP, CHIP CERAMIC 100000PF B	(2012)	C527	1-162-964-91	CAP, CHIP CERAMIC 1000PF B	(1608)	C676	1-164-360-91	CAP, CERAMIC 0.1MF F	(1608)
C327	1-162-970-91	CAP, CERAMIC 10000PF B	(1608)	C445	1-117-720-91	CAP, CERAMIC 4.7MF F	(2012)	C528	1-125-837-91	CAP, CHIP CERAMIC 1MF B	(1608)	C685	1-117-863-91	CAP, CHIP CERAMIC 0.47MF B	(1608)
C328	1-162-970-91	CAP, CERAMIC 10000PF B	(1608)	C446	1-135-592-21	CAP, ELECT 100MF	(2012)	C529	1-128-008-21	CAP, ELECT (CHIP) 3.3MF	(1608)	C688	1-162-964-91	CAP, CHIP CERAMIC 1000PF B	(1608)
C329	1-162-970-91	CAP, CERAMIC 10000PF B	(1608)	C447	1-107-682-91	CAP, CERAMIC 1000000PF B	(3216)	C530	1-128-008-21	CAP, ELECT (CHIP) 3.3MF	(1608)	C693	1-162-912-91	CAP, CERAMIC 7.0PF CH	(1608)
C330	1-162-970-91	CAP, CERAMIC 10000PF B	(1608)	C449	1-162-964-91	CAP, CHIP CERAMIC 1000PF B	(1608)	C533	1-113-619-91	CAP, CERAMIC 470000PF F	(1608)	C701	1-162-927-91	CAP, CERAMIC 100PF CH	(1608)
C331	1-162-970-91	CAP, CERAMIC 10000PF B	(1608)	C450	1-107-826-91	CAP, CHIP CERAMIC 100000PF B	(1608)	C534	1-113-619-91	CAP, CERAMIC 470000PF F	(1608)	C702	1-162-927-91	CAP, CERAMIC 100PF CH	(1608)
C332	1-162-970-91	CAP, CERAMIC 10000PF B	(1608)	C452	1-164-360-91	CAP, CERAMIC 0.1MF F	(1608)	C535	1-113-619-91	CAP, CERAMIC 470000PF F	(1608)	C703	1-162-927-91	CAP, CERAMIC 100PF CH	(1608)
C333	1-162-970-91	CAP, CERAMIC 10000PF B	(1608)	C453	1-164-360-91	CAP, CERAMIC 0.1MF F	(1608)	C536	1-113-619-91	CAP, CERAMIC 470000PF F	(1608)	C704	1-162-927-91	CAP, CERAMIC 100PF CH	(1608)
C334	1-162-970-91	CAP, CERAMIC 10000PF B	(1608)	C455	1-127-820-91	CAP, SQUARE TYPE CHIP 4.7MF	(2012)	C537	1-113-619-91	CAP, CERAMIC 470000PF F	(1608)	C705	1-162-927-91	CAP, CERAMIC 100PF CH	(1608)
C335	1-162-970-91	CAP, CERAMIC 10000PF B	(1608)	C456	1-127-760-91	CAP, CERAMIC 4.7MF	(2012)	C538	1-113-619-91	CAP, CERAMIC 470000PF F	(1608)	C706	1-162-927-91	CAP, CERAMIC 100PF CH	(1608)
C336	1-162-970-91	CAP, CERAMIC 10000PF B	(1608)	C457	1-127-760-91	CAP, CERAMIC 4.7MF	(2012)	C539	1-113-619-91	CAP, CERAMIC 470000PF F	(1608)	C707	1-127-692-91	CAP, CHIP CERAMIC 10MF B	(3225)
C337	1-162-970-91	CAP, CERAMIC 10000PF B	(1608)	C458	1-162-964-91	CAP, CHIP CERAMIC 1000PF B	(1608)	C540	1-113-619-91	CAP, CERAMIC 470000PF F	(1608)	C708	1-127-692-91	CAP, CHIP CERAMIC 10MF B	(3225)
C338	1-107-826-91	CAP, CHIP CERAMIC 100000PF B	(1608)	C460	1-164-174-91	CAP, CERAMIC 8200PF B	(1608)	C541	1-113-619-91	CAP, CERAMIC 470000PF F	(1608)	C709	1-127-692-91	CAP, CHIP CERAMIC 10MF B	(3225)
C339	1-125-764-61	CAP, CHIP CERAMIC 100PF CH	(1608)	C461	1-164-174-91	CAP, CERAMIC 8200PF B	(1608)	C542	1-162-927-91	CAP, CERAMIC 100PF CH	(1608)	C710	1-127-692-91	CAP, CHIP CERAMIC 10MF B	(3225)
C340	1-125-764-61	CAP, CHIP CERAMIC 100PF CH	(1608)	C462	1-163-009-91	CAP, CHIP CERAMIC 1000PF B	(2012)	C544	1-137-765-21	CAP, ELECT 47MF	(1608)	C711	1-135-346-21	CAP, SOLID ELECT 39MF	(1608)
C341	1-125-764-61	CAP, CHIP CERAMIC 100PF CH	(1608)	C465	1-125-777-81	CAP, CHIP CERAMIC 0.1MF B	(1005)	C545	1-137-765-21	CAP, ELECT 47MF	(1608)	C712	1-162-970-91	CAP, CERAMIC 10000PF B	(1608)
C342	1-107-826-91	CAP, CHIP CERAMIC 100000PF B	(1608)	C466	1-125-777-81	CAP, CHIP CERAMIC 0.1MF B	(1005)	C601	1-164-156-91	CAP, CHIP CERAMIC 0.1MF F	(1608)	C714	1-127-692-91	CAP, CHIP CERAMIC 10MF B	(3225)
C343	1-107-826-91	CAP, CHIP CERAMIC 100000PF B	(1608)	C467	1-126-209-21	CAP, ELECT 100MF	(1608)	C603	1-162-964-91	CAP, CHIP CERAMIC 1000PF B	(1608)	C715	1-127-692-91	CAP, CHIP CERAMIC 10MF B	(3225)
C344	1-107-826-91	CAP, CHIP CERAMIC 100000PF B	(1608)	C468	1-126-209-21	CAP, ELECT 100MF	(1608)	C605	1-162-964-91	CAP, CHIP CERAMIC 1000PF B	(1608)	C716	1-131-999-21	CAP, SOLID ELECT 150MF	(1608)
C345	1-125-777-81	CAP, CHIP CERAMIC 0.1MF B	(1005)	C469	1-162-977-91	CAP, CERAMIC 1800PF B	(1608)	C606	1-162-964-91	CAP, CHIP CERAMIC 1000PF B	(1608)	C717	1-135-346-21	CAP, SOLID ELECT 39MF	(1608)
C355	1-125-777-81	CAP, CHIP CERAMIC 0.1MF B	(1005)	C470	1-107-826-91	CAP, CHIP CERAMIC 100000PF B	(1608)	C607	1-162-968-91	CAP, CHIP CERAMIC 4700PF B	(1608)	C718	1-135-346-21	CAP, SOLID ELECT 39MF	(1608)
C356	1-125-777-81	CAP, CHIP CERAMIC 0.1MF B	(1005)	C471	1-164-379-91	CAP, CERAMIC 43PF CH	(1608)	C609	1-107-826-91	CAP, CHIP CERAMIC 100000PF B	(1608)	C722	1-164-937-81	CAP, CHIP CERAMIC 1000PF B	(1005)
C363	1-107-826-91	CAP, CHIP CERAMIC 100000PF B	(1608)	C472	1-107-826-91	CAP, CHIP CERAMIC 100000PF B	(1608)	C623	1-164-156-91	CAP, CHIP CERAMIC 0.1MF F	(1608)	C723	1-137-766-21	CAP, ELECT 68MF	(1608)
C364	1-107-826-91	CAP, CHIP CERAMIC 100000PF B	(1608)	C473	1-162-970-91	CAP, CERAMIC 10000PF B	(1608)	C624	1-107-826-91	CAP, CHIP CERAMIC 100000PF B	(1608)	C724	1-137-765-21	CAP, ELECT 47MF	(1608)
C365	1-107-826-91	CAP, CHIP CERAMIC 100000PF B	(1608)	C474	1-107-826-91	CAP, CHIP CERAMIC 100000PF B	(1608)	C625	1-164-156-91	CAP, CHIP CERAMIC 0.1MF F	(1608)	C725	1-124-779-21	CAP, ELECT 10MF	(1608)
C366	1-107-826-91	CAP, CHIP CERAMIC 100000PF B	(1608)	C475	1-164-730-91	CAP, CERAMIC 1200PF B	(1608)	C629	1-164-156-91	CAP, CHIP CERAMIC 0.1MF F	(1608)	C726	1-162-964-91	CAP, CHIP CERAMIC 1000PF B	(1608)
C367	1-107-826-91	CAP, CHIP CERAMIC 100000PF B	(1608)	C476	1-115-339-91	CAP, CERAMIC 0.1MF B	(2012)	C630	1-164-173-91	CAP, CERAMIC 3900PF B	(1608)	C727	1-164-937-81	CAP, CHIP CERAMIC 1000PF B	(1005)
C368	1-125-777-81	CAP, CHIP CERAMIC 0.1MF B	(1005)	C477	1-127-760-91	CAP, CERAMIC 4.7MF	(2012)	C631	1-162-968-91	CAP, CHIP CERAMIC 4700PF B	(1608)	C730	1-127-820-91	CAP, SQUARE TYPE CHIP 4.7MF	(1608)
C369	1-125-777-81	CAP, CHIP CERAMIC 0.1MF B	(1005)	C478	1-127-760-91	CAP, CERAMIC 4.7MF	(2012)	C633	1-164-156-91	CAP, CHIP CERAMIC 0.1MF F	(1608)	C791	1-164-245-91	CAP, CERAMIC 15000PF B	(1608)
C370	1-162-964-91	CAP, CHIP CERAMIC 1000PF B	(1608)	C479	1-125-837-91	CAP, CHIP CERAMIC 1MF B	(1608)	C634	1-164-156-91	CAP, CHIP CERAMIC 0.1MF F	(1608)	C792	1-104-851-91	CAP, CHIP TANTALUM ELECT 10MF	(1608)
C371	1-162-964-91	CAP, CHIP CERAMIC 1000PF B	(1608)	C480	1-115-339-91	CAP, CERAMIC 0.1MF B	(2012)	C635	1-162-968-91	CAP, CHIP CERAMIC 4700PF B	(1608)	C793	1-164-505-91	CAP, CHIP CERAMIC 2.2MF F	(2012)
C372	1-165-492-21	CAP, ELECT 100MF	(1608)	C482	1-107-826-91	CAP, CHIP CERAMIC 100000PF B	(1608)	C636	1-107-826-91	CAP, CHIP CERAMIC 100000PF B	(1608)	C794	1-163-009-91	CAP, CHIP CERAMIC 1000PF B	(2012)
C373	1-165-492-21	CAP, ELECT 100MF	(1608)	C483	1-107-826-91	CAP, CHIP CERAMIC 100000PF B	(1608)	C637	1-162-964-91	CAP, CHIP CERAMIC 1000PF B	(1608)	C795	1-163-009-91	CAP, CHIP CERAMIC 1000PF B	(2012)
C401	1-125-777-81	CAP, CHIP CERAMIC 0.1MF B	(1005)	C485	1-107-826-91	CAP, CHIP CERAMIC 100000PF B	(1608)	C638	1-107-726-91	CAP, CHIP CERAMIC 100000PF B	(1608)	C796	1-162-964-91	CAP, CHIP CERAMIC 1000PF B	(1608)
C402	1-164-505-91	CAP, CHIP CERAMIC 2.2MF F	(2012)	C486	1-137-765-21	CAP, ELECT 47MF	(1608)	C639	1-164-217-91	CAP, CERAMIC 150PF CH	(1608)	C797	1-162-927-91	CAP, CERAMIC 100PF CH	(1608)
C403	1-164-937-81	CAP, CHIP CERAMIC 1000PF B	(1005)	C487	1-131-999-21	CAP, SOLID ELECT 150MF	(1608)	C640	1-135-259-91	CAP, CHIP TANTALUM ELECT 10MF	(1608)	C798	1-162-927-91	CAP, CERAMIC 100PF CH	(1608)
C404	1-125-837-91	CAP, CHIP CERAMIC 1MF B	(1608)	C488	1-115-566-91	CAP, CERAMIC 4.7MF B	(2012)	C642	1-164-156-91	CAP, CHIP CERAMIC 0.1MF F	(1608)	C801	1-115-467-91	CAP, CHIP CERAMIC 0.22MF B	(1608)
C405	1-107-826-91	CAP, CHIP CERAMIC 100000PF B	(1608)	C489	1-131-999-21	CAP, SOLID ELECT 150MF	(2012)	C643	1-107-826-91	CAP, CHIP CERAMIC 100000PF B	(1608)	C802	1-115-467-91	CAP, CHIP CERAMIC 0.22MF B	(1608)
C407	1-107-826-91	CAP, CHIP CERAMIC 100000PF B	(1608)	C490	1-126-209-21	CAP, ELECT 100MF	(1608)	C644	1-164-230-91	CAP, CERAMIC 220PF CH	(1608)	C803	1-162-927-91	CAP, CERAMIC 100PF CH	(1608)
C409	1-162-969-91	CAP, CERAMIC 6800PF B	(1608)	C491	1-126-209-21	CAP, ELECT 100MF	(1608)	C645	1-165-176-91	CAP, CERAMIC 470000PF B	(1608)	C804	1-162-927-91	CAP, CERAMIC 100PF CH	(1608)
C410	1-162-969-91	CAP, CERAMIC 6800PF B	(1608)	C492	1-107-826-91	CAP, CHIP CERAMIC 100000PF B	(1608)	C646	1-162-964-91	CAP, CHIP CERAMIC 1000PF B	(1608)	C805	1-162-927-91	CAP, CERAMIC 100PF CH	(1608)
C414	1-162-965-91	CAP, CERAMIC 1500PF B	(1608)	C493	1-107-826-91	CAP, CHIP CERAMIC 100000PF B	(1608)	C647	1-117-863-91	CAP, CHIP CERAMIC 0.47MF B	(1608)	C806	1-162-927-91	CAP, CERAMIC 100PF CH	(1608)
C415	1-162-965-91	CAP, CERAMIC 1500PF B	(1608)	C494	1-107-725-91	CAP, CERAMIC 100000PF B	(2012)	C648	1-164-360-91	CAP, CERAMIC 0.1MF F	(1608)	C807	1-162-927-91	CAP, CERAMIC 100PF CH	(1608)
C416	1-107-826-91	CAP, CHIP CERAMIC													





Ref.	Part No.	Description	Ref.	Part No.	Description	Ref.	Part No.	Description	Ref.	Part No.	Description
IC413	6-700-233-01	IC MM1573ZNLB	Q204	8-729-049-77	TRANSISTOR HN1B01F-GR (T5LSONY)	R138	1-216-864-91	CONDUCTOR, CHIP (1608)	R331	1-216-805-91	RES, CHIP 47 (1608)
IC413	8-759-598-12	IC LP29851M5X-3.5	Q205	8-729-013-22	TRANSISTOR HN1A01FU-TE85R	R139	1-216-801-91	RES, CHIP 22 (1608)	R332	1-216-817-91	RES, CHIP 470 (1608)
IC414	8-759-069-41	IC TA7808F(TF16L)	Q401	8-729-055-58	TRANSISTOR SI4894DY-T1	R145	1-218-953-81	RES, CHIP 1.0K (1608)	R333	1-216-817-91	RES, CHIP 470 (1608)
IC414	8-759-473-16	IC BA17808FP-E2	Q402	8-729-053-80	TRANSISTOR SI4830DY-T1	R146	1-216-821-91	RES, CHIP 1.0K (1608)	R334	1-216-829-91	RES, CHIP 4.7K (1608)
IC414	8-759-697-62	IC NJM7808DL1A(TF1)	Q404	8-729-052-07	TRANSISTOR HAT2064R-EL	R147	1-216-821-91	RES, CHIP 1.0K (1608)	R335	1-216-829-91	RES, CHIP 4.7K (1608)
IC415	8-759-581-11	IC NJM2125F(TF2)	Q405	8-729-427-47	TRANSISTOR XP4213-TXE	R185	1-216-829-91	RES, CHIP 4.7K (1608)	R336	1-216-821-91	RES, CHIP 1.0K (1608)
IC501	6-700-231-01	IC CXD9611AR	Q406	8-729-053-80	TRANSISTOR SI4830DY-T1	R188	1-216-829-91	RES, CHIP 4.7K (1608)	R347	1-211-986-91	RES, CHIP 51 (1608)
IC501	8-759-699-10	IC CXD9611R	Q407	8-729-046-04	TRANSISTOR FDS6690A	R196	1-218-933-81	RES, CHIP 22 (1608)	R349	1-216-821-91	RES, CHIP 1.0K (1608)
IC502	8-759-712-79	IC K4E151612D-TL50T00	Q408	8-729-051-61	TRANSISTOR IRF7807D1-TR	R202	1-216-833-91	RES, CHIP 10K (1608)	R350	1-216-807-91	RES, CHIP 68 (1608)
IC502	8-759-712-80	IC MT4LC1M16E5TG-5TR	Q409	8-729-427-47	TRANSISTOR XP4213-TXE	R203	1-216-864-91	CONDUCTOR, CHIP (1608)	R351	1-216-805-91	RES, CHIP 47 (1608)
IC502	8-759-712-81	IC GM71V18163CT-5	Q410	8-729-013-97	TRANSISTOR RN1304-TE85L	R205	1-216-864-91	CONDUCTOR, CHIP (1608)	R352	1-216-797-91	RES, CHIP 10 (1608)
IC502	8-759-712-82	IC SDMV18165CTM6S	Q411	8-729-043-74	TRANSISTOR SI4435DY-T1-REVA	R208	1-216-864-91	CONDUCTOR, CHIP (1608)	R353	1-216-801-91	RES, CHIP 22 (1608)
IC503	6-800-197-01	IC MR27V3202F-A7TPZ	Q412	8-729-043-74	TRANSISTOR SI4435DY-T1-REVA	R212	1-216-864-91	CONDUCTOR, CHIP (1608)	R354	1-216-801-91	RES, CHIP 22 (1608)
IC504	8-752-408-53	IC CXD2942AR	Q413	8-729-054-34	TRANSISTOR FDN304P	R213	1-216-864-91	CONDUCTOR, CHIP (1608)	R357	1-218-933-81	RES, CHIP 22 (1608)
IC504	8-752-410-55	IC CXD2942BR	Q414	8-729-043-74	TRANSISTOR SI4435DY-T1-REVA	R216	1-216-809-91	RES, CHIP 100 (1608)	R358	1-216-801-91	RES, CHIP 22 (1608)
IC517	8-759-667-10	IC CS4335-KS	Q415	8-729-052-41	TRANSISTOR 2SC4541 (2TL SONY1)	R217	1-218-859-91	RES, CHIP 3.3K (1608)	R359	1-216-801-91	RES, CHIP 22 (1608)
IC603	8-759-370-11	IC NJM2100V-TE2	Q505	8-729-021-09	TRANSISTOR RN4904 (TE85R)	R218	1-218-847-91	RES, CHIP 1.0K (1608)	R360	1-218-937-81	RES, CHIP 47 (1608)
IC605	8-752-413-11	IC CXD1869BQ	Q506	8-729-056-15	TRANSISTOR IMH20T108	R219	1-218-851-91	RES, CHIP 1.5K (1608)	R361	1-218-937-81	RES, CHIP 47 (1608)
IC802	8-759-697-65	IC BA5815FM-E2	Q600	8-729-016-26	TRANSISTOR 2SK1958-T1	R220	1-218-933-81	RES, CHIP 22 (1608)	R362	1-216-805-91	RES, CHIP 47 (1608)
IC803	8-759-588-60	IC BA6664FM-E2	Q603	8-729-017-33	TRANSISTOR RN1706-TE85R	R225	1-216-833-91	RES, CHIP 10K (1608)	R363	1-216-864-91	CONDUCTOR, CHIP (1608)
IC805	8-759-712-38	IC HD74HC1G66CME	Q801	8-729-031-35	TRANSISTOR 2SK2034-TE85L	R226	1-218-965-81	RES, CHIP 10K (1608)	R364	1-216-805-91	RES, CHIP 47 (1608)
IC805	8-759-712-63	IC MC74VHC1G66DFT1	Q802	8-729-029-13	TRANSISTOR DTC143ZUA-T106	R227	1-216-864-91	CONDUCTOR, CHIP (1608)	R365	1-216-805-91	RES, CHIP 47 (1608)
IC806	8-759-337-40	IC NJM2904V(TF2)	Q803	8-729-031-35	TRANSISTOR 2SK2034-TE85L	R228	1-218-965-81	RES, CHIP 10K (1608)	R366	1-218-937-81	RES, CHIP 47 (1608)
IC807	8-759-391-69	IC MC78M05CDTRK	Q804	8-729-103-96	TRANSISTOR 2SB798-T1DL	R233	1-216-821-91	RES, CHIP 1.0K (1608)	R367	1-216-805-91	RES, CHIP 47 (1608)
IC807	8-759-691-00	IC JCP78M05CDTRK	Q805	8-729-103-96	TRANSISTOR 2SB798-T1DL	R237	1-216-829-91	RES, CHIP 4.7K (1608)	R368	1-216-805-91	RES, CHIP 47 (1608)
IC807	8-759-697-61	IC L78M05CDT-TR(P)	Q806	8-729-048-50	TRANSISTOR 2SK3018-T106	R244	1-218-831-91	RES, CHIP 220 (1608)	R394	1-216-833-91	RES, CHIP 10K (1608)
		<INDUCTOR>	Q808	8-729-048-50	TRANSISTOR 2SK3018-T106	R245	1-218-831-91	RES, CHIP 220 (1608)	R395	1-218-957-81	RES, CHIP 2.2K (1608)
L102	1-414-398-41	INDUCTOR (SMD) 10.0UH	Q810	8-729-048-50	TRANSISTOR 2SK3018-T106	R246	1-218-831-91	RES, CHIP 220 (1608)	R401	1-218-969-81	RES, CHIP 22K (1608)
L203	1-469-967-21	INDUCTOR, CHIP 10UH (2518)	Q814	8-729-029-13	TRANSISTOR DTC143ZUA-T106	R247	1-216-801-91	RES, CHIP 22 (1608)	R402	1-216-837-91	RES, CHIP 22K (1608)
L205	1-469-967-21	INDUCTOR, CHIP 10UH (2518)			<RESISTOR>	R251	1-216-837-91	RES, CHIP 22K (1608)	R403	1-216-849-91	RES, CHIP 220K (1608)
L206	1-412-960-21	INDUCTOR, SMALL TYPE 56UH (2518)	R101	1-220-884-81	RES, CHIP 39 (1005)	R252	1-216-839-91	RES, CHIP 33K (1608)	R404	1-216-845-91	RES, CHIP 100K (1608)
L401	1-411-197-21	COIL, DD CONVERTER	R102	1-208-866-81	RES, CHIP 130 (1005)	R253	1-216-833-91	RES, CHIP 10K (1608)	R405	1-216-845-91	RES, CHIP 100K (1608)
L404	1-419-905-21	COIL, CHOKE (SMD) 1.82UH	R103	1-220-884-81	RES, CHIP 39 (1005)	R257	1-216-824-91	RES, CHIP 1.8K (1608)	R406	1-216-811-91	RES, CHIP 150 (1608)
L408	1-419-898-21	COIL, CHOKE 5.6UH	R104	1-208-866-81	RES, CHIP 130 (1005)	R258	1-208-923-81	RES, CHIP 33K (1005)	R407	1-216-811-91	RES, CHIP 150 (1608)
L410	1-411-197-21	COIL, DD CONVERTER	R105	1-216-864-91	CONDUCTOR, CHIP (1608)	R259	1-216-824-91	RES, CHIP 1.8K (1608)	R408	1-216-839-91	RES, CHIP 33K (1608)
L411	1-424-789-21	COIL, CHOKE (SMD) 10UH	R106	1-216-809-91	RES, CHIP 100 (1608)	R261	1-218-961-81	RES, CHIP 4.7K (1608)	R409	1-216-864-91	CONDUCTOR, CHIP (1608)
L412	1-411-197-21	COIL, DD CONVERTER	R107	1-216-809-91	RES, CHIP 100 (1608)	R263	1-216-825-91	RES, CHIP 2.2K (1608)	R410	1-218-883-91	RES, CHIP 33K (1608)
L413	1-424-789-21	COIL, CHOKE (SMD) 10UH	R109	1-218-961-81	RES, CHIP 4.7K (1608)	R264	1-216-821-91	RES, CHIP 1.0K (1608)	R411	1-218-883-91	RES, CHIP 33K (1608)
L414	1-424-789-21	COIL, CHOKE (SMD) 10UH	R110	1-211-983-91	RES, CHIP 39 (1608)	R265	1-216-821-91	RES, CHIP 1.0K (1608)	R412	1-218-883-91	RES, CHIP 33K (1608)
L801	1-469-524-91	INDUCTOR 4.7UH (NLFV25)	R111	1-211-983-91	RES, CHIP 39 (1608)	R270	1-218-853-91	RES, CHIP 1.8K (1608)	R413	1-218-883-91	RES, CHIP 33K (1608)
L802	1-469-524-91	INDUCTOR 4.7UH (NLFV25)	R112	1-211-989-91	RES, CHIP 68 (1608)	R272	1-218-859-91	RES, CHIP 3.3K (1608)	R414	1-216-864-91	CONDUCTOR, CHIP (1608)
L803	1-414-394-41	INDUCTOR (SMD) 2.2UH	R113	1-211-989-91	RES, CHIP 68 (1608)	R273	1-218-851-91	RES, CHIP 1.5K (1608)	R415	1-216-839-91	RES, CHIP 33K (1608)
		<COIL>	R114	1-211-983-91	RES, CHIP 39 (1608)	R277	1-218-853-91	RES, CHIP 1.8K (1608)	R416	1-216-839-91	RES, CHIP 33K (1608)
LF101	1-419-100-21	COIL, COMMON-MODE CHOKE	R115	1-211-983-91	RES, CHIP 39 (1608)	R278	1-218-859-91	RES, CHIP 3.3K (1608)	R417	1-216-813-91	RES, CHIP 220 (1608)
LF801	1-416-405-21	FILTER, CHIP EMI (COMMON MODE)	R116	1-211-983-91	RES, CHIP 39 (1608)	R279	1-218-851-91	RES, CHIP 1.5K (1608)	R418	1-216-817-91	RES, CHIP 470 (1608)
		<LINK>	R117	1-211-983-91	RES, CHIP 39 (1608)	R292	1-216-833-91	RES, CHIP 10K (1608)	R419	1-216-833-91	RES, CHIP 10K (1608)
△ PS001	1-576-519-21	FUSE, MICRO (1608 TYPE)	R118	1-211-973-91	RES, CHIP 15 (1608)	R294	1-216-829-91	RES, CHIP 4.7K (1608)	R420	1-216-833-91	RES, CHIP 10K (1608)
△ PS002	1-533-940-21	RINK, CHIP IC	R119	1-211-973-91	RES, CHIP 15 (1608)	R295	1-216-817-91	RES, CHIP 470 (1608)	R421	1-216-790-91	RES, CHIP 2.7 (1608)
△ PS003	1-533-940-21	RINK, CHIP IC	R120	1-211-973-91	RES, CHIP 15 (1608)	R307	1-208-857-81	RES, CHIP 56 (1005)	R422	1-216-797-91	RES, CHIP 10 (1608)
△ PS004	1-533-940-21	RINK, CHIP IC	R121	1-211-973-91	RES, CHIP 15 (1608)	R308	1-208-904-81	RES, CHIP 5.1K (1005)	R423	1-216-790-91	RES, CHIP 2.7 (1608)
△ PS006	1-533-915-41	RINK, CHIP IC	R122	1-216-864-91	CONDUCTOR, CHIP (1608)	R309	1-211-987-91	RES, CHIP 56 (1608)	R424	1-216-797-91	RES, CHIP 10 (1608)
△ PS007	1-533-282-21	LINK, IC	R123	1-218-990-81	CONDUCTOR, CHIP (1005)	R310	1-211-987-91	RES, CHIP 56 (1608)	R426	1-218-879-91	RES, CHIP 22K (1608)
△ PS008	1-533-940-21	RINK, CHIP IC	R124	1-216-864-91	CONDUCTOR, CHIP (1608)	R311	1-216-829-91	RES, CHIP 4.7K (1608)	R427	1-218-871-91	RES, CHIP 10K (1608)
△ PS009	1-533-915-41	RINK, CHIP IC	R125	1-218-990-81	CONDUCTOR, CHIP (1005)	R312	1-208-857-81	RES, CHIP 56 (1005)	R428	1-216-309-91	RES, CHIP 5.6 (2012)
△ PS010	1-533-282-21	LINK, IC	R126	1-216-833-91	RES, CHIP 10K (1608)	R315	1-218-866-91	RES, CHIP 6.2K (1608)	R429	1-216-833-91	RES, CHIP 10K (1608)
△ PS011	1-576-519-21	FUSE, MICRO (1608 TYPE)	R127	1-216-829-91	RES, CHIP 4.7K (1608)	R316	1-216-797-91	RES, CHIP 10 (1608)	R430	1-216-813-91	RES, CHIP 220 (1608)
△ PS012	1-533-915-41	RINK, CHIP IC	R128	1-216-829-91	RES, CHIP 4.7K (1608)	R318	1-218-990-81	CONDUCTOR, CHIP (1005)	R431	1-216-813-91	RES, CHIP 220 (1608)
△ PS013	1-533-940-21	RINK, CHIP IC	R129	1-216-821-91	RES, CHIP 1.0K (1608)	R320	1-219-570-91	RES, CHIP 10M (1608)	R432	1-216-829-91	RES, CHIP 4.7K (1608)
△ PS014	1-533-282-21	LINK, IC	R130	1-216-817-91	RES, CHIP 470 (1608)	R321	1-216-813-91	RES, CHIP 220 (1608)	R433	1-216-829-91	RES, CHIP 4.7K (1608)
△ PS015	1-533-915-41	RINK, CHIP IC	R131	1-216-833-91	RES, CHIP 10K (1608)	R322	1-216-857-91	RES, CHIP 1.0M (1608)	R434	1-216-810-91	RES, CHIP 120 (1608)
		<TRANSISTOR>	R132	1-216-833-91	RES, CHIP 10K (1608)	R324	1-216-833-91	RES, CHIP 10K (1608)	R435	1-216-810-91	RES, CHIP 120 (1608)
Q201	8-729-026-50	TRANSISTOR 2SA1037AK-T146-QR	R133	1-216-833-91	RES, CHIP 10K (1608)	R327	1-216-833-91	RES, CHIP 10K (1608)	R438	1-218-850-91	RES, CHIP 1.3K (1608)
			R134	1-218-965-81	RES, CHIP 10K (1608)	R328	1-216-841-91	RES, CHIP 47K (1608)	R439	1-218-857-91	RES, CHIP 2.7K (1608)
			R135	1-216-864-91	CONDUCTOR, CHIP (1608)	R329	1-216-805-91	RES, CHIP 47 (1608)	R440	1-218-859-91	RES, CHIP 3.3K (1608)
			R136	1-216-864-91	CONDUCTOR, CHIP (1608)	R330	1-211-973-91	RES, CHIP 15 (1608)	R441	1-218-879-91	RES, CHIP 22K (1608)
									R442	1-218-869-91	RES, CHIP 8.2K (1608)





Ref.	Part No.	Description
	A-6712-923-A	MOUNTED CIRCUIT BOARD, GB-003 ***** PLACE CODE #25BG
		<BATTERY>
BT101	1-756-076-21	HOLDER, LITHIUM BATTERY  <CONNECTOR>
CN101	1-815-648-21	PIN, CONNECTOR (PC BOARD)
*****		
	A-6712-922-A	MOUNTED CIRCUIT BOARD, SW-358 ***** PLACE CODE #25BG
		<CONNECTOR>
CN751	1-785-470-21	CONNECTOR, FPC(LIF(NON-ZIF))7P  <DIODE>
D751	8-719-078-90	DIODE CL-165HR/G1-D-T
D752	8-719-080-04	DIODE CL-190UB-X-T  <TRANSISTOR>
Q751	8-729-013-97	TRANSISTOR RN1304-TE85L  <RESISTOR>
R751	1-216-833-91	RES, CHIP 10K (1608)
R752	1-216-835-91	RES, CHIP 15K (1608)
R753	1-216-993-91	RES, CHIP 2.4K (1608)
		<SWITCH>
S751	1-771-917-21	SWITCH, TACTILE
S752	1-771-917-21	SWITCH, TACTILE
*****		

Ref.	Part No.	Description
		SUPPLIED ACCESSORIES PLACE CODE #23 *****
	A-6785-242-A	ACCESSORY & PACKING GROUP
△ AC	1-555-074-51	CORD, POWER for SCPH-30002
△ AC	1-751-115-21	CORD, POWER for SCPH-30003
△ AC	1-575-131-82	CORD, POWER for SCPH-30004
CONV	1-573-291-12	CONNECTOR, CONVERSION for SCPH-30003/-30004
AV	1-792-028-11	CORD, CONNECTION
CONT	1-792-238-72	DS2 ANALOG CONTROLLER
SH	3-060-494-01	SHEET, PROTECTION
CU	3-064-714-01	CUSHION
PA	3-065-172-01	PAD, TOGETHER PACKING for SCPH-30003/-30004
CA	3-066-440-12	INDIVIDUAL CARTON for SCPH-30002
CA	3-066-440-02	INDIVIDUAL CARTON for SCPH-30003
CA	3-066-446-02	INDIVIDUAL CARTON for SCPH-30004
MC	3-066-441-21	MASTER CARTON, 3 SETS
	A-6785-208-A	ACCESSORY & PACKING GROUP
		MANUAL BLOCK ASSY PLACE CODE #23 *****
	A-6785-243-A	MANUAL BLOCK ASSY, INSTRUCTION for SCPH-30002
	A-6785-245-A	MANUAL BLOCK ASSY, INSTRUCTION for SCPH-30003
	A-6785-241-A	MANUAL BLOCK ASSY, INSTRUCTION for SCPH-30004
RE	3-066-158-02	CARD (A), OWNER REGISTRATION
DISC	3-066-725-02	DISK, DEMONSTRATION
IN	3-068-128-11	INSTRUCTION for SCPH-30002
IN	3-068-129-12	INSTRUCTION for SCPH-30003
IN	3-068-130-13	INSTRUCTION for SCPH-30004
IM	3-068-537-21	MANUAL, INSTRUCTION for SCPH-30002
IM	3-068-537-31	MANUAL, INSTRUCTION for SCPH-30003
IM	3-068-537-41	MANUAL, INSTRUCTION for SCPH-30004
SE	3-987-375-02	SEAL, SEAL
*****		

Ref. Part No. Description


Ref. Part No. Description

## SECTION 6

### PRINTED WIRING BOARDS AND SCHEMATIC DIAGRAMS for SCPH-30003D'/30004D'

#### THIS NOTE IS COMMON FOR PRINTED WIRING BOARDS AND SCHEMATIC DIAGRAMS.

##### Note on Printed Wiring Boards :

- Through hole is omitted.
-  : Pattern on the side which is seen.

##### Note on Schematic Diagram :

- Use caution when replacing chip parts.  
New parts must be attached after removal of chip.  
Be careful not to heat the minus side of tantalum capacitor, because it is damaged by the heat.
- All capacitors are in  $\mu\text{F}$  unless otherwise noted.  $\text{pF}$  :  $\mu\mu\text{F}$  50 WV or less are not indicated except for electrolytics and tantalums.
- All resistors are in  $\Omega$  and 1/4 W (Chip resistors : 1/10W) unless otherwise specified.
- Chip resistors are 1/8 W or 1/10 W unless otherwise noted.  
 $\text{k}\Omega$  :  $1000\Omega$ ,  $\text{M}\Omega$  :  $1000 \text{ k}\Omega$ .

##### Note :





The components identified by mark  $\triangle$  or dotted line with mark  $\triangle$  are critical for safety. Replace only with part number specified.

##### Note :

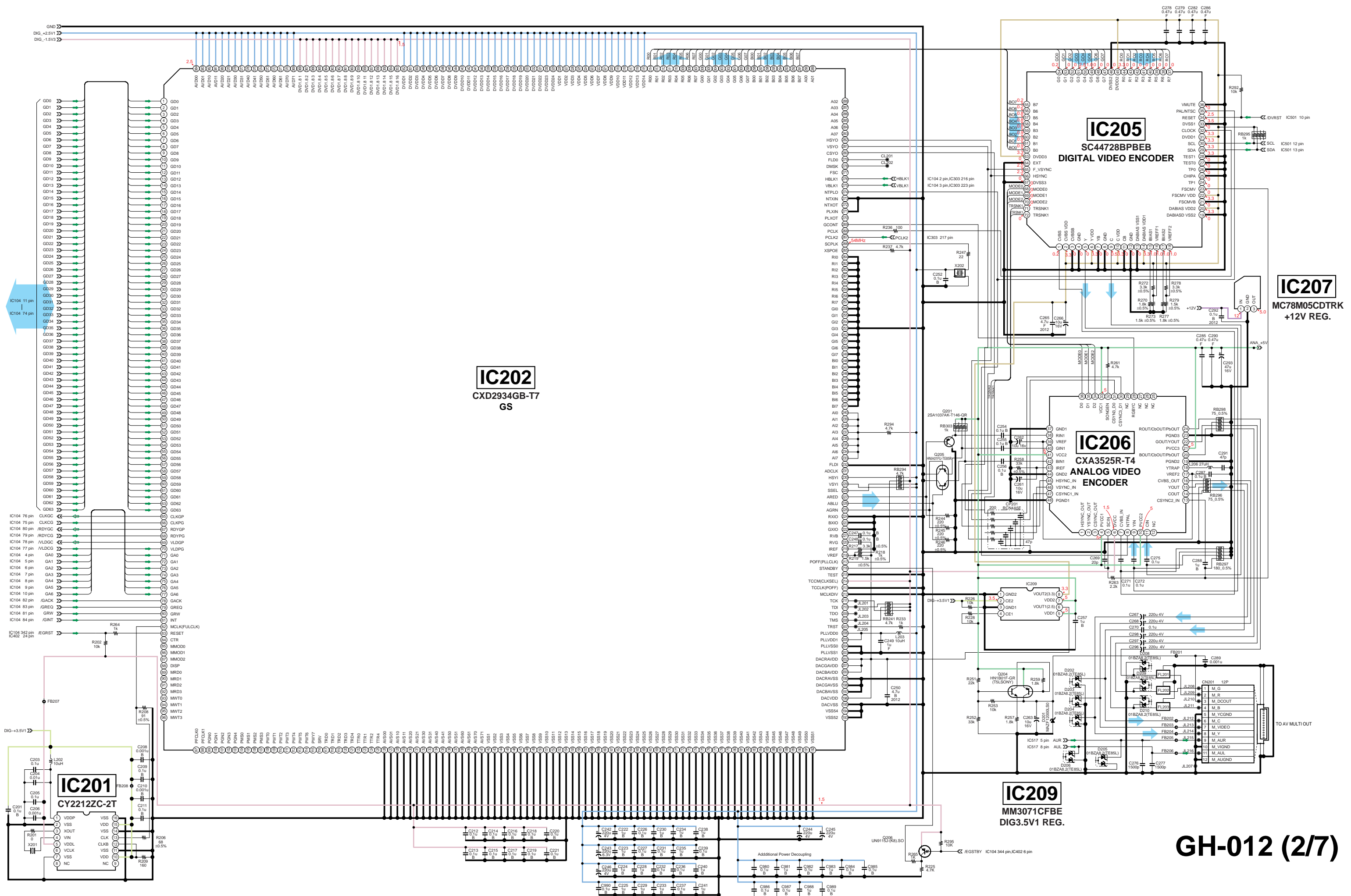
Les composants identifiés par une marque  $\triangle$  sont critiques pour la sécurité. Ne les remplacer que par une pièce portant le numéro spécifié.

##### Note on DC Power line :

Unit of voltage is V (volt)

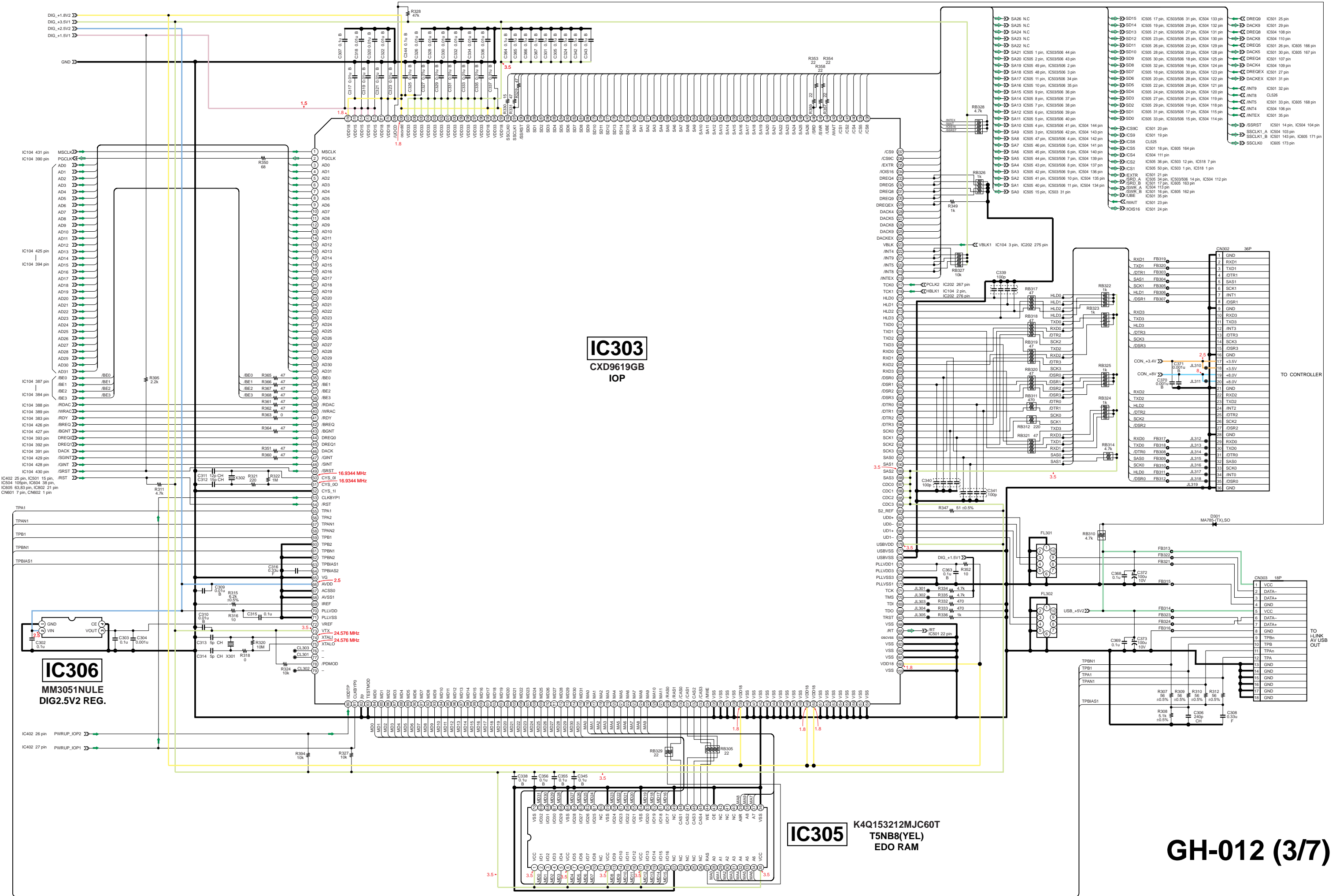
- |   |  |
|---|--|
| • +12V :   | • +3.3V :             |
| • +8.0V :  | • +2.5V :             |
| • +5.0V :  | • +1.8V :             |
| • +3.5V :  | • +1.7V :             |
| • +3.4V :  | • +1.5V :             |
| • IN :     | • Main Signal Line :  |
| • OUT :    |  |





**GH-012 (2/7)**



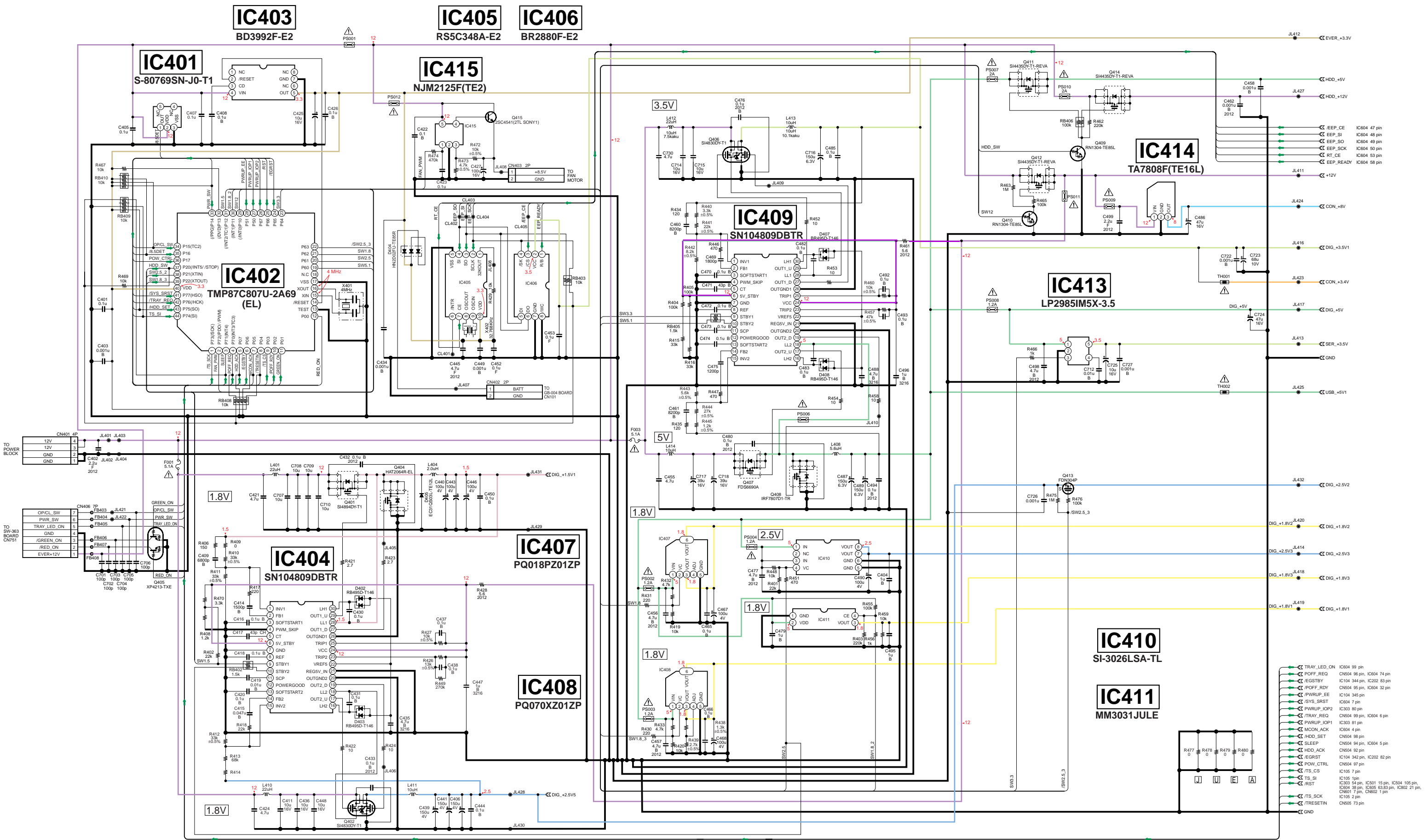


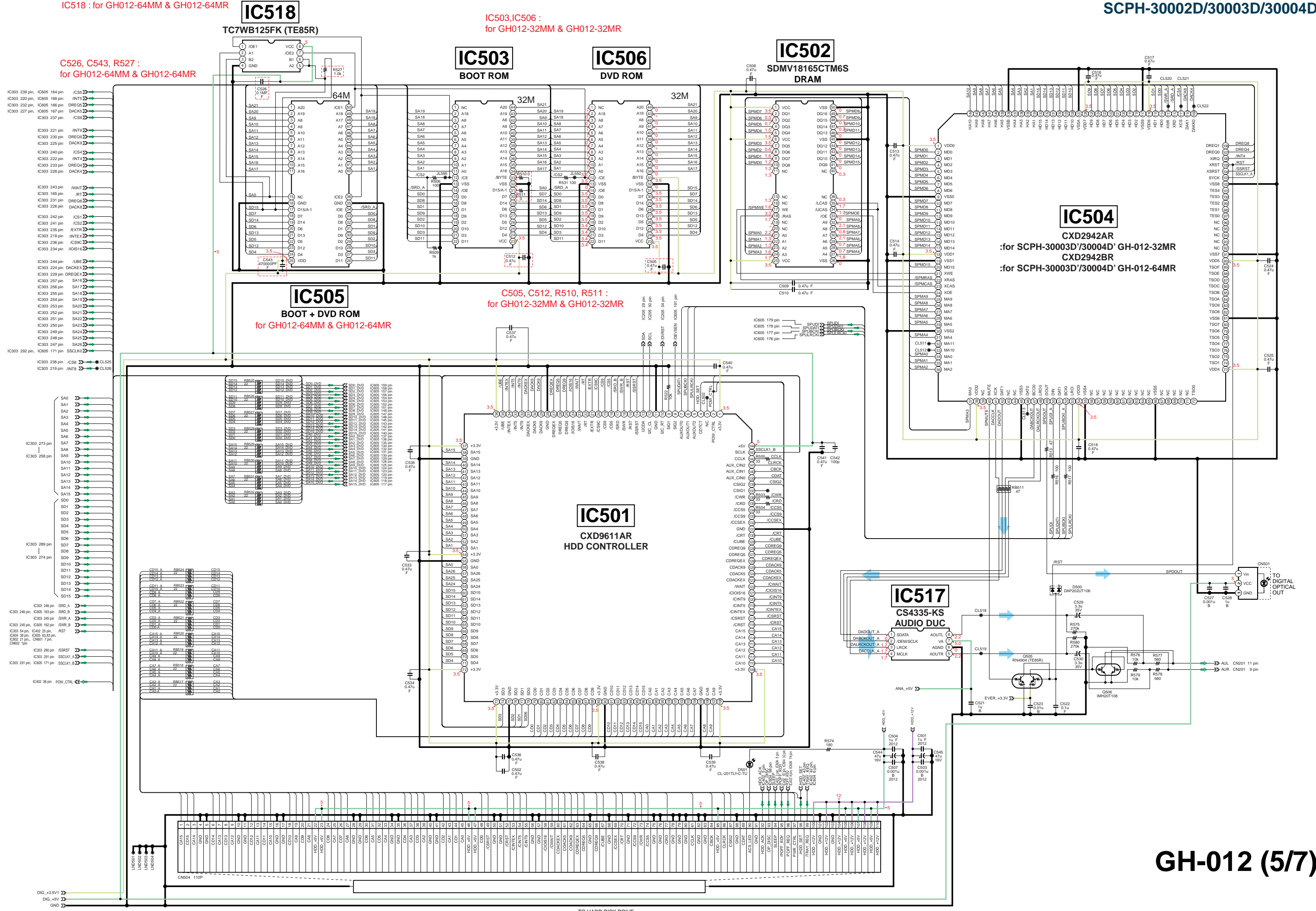
**IC303**  
CXD9619GB  
IOP

**IC306**  
MM3051NULE  
DIG2.5V2 REG.

**IC305** K4Q153212MJC60T  
T5NB8(YEL)  
EDO RAM

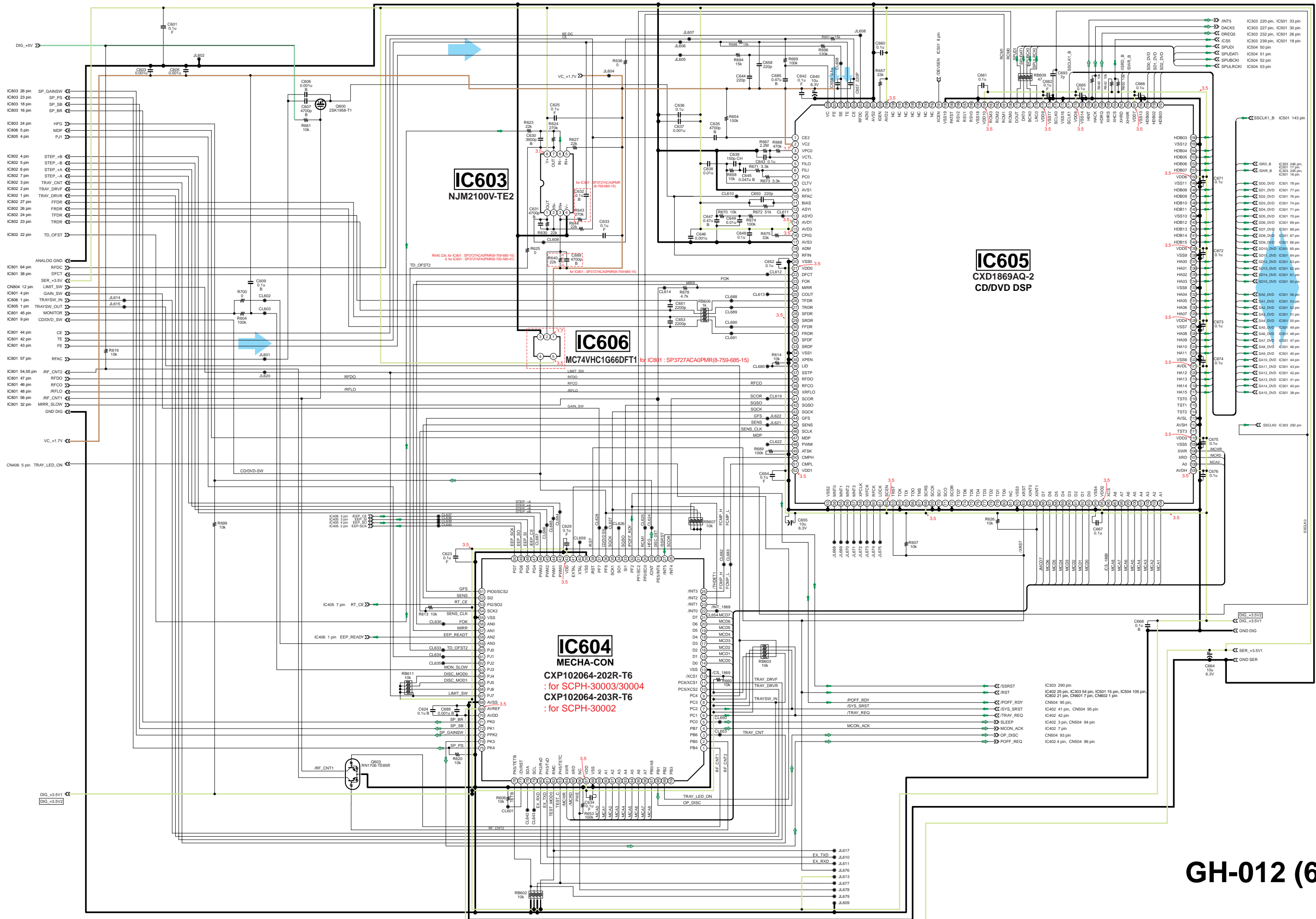
**GH-012 (3/7)**



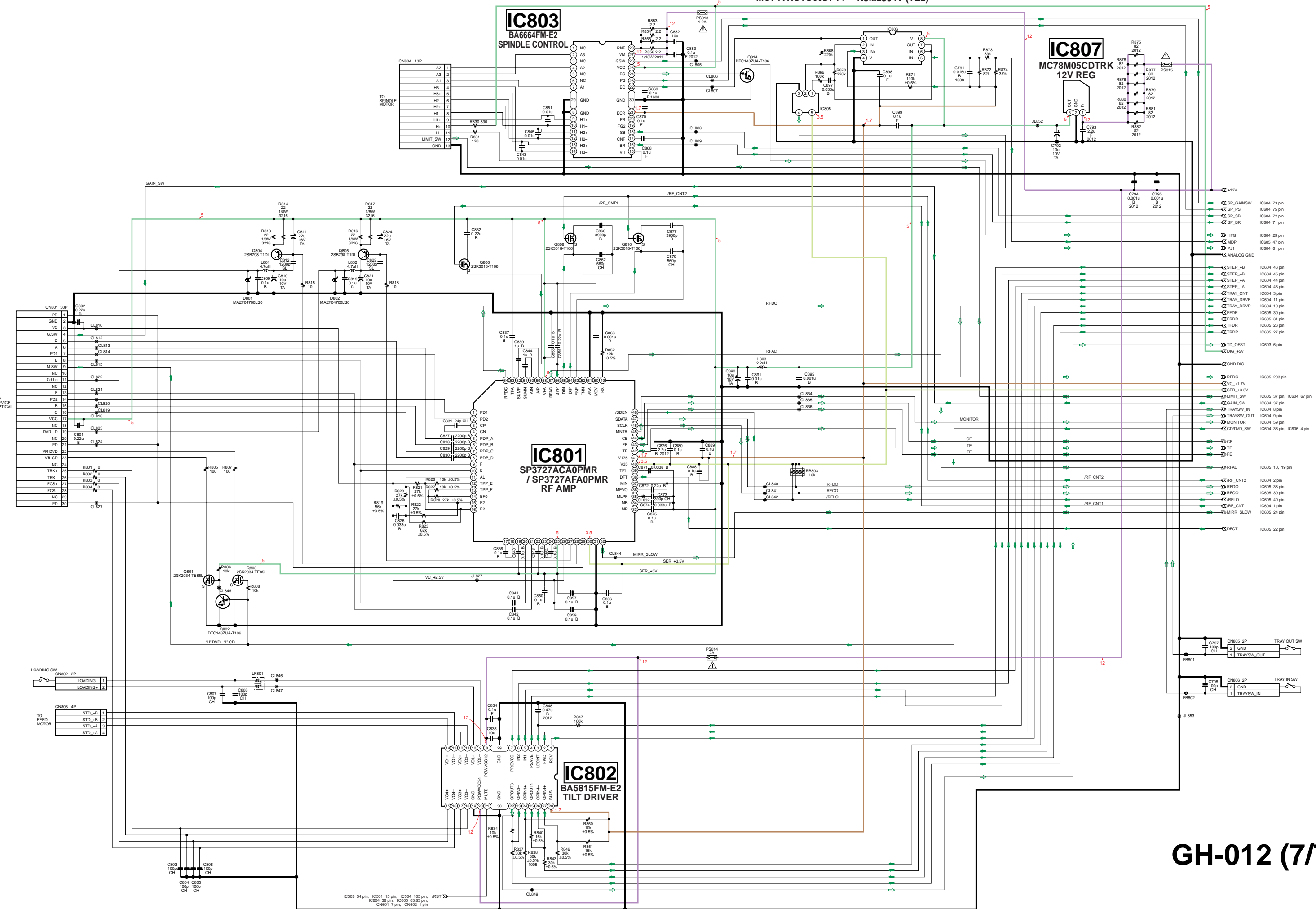


GH-012 (5/7)

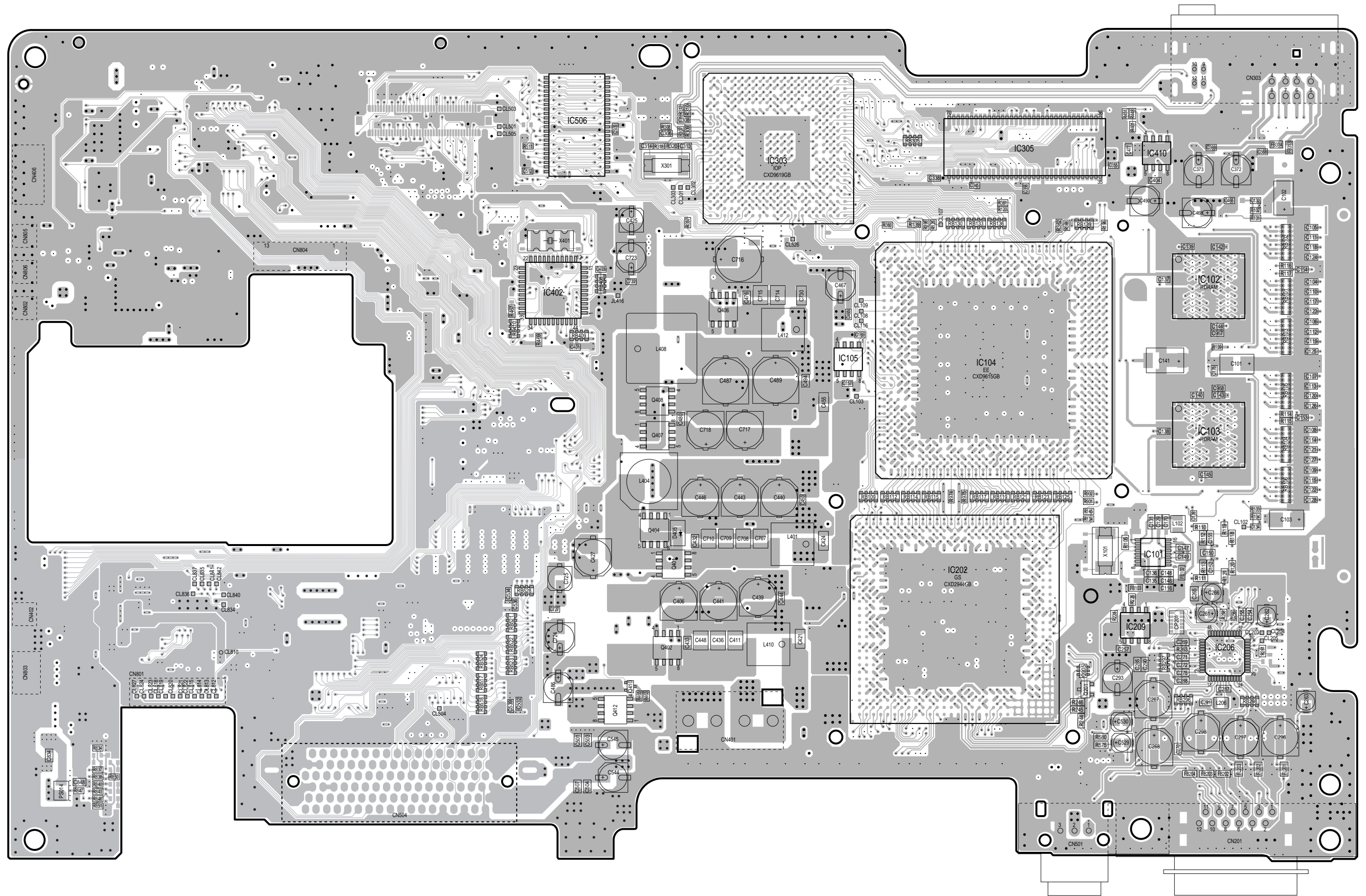




GH-012 (6/7)



GH-012 (7/7)

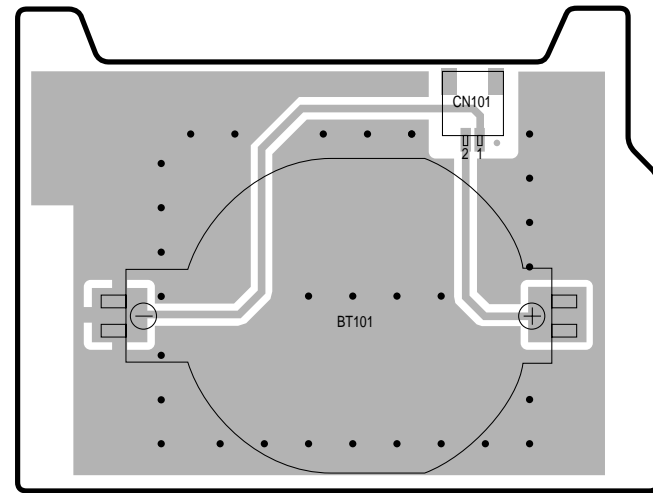


**GH-012**

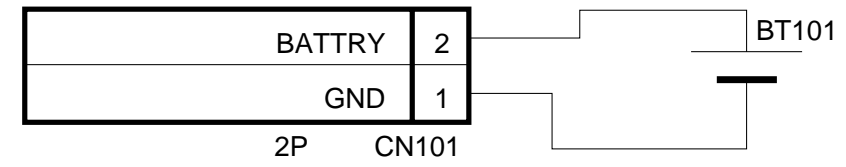
A side



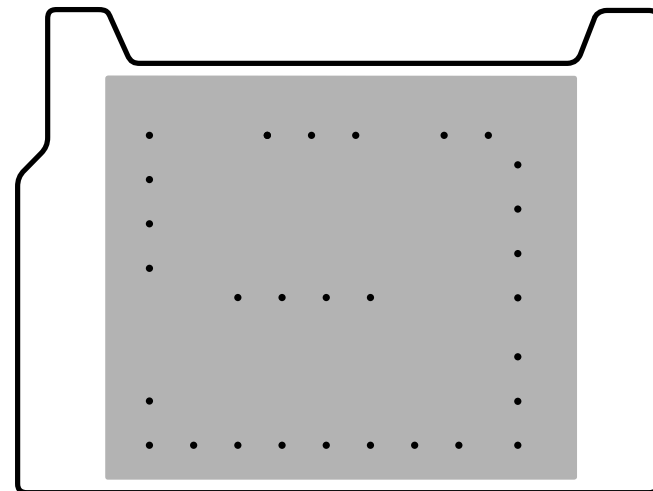




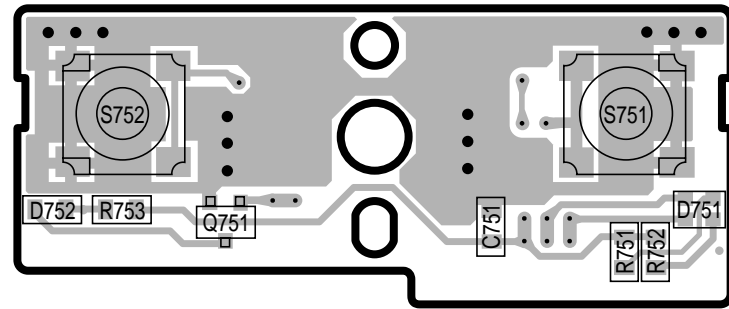
**GB-004**  
A side



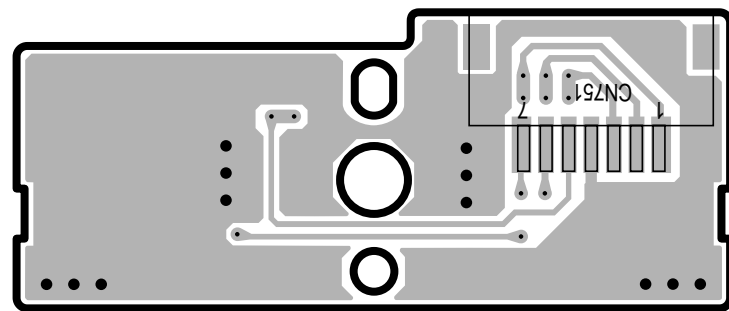
**GB-004**  
A side



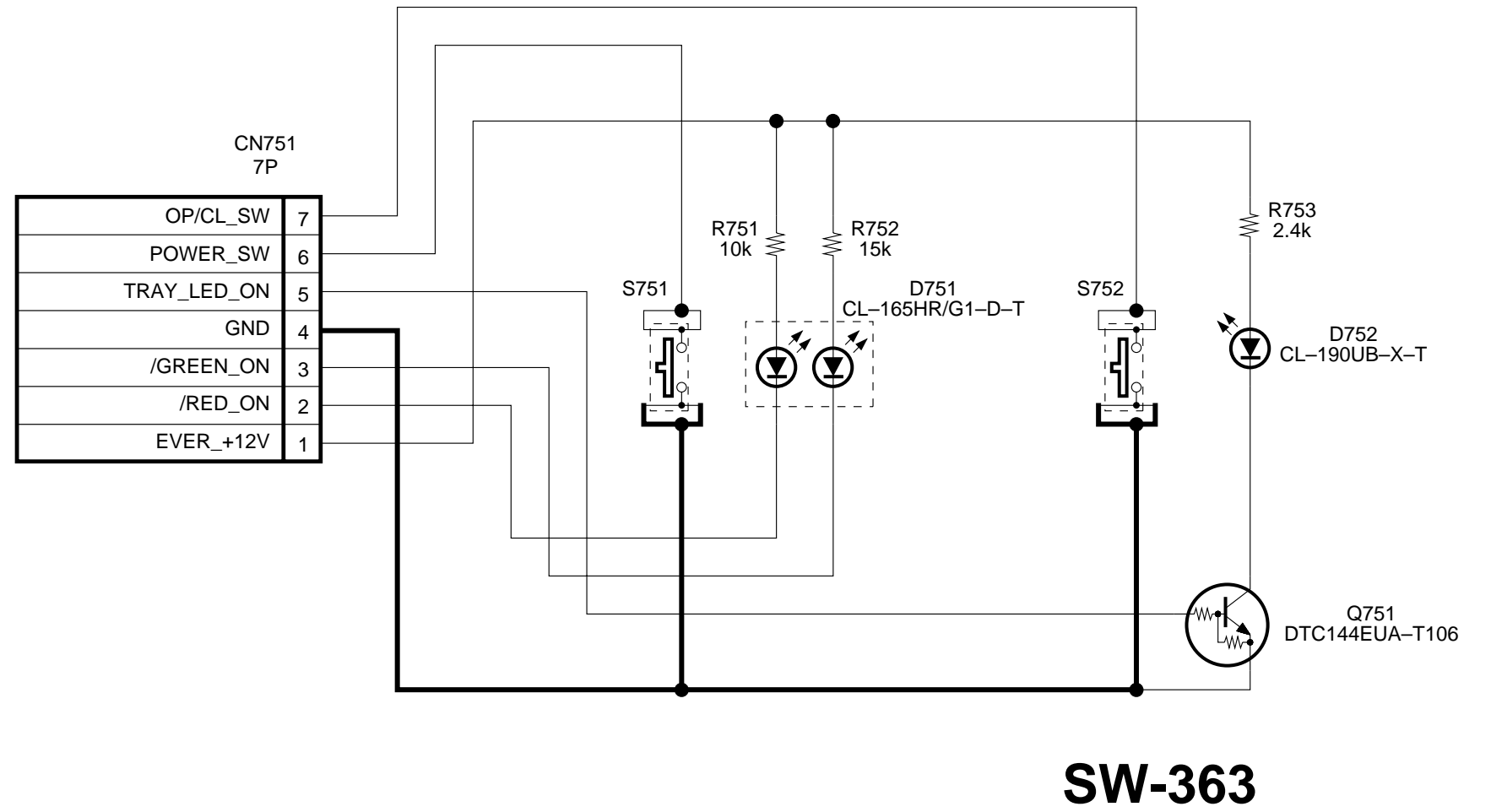
**GB-004**  
B side



**SW-363**  
A side



**SW-363**  
B side



**SW-363**



# SECTION 7 ELECTRICAL PARTS LIST for SCPH-30003D'/30004D' GH012 MOUNT

**NOTE :**

- Due to standardization, replacements in the parts list may be different from the parts specified in the diagrams or the components used on the set.
- -XX and -X mean standardized parts, so they may have some difference from the original one.
- RESISTORS  
METAL : Metal-film resistor.  
F : nonflammable  
Unit is Ω.

- SEMICONDUCTORS  
In each case, u : μ, for example :  
uA . . : μA . . uPA . . : μPA . .  
uPB . . : μPB . . uPC . . : μPC . . uPD . . : μPD . .
- CAPACITORS  
uF : μF
- COILS  
uH : μH

The components identified by mark  $\Delta$  or dotted line with mark.  $\Delta$  are critical for safety. Replace only with part number specified.

When indicating parts by reference number, please include the board.

Ref.	Part No.	Description
A-6712-985-A	GH-012 MOUNT (32M R)	
	for SCPH-30003D' & 30004D' GH-012-32MR	
A-6712-986-A	GH-012 MOUNT (64M R)	
	for SCPH-30003D' & 30004D' GH-012-64MR	
*****		

**Dissimilarity Parts**

Ref.	Part No.	Description
for SCPH-30003D' & 30004D' GH-012-32MR		
*****		
C505	1-113-619-91	CAP, CERAMIC 470000PF F (1608)
C512	1-113-619-91	CAP, CERAMIC 470000PF F (1608)
IC503	6-800-197-01	IC MR27V3202F-A7TPZ
IC504	8-752-408-53	IC CXD2942AR
IC506	6-800-198-01	IC MR27V1602E-74TPZ
R510	1-216-864-91	CONDUCTOR, CHIP (1608)
R511	1-216-864-91	CONDUCTOR, CHIP (1608)
for SCPH-30003D' & 30004D' GH-012-64MR		
*****		
C526	1-164-156-91	CAP, CHIP CERAMIC 0.1MF F (1608)
C543	1-113-619-91	CAP, CERAMIC 470000PF F (1608)
IC504	8-752-410-55	IC CXD2942BR
IC505	6-800-196-01	IC TC5364200FT-PA06
IC518	8-759-680-49	IC TC7WB125FK(TE85R)
R527	1-216-821-91	RES, CHIP 1.0K (1608)
for IC801 : SP3727ACA0PMR(8-7529-685-15)		
*****		
C632	1-107-826-91	CAP, CHIP CERAMIC 100000PF
C689	1-162-968-91	CAP, CHIP CERAMIC 100000PF
IC606	8-759-712-38	IC HD74HC1G66CME
IC606	8-759-712-63	IC MC74VHC1G66DFT1
IC801	8-7529-685-15	IC SP3727ACA0PMR
R640	1-216-837-91	RES, CHIP 22K (1608)
R643	1-216-850-91	RES, CHIP 270K (1608)
for IC801:SP3727AFA0PMR(6-700-585-01)		
*****		
IC801	6-700-585-01	IC SP3727AFA0PMR
R640	1-216-864-91	CONDUCTOR, CHIP(1608)

**Common Parts**

Ref.	Part No.	Description
<CAPACITOR>		
C101	1-128-964-91	CAP, CHIP TANTALUM ELECT 100MF
C102	1-128-964-91	CAP, CHIP TANTALUM ELECT 100MF
C103	1-128-964-91	CAP, CHIP TANTALUM ELECT 100MF
C104	1-107-826-91	CAP, CHIP CERAMIC 100000PF B
C105	1-107-826-91	CAP, CHIP CERAMIC 100000PF B

Ref.	Part No.	Description
C106	1-107-826-91	CAP, CHIP CERAMIC 100000PF B
C107	1-107-826-91	CAP, CHIP CERAMIC 100000PF B
C108	1-107-826-91	CAP, CHIP CERAMIC 100000PF B
C109	1-107-826-91	CAP, CHIP CERAMIC 100000PF B
C110	1-107-826-91	CAP, CHIP CERAMIC 100000PF B
C111	1-107-826-91	CAP, CHIP CERAMIC 100000PF B
C112	1-107-826-91	CAP, CHIP CERAMIC 100000PF B
C113	1-107-826-91	CAP, CHIP CERAMIC 100000PF B
C114	1-107-826-91	CAP, CHIP CERAMIC 100000PF B
C115	1-107-826-91	CAP, CHIP CERAMIC 100000PF B
C116	1-107-826-91	CAP, CHIP CERAMIC 100000PF B
C117	1-107-826-91	CAP, CHIP CERAMIC 100000PF B
C118	1-107-826-91	CAP, CHIP CERAMIC 100000PF B
C119	1-107-826-91	CAP, CHIP CERAMIC 100000PF B
C120	1-107-826-91	CAP, CHIP CERAMIC 100000PF B
C121	1-107-826-91	CAP, CHIP CERAMIC 100000PF B
C122	1-107-826-91	CAP, CHIP CERAMIC 100000PF B
C123	1-107-826-91	CAP, CHIP CERAMIC 100000PF B
C124	1-107-826-91	CAP, CHIP CERAMIC 100000PF B
C125	1-107-826-91	CAP, CHIP CERAMIC 100000PF B
C126	1-107-826-91	CAP, CHIP CERAMIC 100000PF B
C127	1-107-826-91	CAP, CHIP CERAMIC 100000PF B
C128	1-107-826-91	CAP, CHIP CERAMIC 100000PF B
C129	1-107-826-91	CAP, CHIP CERAMIC 100000PF B
C131	1-162-970-91	CAP, CERAMIC 10000PF B (1608)
C132	1-125-777-81	CAP, CHIP CERAMIC 0.1MF B (1005)
C134	1-125-777-81	CAP, CHIP CERAMIC 0.1MF B (1005)
C135	1-107-826-91	CAP, CHIP CERAMIC 100000PF B
C136	1-162-964-91	CAP, CHIP CERAMIC 1000PF B (1608)
C137	1-107-826-91	CAP, CHIP CERAMIC 100000PF B
C138	1-107-826-91	CAP, CHIP CERAMIC 100000PF B
C139	1-107-826-91	CAP, CHIP CERAMIC 100000PF B
C140	1-107-826-91	CAP, CHIP CERAMIC 100000PF B
C141	1-135-609-91	CAP, CHIP TANTALUM ELECT 220MF
C142	1-107-826-91	CAP, CHIP CERAMIC 100000PF B
C143	1-107-826-91	CAP, CHIP CERAMIC 100000PF B
C144	1-107-826-91	CAP, CHIP CERAMIC 100000PF B
C145	1-107-826-91	CAP, CHIP CERAMIC 100000PF B
C146	1-162-964-91	CAP, CHIP CERAMIC 1000PF B (1608)
C147	1-162-964-91	CAP, CHIP CERAMIC 1000PF B (1608)
C148	1-107-826-91	CAP, CHIP CERAMIC 100000PF B
C149	1-107-826-91	CAP, CHIP CERAMIC 100000PF B
C150	1-162-970-91	CAP, CERAMIC 10000PF B (1608)
C151	1-164-160-91	CAP, CERAMIC 20PF CH (1608)
C152	1-164-160-91	CAP, CERAMIC 20PF CH (1608)
C153	1-162-970-91	CAP, CERAMIC 10000PF B (1608)
C154	1-162-970-91	CAP, CERAMIC 10000PF B (1608)
C155	1-107-826-91	CAP, CHIP CERAMIC 100000PF B
C156	1-107-826-91	CAP, CHIP CERAMIC 100000PF B
C157	1-125-777-81	CAP, CHIP CERAMIC 0.1MF B (1005)
C158	1-162-970-91	CAP, CERAMIC 10000PF B (1608)

Ref.	Part No.	Description
C159	1-107-826-91	CAP, CHIP CERAMIC 100000PF B
C160	1-162-925-91	CAP, CERAMIC 68PF CH (1608)
C161	1-128-964-91	CAP, CHIP TANTALUM ELECT 100MF
C162	1-162-925-91	CAP, CERAMIC 68PF CH (1608)
C163	1-128-964-91	CAP, CHIP TANTALUM ELECT 100MF
C164	1-128-964-91	CAP, CHIP TANTALUM ELECT 100MF
C168	1-162-964-91	CAP, CHIP CERAMIC 1000PF B (1608)
C169	1-164-874-81	CAP, CHIP CERAMIC 100PF CH (1005)
C170	1-125-837-91	CAP, CHIP CERAMIC 1MF B (1608)
C175	1-125-777-81	CAP, CHIP CERAMIC 0.1MF B (1005)
C176	1-125-777-81	CAP, CHIP CERAMIC 0.1MF B (1005)
C201	1-107-826-91	CAP, CHIP CERAMIC 100000PF B
C203	1-107-826-91	CAP, CHIP CERAMIC 100000PF B
C204	1-162-970-91	CAP, CERAMIC 10000PF B (1608)
C205	1-107-826-91	CAP, CHIP CERAMIC 100000PF B
C206	1-162-964-91	CAP, CHIP CERAMIC 1000PF B (1608)
C208	1-162-964-91	CAP, CHIP CERAMIC 1000PF B (1608)
C209	1-107-826-91	CAP, CHIP CERAMIC 100000PF B
C210	1-162-964-91	CAP, CHIP CERAMIC 1000PF B (1608)
C211	1-107-826-91	CAP, CHIP CERAMIC 100000PF B
C212	1-107-826-91	CAP, CHIP CERAMIC 100000PF B
C213	1-107-826-91	CAP, CHIP CERAMIC 100000PF B
C214	1-107-826-91	CAP, CHIP CERAMIC 100000PF B
C215	1-107-826-91	CAP, CHIP CERAMIC 100000PF B
C216	1-107-826-91	CAP, CHIP CERAMIC 100000PF B
C217	1-107-826-91	CAP, CHIP CERAMIC 100000PF B
C218	1-107-826-91	CAP, CHIP CERAMIC 100000PF B
C219	1-107-826-91	CAP, CHIP CERAMIC 100000PF B
C220	1-107-826-91	CAP, CHIP CERAMIC 100000PF B
C221	1-107-826-91	CAP, CHIP CERAMIC 100000PF B
C222	1-125-837-91	CAP, CHIP CERAMIC 1MF B (1608)
C223	1-125-837-91	CAP, CHIP CERAMIC 1MF B (1608)
C224	1-125-837-91	CAP, CHIP CERAMIC 1MF B (1608)
C225	1-125-837-91	CAP, CHIP CERAMIC 1MF B (1608)
C226	1-107-826-91	CAP, CHIP CERAMIC 100000PF B
C227	1-107-826-91	CAP, CHIP CERAMIC 100000PF B
C228	1-125-837-91	CAP, CHIP CERAMIC 1MF B (1608)
C229	1-125-837-91	CAP, CHIP CERAMIC 1MF B (1608)
C230	1-125-837-91	CAP, CHIP CERAMIC 1MF B (1608)
C231	1-107-826-91	CAP, CHIP CERAMIC 100000PF B
C232	1-107-826-91	CAP, CHIP CERAMIC 100000PF B
C233	1-125-837-91	CAP, CHIP CERAMIC 1MF B (1608)
C234	1-125-837-91	CAP, CHIP CERAMIC 1MF B (1608)
C235	1-125-837-91	CAP, CHIP CERAMIC 1MF B (1608)
C236	1-107-826-91	CAP, CHIP CERAMIC 100000PF B
C237	1-107-826-91	CAP, CHIP CERAMIC 100000PF B
C238	1-125-837-91	CAP, CHIP CERAMIC 1MF B (1608)
C239	1-107-826-91	CAP, CHIP CERAMIC 100000PF B
C240	1-125-837-91	CAP, CHIP CERAMIC 1MF B (1608)
C241	1-125-837-91	CAP, CHIP CERAMIC 1MF B (1608)
C242	1-128-707-22	CAP, TANTALUM ELECT (SMD)220
C243	1-128-707-22	CAP, TANTALUM ELECT (SMD)220
C244	1-135-609-91	CAP, CHIP TANTALUM ELECT 220MF
C245	1-128-707-22	CAP, TANTALUM ELECT (SMD)220
C246	1-135-609-91	CAP, CHIP TANTALUM ELECT 220MF
C247	1-107-826-91	CAP, CHIP CERAMIC 100000PF B
C248	1-107-826-91	CAP, CHIP CERAMIC 100000PF B
C249	1-115-156-91	CAP, CERAMIC 1000000PF F (1608)
C250	1-127-760-91	CAP, CERAMIC 4.7MF (2012)
C252	1-107-826-91	CAP, CHIP CERAMIC 100000PF B
C254	1-107-826-91	CAP, CHIP CERAMIC 100000PF B
C255	1-107-826-91	CAP, CHIP CERAMIC 100000PF B
C256	1-125-777-81	CAP, CHIP CERAMIC 0.1MF B (1005)
C257	1-125-837-91	CAP, CHIP CERAMIC 1MF B (1608)
C261	1-128-004-21	CAP, ELECT (CHIP) 10MF
C262	1-128-004-21	CAP, ELECT (CHIP) 10MF

Ref.	Part No.	Description
C263	1-128-004-21	CAP, ELECT (CHIP) 10MF
C265	1-117-720-91	CAP, CERAMIC 4.7MF F (2012)
C266	1-128-004-21	CAP, ELECT (CHIP) 10MF
C267	1-126-210-21	CAP, ELECT 220MF
C268	1-126-210-21	CAP, ELECT 220MF
C269	1-164-160-91	CAP, CERAMIC 20PF CH (1608)
C270	1-125-777-81	CAP, CHIP CERAMIC 0.1MF B (1005)
C271	1-107-826-91	CAP, CHIP CERAMIC 100000PF B
C272	1-107-826-91	CAP, CHIP CERAMIC 100000PF B
C275	1-107-826-91	CAP, CHIP CERAMIC 100000PF B
C276	1-162-965-91	CAP, CERAMIC 1500PF B (1608)
C277	1-162-965-91	CAP, CERAMIC 1500PF B (1608)
C278	1-113-619-91	CAP, CERAMIC 470000PF F (1608)
C279	1-113-619-91	CAP, CERAMIC 470000PF F (1608)
C282	1-113-619-91	CAP, CERAMIC 470000PF F (1608)
C285	1-113-619-91	CAP, CERAMIC 470000PF F (1608)
C286	1-113-619-91	CAP, CERAMIC 470000PF F (1608)
C287	1-107-826-91	CAP, CHIP CERAMIC 100000PF B
C288	1-125-837-91	CAP, CHIP CERAMIC 1MF B (1608)
C289	1-162-964-91	CAP, CHIP CERAMIC 1000PF B (1608)
C290	1-113-619-91	CAP, CERAMIC 470000PF F (1608)
C291	1-164-866-81	CAP, CHIP CERAMIC 47PF CH (1005)
C292	1-107-725-91	CAP, CERAMIC 100000PF B (2012)
C293	1-137-765-21	CAP, ELECT 47MF
C296	1-126-210-21	CAP, ELECT 220MF
C297	1-126-210-21	CAP, ELECT 220MF
C298	1-126-210-21	CAP, ELECT 220MF
C301	1-107-826-91	CAP, CHIP CERAMIC 100000PF B
C302	1-107-826-91	CAP, CHIP CERAMIC 100000PF B
C303	1-107-826-91	CAP, CHIP CERAMIC 100000PF B
C304	1-162-964-91	CAP, CHIP CERAMIC 1000PF B (1608)
C305	1-107-826-91	CAP, CHIP CERAMIC 100000PF B
C306	1-164-387-91	CAP, CERAMIC 240PF CH (1608)
C307	1-107-826-91	CAP, CHIP CERAMIC 100000PF B
C308	1-165-112-91	CAP, CERAMIC 330000PF F (1608)
C309	1-162-970-91	CAP, CERAMIC 1000PF B (1608)
C310	1-162-970-91	CAP, CERAMIC 1000PF B (1608)
C311	1-162-916-91	CAP, CERAMIC 12PF CH (1608)
C312	1-162-917-91	CAP, CERAMIC 15PF CH (1608)
C313	1-162-910-91	CAP, CERAMIC 5.0PF CH (1608)
C314	1-162-910-91	CAP, CERAMIC 5.0PF CH (1608)
C315	1-107-826-91	CAP, CHIP CERAMIC 100000PF B
C316	1-165-112-91	CAP, CERAMIC 330000PF F (1608)
C317	1-162-970-91	CAP, CERAMIC 1000PF B (1608)
C318	1-162-970-91	CAP, CERAMIC 1000PF B (1608)
C319	1-162-970-91	CAP, CERAMIC 1000PF B (1608)
C320	1-162-970-91	CAP, CERAMIC 1000PF B (1608)
C321	1-162-970-91	CAP, CERAMIC 1000PF B (1608)
C322	1-162-970-91	CAP, CERAMIC 1000PF B (1608)
C323	1-1	

Ref.	Part No.	Description	Ref.	Part No.	Description	Ref.	Part No.	Description	Ref.	Part No.	Description
C340	1-125-764-61	CAP, CHIP CERAMIC 100PF CH	C456	1-127-760-91	CAP, CERAMIC 4.7MF (2012)	C541	1-113-619-91	CAP, CERAMIC 470000PF F (1608)	C709	1-127-692-91	CAP, CHIP CERAMIC 10MF B (3225)
C341	1-125-764-61	CAP, CHIP CERAMIC 100PF CH	C457	1-127-760-91	CAP, CERAMIC 4.7MF (2012)	C542	1-162-927-91	CAP, CERAMIC 100PF CH (1608)	C710	1-127-692-91	CAP, CHIP CERAMIC 10MF B (3225)
C342	1-107-826-91	CAP, CHIP CERAMIC 100000PF B	C458	1-162-964-91	CAP, CHIP CERAMIC 1000PF B (1608)	C544	1-137-765-21	CAP, ELECT 47MF (1608)	C712	1-162-970-91	CAP, CERAMIC 10000PF B (1608)
C343	1-107-826-91	CAP, CHIP CERAMIC 100000PF B	C460	1-164-174-91	CAP, CERAMIC 8200PF B (1608)	C545	1-137-765-21	CAP, ELECT 47MF (1608)	C714	1-127-692-91	CAP, CHIP CERAMIC 10MF B (3225)
C344	1-107-826-91	CAP, CHIP CERAMIC 100000PF B	C461	1-164-174-91	CAP, CERAMIC 8200PF B (1608)	C601	1-164-156-91	CAP, CHIP CERAMIC 0.1MF F (1608)	C715	1-127-692-91	CAP, CHIP CERAMIC 10MF B (3225)
C345	1-125-777-81	CAP, CHIP CERAMIC 0.1MF B (1005)	C462	1-163-009-91	CAP, CHIP CERAMIC 1000PF B (2012)	C603	1-162-964-91	CAP, CHIP CERAMIC 1000PF B (1608)	C716	1-131-999-21	CAP, SOLID ELECT 150MF
C355	1-125-777-81	CAP, CHIP CERAMIC 0.1MF B (1005)	C465	1-125-777-81	CAP, CHIP CERAMIC 0.1MF B (1005)	C605	1-162-964-91	CAP, CHIP CERAMIC 1000PF B (1608)	C717	1-135-346-21	CAP, SOLID ELECT 39MF
C356	1-125-777-81	CAP, CHIP CERAMIC 0.1MF B (1005)	C466	1-125-777-81	CAP, CHIP CERAMIC 0.1MF B (1005)	C606	1-162-964-91	CAP, CHIP CERAMIC 1000PF B (1608)	C718	1-135-346-21	CAP, SOLID ELECT 39MF
C363	1-107-826-91	CAP, CHIP CERAMIC 100000PF B	C467	1-126-209-21	CAP, ELECT 100MF	C607	1-162-968-91	CAP, CHIP CERAMIC 4700PF B (1608)	C722	1-164-937-81	CAP, CHIP CERAMIC 1000PF B (1005)
C364	1-107-826-91	CAP, CHIP CERAMIC 100000PF B	C468	1-126-209-21	CAP, ELECT 100MF	C609	1-107-826-91	CAP, CHIP CERAMIC 100000PF B	C723	1-137-766-21	CAP, ELECT 68MF
C365	1-107-826-91	CAP, CHIP CERAMIC 100000PF B	C469	1-162-977-91	CAP, CERAMIC 1800PF B (1608)	C623	1-164-156-91	CAP, CHIP CERAMIC 0.1MF F (1608)	C724	1-137-765-21	CAP, ELECT 47MF
C366	1-107-826-91	CAP, CHIP CERAMIC 100000PF B	C470	1-107-826-91	CAP, CHIP CERAMIC 100000PF B	C624	1-107-826-91	CAP, CHIP CERAMIC 100000PF B	C725	1-124-779-21	CAP, ELECT 10MF
C367	1-107-826-91	CAP, CHIP CERAMIC 100000PF B	C471	1-164-379-91	CAP, CERAMIC 43PF CH (1608)	C625	1-164-156-91	CAP, CHIP CERAMIC 0.1MF F (1608)	C726	1-162-964-91	CAP, CHIP CERAMIC 1000PF B (1608)
C368	1-125-777-81	CAP, CHIP CERAMIC 0.1MF B (1005)	C472	1-107-826-91	CAP, CHIP CERAMIC 100000PF B	C629	1-164-156-91	CAP, CHIP CERAMIC 0.1MF F (1608)	C727	1-164-937-81	CAP, CHIP CERAMIC 1000PF B (1005)
C369	1-125-777-81	CAP, CHIP CERAMIC 0.1MF B (1005)	C473	1-162-970-91	CAP, CERAMIC 10000PF B (1608)	C630	1-164-173-91	CAP, CERAMIC 3900PF B (1608)	C730	1-127-820-91	CAP, SQUARE TYPE CHIP 4.7MF
C370	1-162-964-91	CAP, CHIP CERAMIC 1000PF B (1608)	C474	1-107-826-91	CAP, CHIP CERAMIC 100000PF B	C631	1-162-968-91	CAP, CHIP CERAMIC 4700PF B (1608)	C791	1-164-245-91	CAP, CERAMIC 15000PF B (1608)
C371	1-162-964-91	CAP, CHIP CERAMIC 1000PF B (1608)	C475	1-164-730-91	CAP, CERAMIC 1200PF B (1608)	C633	1-164-156-91	CAP, CHIP CERAMIC 0.1MF F (1608)	C792	1-104-851-91	CAP, CHIP TANTALUM ELECT 10MF
C372	1-165-492-21	CAP, ELECT 100MF	C476	1-115-339-91	CAP, CERAMIC 0.1MF B (2012)	C634	1-164-156-91	CAP, CHIP CERAMIC 0.1MF F (1608)	C793	1-164-505-91	CAP, CHIP CERAMIC 2.2MF F (2012)
C373	1-165-492-21	CAP, ELECT 100MF	C477	1-127-760-91	CAP, CERAMIC 4.7MF (2012)	C635	1-162-968-91	CAP, CHIP CERAMIC 4700PF B (1608)	C794	1-163-009-91	CAP, CHIP CERAMIC 1000PF B (2012)
C401	1-125-777-81	CAP, CHIP CERAMIC 0.1MF B (1005)	C479	1-125-837-91	CAP, CHIP CERAMIC 1MF B (1608)	C636	1-107-826-91	CAP, CHIP CERAMIC 100000PF B	C795	1-163-009-91	CAP, CHIP CERAMIC 1000PF B (2012)
C402	1-164-505-91	CAP, CHIP CERAMIC 2.2MF F (2012)	C480	1-115-339-91	CAP, CERAMIC 0.1MF B (2012)	C637	1-162-964-91	CAP, CHIP CERAMIC 1000PF B (1608)	C797	1-162-927-91	CAP, CERAMIC 100PF CH (1608)
C403	1-164-937-81	CAP, CHIP CERAMIC 1000PF B (1005)	C482	1-107-826-91	CAP, CHIP CERAMIC 100000PF B	C638	1-107-726-91	CAP, CHIP CERAMIC 10000PF B (1608)	C798	1-162-927-91	CAP, CERAMIC 100PF CH (1608)
C404	1-125-837-91	CAP, CHIP CERAMIC 1MF B (1608)	C483	1-107-826-91	CAP, CHIP CERAMIC 100000PF B	C639	1-164-217-91	CAP, CERAMIC 150PF CH (1608)	C801	1-115-467-91	CAP, CHIP CERAMIC 0.22MF B (1608)
C405	1-107-826-91	CAP, CHIP CERAMIC 100000PF B	C485	1-107-826-91	CAP, CHIP CERAMIC 100000PF B	C640	1-135-259-91	CAP, CHIP TANTALUM ELECT 10MF	C802	1-115-467-91	CAP, CHIP CERAMIC 0.22MF B (1608)
C406	1-135-593-21	CAP, ELECT 150MF	C486	1-137-765-21	CAP, ELECT 47MF	C642	1-164-156-91	CAP, CHIP CERAMIC 0.1MF F (1608)	C803	1-162-927-91	CAP, CERAMIC 100PF CH (1608)
C407	1-107-826-91	CAP, CHIP CERAMIC 100000PF B	C487	1-131-999-21	CAP, SOLID ELECT 150MF	C643	1-107-826-91	CAP, CHIP CERAMIC 100000PF B	C804	1-162-927-91	CAP, CERAMIC 100PF CH (1608)
C408	1-107-826-91	CAP, CHIP CERAMIC 100000PF B	C488	1-115-566-91	CAP, CERAMIC 4.7MF B	C644	1-164-230-91	CAP, CERAMIC 220PF CH (1608)	C805	1-162-927-91	CAP, CERAMIC 100PF CH (1608)
C409	1-162-969-91	CAP, CERAMIC 6800PF B (1608)	C489	1-131-999-21	CAP, SOLID ELECT 150MF	C645	1-165-176-91	CAP, CERAMIC 47000PF B (1608)	C806	1-162-927-91	CAP, CERAMIC 100PF CH (1608)
C411	1-127-692-91	CAP, CHIP CERAMIC 10MF B (3225)	C490	1-126-209-21	CAP, ELECT 100MF	C646	1-162-964-91	CAP, CHIP CERAMIC 1000PF B (1608)	C807	1-162-927-91	CAP, CERAMIC 100PF CH (1608)
C414	1-162-965-91	CAP, CERAMIC 1500PF B (1608)	C492	1-107-826-91	CAP, CHIP CERAMIC 100000PF B	C647	1-117-863-91	CAP, CHIP CERAMIC 0.47MF B (1608)	C808	1-162-927-91	CAP, CERAMIC 100PF CH (1608)
C415	1-165-176-91	CAP, CERAMIC 47000PF B (1608)	C493	1-107-826-91	CAP, CHIP CERAMIC 100000PF B	C648	1-164-360-91	CAP, CERAMIC 0.1MF F (1608)	C809	1-107-826-91	CAP, CHIP CERAMIC 100000PF B
C416	1-107-826-91	CAP, CHIP CERAMIC 100000PF B	C494	1-107-725-91	CAP, CERAMIC 100000PF B (2012)	C649	1-107-726-91	CAP, CHIP CERAMIC 10000PF B (1608)	C810	1-104-851-91	CAP, CHIP TANTALUM ELECT 10MF
C417	1-164-379-91	CAP, CERAMIC 43PF CH (1608)	C495	1-125-837-91	CAP, CHIP CERAMIC 1MF B (1608)	C650	1-164-230-91	CAP, CERAMIC 220PF CH (1608)	C811	1-135-900-21	CAP, TANTALUM ELECT 22MF
C418	1-107-826-91	CAP, CHIP CERAMIC 100000PF B	C496	1-107-682-91	CAP, CERAMIC 1000000PF B (3216)	C651	1-162-966-91	CAP, CERAMIC 2200PF B (1608)	C812	1-164-730-91	CAP, CERAMIC 1200PF B (1608)
C419	1-162-970-91	CAP, CERAMIC 10000PF B (1608)	C498	1-127-760-91	CAP, CERAMIC 4.7MF (2012)	C652	1-107-826-91	CAP, CHIP CERAMIC 100000PF B	C819	1-107-826-91	CAP, CHIP CERAMIC 100000PF B
C420	1-107-826-91	CAP, CHIP CERAMIC 100000PF B	C499	1-164-505-91	CAP, CHIP CERAMIC 2.2MF F (2012)	C653	1-162-966-91	CAP, CERAMIC 2200PF B (1608)	C821	1-104-851-91	CAP, CHIP TANTALUM ELECT 10MF
C421	1-127-820-91	CAP, SQUARE TYPE CHIP 4.7MF	C501	1-164-346-91	CAP, CHIP CERAMIC 1MF F (2012)	C654	1-164-156-91	CAP, CHIP CERAMIC 0.1MF F (1608)	C824	1-135-900-21	CAP, TANTALUM ELECT 22MF
C422	1-107-826-91	CAP, CHIP CERAMIC 100000PF B	C502	1-113-619-91	CAP, CERAMIC 470000PF F (1608)	C655	1-135-259-91	CAP, CHIP TANTALUM ELECT 10MF	C825	1-164-730-91	CAP, CERAMIC 1200PF B (1608)
C423	1-107-826-91	CAP, CHIP CERAMIC 100000PF B	C503	1-163-009-91	CAP, CHIP CERAMIC 1000PF B (2012)	C656	1-164-360-91	CAP, CERAMIC 0.1MF F (1608)	C826	1-164-677-91	CAP, CERAMIC 33000PF B (1608)
C424	1-127-820-91	CAP, SQUARE TYPE CHIP 4.7MF	C504	1-164-346-91	CAP, CHIP CERAMIC 1MF F (2012)	C657	1-164-230-91	CAP, CERAMIC 220PF CH (1608)	C827	1-162-966-91	CAP, CERAMIC 2200PF B (1608)
C425	1-124-779-21	CAP, ELECT 10MF	C507	1-163-009-91	CAP, CHIP CERAMIC 1000PF B (2012)	C658	1-164-230-91	CAP, CERAMIC 220PF CH (1608)	C828	1-162-966-91	CAP, CERAMIC 2200PF B (1608)
C426	1-107-826-91	CAP, CHIP CERAMIC 100000PF B	C508	1-113-619-91	CAP, CERAMIC 470000PF F (1608)	C660	1-107-826-91	CAP, CHIP CERAMIC 100000PF B	C829	1-162-966-91	CAP, CERAMIC 2200PF B (1608)
C427	1-117-681-21	CAP, ELECT 100MF	C509	1-113-619-91	CAP, CERAMIC 470000PF F (1608)	C661	1-164-360-91	CAP, CERAMIC 0.1MF F (1608)	C830	1-162-966-91	CAP, CERAMIC 2200PF B (1608)
C430	1-107-826-91	CAP, CHIP CERAMIC 100000PF B	C510	1-113-619-91	CAP, CERAMIC 470000PF F (1608)	C662	1-164-156-91	CAP, CHIP CERAMIC 0.1MF F (1608)	C831	1-162-975-91	CAP, CERAMIC 24PF CH (1608)
C431	1-107-826-91	CAP, CHIP CERAMIC 100000PF B	C513	1-113-619-91	CAP, CERAMIC 470000PF F (1608)	C664	1-135-259-91	CAP, CHIP TANTALUM ELECT 10MF	C832	1-115-467-91	CAP, CHIP CERAMIC 0.22MF B (1608)
C432	1-115-339-91	CAP, CERAMIC 0.1MF B (2012)	C514	1-113-619-91	CAP, CERAMIC 470000PF F (1608)	C665	1-164-360-91	CAP, CERAMIC 0.1MF F (1608)	C834	1-163-038-91	CAP, CERAMIC 100000PF B (2012)
C433	1-115-339-91	CAP, CERAMIC 0.1MF B (2012)	C516	1-113-619-91	CAP, CERAMIC 470000PF F (1608)	C666	1-164-360-91	CAP, CERAMIC 0.1MF F (1608)	C835	1-127-692-91	CAP, CHIP CERAMIC 10MF B (3225)
C434	1-162-964-91	CAP, CHIP CERAMIC 1000PF B (1608)	C517	1-113-619-91	CAP, CERAMIC 470000PF F (1608)	C667	1-164-360-91	CAP, CERAMIC 0.1MF F (1608)	C836	1-107-826-91	CAP, CHIP CERAMIC 100000PF B
C435	1-115-566-91	CAP, CERAMIC 4.7MF B	C518	1-113-619-91	CAP, CERAMIC 470000PF F (1608)	C668	1-107-826-91	CAP, CHIP CERAMIC 100000PF B	C837	1-107-826-91	CAP, CHIP CERAMIC 100000PF B
C436	1-127-692-91	CAP, CHIP CERAMIC 10MF B (3225)	C521	1-125-837-91	CAP, CHIP CERAMIC 1MF B (1608)	C671	1-164-156-91	CAP, CHIP CERAMIC 0.1MF F (1608)	C839	1-125-837-91	CAP, CHIP CERAMIC 1MF B (1608)
C437	1-107-826-91	CAP, CHIP CERAMIC 100000PF B	C522	1-164-156-91	CAP, CHIP CERAMIC 0.1MF F (1608)	C672	1-164-156-91	CAP, CHIP CERAMIC 0.1MF F (1608)	C840	1-107-826-91	CAP, CHIP CERAMIC 100000PF B
C438	1-107-826-91	CAP, CHIP CERAMIC 100000PF B	C523	1-107-726-91	CAP, CHIP CERAMIC 100000PF B (1608)	C673	1-164-156-91	CAP, CHIP CERAMIC 0.1MF F (1608)	C841	1-107-826-91	CAP, CHIP CERAMIC 100000PF B
C439	1-135-593-21	CAP, ELECT 150MF	C524	1-113-619-91	CAP, CERAMIC 470000PF F (1608)	C674	1-164-156-91	CAP, CHIP CERAMIC 0.1MF F (1608)	C842	1-107-826-91	CAP, CHIP CERAMIC 100000PF B
C440	1-135-592-21	CAP, ELECT 100MF	C525	1-113-619-91	CAP, CERAMIC 470000PF F (1608)	C675	1-164-360-91	CAP, CERAMIC 0.1MF F (1608)	C843	1-162-970-91	CAP, CERAMIC 10000PF B (1608)
C441	1-135-593-21	CAP, ELECT 150MF	C527	1-162-964-91	CAP, CHIP CERAMIC 1000PF B (1608)	C676	1-164-360-91	CAP, CERAMIC 0.1MF F (1608)	C844	1-125-837-91	CAP, CHIP CERAMIC 1MF B (1608)
C443	1-135-592-21	CAP, ELECT 100MF	C528	1-125-837-91	CAP, CHIP CERAMIC 1MF B (1608)	C685	1-117-863-91	CAP, CHIP CERAMIC 0.47MF B (1608)	C845	1-162-970-91	CAP, CERAMIC 10000PF B (1608)
C444	1-107-826-91	CAP, CHIP CERAMIC 100000PF B	C529	1-128-008-21	CAP, ELECT (CHIP) 3.3MF	C688	1-162-964-91	CAP, CHIP CERAMIC 1000PF B (1608)	C846	1-107-826-91	CAP, CHIP CERAMIC 100000PF B
C445	1-117-720-91	CAP, CERAMIC 4.7MF F (2012)	C530	1-128-008-21	CAP, ELECT (CHIP) 3.3MF	C693	1-162-912-91	CAP, CERAMIC 7.0PF CH (1608)	C848	1-107-823-91	CAP, CERAMIC 470000PF B (2012)
C446	1-135-592-21	CAP, ELECT 100MF	C533	1-113-619-91	CAP, CERAMIC 470000PF F (1608)	C701	1-162-927-91	CAP, CERAMIC 100PF CH (1608)	C850	1-107-826-91	CAP, CHIP CERAMIC 100000PF B
C447	1-107-682-91	CAP, CERAMIC 1000000PF B (3216)	C534	1-113-619-91	CAP, CERAMIC 470000PF F (1608)	C702	1-162-927-91	CAP, CERAMIC 100PF CH (1608)	C851	1-162-970-91	CAP, CERAMIC 10000PF B (1608)
C448	1-127-692-91	CAP, CHIP CERAMIC 10MF B (3225)	C535	1-113-619-91	CAP, CERAMIC 470000PF F (1608)	C703	1-162-927-91	CAP, CERAMIC 100PF CH (1608)			



Ref.	Part No.	Description	Ref.	Part No.	Description	Ref.	Part No.	Description	Ref.	Part No.	Description
C862	1-164-739-91	CAP, CERAMIC 560PF CH (1608)	C942	1-107-826-91	CAP, CHIP CERAMIC 100000PF B	D209	8-719-064-61	DIODE 01BZA8.2(TE85L)	FL302	1-234-601-21	NETWORK, RC (USB) (3216)
C863	1-162-964-91	CAP, CHIP CERAMIC 10000PF B (1608)	C943	1-107-826-91	CAP, CHIP CERAMIC 100000PF B	D210	8-719-064-61	DIODE 01BZA8.2(TE85L)			
C866	1-107-826-91	CAP, CHIP CERAMIC 100000PF B				D301	8-719-071-87	DIODE MA785-(TX),SO			<IC>
C868	1-164-156-91	CAP, CHIP CERAMIC 0.1MF F (1608)	C944	1-107-826-91	CAP, CHIP CERAMIC 100000PF B	D402	8-719-074-34	DIODE RB495D-T146	IC101	8-759-831-20	IC CY2212ZC-2T
C869	1-164-156-91	CAP, CHIP CERAMIC 0.1MF F (1608)	C945	1-107-826-91	CAP, CHIP CERAMIC 100000PF B	D403	8-719-074-34	DIODE RB495D-T146	IC102	8-759-837-33	IC K4R271669A-SCK8T00
C870	1-164-156-91	CAP, CHIP CERAMIC 0.1MF F (1608)	C946	1-107-826-91	CAP, CHIP CERAMIC 100000PF B	D404	8-719-033-15	DIODE HN2D02FU-TE85R	IC103	8-759-837-33	IC K4R271669A-SCK8T00
C871	1-164-677-91	CAP, CERAMIC 33000PF B (1608)	C947	1-107-826-91	CAP, CHIP CERAMIC 100000PF B	D405	8-719-078-04	DIODE EC31QS03L-TE12L	IC104	8-759-699-09	IC CXD9615GB
C872	1-115-467-91	CAP, CHIP CERAMIC 0.22MF B (1608)	C948	1-107-826-91	CAP, CHIP CERAMIC 100000PF B	D407	8-719-074-34	DIODE RB495D-T146	IC105	8-759-689-90	IC LM74CIMX-3
C873	1-164-392-91	CAP, CERAMIC 390PF CH (1608)	C949	1-107-826-91	CAP, CHIP CERAMIC 100000PF B	D408	8-719-074-34	DIODE RB495D-T146	IC201	8-759-831-20	IC CY2212ZC-2T
C874	1-164-677-91	CAP, CERAMIC 33000PF B (1608)	C950	1-107-826-91	CAP, CHIP CERAMIC 100000PF B	D500	8-719-941-21	DIODE DAP202UT106			for CEX-DA10002B/C model only
C875	1-107-826-91	CAP, CHIP CERAMIC 100000PF B	C951	1-107-826-91	CAP, CHIP CERAMIC 100000PF B	D501	8-719-082-76	DIODE CL-201TLY-C-TU	IC202	8-752-404-01	IC CXD2934GB-T7
C876	1-125-838-91	CAP, CHIP CERAMIC 2.2MF B (2012)	C952	1-107-826-91	CAP, CHIP CERAMIC 100000PF B	D801	8-719-065-68	DIODE MAZF04700LS0			for CEX-DA10002B/C model only
C877	1-164-173-91	CAP, CERAMIC 3900PF B (1608)	C953	1-107-826-91	CAP, CHIP CERAMIC 100000PF B	D802	8-719-065-68	DIODE MAZF04700LS0	IC205	6-700-230-01	IC SC44728BPEEB
C879	1-164-739-91	CAP, CERAMIC 560PF CH (1608)	C954	1-107-826-91	CAP, CHIP CERAMIC 100000PF B				IC206	8-752-093-56	IC CXA3525R-T4
C880	1-107-826-91	CAP, CHIP CERAMIC 100000PF B	C955	1-107-826-91	CAP, CHIP CERAMIC 100000PF B			<FUSE>	IC206	8-752-099-53	IC CXA3525BR-T4
C882	1-127-692-91	CAP, CHIP CERAMIC 10MF B (3225)	C956	1-107-826-91	CAP, CHIP CERAMIC 100000PF B	△ F001	1-576-434-21	FUSE, CHIP	IC207	8-759-391-69	IC MC78M05CDTRK
C883	1-163-038-91	CAP, CERAMIC 100000PF F (2012)	C957	1-107-826-91	CAP, CHIP CERAMIC 100000PF B	△ F003	1-576-434-21	FUSE, CHIP	IC207	8-759-691-00	IC JCP78M05CDTRK
C888	1-107-826-91	CAP, CHIP CERAMIC 100000PF B	C958	1-107-826-91	CAP, CHIP CERAMIC 100000PF B				IC207	8-759-697-61	IC L78M05CDT-TR(P)
C889	1-107-826-91	CAP, CHIP CERAMIC 100000PF B	C959	1-107-826-91	CAP, CHIP CERAMIC 100000PF B			<FERRITE BEAD>	IC209	8-759-697-60	IC MM3071CFBE
C890	1-104-851-91	CAP, CHIP TANTALUM ELECT 10MF	C960	1-107-826-91	CAP, CHIP CERAMIC 100000PF B	FB102	1-469-667-21	FERRITE, EMI (SMD)	IC303	8-759-699-11	IC CXD9619GB
C891	1-107-826-91	CAP, CHIP CERAMIC 100000PF B	C961	1-107-826-91	CAP, CHIP CERAMIC 100000PF B	FB103	1-469-667-21	FERRITE, EMI (SMD)	IC305	6-700-549-01	IC K4Q153212MJC60T
C895	1-162-964-91	CAP, CHIP CERAMIC 1000PF B (1608)	C962	1-107-826-91	CAP, CHIP CERAMIC 100000PF B	FB201	1-414-813-21	FERRITE, EMI (SMD)	IC305	6-700-119-01	IC T5NB8(YEL)
C897	1-164-677-91	CAP, CERAMIC 33000PF B (1608)	C963	1-107-826-91	CAP, CHIP CERAMIC 100000PF B	FB202	1-500-113-22	BEAD, FERRITE (CHIP)	IC306	8-759-688-07	IC MM3051NULLE
C898	1-164-156-91	CAP, CHIP CERAMIC 0.1MF F (1608)	C965	1-107-826-91	CAP, CHIP CERAMIC 100000PF B	FB203	1-500-113-22	BEAD, FERRITE (CHIP)	IC306	8-759-697-24	IC S-817A12ANB-CUB-T2
C899	1-164-156-91	CAP, CHIP CERAMIC 0.1MF F (1608)	C966	1-107-826-91	CAP, CHIP CERAMIC 100000PF B	FB204	1-500-113-22	BEAD, FERRITE (CHIP)	IC401	8-759-661-25	IC S-80769SN-J0-T1
C901	1-107-826-91	CAP, CHIP CERAMIC 100000PF B	C967	1-125-837-91	CAP, CHIP CERAMIC 1MF B (1608)	FB205	1-500-113-22	BEAD, FERRITE (CHIP)	IC402	8-759-837-34	IC TMP87C807U-2A69(EL)
C902	1-107-826-91	CAP, CHIP CERAMIC 100000PF B	C968	1-125-837-91	CAP, CHIP CERAMIC 1MF B (1608)	FB206	1-500-113-22	BEAD, FERRITE (CHIP)	IC403	6-700-234-01	IC BD3992F-E2
C903	1-107-826-91	CAP, CHIP CERAMIC 100000PF B	C980	1-107-826-91	CAP, CHIP CERAMIC 100000PF B	FB207	1-469-667-21	FERRITE, EMI (SMD)	IC403	6-700-234-01	IC BD3992F-E2
C904	1-107-826-91	CAP, CHIP CERAMIC 100000PF B	C981	1-125-837-91	CAP, CHIP CERAMIC 1MF B (1608)	FB208	1-469-667-21	FERRITE, EMI (SMD)	IC404	8-759-689-89	IC SN104809DBTR
C905	1-107-826-91	CAP, CHIP CERAMIC 100000PF B	C982	1-107-826-91	CAP, CHIP CERAMIC 100000PF B	FB303	1-414-555-21	FERRITE, EMI (SMD)	IC405	8-759-560-17	IC RS5C348A-E2
C906	1-107-826-91	CAP, CHIP CERAMIC 100000PF B	C983	1-125-837-91	CAP, CHIP CERAMIC 1MF B (1608)	FB304	1-414-555-21	FERRITE, EMI (SMD)	IC406	8-759-698-67	IC BR2880F-E2
C907	1-107-826-91	CAP, CHIP CERAMIC 100000PF B	C984	1-107-826-91	CAP, CHIP CERAMIC 100000PF B	FB305	1-414-555-21	FERRITE, EMI (SMD)	IC407	8-759-712-66	IC PQ018PZ01ZP
C908	1-107-826-91	CAP, CHIP CERAMIC 100000PF B	C985	1-107-826-91	CAP, CHIP CERAMIC 100000PF B	FB306	1-414-555-21	FERRITE, EMI (SMD)	IC408	8-759-712-65	IC PQ070XZ01ZP
C909	1-107-826-91	CAP, CHIP CERAMIC 100000PF B	C986	1-107-826-91	CAP, CHIP CERAMIC 100000PF B	FB307	1-414-555-21	FERRITE, EMI (SMD)	IC409	8-759-689-89	IC SN104809DBTR
C910	1-107-826-91	CAP, CHIP CERAMIC 100000PF B	C987	1-107-826-91	CAP, CHIP CERAMIC 100000PF B	FB308	1-414-555-21	FERRITE, EMI (SMD)	IC410	8-749-018-42	IC SI-3026LSA-TL
C911	1-107-826-91	CAP, CHIP CERAMIC 100000PF B	C988	1-125-837-91	CAP, CHIP CERAMIC 1MF B (1608)	FB309	1-414-555-21	FERRITE, EMI (SMD)	IC411	8-759-688-06	IC MM3031JULE
C912	1-107-826-91	CAP, CHIP CERAMIC 100000PF B	C989	1-107-826-91	CAP, CHIP CERAMIC 100000PF B	FB310	1-414-555-21	FERRITE, EMI (SMD)	IC413	6-700-233-01	IC MM1573ZNLX
C913	1-107-826-91	CAP, CHIP CERAMIC 100000PF B	C990	1-107-826-91	CAP, CHIP CERAMIC 100000PF B	FB311	1-414-555-21	FERRITE, EMI (SMD)	IC413	8-759-598-12	IC LP2985IM5X-3.5
C914	1-107-826-91	CAP, CHIP CERAMIC 100000PF B			<CONNECTOR>	FB312	1-414-555-21	FERRITE, EMI (SMD)	IC414	8-759-069-41	IC TA7808F(TE16L)
C915	1-107-826-91	CAP, CHIP CERAMIC 100000PF B	CN201	1-815-631-11	CONNECTOR, SQUARE TYPE 12P	FB313	1-469-324-21	FERRITE, EMI (SMD)	IC414	8-759-473-16	IC BA17808FP-E2
C916	1-107-826-91	CAP, CHIP CERAMIC 100000PF B	CN302	1-794-206-21	CONNECTOR, FFC/FPC (ZIF) 36P	FB314	1-469-324-21	FERRITE, EMI (SMD)	IC414	8-759-697-62	IC NJM7808DL1A(TE1)
C917	1-107-826-91	CAP, CHIP CERAMIC 100000PF B	CN303	1-694-822-11	TERMINAL BOARD (LINK/USB)	FB315	1-469-324-21	FERRITE, EMI (SMD)	IC415	8-759-581-11	IC NJM2125F(TE2)
C918	1-107-826-91	CAP, CHIP CERAMIC 100000PF B	CN401	1-815-630-11	PIN, CONNECTOR 4P	FB316	1-469-324-21	FERRITE, EMI (SMD)	IC501	6-700-231-01	IC CXD9611AR
C919	1-107-826-91	CAP, CHIP CERAMIC 100000PF B	CN402	1-815-648-21	PIN, CONNECTOR (PC BOARD) 2P	FB317	1-469-110-21	FERRITE, EMI (SMD)	IC501	8-759-699-10	IC CXD9611R
C920	1-107-826-91	CAP, CHIP CERAMIC 100000PF B	CN403	1-784-650-21	CONNECTOR 2P	FB318	1-469-110-21	FERRITE, EMI (SMD)	IC502	8-759-712-79	IC K4E151612D-TL50T00
C921	1-107-826-91	CAP, CHIP CERAMIC 100000PF B	CN406	1-815-653-21	CONNECTOR, FFC/FPC (ZIF) 7P	FB319	1-469-110-21	FERRITE, EMI (SMD)	IC502	8-759-712-80	IC MT4LC1M16E5TG-5TR
C922	1-107-826-91	CAP, CHIP CERAMIC 100000PF B	CN501	1-476-736-11	TRANSMITTER UNIT, LIGHT	FB320	1-469-110-21	FERRITE, EMI (SMD)	IC502	8-759-712-81	IC GM71V18163CT-5
C923	1-107-826-91	CAP, CHIP CERAMIC 100000PF B	CN504	1-815-632-11	CONNECTOR BOARD TO BOARD 110P	FB321	1-469-110-21	FERRITE, EMI (SMD)	IC502	8-759-712-82	IC SDMV18165CTM6S
C924	1-107-826-91	CAP, CHIP CERAMIC 100000PF B	CN801	1-794-237-21	CONNECTOR, FFC/FPC 30P	FB322	1-469-110-21	FERRITE, EMI (SMD)	IC504	8-752-408-53	IC CXD2942AR
C925	1-107-826-91	CAP, CHIP CERAMIC 100000PF B	CN802	1-770-619-41	PIN, CONNECTOR 2P	FB323	1-469-110-21	FERRITE, EMI (SMD)	IC517	8-759-667-10	IC CS4335-KS
C926	1-107-826-91	CAP, CHIP CERAMIC 100000PF B	CN803	1-779-206-21	CONNECTOR, FFC(LIF(NON-ZIF)4P	FB324	1-469-110-21	FERRITE, EMI (SMD)	IC603	8-759-370-11	IC NJM2100V-TE2
C927	1-107-826-91	CAP, CHIP CERAMIC 100000PF B	CN804	1-794-194-21	CONNECTOR, FFC/FPC 13P	FB403	1-469-667-21	FERRITE, EMI (SMD)	IC604	8-752-921-99	IC CXP102064-202R-T6
C928	1-107-826-91	CAP, CHIP CERAMIC 100000PF B	CN805	1-770-619-21	PIN, CONNECTOR 2P	FB404	1-469-667-21	FERRITE, EMI (SMD)	IC604	8-752-921-99	IC CXP102064-202R-T6
C929	1-107-826-91	CAP, CHIP CERAMIC 100000PF B	CN806	1-770-619-81	PIN, CONNECTOR 2P	FB405	1-469-667-21	FERRITE, EMI (SMD)	IC604	8-752-924-75	IC CXP102064-203R-T6
C930	1-107-826-91	CAP, CHIP CERAMIC 100000PF B			<NETWORK>	FB406	1-469-667-21	FERRITE, EMI (SMD)	IC605	8-752-414-53	IC CXD1869AQ-2
C931	1-107-826-91	CAP, CHIP CERAMIC 100000PF B	CP201	1-234-605-21	NETWORK, RC	FB407	1-469-667-21	FERRITE, EMI (SMD)	IC605	8-752-413-11	IC CXD1869BQ
C932	1-107-826-91	CAP, CHIP CERAMIC 100000PF B			<DIODE>	FB408	1-469-667-21	FERRITE, EMI (SMD)	IC802	8-759-697-65	IC BA5815FM-E2
C933	1-107-826-91	CAP, CHIP CERAMIC 100000PF B				FB409	1-469-667-21	FERRITE, EMI (SMD)	IC803	8-759-588-60	IC BA6664FM-E2
C934	1-107-826-91	CAP, CHIP CERAMIC 100000PF B				FB801	1-469-562-21	FERRITE, EMI (SMD)	IC805	8-759-712-38	IC HD74HC1G66CME
C935	1-107-826-91	CAP, CHIP CERAMIC 100000PF B	D201	8-719-065-78	DIODE MAZF12000LS0	FB802	1-469-562-21	FERRITE, EMI (SMD)	IC805	8-759-712-63	IC MC74VHC1G66DFT1
C936	1-107-826-91	CAP, CHIP CERAMIC 100000PF B	D202	8-719-064-61	DIODE 01BZA8.2(TE85L)			<FILTER>	IC806	8-759-337-40	IC NJM2904V(TE2)
C937	1-107-826-91	CAP, CHIP CERAMIC 100000PF B	D203	8-719-064-61	DIODE 01BZA8.2(TE85L)				IC807	8-759-391-69	IC MC78M05CDTRK
C938	1-107-826-91	CAP, CHIP CERAMIC 100000PF B	D204	8-719-064-61	DIODE 01BZA8.2(TE85L)	FL201	1-469-991-21	EMI FILTER (SMD)	IC807	8-759-691-00	IC JCP78M05CDTRK
C939	1-107-826-91	CAP, CHIP CERAMIC 100000PF B	D205	8-719-064-61	DIODE 01BZA8.2(TE85L)	FL202	1-469-991-21	EMI FILTER (SMD)	IC807	8-759-697-61	IC L78M05CDT-TR(P)
C940	1-107-826-91	CAP, CHIP CERAMIC 100000PF B	D206	8-719-064-61	DIODE 01BZA8.2(TE85L)	FL203	1-469-991-21	EMI FILTER (SMD)			
C941	1-107-826-91	CAP, CHIP CERAMIC 100000PF B	D208	8-719-064-61	DIODE 01BZA8.2(TE85L)	FL301	1-234-601-21	NETWORK, RC (USB) (3216)			



Ref.	Part No.	Description	Ref.	Part No.	Description	Ref.	Part No.	Description	Ref.	Part No.	Description
		<INDUCTOR>	Q814	8-729-029-13	TRANSISTOR DTC143ZUA-T106	R258	1-208-923-81	RES, CHIP 33K (1005)	R409	1-216-864-91	CONDUCTOR, CHIP (1608)
L102	1-469-967-21	INDUCTOR, CHIP 10UH (2518)			<RESISTOR>	R259	1-216-824-91	RES, CHIP 1.8K (1608)	R410	1-218-883-91	RES, CHIP 33K (1608)
L202	1-469-967-21	INDUCTOR, CHIP 10UH (2518)				R261	1-218-961-81	RES, CHIP 4.7K (1608)	R411	1-218-883-91	RES, CHIP 33K (1608)
L203	1-469-967-21	INDUCTOR, CHIP 10UH (2518)	R101	1-220-884-81	RES, CHIP 39 (1005)	R263	1-216-825-91	RES, CHIP 2.2K (1608)	R412	1-218-883-91	RES, CHIP 33K (1608)
L206	1-412-956-21	INDUCTOR, SMALL TYPE 27UH (2518)	R102	1-208-866-81	RES, CHIP 130 (1005)	R264	1-216-821-91	RES, CHIP 1.0K (1608)	R413	1-218-891-91	RES, CHIP 68K (1608)
L401	1-411-197-21	COIL, DD CONVERTER	R103	1-220-884-81	RES, CHIP 39 (1005)	R265	1-216-821-91	RES, CHIP 1.0K (1608)	R414	1-218-859-91	RES, CHIP 3.3K (1608)
L404	1-424-854-21	COIL (SMD), CHOKE 2.0UH	R104	1-208-866-81	RES, CHIP 130 (1005)	R270	1-218-853-91	RES, CHIP 1.8K (1608)	R415	1-216-839-91	RES, CHIP 33K (1608)
L408	1-419-898-21	COIL, CHOKE 5.6UH	R105	1-216-864-91	CONDUCTOR, CHIP (1608)	R272	1-218-859-91	RES, CHIP 3.3K (1608)	R416	1-216-839-91	RES, CHIP 33K (1608)
L410	1-411-197-21	COIL, DD CONVERTER	R106	1-216-809-91	RES, CHIP 100 (1608)	R273	1-218-851-91	RES, CHIP 1.5K (1608)	R417	1-216-813-91	RES, CHIP 220 (1608)
L412	1-411-197-21	COIL, DD CONVERTER	R107	1-216-809-91	RES, CHIP 100 (1608)	R277	1-218-853-91	RES, CHIP 1.8K (1608)	R418	1-216-837-91	RES, CHIP 22K (1608)
L801	1-469-524-91	INDUCTOR 4.7UH (NLFV25)	R109	1-218-961-81	RES, CHIP 4.7K (1608)	R278	1-218-859-91	RES, CHIP 3.3K (1608)	R419	1-216-833-91	RES, CHIP 10K (1608)
L802	1-469-524-91	INDUCTOR 4.7UH (NLFV25)	R110	1-211-983-91	RES, CHIP 39 (1608)	R279	1-218-851-91	RES, CHIP 1.5K (1608)	R420	1-216-833-91	RES, CHIP 10K (1608)
L803	1-414-394-41	INDUCTOR (SMD) 2.2UH	R111	1-211-983-91	RES, CHIP 39 (1608)	R292	1-216-833-91	RES, CHIP 10K (1608)	R421	1-216-790-91	RES, CHIP 2.7 (1608)
		<COIL>	R112	1-211-989-91	RES, CHIP 68 (1608)	R294	1-216-829-91	RES, CHIP 4.7K (1608)	R422	1-216-797-91	RES, CHIP 10 (1608)
LF101	1-419-100-21	COIL, COMMON-MODE CHOKE	R113	1-211-989-91	RES, CHIP 68 (1608)	R295	1-216-833-91	RES, CHIP 10K (1608)	R423	1-216-790-91	RES, CHIP 2.7 (1608)
LF801	1-416-405-21	FILTER, CHIP EMI (COMMON MODE)	R114	1-211-983-91	RES, CHIP 39 (1608)	R307	1-208-857-81	RES, CHIP 56 (1005)	R424	1-216-797-91	RES, CHIP 10 (1608)
		<LINK>	R115	1-211-983-91	RES, CHIP 39 (1608)	R308	1-208-904-81	RES, CHIP 5.1K (1005)	R426	1-218-874-91	RES, CHIP 13K (1608)
△ PS001	1-576-519-21	FUSE, MICRO (1608) TYPE)	R116	1-211-983-91	RES, CHIP 39 (1608)	R309	1-211-987-91	RES, CHIP 56 (1608)	R427	1-218-871-91	RES, CHIP 10K (1608)
△ PS002	1-533-940-21	RINK, CHIP IC	R117	1-211-983-91	RES, CHIP 39 (1608)	R310	1-211-987-91	RES, CHIP 56 (1608)	R428	1-216-309-91	RES, CHIP 5.6 (2012)
△ PS003	1-533-940-21	RINK, CHIP IC	R118	1-211-973-91	RES, CHIP 15 (1608)	R311	1-216-829-91	RES, CHIP 4.7K (1608)	R429	1-216-833-91	RES, CHIP 10K (1608)
△ PS004	1-533-940-21	RINK, CHIP IC	R119	1-211-973-91	RES, CHIP 15 (1608)	R312	1-208-857-81	RES, CHIP 56 (1005)	R430	1-216-813-91	RES, CHIP 220 (1608)
△ PS006	1-533-915-41	RINK, CHIP IC	R120	1-211-973-91	RES, CHIP 15 (1608)	R315	1-218-866-91	RES, CHIP 6.2K (1608)	R431	1-216-813-91	RES, CHIP 220 (1608)
△ PS007	1-533-282-21	LINK, IC	R121	1-211-973-91	RES, CHIP 15 (1608)	R316	1-216-797-91	RES, CHIP 10 (1608)	R432	1-216-829-91	RES, CHIP 4.7K (1608)
△ PS008	1-533-940-21	RINK, CHIP IC	R122	1-216-864-91	CONDUCTOR, CHIP (1608)	R318	1-218-990-81	CONDUCTOR, CHIP (1005)	R433	1-216-829-91	RES, CHIP 4.7K (1608)
△ PS009	1-533-915-41	RINK, CHIP IC	R123	1-218-990-81	CONDUCTOR, CHIP (1005)	R320	1-219-570-91	RES, CHIP 10M (1608)	R434	1-216-810-91	RES, CHIP 120 (1608)
△ PS010	1-533-282-21	LINK, IC	R124	1-216-864-91	CONDUCTOR, CHIP (1608)	R321	1-216-813-91	RES, CHIP 220 (1608)	R435	1-216-810-91	RES, CHIP 120 (1608)
△ PS011	1-576-519-21	FUSE, MICRO (1608) TYPE)	R125	1-218-990-81	CONDUCTOR, CHIP (1005)	R322	1-216-857-91	RES, CHIP 1.0M (1608)	R438	1-218-850-91	RES, CHIP 1.3K (1608)
△ PS012	1-533-915-41	RINK, CHIP IC	R126	1-216-833-91	RES, CHIP 10K (1608)	R324	1-216-833-91	RES, CHIP 10K (1608)	R439	1-218-857-91	RES, CHIP 2.7K (1608)
△ PS013	1-533-940-21	RINK, CHIP IC	R127	1-216-829-91	RES, CHIP 4.7K (1608)	R327	1-216-833-91	RES, CHIP 10K (1608)	R440	1-218-859-91	RES, CHIP 3.3K (1608)
△ PS014	1-533-282-21	LINK, IC	R128	1-216-829-91	RES, CHIP 4.7K (1608)	R328	1-216-841-91	RES, CHIP 47K (1608)	R441	1-218-879-91	RES, CHIP 22K (1608)
△ PS015	1-533-915-41	RINK, CHIP IC	R129	1-216-821-91	RES, CHIP 1.0K (1608)	R329	1-216-805-91	RES, CHIP 47 (1608)	R442	1-218-869-91	RES, CHIP 8.2K (1608)
Q201	8-729-026-50	TRANSISTOR 2SA1037AK-T146-QR	R130	1-216-817-91	RES, CHIP 470 (1608)	R330	1-211-973-91	RES, CHIP 15 (1608)	R443	1-218-865-91	RES, CHIP 5.6K (1608)
Q204	8-729-049-77	TRANSISTOR HN1B01F-GR(T5LSONY)	R131	1-216-833-91	RES, CHIP 10K (1608)	R331	1-216-805-91	RES, CHIP 47 (1608)	R444	1-218-881-91	RES, CHIP 27K (1608)
Q205	8-729-013-22	TRANSISTOR HN1A01FU-TE85R	R132	1-216-833-91	RES, CHIP 10K (1608)	R332	1-216-817-91	RES, CHIP 470 (1608)	R445	1-218-849-91	RES, CHIP 1.2K (1608)
Q206	8-729-037-63	TRANSISTOR UN9115J-(TX).SO for SCPH-30003D' / -30004D'	R133	1-216-833-91	RES, CHIP 10K (1608)	R333	1-216-817-91	RES, CHIP 470 (1608)	R446	1-216-817-91	RES, CHIP 470 (1608)
Q401	8-729-055-58	TRANSISTOR SI4894DY-T1	R134	1-218-965-81	RES, CHIP 10K (1608)	R334	1-216-829-91	RES, CHIP 4.7K (1608)	R447	1-216-817-91	RES, CHIP 470 (1608)
Q402	8-729-053-80	TRANSISTOR SI4830DY-T1	R138	1-216-864-91	CONDUCTOR, CHIP (1608)	R335	1-216-829-91	RES, CHIP 4.7K (1608)	R448	1-218-965-81	RES, CHIP 10K (1608)
Q404	8-729-052-07	TRANSISTOR HAT2064R-EL	R139	1-216-801-91	RES, CHIP 22 (1608)	R336	1-216-821-91	RES, CHIP 1.0K (1608)	R449	1-216-850-91	RES, CHIP 270K (1608)
Q405	8-729-427-47	TRANSISTOR XP4213-TXE	R145	1-218-953-81	RES, CHIP 1.0K (1608)	R347	1-211-986-91	RES, CHIP 51 (1608)	R451	1-218-949-81	RES, CHIP 470 (1608)
Q406	8-729-053-80	TRANSISTOR SI4830DY-T1	R146	1-216-821-91	RES, CHIP 1.0K (1608)	R349	1-216-821-91	RES, CHIP 1.0K (1608)	R452	1-216-797-91	RES, CHIP 10 (1608)
Q407	8-729-046-04	TRANSISTOR FDS6690A	R147	1-216-821-91	RES, CHIP 1.0K (1608)	R350	1-216-807-91	RES, CHIP 68 (1608)	R453	1-216-797-91	RES, CHIP 10 (1608)
Q408	8-729-051-61	TRANSISTOR IRF7807D1-TR	R185	1-216-829-91	RES, CHIP 4.7K (1608)	R351	1-216-805-91	RES, CHIP 47 (1608)	R454	1-216-797-91	RES, CHIP 10 (1608)
Q409	8-729-013-97	TRANSISTOR RN1304-TE85L	R188	1-216-829-91	RES, CHIP 4.7K (1608)	R352	1-216-797-91	RES, CHIP 10 (1608)	R455	1-216-845-91	RES, CHIP 100K (1608)
Q410	8-729-013-97	TRANSISTOR RN1304-TE85L	R196	1-218-933-81	RES, CHIP 22 (1608)	R353	1-216-801-91	RES, CHIP 22 (1608)	R456	1-216-821-91	RES, CHIP 1.0K (1608)
Q411	8-729-043-74	TRANSISTOR SI4435DY-T1-REVA	R201	1-216-864-91	CONDUCTOR, CHIP (1608)	R354	1-216-801-91	RES, CHIP 22 (1608)	R457	1-218-887-91	RES, CHIP 47K (1608)
Q412	8-729-043-74	TRANSISTOR SI4435DY-T1-REVA	R202	1-216-833-91	RES, CHIP 10K (1608)	R357	1-218-933-81	RES, CHIP 22 (1608)	R458	1-216-797-91	RES, CHIP 10 (1608)
Q413	8-729-054-34	TRANSISTOR FDN304P	R206	1-211-989-91	RES, CHIP 68 (1608)	R358	1-216-801-91	RES, CHIP 22 (1608)	R459	1-216-833-91	RES, CHIP 10K (1608)
Q414	8-729-043-74	TRANSISTOR SI4435DY-T1-REVA	R208	1-211-992-91	RES, CHIP 91 (1608)	R359	1-216-801-91	RES, CHIP 22 (1608)	R460	1-218-871-91	RES, CHIP 10K (1608)
Q415	8-729-052-41	TRANSISTOR 2SC4541 (2TL SONY1)	R209	1-218-828-91	RES, CHIP 160 (1608)	R360	1-218-937-81	RES, CHIP 47 (1608)	R461	1-216-309-91	RES, CHIP 5.6 (2012)
Q505	8-729-021-09	TRANSISTOR RN4904(TE85R)	R217	1-218-859-91	RES, CHIP 3.3K (1608)	R361	1-218-937-81	RES, CHIP 47 (1608)	R462	1-216-849-91	RES, CHIP 220K (1608)
Q506	8-729-056-15	TRANSISTOR IMH20T108	R218	1-218-847-91	RES, CHIP 1.0K (1608)	R362	1-216-805-91	RES, CHIP 47 (1608)	R463	1-216-857-91	RES, CHIP 1.0M (1608)
Q600	8-729-016-26	TRANSISTOR 2SK1958-T1	R219	1-218-851-91	RES, CHIP 1.5K (1608)	R363	1-216-864-91	CONDUCTOR, CHIP (1608)	R465	1-216-845-91	RES, CHIP 100K (1608)
Q603	8-729-017-33	TRANSISTOR RN1706-TE85R	R225	1-216-829-91	RES, CHIP 4.7K (1608)	R364	1-216-805-91	RES, CHIP 47 (1608)	R466	1-216-821-91	RES, CHIP 1.0K (1608)
Q801	8-729-031-35	TRANSISTOR 2SK2034-TE85L	R226	1-218-965-81	RES, CHIP 10K (1608)	R365	1-216-805-91	RES, CHIP 47 (1608)	R467	1-216-833-91	RES, CHIP 10K (1608)
Q802	8-729-029-13	TRANSISTOR DTC143ZUA-T106	R228	1-218-965-81	RES, CHIP 10K (1608)	R366	1-218-937-81	RES, CHIP 47 (1608)	R469	1-216-833-91	RES, CHIP 10K (1608)
Q803	8-729-031-35	TRANSISTOR 2SK2034-TE85L	R233	1-216-821-91	RES, CHIP 1.0K (1608)	R367	1-216-805-91	RES, CHIP 47 (1608)	R470	1-216-827-91	RES, CHIP 3.3K (1608)
Q804	8-729-103-96	TRANSISTOR 2SB798-T1DL	R236	1-216-809-91	RES, CHIP 100 (1608)	R368	1-216-805-91	RES, CHIP 47 (1608)	R472	1-218-871-91	RES, CHIP 10K (1608)
Q805	8-729-103-96	TRANSISTOR 2SB798-T1DL	R237	1-216-829-91	RES, CHIP 4.7K (1608)	R394	1-216-833-91	RES, CHIP 10K (1608)	R473	1-218-863-91	RES, CHIP 4.7K (1608)
Q806	8-729-048-50	TRANSISTOR 2SK3018-T106	R244	1-218-831-91	RES, CHIP 220 (1608)	R395	1-218-957-81	RES, CHIP 2.2K (1608)	R474	1-216-853-91	RES, CHIP 470K (1608)
Q808	8-729-048-50	TRANSISTOR 2SK3018-T106	R245	1-218-831-91	RES, CHIP 220 (1608)	R401	1-218-969-81	RES, CHIP 22K (1608)	R475	1-216-857-91	RES, CHIP 1.0M (1608)
Q810	8-729-048-50	TRANSISTOR 2SK3018-T106	R246	1-218-831-91	RES, CHIP 220 (1608)	R402	1-216-837-91	RES, CHIP 22K (1608)	R476	1-216-845-91	RES, CHIP 100K (1608)
			R247	1-216-801-91	RES, CHIP 22 (1608)	R403	1-216-849-91	RES, CHIP 220K (1608)	R479	1-216-864-91	CONDUCTOR, CHIP (1608)
			R251	1-216-837-91	RES, CHIP 22K (1608)	R404	1-216-845-91	RES, CHIP 100K (1608)	R503	1-216-803-91	RES, CHIP 33 (1608)
			R252	1-216-839-91	RES, CHIP 33K (1608)	R405	1-216-845-91	RES, CHIP 100K (1608)	R504	1-216-803-91	RES, CHIP 33 (1608)
			R253	1-216-833-91	RES, CHIP 10K (1608)	R406	1-216-811-91	RES, CHIP 150 (1608)	R505	1-216-803-91	RES, CHIP 33 (1608)
			R257	1-216-824-91	RES, CHIP 1.8K (1608)	R408	1-216-822-91	RES, CHIP 1.2K (1608)	R506	1-216-809-91	RES, CHIP 100 (1608)

Ref.	Part No.	Description	Ref.	Part No.	Description	Ref.	Part No.	Description	Ref.	Part No.	Description	
R509	1-216-821-91	RES, CHIP 1.0K	(1608)	R817	1-216-158-91	RES, CHIP 22	(3216)		RB603	1-233-415-21	RES, CHIP NETWORK 10K	(3216)
R513	1-216-805-91	RES, CHIP 47	(1608)	R818	1-216-797-91	RES, CHIP 10	(1608)		RB606	1-233-412-21	RES, CHIP NETWORK 1.0K	(3216)
R516	1-216-809-91	RES, CHIP 100	(1608)	R819	1-218-889-91	RES, CHIP 56K	(1608)	RB121	1-233-575-21	RES, CHIP NETWORK 22		
R517	1-216-809-91	RES, CHIP 100	(1608)	R820	1-218-881-91	RES, CHIP 27K	(1608)	RB122	1-233-575-21	RES, CHIP NETWORK 22		
R522	1-216-833-91	RES, CHIP 10K	(1608)					RB123	1-233-575-21	RES, CHIP NETWORK 22		
				R821	1-218-881-91	RES, CHIP 27K	(1608)	RB124	1-233-575-21	RES, CHIP NETWORK 22		
R531	1-216-809-91	RES, CHIP 100	(1608)	R822	1-218-881-91	RES, CHIP 27K	(1608)	RB125	1-233-575-21	RES, CHIP NETWORK 22		
R574	1-216-812-91	RES, CHIP 180	(1608)	R823	1-218-890-91	RES, CHIP 62K	(1608)					
R575	1-216-850-91	RES, CHIP 270K	(1608)	R826	1-218-871-91	RES, CHIP 10K	(1608)	RB126	1-233-575-21	RES, CHIP NETWORK 22		
R576	1-216-833-91	RES, CHIP 10K	(1608)	R827	1-218-871-91	RES, CHIP 10K	(1608)	RB130	1-233-423-21	RES, CHIP NETWORK 47	(3216)	
R577	1-216-818-91	RES, CHIP 560	(1608)					RB131	1-233-423-21	RES, CHIP NETWORK 47	(3216)	
				R828	1-218-881-91	RES, CHIP 27K	(1608)	RB132	1-233-423-21	RES, CHIP NETWORK 47	(3216)	
R578	1-216-818-91	RES, CHIP 560	(1608)	R830	1-216-815-91	RES, CHIP 330	(1608)	RB133	1-233-423-21	RES, CHIP NETWORK 47	(3216)	
R579	1-216-833-91	RES, CHIP 10K	(1608)	R831	1-216-810-91	RES, CHIP 120	(1608)					
R580	1-216-850-91	RES, CHIP 270K	(1608)	R834	1-208-911-81	RES, CHIP 10K	(1005)	RB134	1-233-423-21	RES, CHIP NETWORK 47	(3216)	
R604	1-216-845-91	RES, CHIP 100K	(1608)	R837	1-208-922-81	RES, CHIP 30K	(1005)	RB135	1-233-423-21	RES, CHIP NETWORK 47	(3216)	
R606	1-216-833-91	RES, CHIP 10K	(1608)					RB136	1-233-423-21	RES, CHIP NETWORK 47	(3216)	
				R838	1-208-922-81	RES, CHIP 30K	(1005)	RB137	1-233-423-21	RES, CHIP NETWORK 47	(3216)	
R607	1-216-833-91	RES, CHIP 10K	(1608)	R840	1-208-916-81	RES, CHIP 16K	(1005)	RB139	1-233-414-21	RES, CHIP NETWORK 4.7K	(3216)	
R613	1-216-833-91	RES, CHIP 10K	(1608)	R843	1-208-922-81	RES, CHIP 30K	(1005)					
R614	1-216-833-91	RES, CHIP 10K	(1608)	R846	1-208-922-81	RES, CHIP 30K	(1005)	RB241	1-233-414-21	RES, CHIP NETWORK 4.7K	(3216)	
R619	1-216-833-91	RES, CHIP 10K	(1608)	R847	1-218-977-81	RES, CHIP 100K		RB294	1-233-414-21	RES, CHIP NETWORK 4.7K	(3216)	
R620	1-216-833-91	RES, CHIP 10K	(1608)					RB295	1-233-412-21	RES, CHIP NETWORK 1.0K	(3216)	
				R850	1-208-911-81	RES, CHIP 10K	(1005)	RB296	1-234-598-21	RES, CHIP NETWORK 75X4	(3216)	
R623	1-216-837-91	RES, CHIP 22K	(1608)	R851	1-208-916-81	RES, CHIP 16K	(1005)	RB297	1-234-599-21	RES, CHIP NETWORK 180X4	(3216)	
R624	1-216-850-91	RES, CHIP 270K	(1608)	R852	1-218-873-91	RES, CHIP 12K	(1608)					
R625	1-216-864-91	CONDUCTOR, CHIP	(1608)	R853	1-216-298-91	RES, CHIP 2.2	(2012)	RB298	1-234-598-21	RES, CHIP NETWORK 75X4	(3216)	
R626	1-216-833-91	RES, CHIP 10K	(1608)	R854	1-216-298-91	RES, CHIP 2.2	(2012)	RB303	1-233-412-21	RES, CHIP NETWORK 1.0K	(3216)	
R627	1-216-837-91	RES, CHIP 22K	(1608)					RB305	1-233-575-21	RES, CHIP NETWORK 22		
				R855	1-216-298-91	RES, CHIP 2.2	(2012)	RB310	1-233-681-91	RES, NETWORK 4.7K	(1608)	
R630	1-216-837-91	RES, CHIP 22K	(1608)	R856	1-216-298-91	RES, CHIP 2.2	(2012)	RB311	1-233-679-91	RES, NETWORK 470	(1608)	
R636	1-216-864-91	CONDUCTOR, CHIP	(1608)	R866	1-216-845-91	RES, CHIP 100K	(1608)					
R642	1-216-833-91	RES, CHIP 10K	(1608)	R868	1-216-849-91	RES, CHIP 220K	(1608)	RB312	1-233-786-91	RES, NETWORK 220	(1608)	
R644	1-216-837-91	RES, CHIP 22K	(1608)	R870	1-216-849-91	RES, CHIP 220K	(1608)	RB314	1-233-681-91	RES, NETWORK 4.7K	(1608)	
R649	1-216-833-91	RES, CHIP 10K	(1608)					RB317	1-233-423-21	RES, CHIP NETWORK 47	(3216)	
				R871	1-218-896-91	RES, CHIP 110K	(1608)	RB318	1-233-423-21	RES, CHIP NETWORK 47	(3216)	
R650	1-216-833-91	RES, CHIP 10K	(1608)	R872	1-216-844-91	RES, CHIP 82K	(1608)	RB319	1-233-423-21	RES, CHIP NETWORK 47	(3216)	
R651	1-216-835-91	RES, CHIP 15K	(1608)	R873	1-216-839-91	RES, CHIP 33K	(1608)					
R653	1-216-845-91	RES, CHIP 100K	(1608)	R874	1-216-828-91	RES, CHIP 3.9K	(1608)	RB320	1-233-423-21	RES, CHIP NETWORK 47	(3216)	
R654	1-216-845-91	RES, CHIP 100K	(1608)	R875	1-216-023-91	RES, CHIP 82	(2012)	RB321	1-233-423-21	RES, CHIP NETWORK 47	(3216)	
R657	1-216-839-91	RES, CHIP 33K	(1608)					RB322	1-233-412-21	RES, CHIP NETWORK 1.0K	(3216)	
				R876	1-216-023-91	RES, CHIP 82	(2012)	RB323	1-233-412-21	RES, CHIP NETWORK 1.0K	(3216)	
R658	1-216-833-91	RES, CHIP 10K	(1608)	R877	1-216-023-91	RES, CHIP 82	(2012)	RB324	1-233-412-21	RES, CHIP NETWORK 1.0K	(3216)	
R660	1-216-833-91	RES, CHIP 10K	(1608)	R878	1-216-023-91	RES, CHIP 82	(2012)					
R661	1-216-833-91	RES, CHIP 10K	(1608)	R879	1-216-023-91	RES, CHIP 82	(2012)	RB325	1-233-412-21	RES, CHIP NETWORK 1.0K	(3216)	
R667	1-216-861-91	RES, CHIP 2.2M	(1608)	R880	1-216-023-91	RES, CHIP 82	(2012)	RB326	1-233-412-21	RES, CHIP NETWORK 1.0K	(3216)	
R668	1-216-853-91	RES, CHIP 470K	(1608)					RB327	1-233-415-21	RES, CHIP NETWORK 10K	(3216)	
				R881	1-216-023-91	RES, CHIP 82	(2012)	RB328	1-233-414-21	RES, CHIP NETWORK 4.7K	(3216)	
R669	1-216-845-91	RES, CHIP 100K	(1608)	R882	1-216-023-91	RES, CHIP 82	(2012)	RB329	1-233-783-91	RES, NETWORK 22	(1608)	
R670	1-216-833-91	RES, CHIP 10K	(1608)	R901	1-218-937-81	RES, CHIP 47	(1608)					
R671	1-216-827-91	RES, CHIP 3.3K	(1608)	R902	1-218-937-81	RES, CHIP 47	(1608)	RB402	1-233-803-91	RES, NETWORK 1.5K	(1608)	
R672	1-218-888-91	RES, CHIP 51K	(1608)	R974	1-216-801-91	RES, CHIP 22	(1608)	RB403	1-233-789-91	RES, NETWORK 10K	(1608)	
R673	1-216-827-91	RES, CHIP 3.3K	(1608)					RB405	1-233-803-91	RES, NETWORK 1.5K	(1608)	
				R975	1-216-801-91	RES, CHIP 22	(1608)	RB406	1-233-792-91	RES, NETWORK 100K	(1608)	
R674	1-216-845-91	RES, CHIP 100K	(1608)	R984	1-216-864-91	CONDUCTOR, CHIP	(1608)	RB408	1-233-415-21	RES, CHIP NETWORK 10K	(3216)	
R675	1-216-839-91	RES, CHIP 33K	(1608)									
R678	1-216-829-91	RES, CHIP 4.7K	(1608)	RB101	1-234-496-21	ARRAY, RESISTOR 39		RB409	1-233-415-21	RES, CHIP NETWORK 10K	(3216)	
R689	1-216-845-91	RES, CHIP 100K	(1608)	RB102	1-234-496-21	ARRAY, RESISTOR 39		RB410	1-233-415-21	RES, CHIP NETWORK 10K	(3216)	
R694	1-216-835-91	RES, CHIP 15K	(1608)	RB103	1-234-496-21	ARRAY, RESISTOR 39		RB511	1-233-423-21	RES, CHIP NETWORK 47	(3216)	
				RB104	1-234-496-21	ARRAY, RESISTOR 39		RB517	1-233-575-21	RES, CHIP NETWORK 22		
R696	1-216-846-91	RES, CHIP 120K	(1608)	RB105	1-234-496-21	ARRAY, RESISTOR 39		RB518	1-233-575-21	RES, CHIP NETWORK 22		
R698	1-216-835-91	RES, CHIP 15K	(1608)									
R699	1-216-833-91	RES, CHIP 10K	(1608)	RB106	1-234-496-21	ARRAY, RESISTOR 39		RB519	1-233-575-21	RES, CHIP NETWORK 22		
R700	1-216-864-91	CONDUCTOR, CHIP	(1608)	RB107	1-233-575-21	RES, CHIP NETWORK 22		RB520	1-233-575-21	RES, CHIP NETWORK 22		
R801	1-216-864-91	CONDUCTOR, CHIP	(1608)	RB108	1-233-575-21	RES, CHIP NETWORK 22		RB521	1-233-575-21	RES, CHIP NETWORK 22		
				RB109	1-233-575-21	RES, CHIP NETWORK 22		RB522	1-233-575-21	RES, CHIP NETWORK 22		
R802	1-216-864-91	CONDUCTOR, CHIP	(1608)	RB110	1-233-575-21	RES, CHIP NETWORK 22		RB523	1-233-575-21	RES, CHIP NETWORK 22		
R803	1-216-864-91	CONDUCTOR, CHIP	(1608)									
R804	1-216-864-91	CONDUCTOR, CHIP	(1608)	RB111	1-233-575-21	RES, CHIP NETWORK 22		RB524	1-233-575-21	RES, CHIP NETWORK 22		
R805	1-216-809-91	RES, CHIP 100	(1608)	RB112	1-233-575-21	RES, CHIP NETWORK 22		RB525	1-233-575-21	RES, CHIP NETWORK 22		
R806	1-216-833-91	RES, CHIP 10K	(1608)	RB113	1-233-575-21	RES, CHIP NETWORK 22		RB526	1-233-575-21	RES, CHIP NETWORK 22		
				RB114	1-233-575-21	RES, CHIP NETWORK 22		RB527	1-233-575-21	RES, CHIP NETWORK 22		
R807	1-216-809-91	RES, CHIP 100	(1608)	RB115	1-233-575-21	RES, CHIP NETWORK 22		RB528	1-233-575-21	RES, CHIP NETWORK 22		
R808	1-216-833-91	RES, CHIP 10K	(1608)									
R813	1-216-158-91	RES, CHIP 22	(3216)	RB116	1-233-575-21	RES, CHIP NETWORK 22		RB529	1-233-575-21	RES, CHIP NETWORK 22		
R814	1-216-158-91	RES, CHIP 22	(3216)	RB117	1-233-575-21	RES, CHIP NETWORK 22		RB530	1-233-575-21	RES, CHIP NETWORK 22		
R815	1-216-797-91	RES, CHIP 10	(1608)	RB118	1-233-575-21	RES, CHIP NETWORK 22		RB531	1-233-575-21	RES, CHIP NETWORK 22		
				RB119	1-233-575-21	RES, CHIP NETWORK 22		RB532	1-233-575-21	RES, CHIP NETWORK 22		
R816	1-216-158-91	RES, CHIP 22	(3216)	RB120	1-233-575-21	RES, CHIP NETWORK 22		RB602	1-233-415-21	RES, CHIP NETWORK 10K	(3216)	

Ref.	Part No.	Description	
		SUPPLIED ACCESSORIES	PLACE CODE #23
		*****	
△ AC	1-751-115-21	CORD, POWER	SCPH-30003D'
MC	3-066-441-11	MASTER CARTON, 3 SETS	SCPH-30003D'
△ AC	1-575-131-82	CORD, POWER	SCPH-30004D'
MC	3-066-441-01	MASTER CARTON, 3 SETS	SCPH-30004D'
CONV	1-573-291-12	CONNECTOR, CONVERSION	
AV	1-792-028-11	CORD, CONNECTION	
CONT	1-792-238-72	CORD, CONNECTION	
SH	3-060-494-01	SHEET, PROTECTION	
CU	3-064-714-01	CUSHION	
PA	3-065-172-01	PAD, TOGETHER PACKING	
CA	3-066-440-12	INDIVIDUAL CARTON	
		MANUAL BLOCK ASSY	PLACE CODE #23
		*****	
RE	3-066-159-02	CARD (B), OWNER REGISTRATION	
			for SCPH-30003D'
DISC	3-066-725-02	DISK, DEMONSTRATION	for SCPH-30003D'
IN	3-068-129-12	INSTRUCTION	for SCPH-30003D'
IM	3-068-537-32	MANUAL, INSTRUCTION	for SCPH-30003D'
SE	3-987-375-02	SEAL, SEAL	for SCPH-30003D'
RE	3-066-160-03	CARD (C), OWNER REGISTRATION	
			for SCPH-30004D'
IN	3-068-130-13	INSTRUCTION	for SCPH-30004D'
IM	3-068-537-42	MANUAL, INSTRUCTION	for SCPH-30004D'
IM	3-068-537-52	MANUAL, INSTRUCTION	for SCPH-30004D'

\*\*\*\*\*

Ref. Part No. Description

Ref. Part No. Description

Ref. Part No. Description





SCPH-30001D  
SCPH-30002D  
SPCH-30003D  
SPCH-30004D

# SCPH30000 series SERVICE MANUAL

3rd edition

for D type MD and CONSOLE structure only

PlayStation®2



Sony Computer Entertainment Inc.  
Customer Service Department  
Published in Japan c2.2001 9-927-086-03

## NOTICE

This service manual published ©2.2001 by Sony Computer Entertainment Inc.. All right received. Reproduction and distribution without the permission of Sony Computer Entertainment Inc. is strictly prohibited. Commercial use or Rental prohibited. This service manual is the proprietary property of Sony Computer Entertainment Inc.. It's use is authorized person who work for PlayStation®2 only.

## REVISIONS

Design and Specification are subject to change without notice.

## CAUTION

This use of optical instruments with this product will increase eye Hazard. As the laser beam used in this PlayStation®2 is harmful to eyes do not attempt to disassemble the cabinet. Refer servicing to qualified personnel only.

## WARNING!!

WHEN SERVICING, DO NOT APPROACH THE LASER EXIT WITH THE EYE TOO CLOSELY. IN CASE IT IS NECESSARY TO CONFIRM LASER BEAM EMISSION, BE SURE TO OBSERVE FROM A DISTANCE OF MORE THAN 25 CM FROM THE SURFACE OF THE OBJECTIVE LENS ON THE OPTICAL PICK-UP BLOCK.

## CAUTION for electric shock

When power is ON, Don't touch to Power block, AC-inlet, Power switch and so on, not to get an electric shock at repair.

## CAUTION for burning

When current is supplied, Some of part surface temperature like EE, GS, Regulator-IC, Power supply, Optical device and so on. These part surface is become high temperature condition. When it repair, Don't touch them at a time during it surface is high temperature condition to take prevent against burning. Do repair after it is cooled down enough.

## NOTIFICATION for environmental assessment

This model is CR2032 lithium battery on board inside on the GB003 as timer back-up power. CR2032 life may be about 5-8 years so you have very few need for changing to new one. But if you have necessary to new one or disassemble for scrapping, you have to keep your to country low, regulation, standard, etc. of environmentl assess-ment and safety.

## CAUTION

Danger of explosion if battery is incorrectly replaced. Replace only with the same or equivalent type recommended by the manufacturer. Discard used batteries according to the manufacturer's instruction.

## ADVARSEL!

Lithiumbatteri-Eksplosionsfare ved fejlagtig håndtering. Udskiftning må kun ske med batteri af samme fabrikat og type. levér det brugte batteri tilbage til leverandøren.

## ADVARSEL

Eksplosjonsfare ved feilaktig skifte av batteri. Benytt samme batteritype eller en tilsvarende type anbefalt av apparatfabrikanten. Brukte batterier kasseres i henhold til fabrikantens instruksjoner.

## VARNING

Explosionsfara vid felaktigt batteribyte. använt samme batterityp eller en ekvivalent typ som rekommenderas av apparattillverkaren. Kassera använt batteri enligt fabrikantens instruktion.

## VAROITUS

Paristo voi räjähtää, jos se on virheellisesti asennettu. Vaihda paristo ainoastaan valmistajan suosittelemaan tyyppiin. Hävitä käytetty paristo valmistajan ohjeiden mukaisesti.

---

## Table of contents

- CONSOLE ..... 3
- MD BLOCK ..... 23

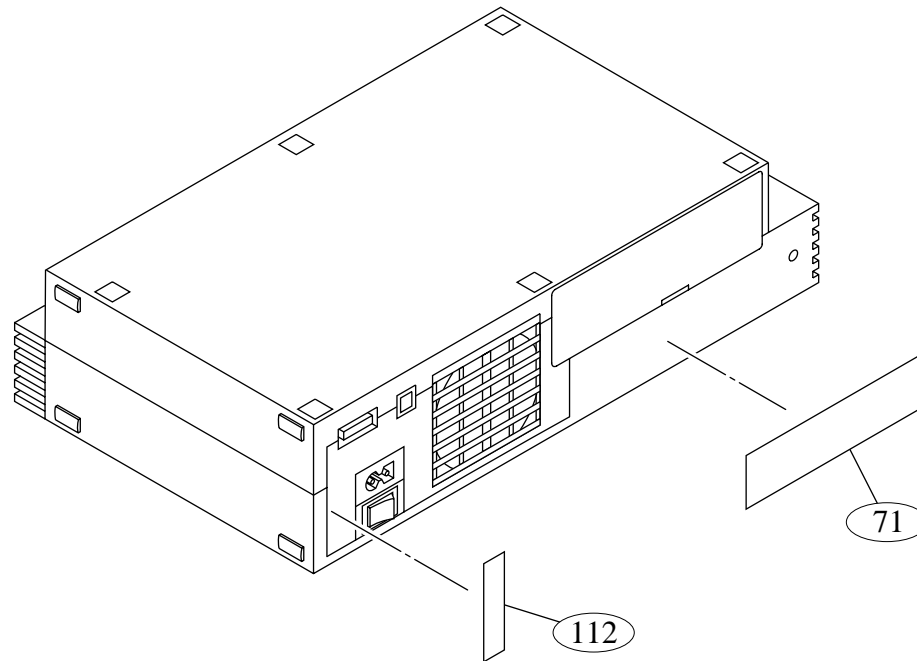
**CAUTION for static electricity**

For disassemble and assemble the console, Don' t charge static electricity on your body and around equipment. Get rid static electricity by grounding your body and around equipment.

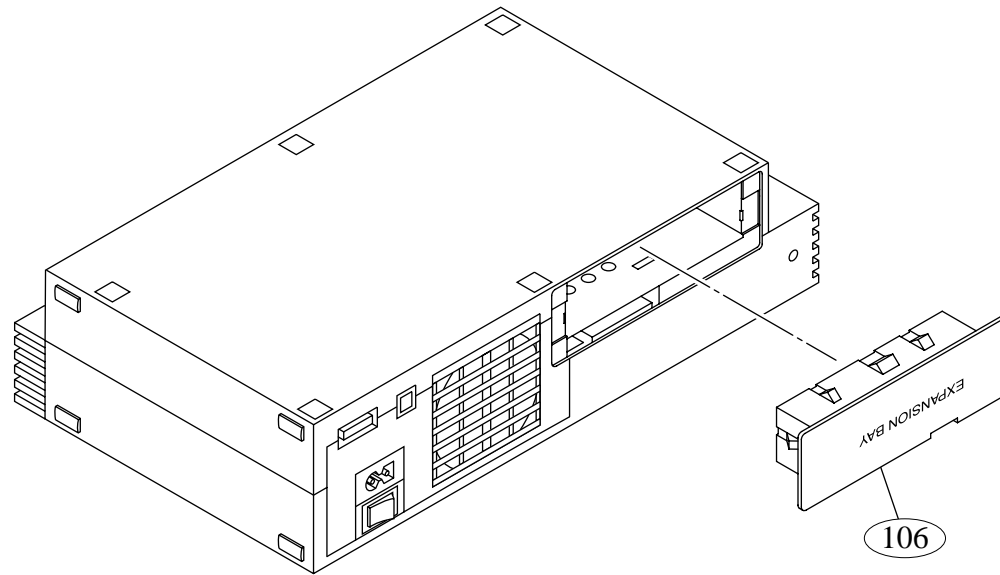
Static electricity will be destroyed key devives like ICs, OPT and etc.

71 LABEL, MODEL NUMBER

112 TAPE, VOID







### CAUTION

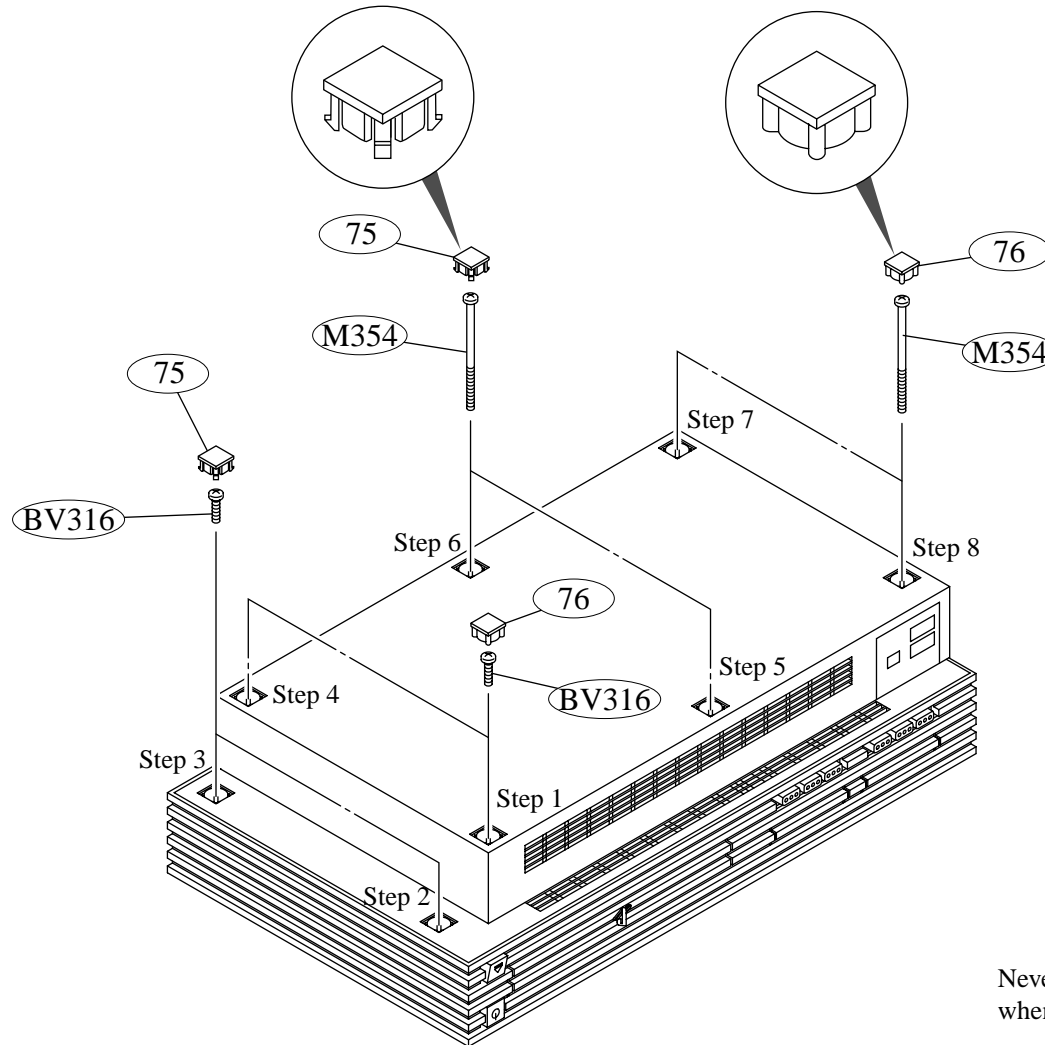
When tighten the BV316 and M354 screws,  
Tighten them in order to the steps shown figure.

75 COVER, SCREW

76 CAP

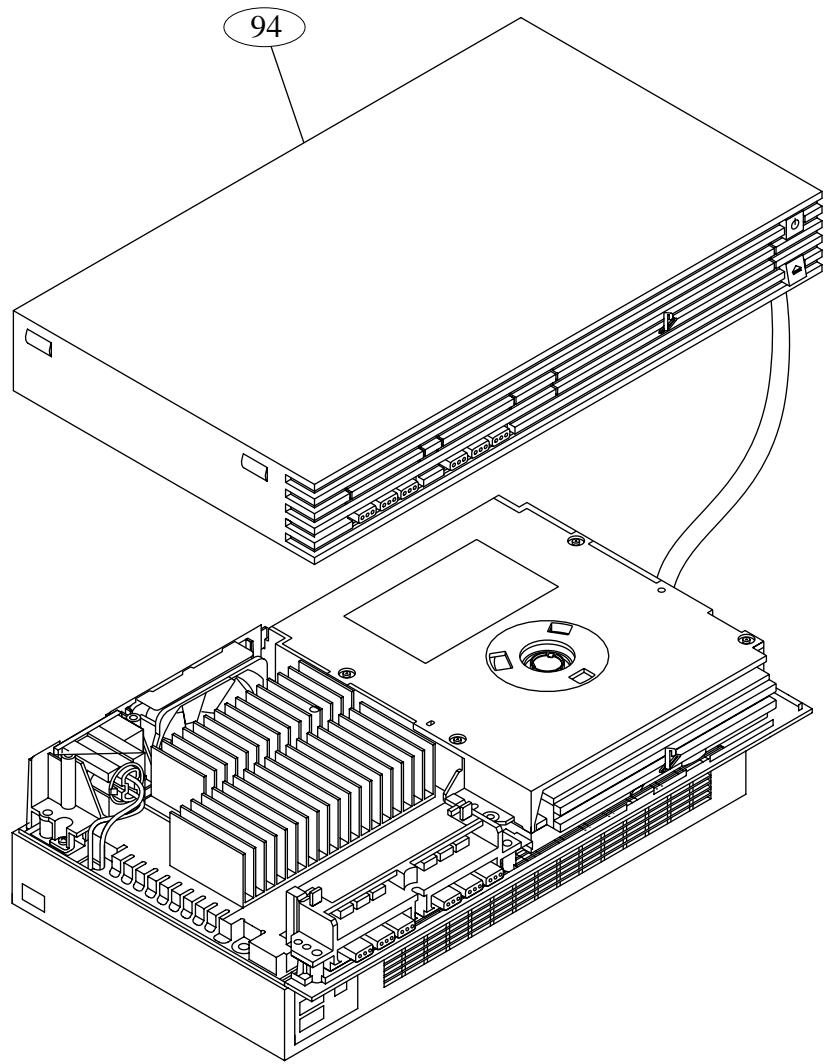
BV316 SCREW (2 LOCK),  
+BV TAPPING

M354 SCREW (M3 X 54),  
HEAD TAPPING



Never scratch for CAPS and SCREW COVERS  
when removing them.

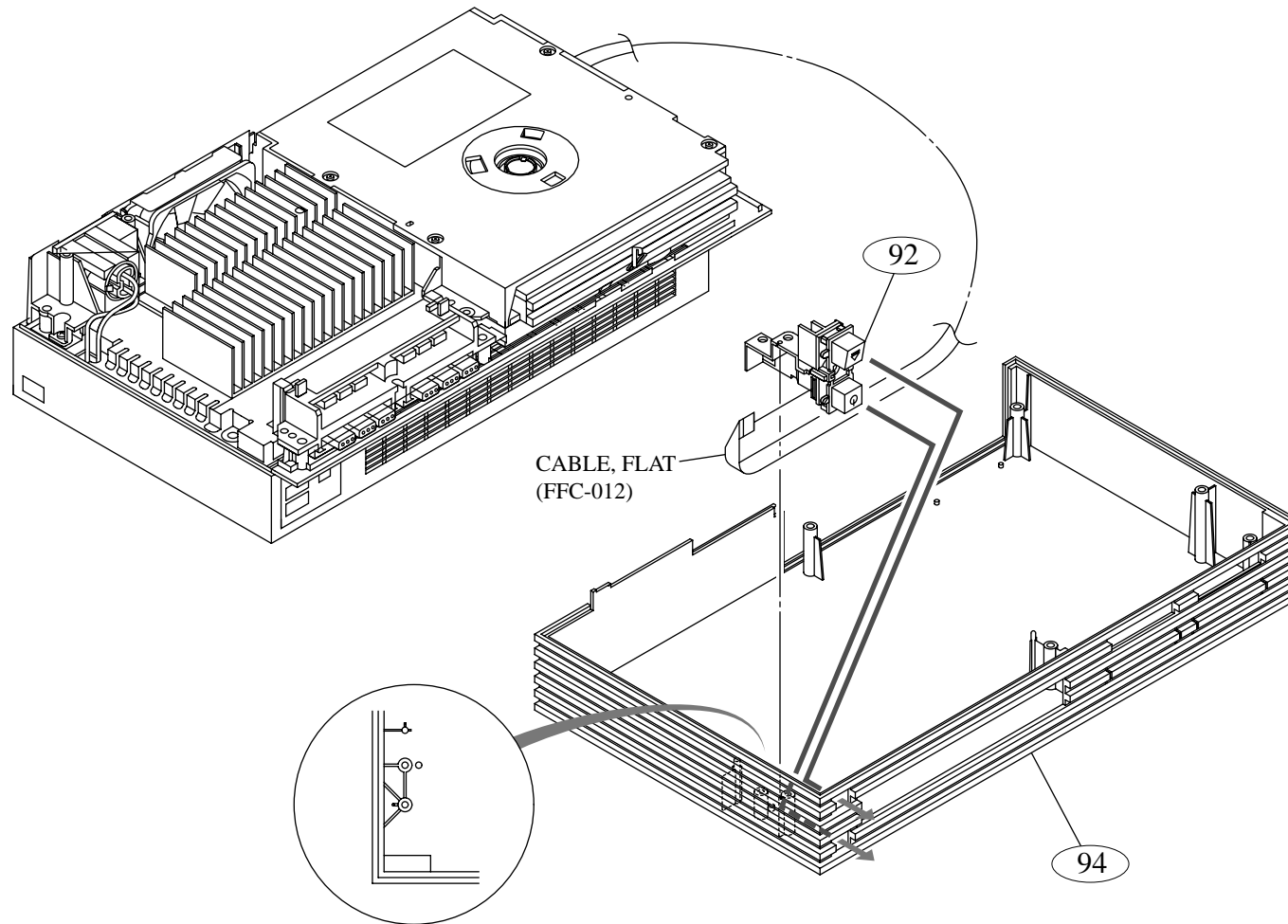
TOOLS : SCREW DRIVER (+ #3)





92 SWITCH BLOCK ASSY

94 UPPER COVER ASSY

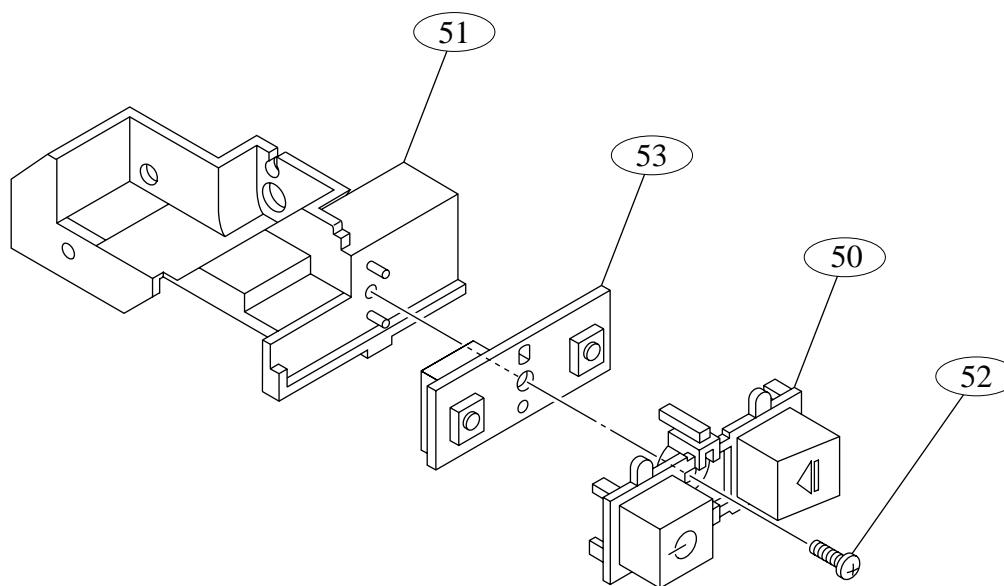


50 BUTTON, SWITCH

51 BRACKET, SWITCH

52 TPG +P 2 X 8,  
TYPE 2, NON-SLIT

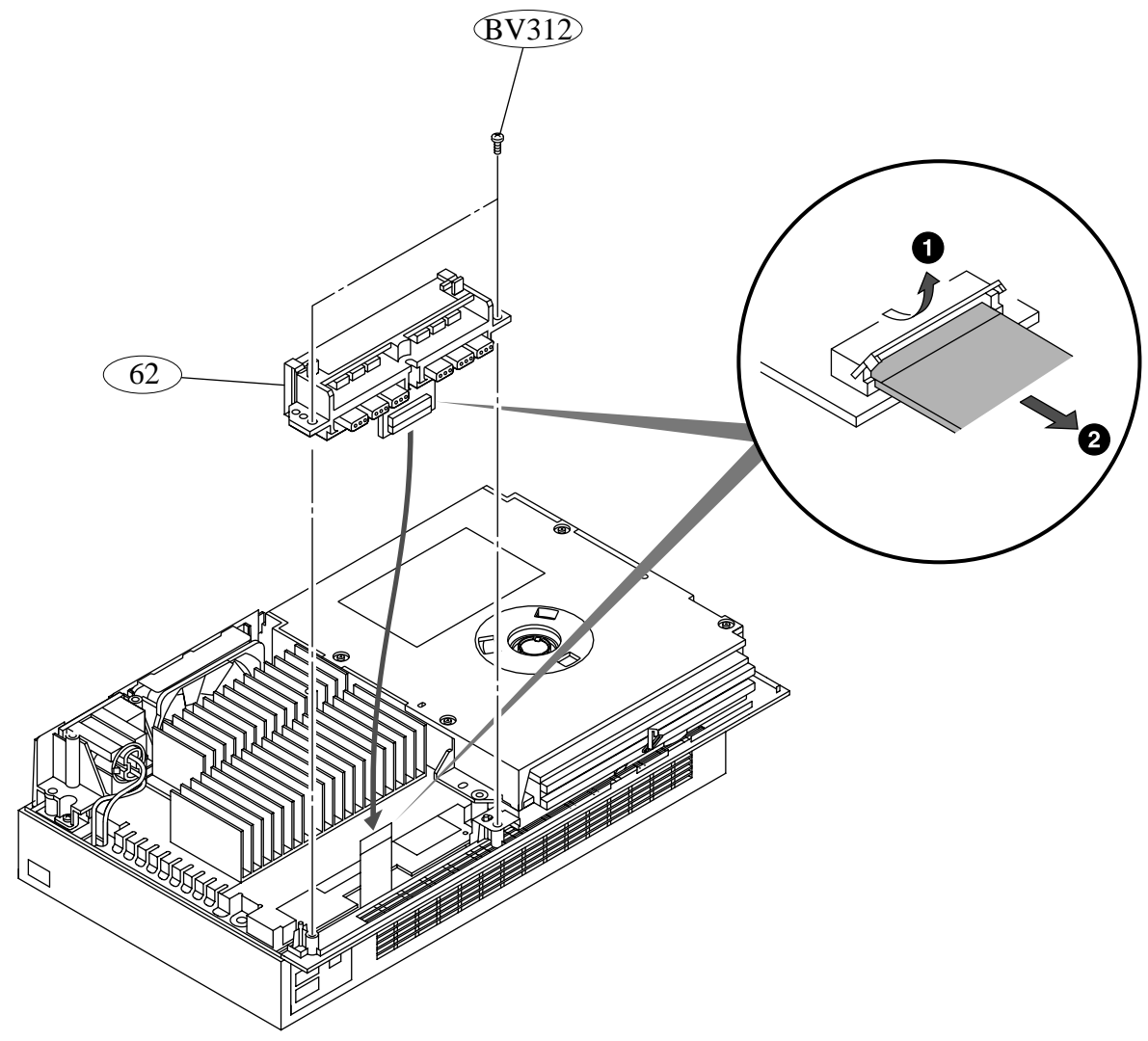
53 SW-358 MOUNT  
SW-363 MOUNT



TOOLS : SCREW DRIVER (+ #0)

62 TERMINAL BOARD  
(FRONT)

BV312 SCREW,  
TAPPING +BV 3 x 12

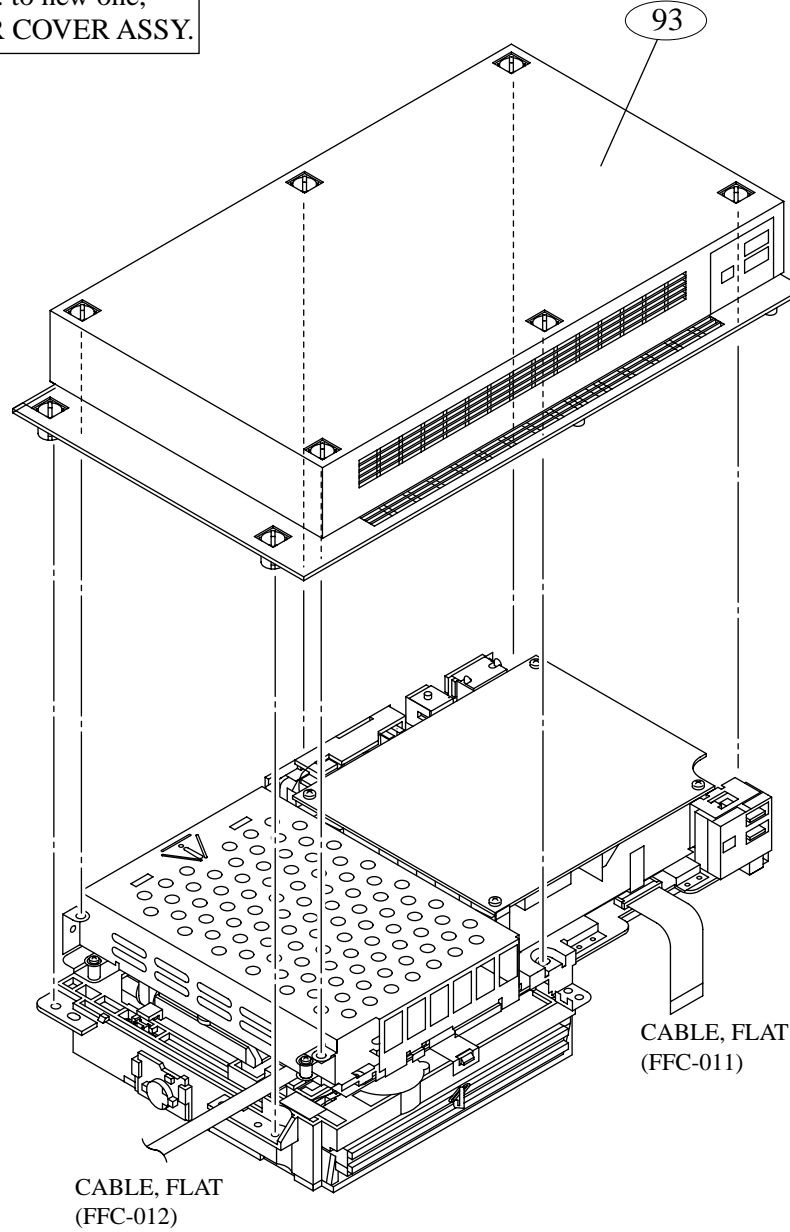


TOOLS : SCREW DRIVER (+ #3)



**CAUTION**

For exchanging the LOWER COVER ASSY. to new one,  
Check the carved seal on surface of LOWER COVER ASSY.

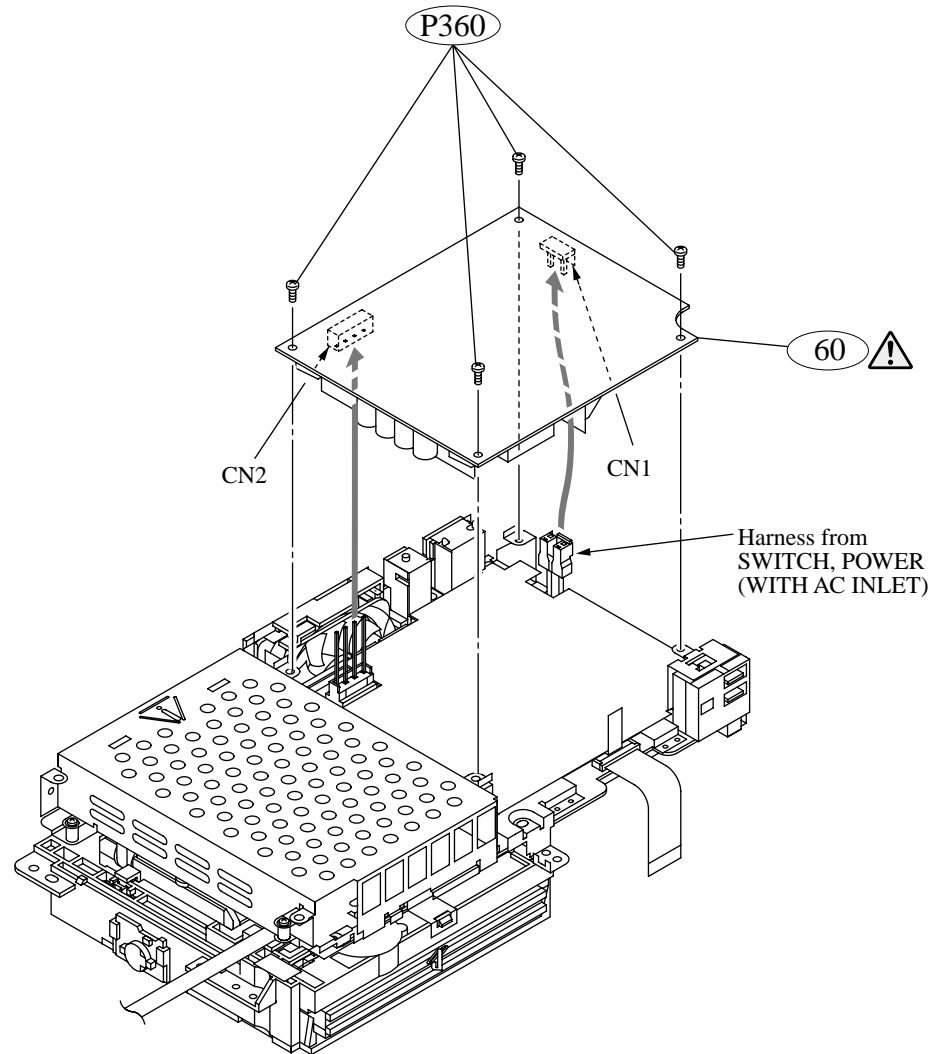


**CAUTION**



Use of controls or adjustments or performance of procedures other than those specified herein may result in hazardous radiation exposure.

 (60) POWER BLOCK

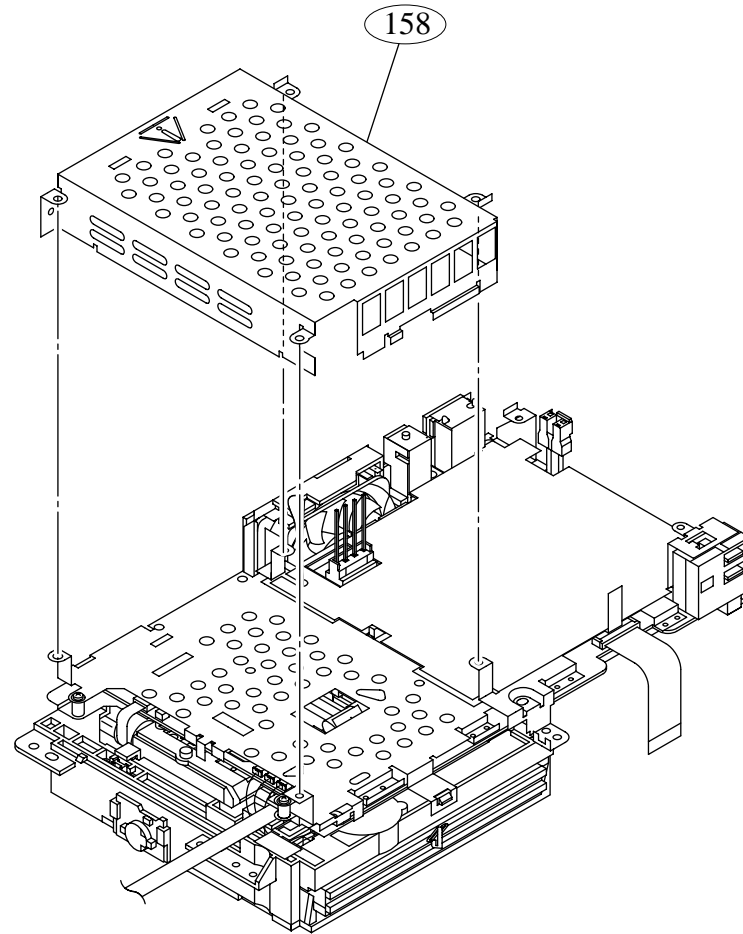
(P360) SCREW +P 3 X 6



**CAUTION**

The components identified by mark  or dotted line with mark.  are critical for safety. Replace only with part number specified.

TOOLS : SCREW DRIVER (+ #3)



**CAUTION**

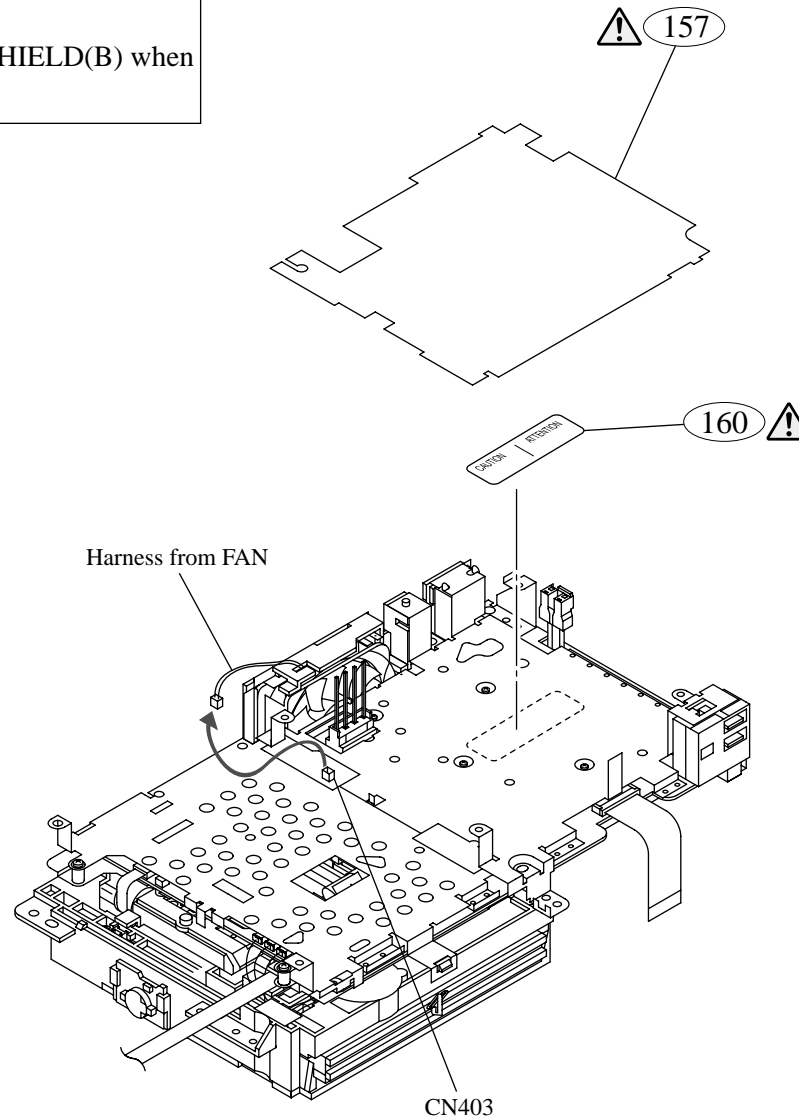
Never lose the fitting of INSULATING SHEET put on the SHIELD(B) when assemble the console.

**CAUTION**

Never lose the fitting of LABELs put on the SHIELD(B) when assemble the console.

⚠ (157) SHEET, INSULATING

⚠ (160) LABEL, CUTION, BARRIER for SCPH-30001

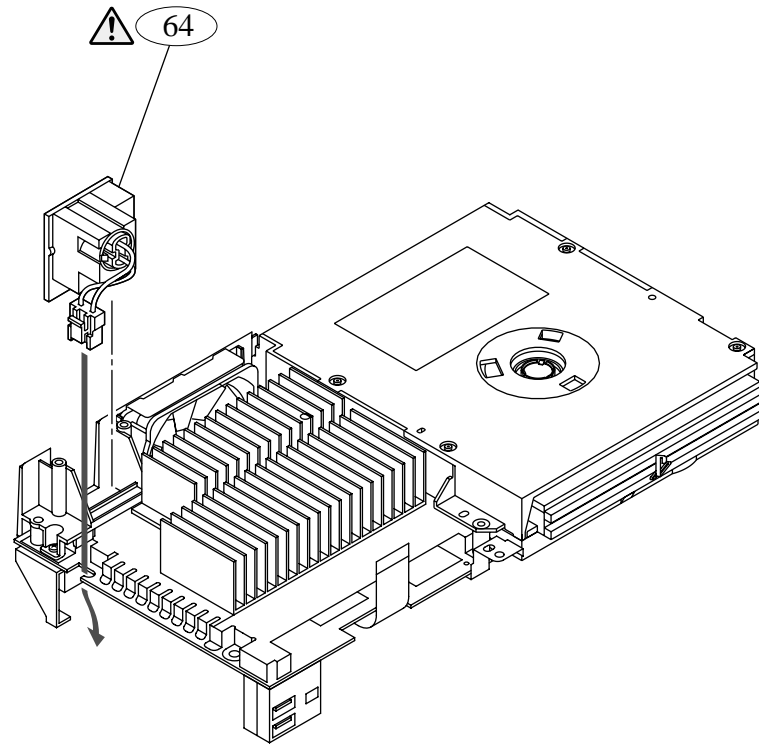


**CAUTION**

The components identified by mark ⚠ or dotted line with mark. ⚠ are critical for safety. Replace only with part number specified.

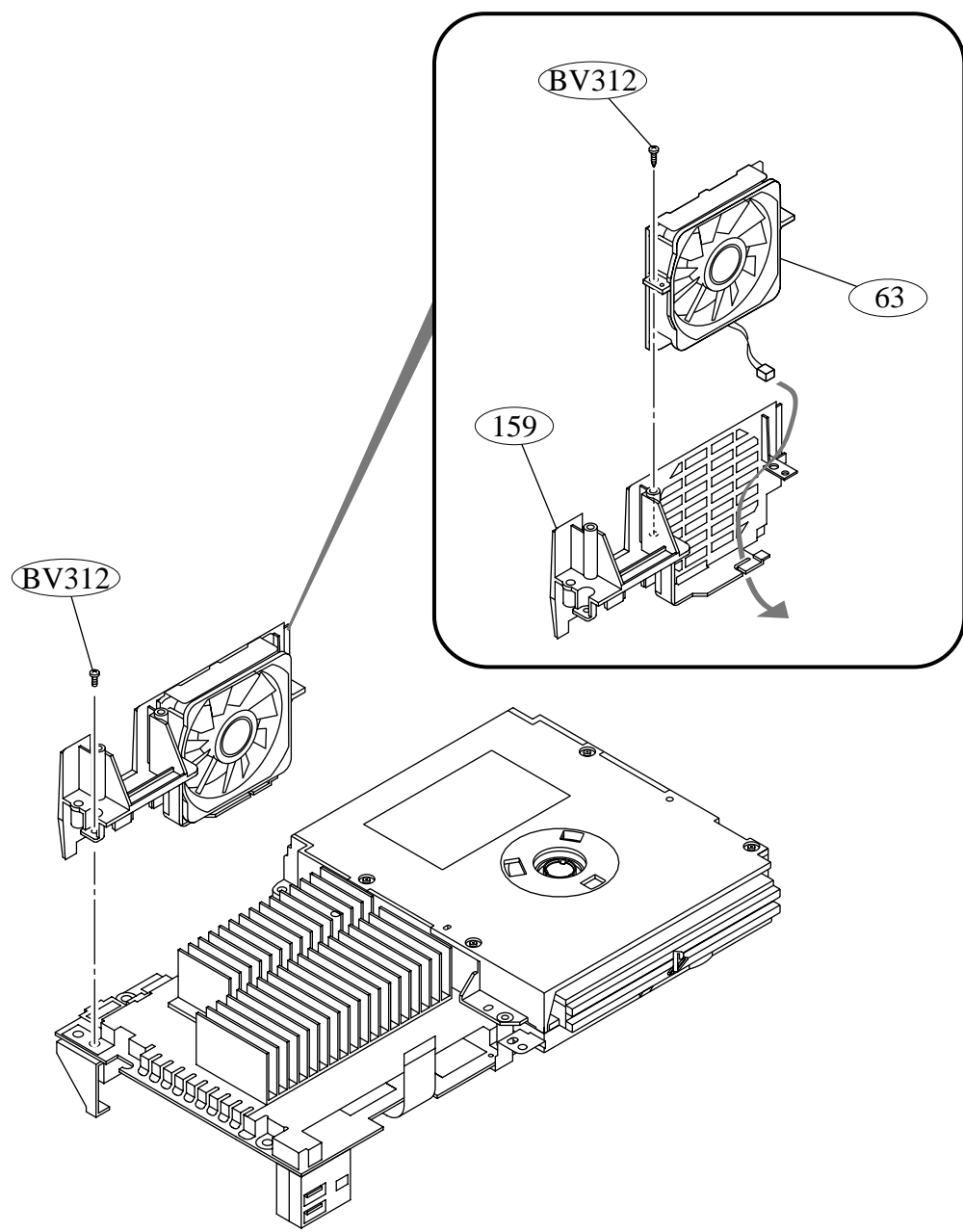


⚠ 64 SWITCH, POWER  
(WITH AC INLET)



**CAUTION**

The components identified by mark ⚠ or dotted line with mark. ⚠ are critical for safety. Replace only with part number specified.

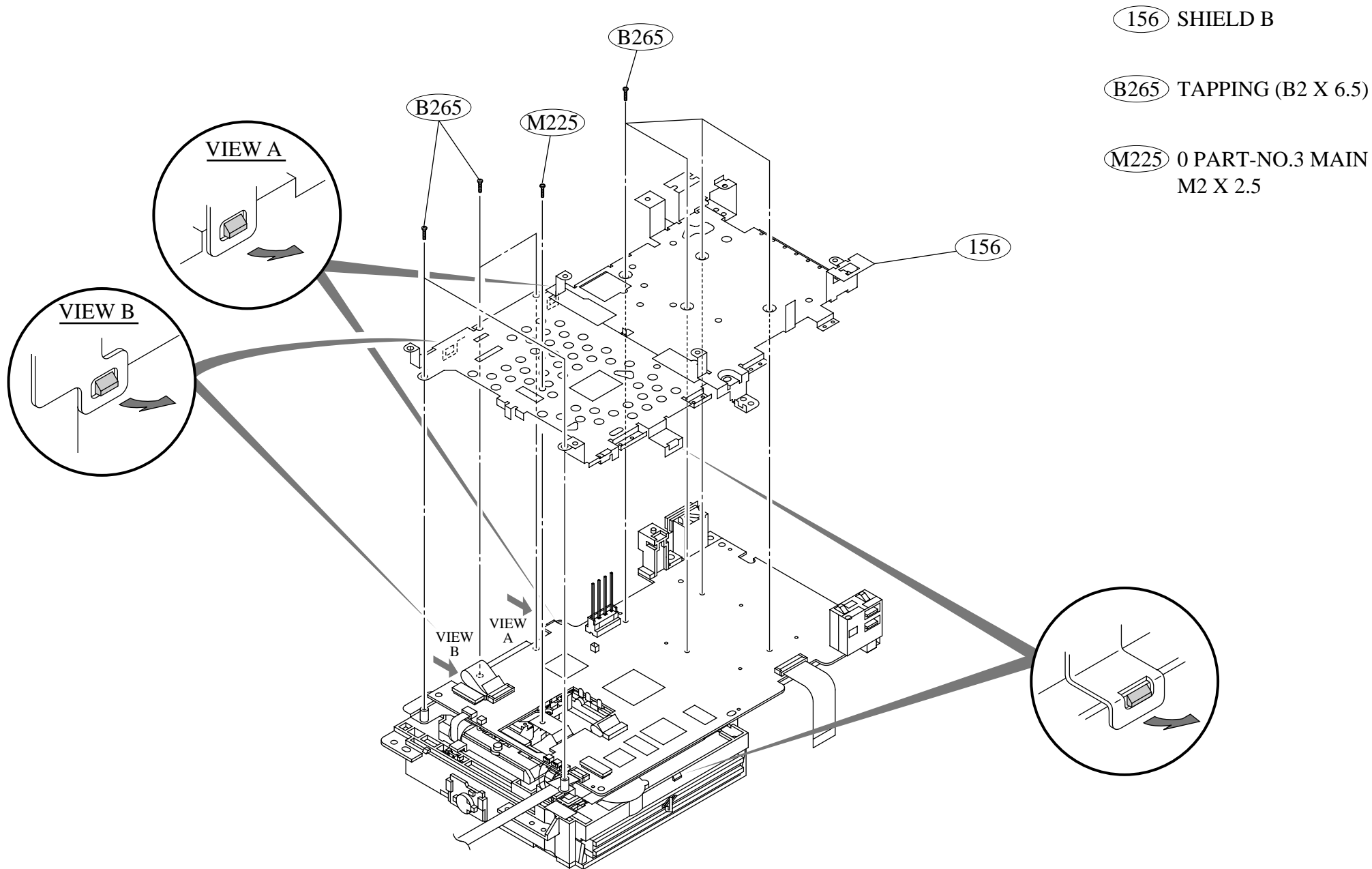


63 DC. FAN

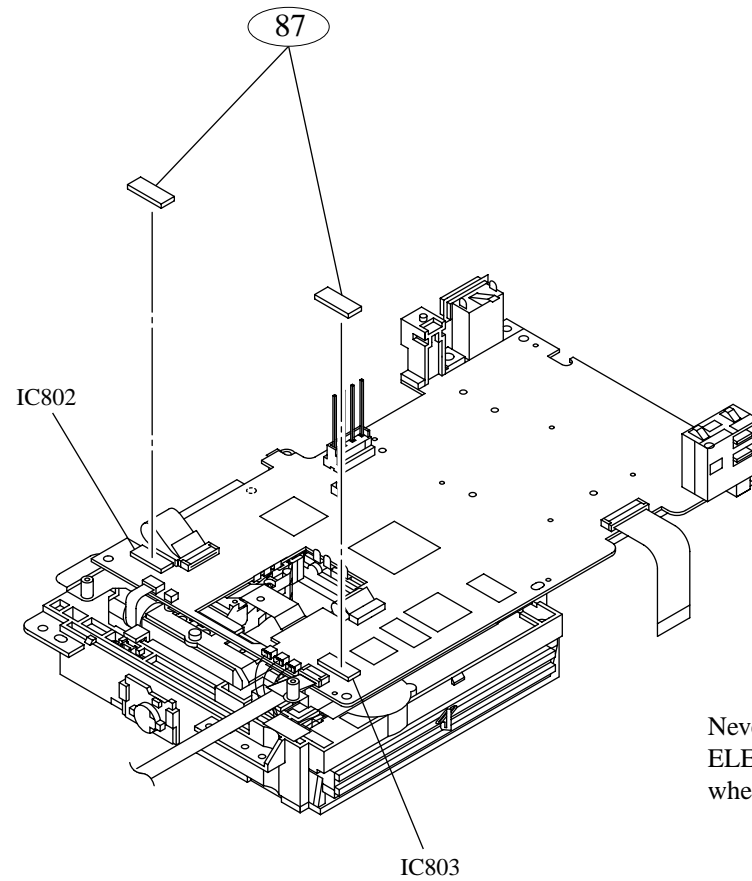
159 PANEL, REAR

BV312 SCREW, TAPPING  
+BV 3 X 12

TOOLS : SCREW DRIVER (+ #3)



TOOLS : SCREW DRIVER (+ #0)



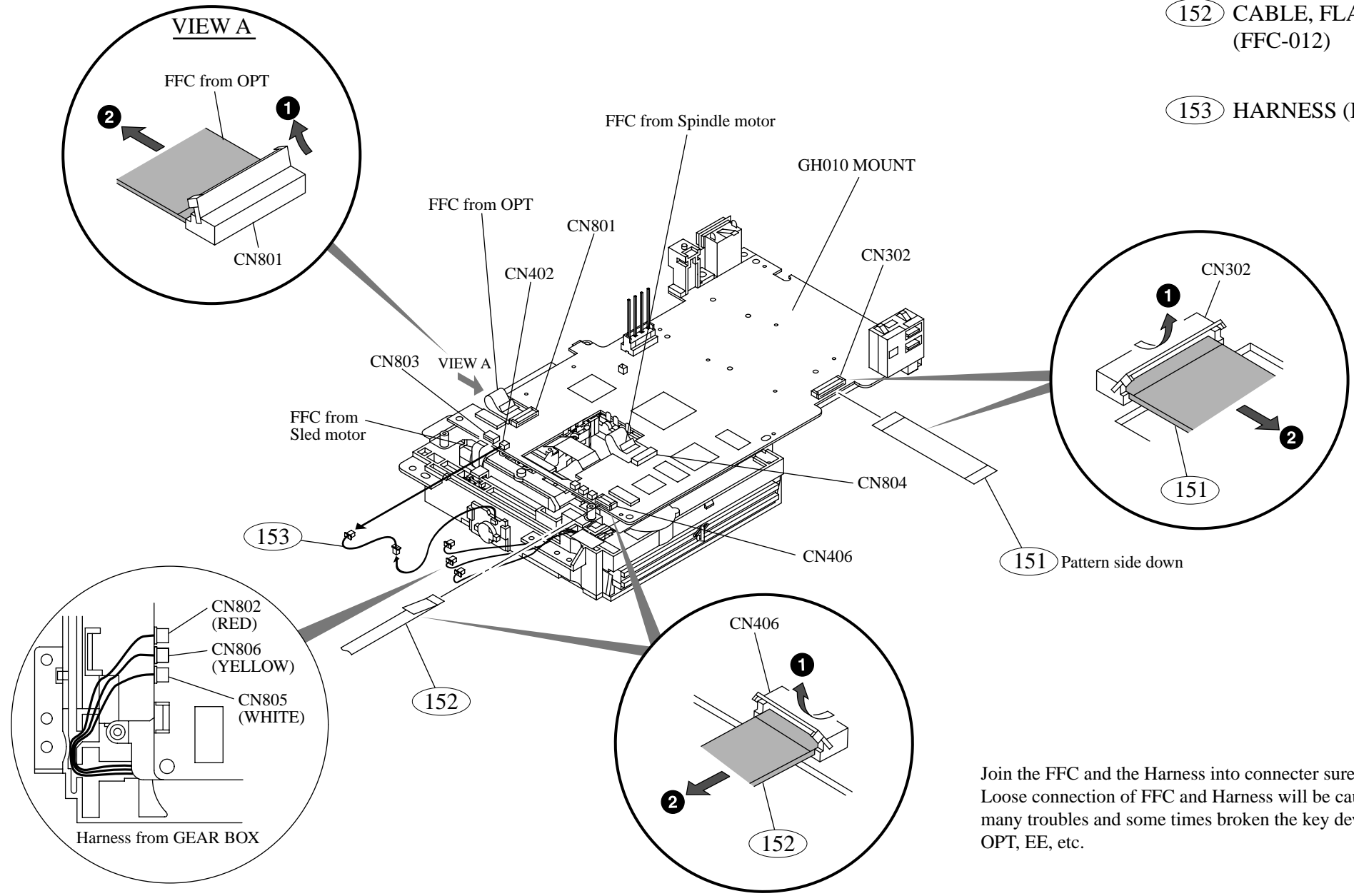
Never lose the fitting of SHEET(DRIVER),  
ELECTRIC HEAT put on the IC802 and IC803  
when assemble the console.



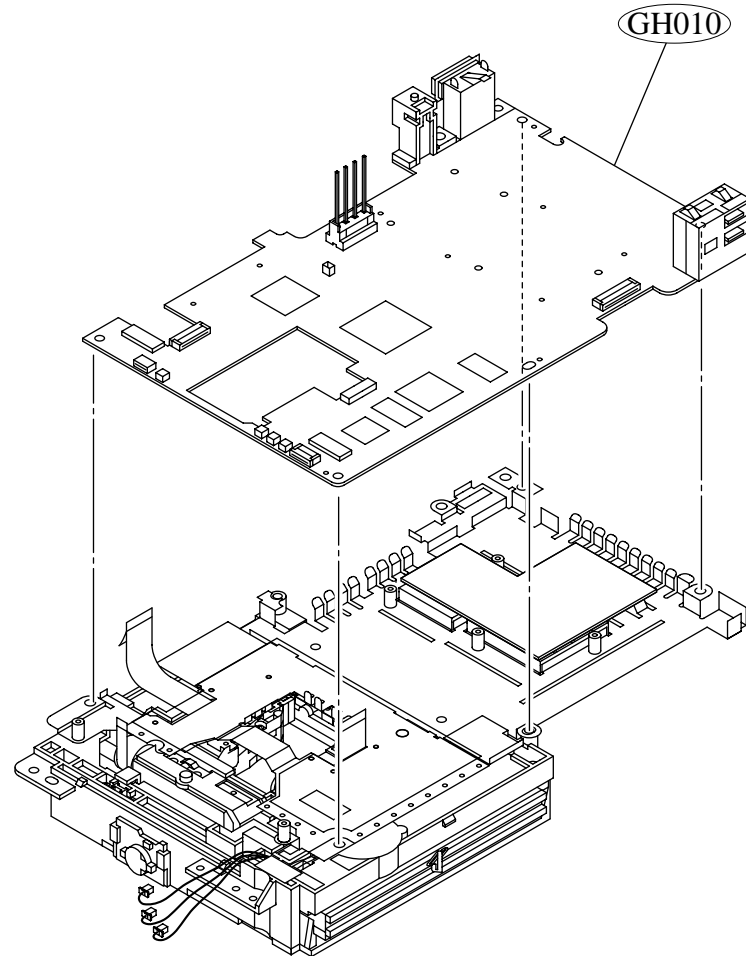
151 CABLE, FLAT (FFC-011)

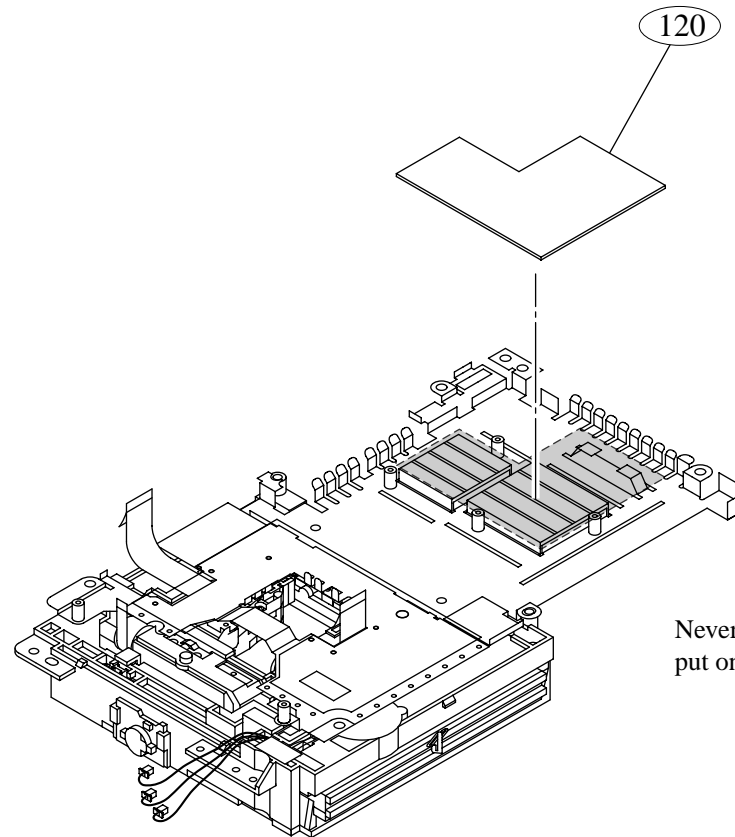
152 CABLE, FLAT (FFC-012)

153 HARNESS (HS-059)



Join the FFC and the Harness into connector sureiy, Loose connection of FFC and Harness will be caused the many troubles and some times broken the key device like OPT, EE, etc.





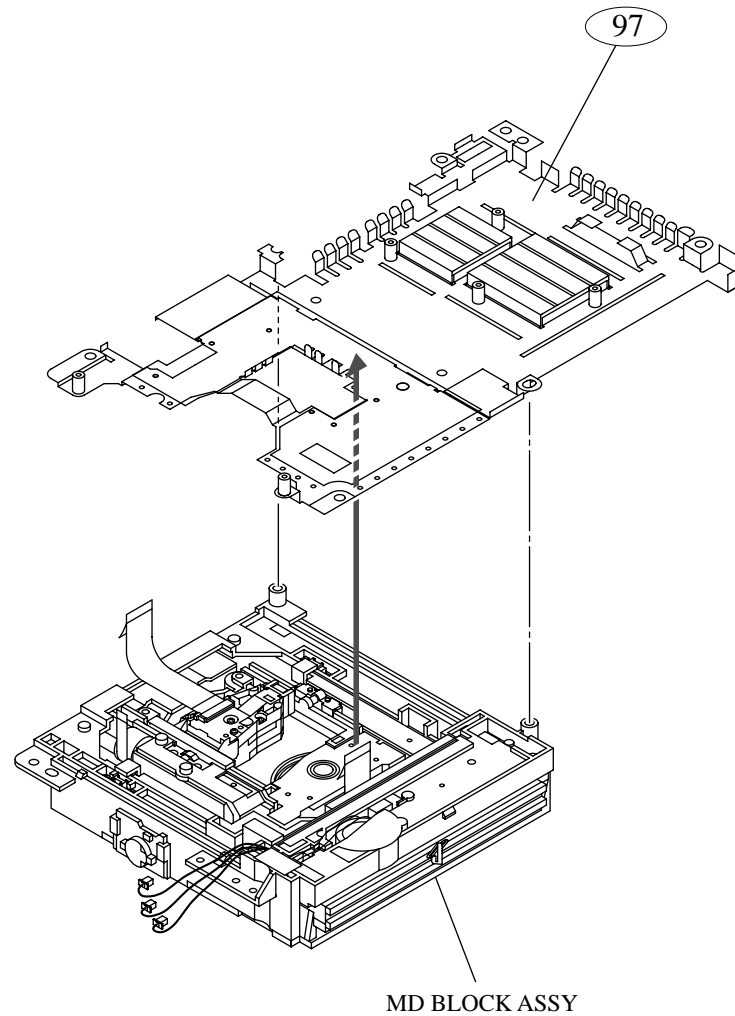
Never lose the fitting SHEET(A) ELECTRIC HEAT  
put on SHIELD(A) ASSY. when assemble the console.



**CAUTION**


Don't touch the OPTICAL DEVICE not to brocken it.

97. SHIELD (A) ASSY

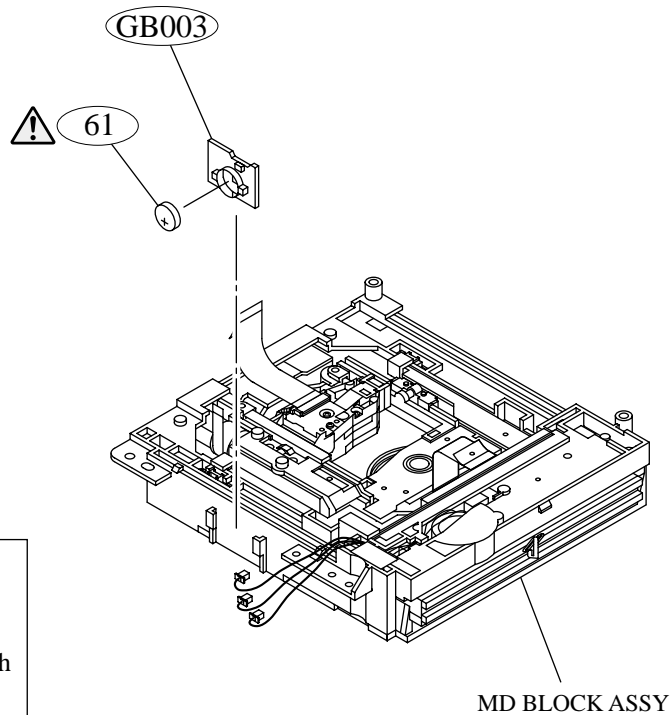


**CAUTION**



For dumping the consumed CR2032 Lithium battery,  
Obey your county law Standard procedures.

 **61** BATTERY, LITHIUM  
(CR2032 TYPE)

**GB003** GB-003/-004 MOUNT



**CAUTION**

The components identified by mark  or dotted line with mark.  are critical for safety. Replace only with part number specified.

**BACK**

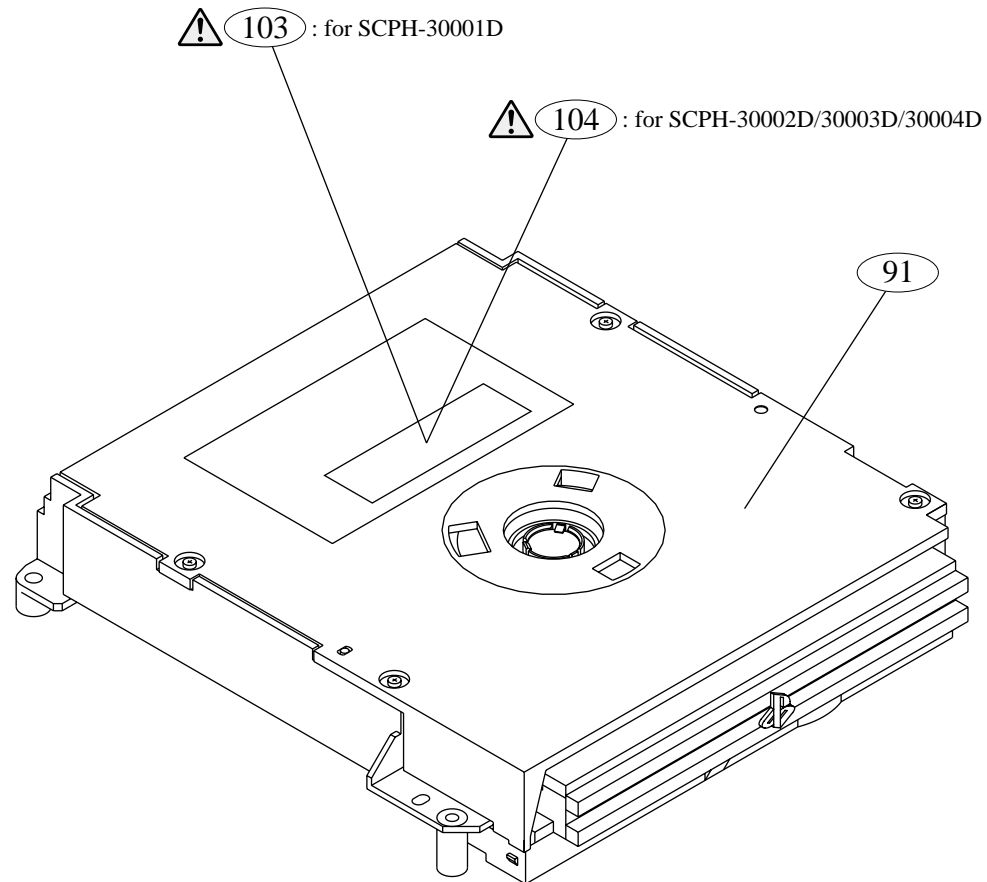
**CAUTION**

PULLEY BRACKET change to new one by repaier  
LABEL has to put on new PULLEY BRACKET due  
to in your country law and standart procedure for safty.

91 MD BLOCK ASSY

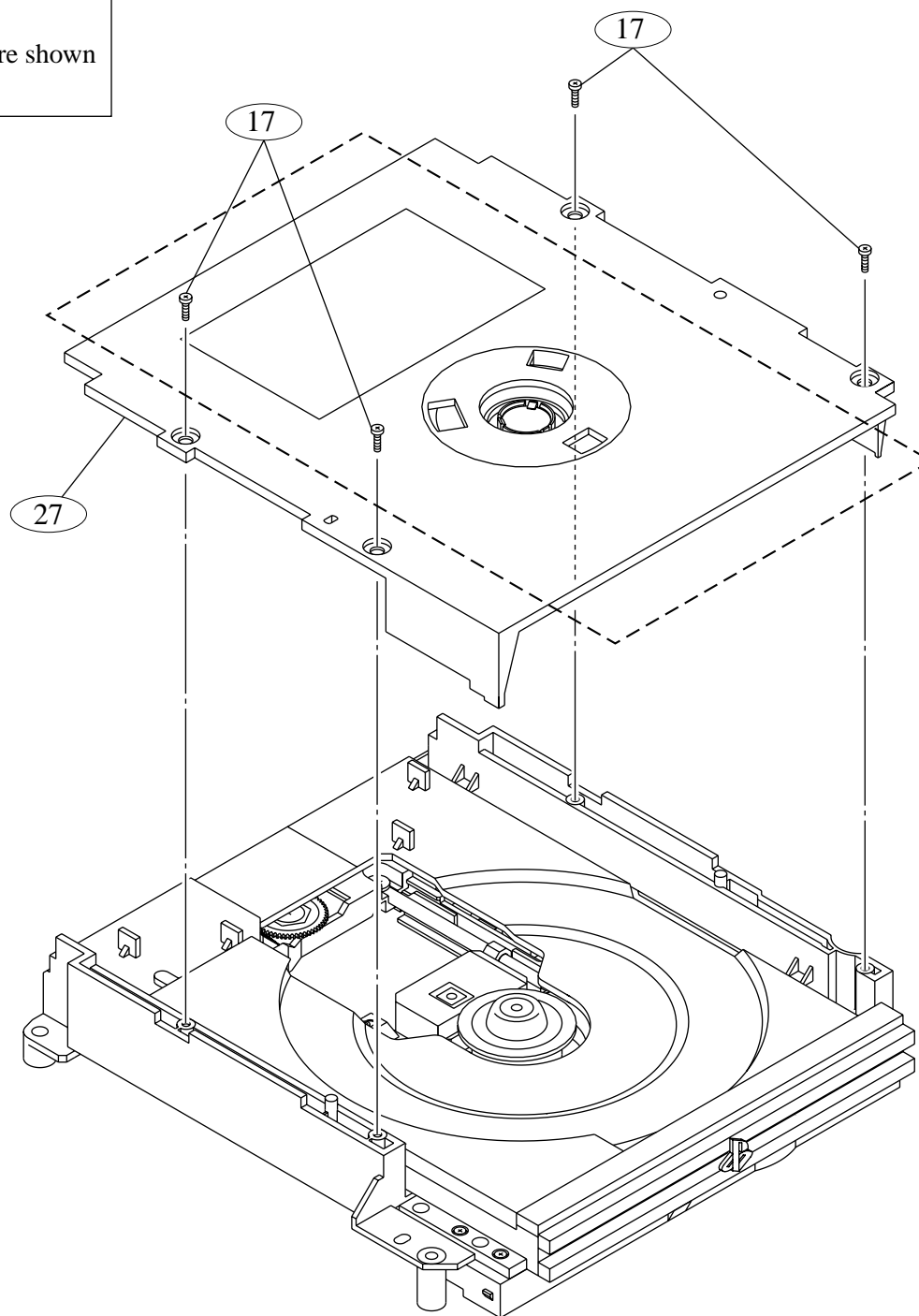
⚠ 103 LABEL, CAUTION

⚠ 104 LABEL, LASER  
CAUTION



**CAUTION**

Don't touch the place surrounded square shown figure when tighten screws.



17 TAPPING (B2 X 6.5)

27 PULLEY,  
BRACKET ASSY

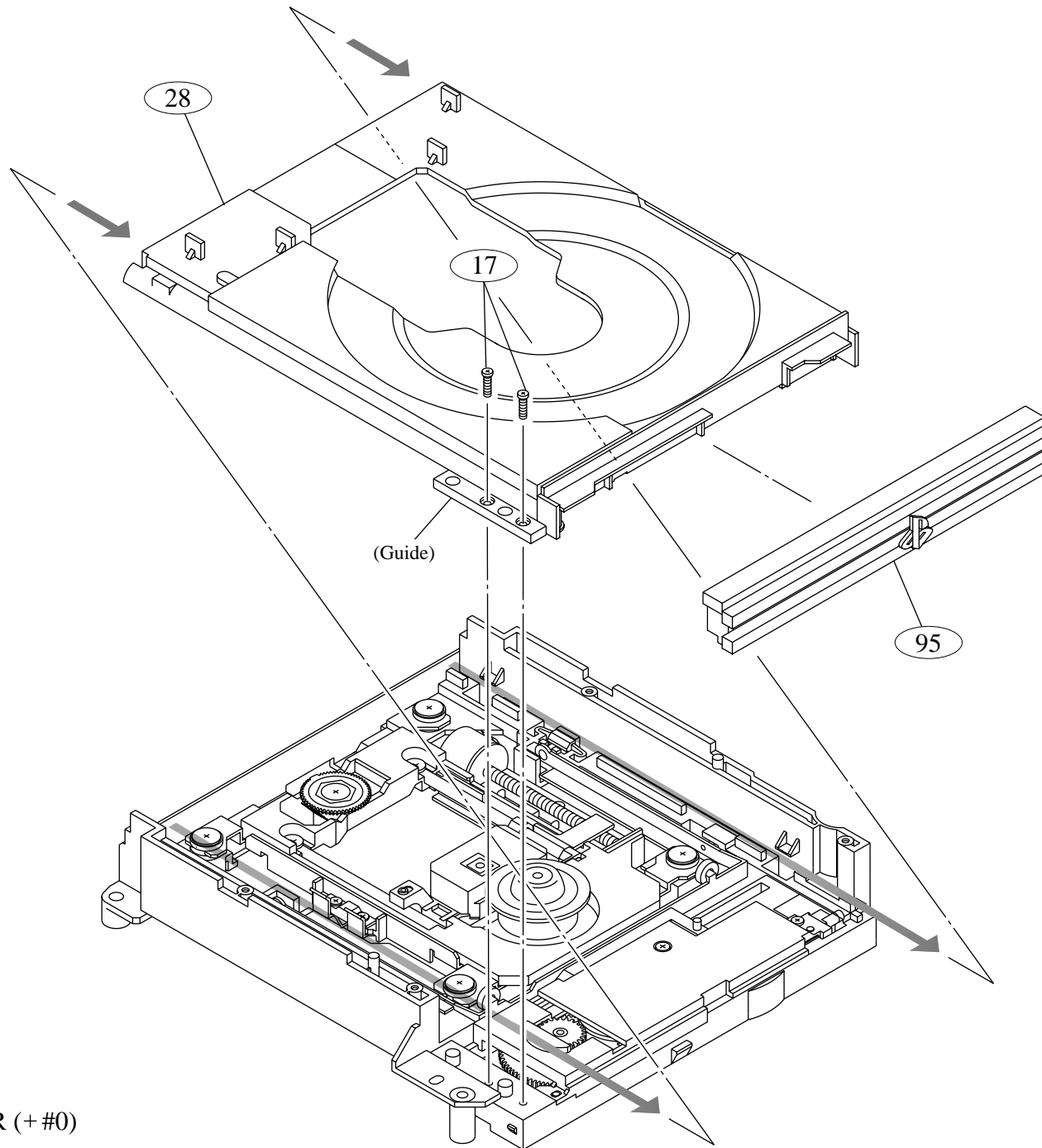
TOOLS : SCREW DRIVER (+ #0)



17 TAPPING (B2 X 6.5)

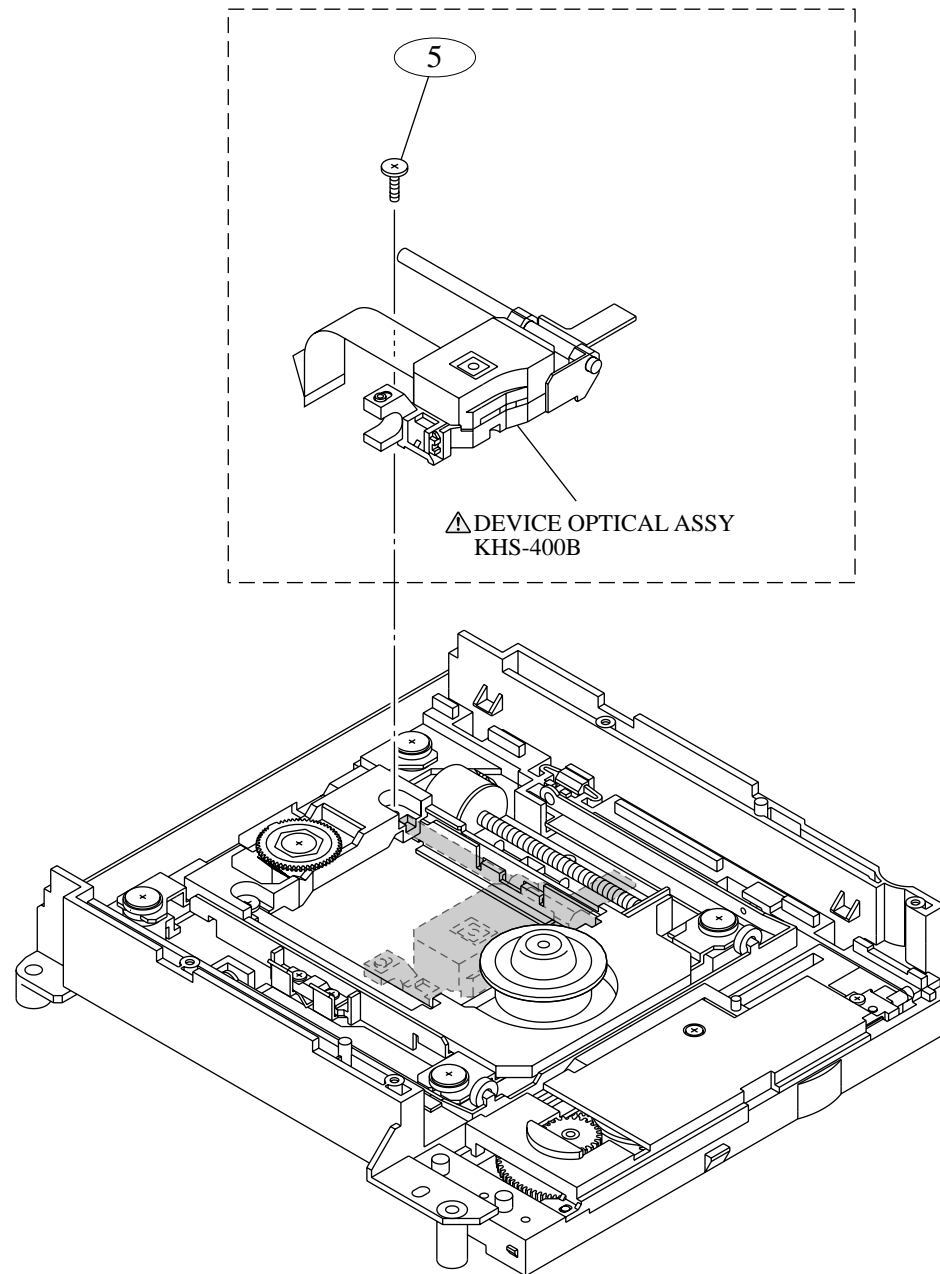
28 TRAY ASSY

95 PLATE ASSY,  
ORNAMENTAL



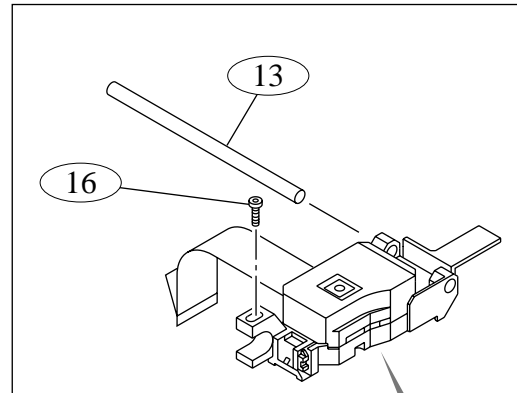
TOOLS : SCREW DRIVER (+ #0)

5 SCREW (B2 X 6.5),  
SHAFT RETAINER



TOOLS : SCREW DRIVER (+ #0)

### TOP SIDE VIEW



④ PWB, FLEXIBLE

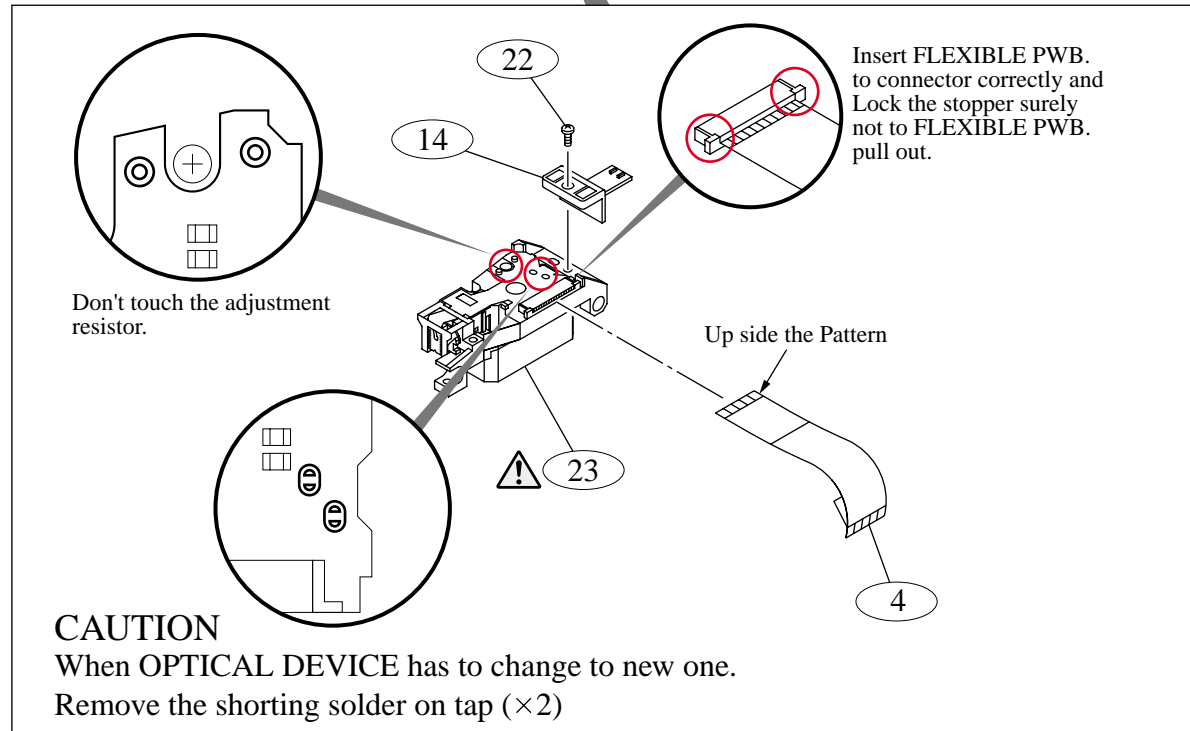
⑬ SHAFT, MAIN

⑭ RACK

⑯ SCREW, SKEW

⑳ 0 PLATE 3 MAIN  
M2 X 3.2

### BOTTOM SIDE VIEW

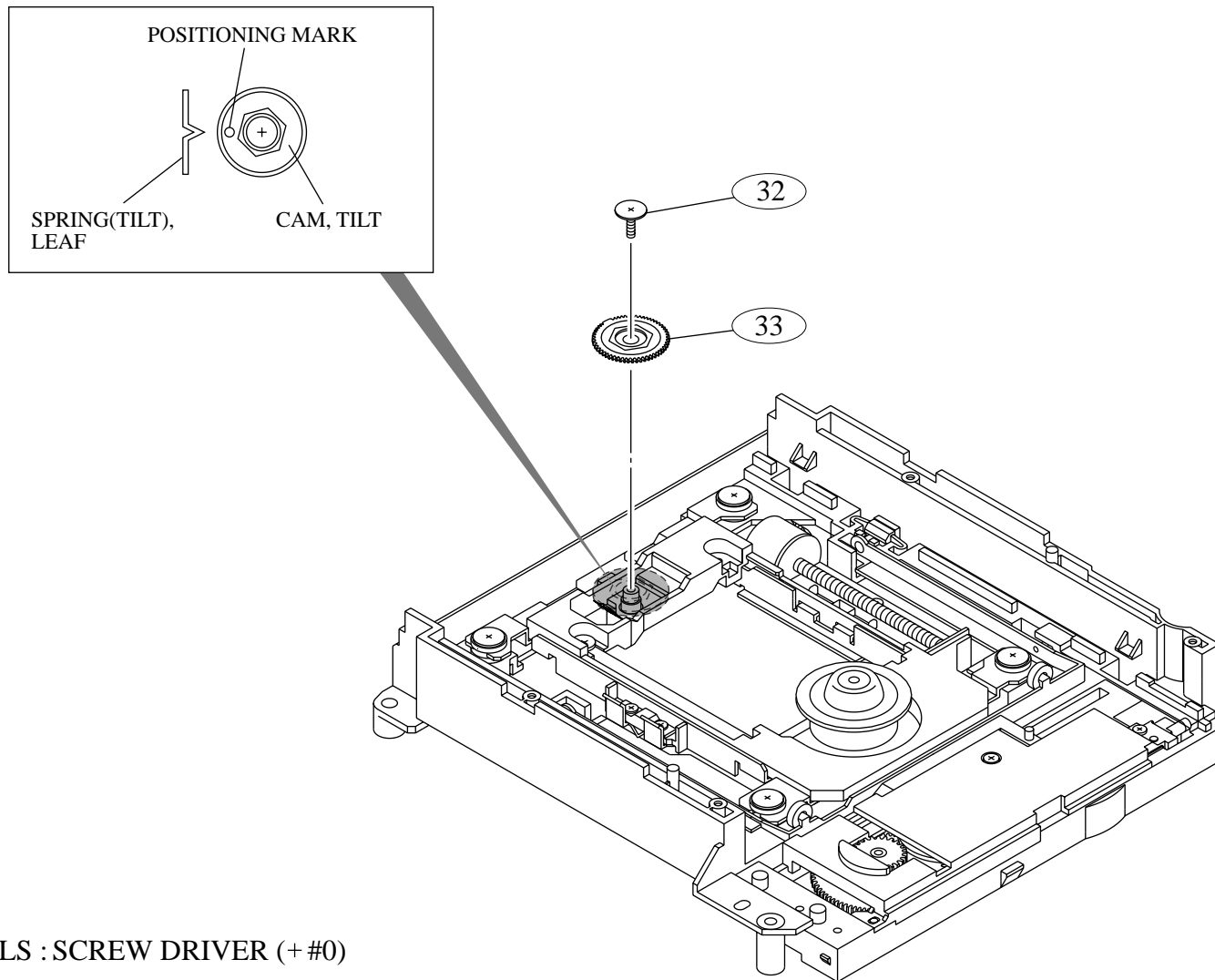


⚠ ㉓ DEVICE, OPTICAL  
KHS-400B

TOOLS : SCREW DRIVER (+ #0)  
HEXAGRAM SCREW DRIVER (T5)

32 SCREW,  
CAM RETAINER

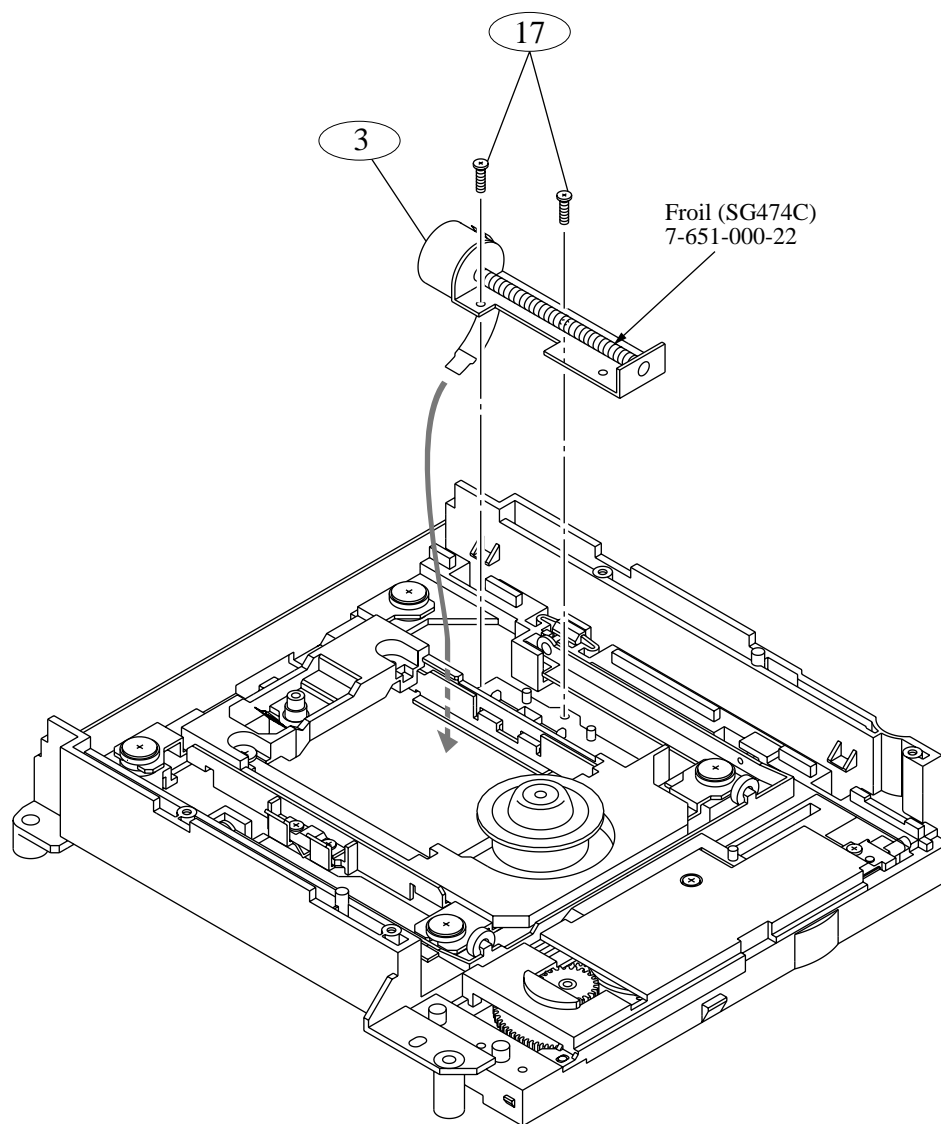
33 CAM, TILT



TOOLS : SCREW DRIVER (+ #0)

3 MOTOR, DC

17 TAPPING (B2 X 6.5)



TOOLS : SCREW DRIVER (+ #0)

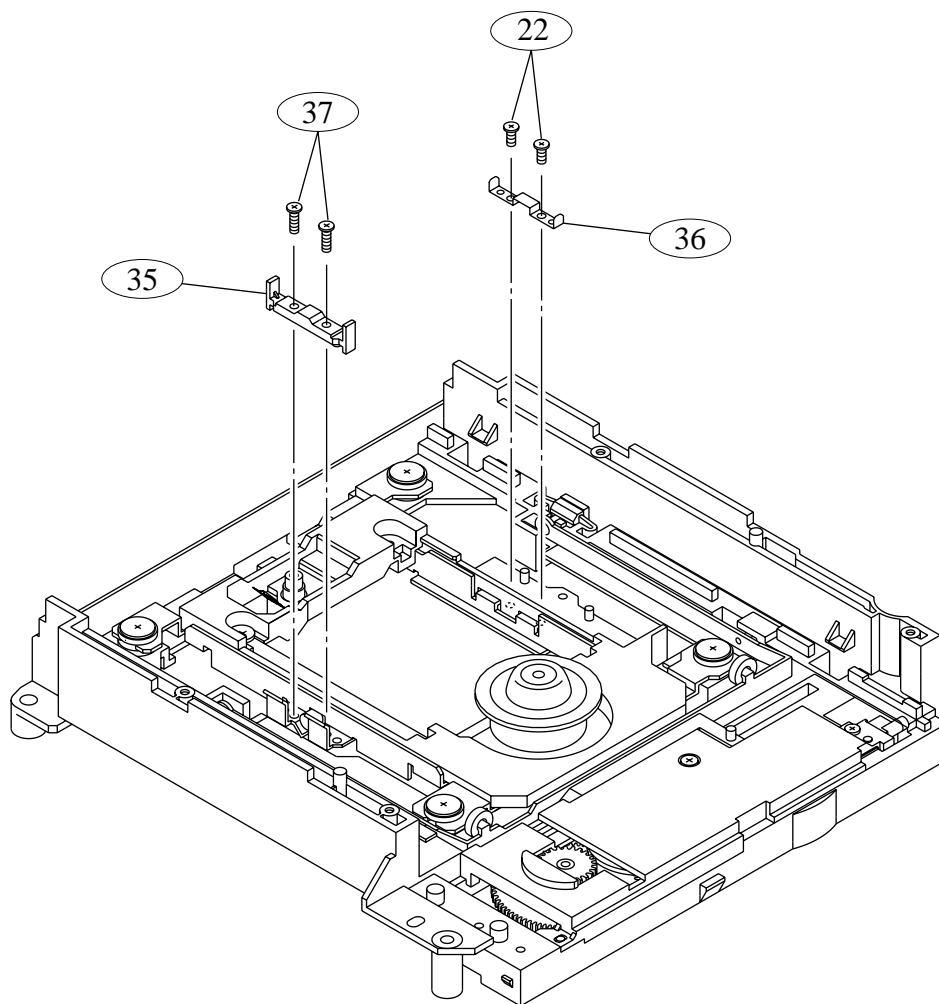


22 0 PLATE 3 MAIN  
M2 X 3.2

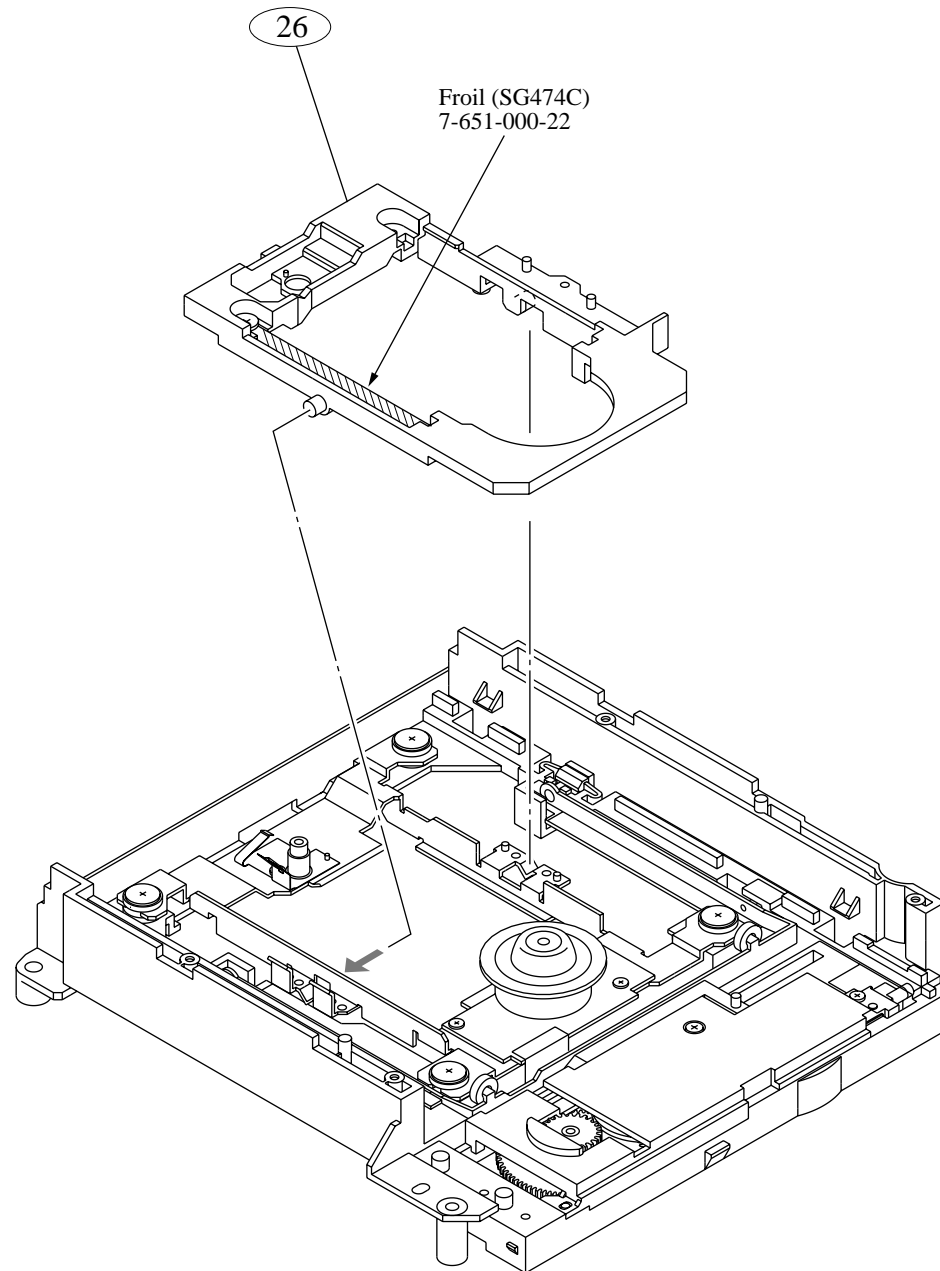
35 GUIDE (L)

36 GUIDE (R)

37 SCREW, SKEW

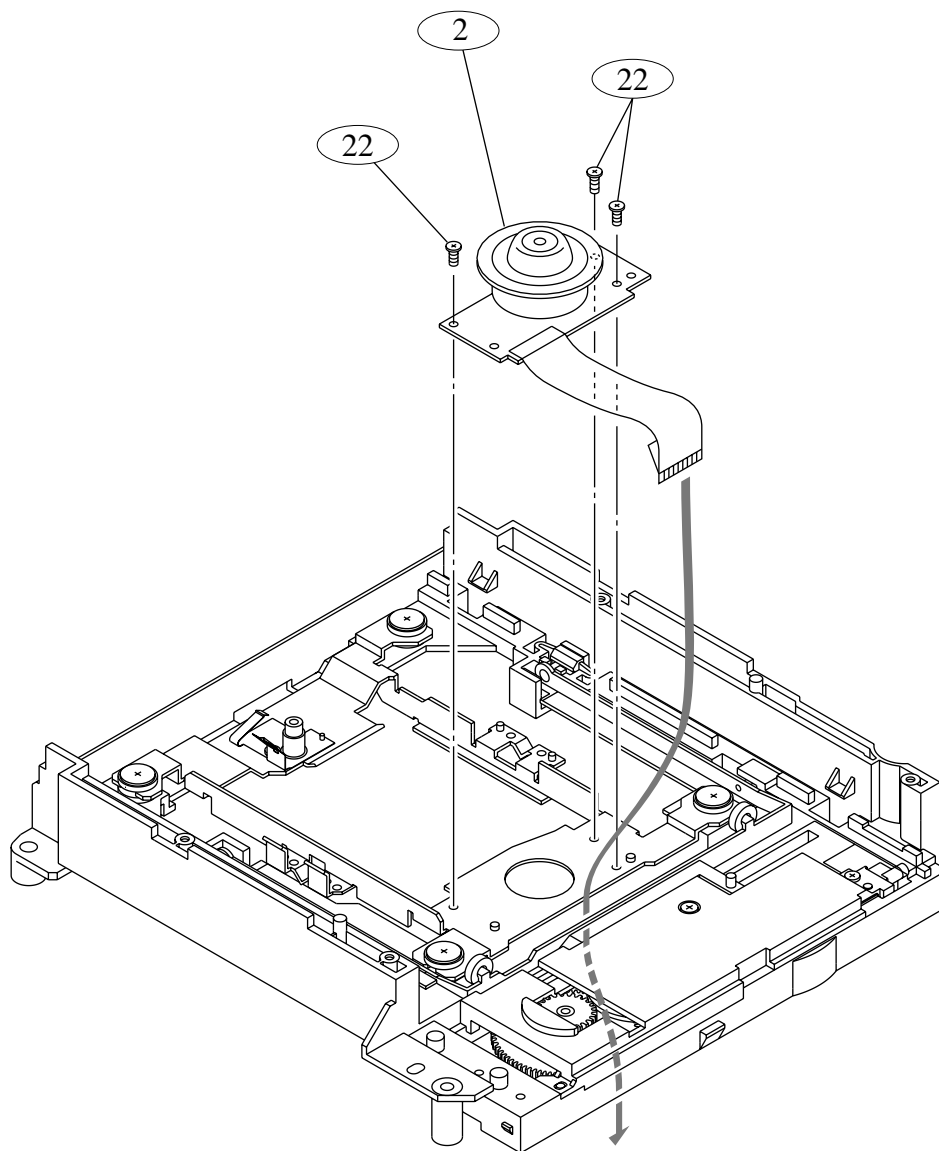


TOOLS : SCREW DRIVER (+ #0)



2 SPINDLE  
MOTOR, DC

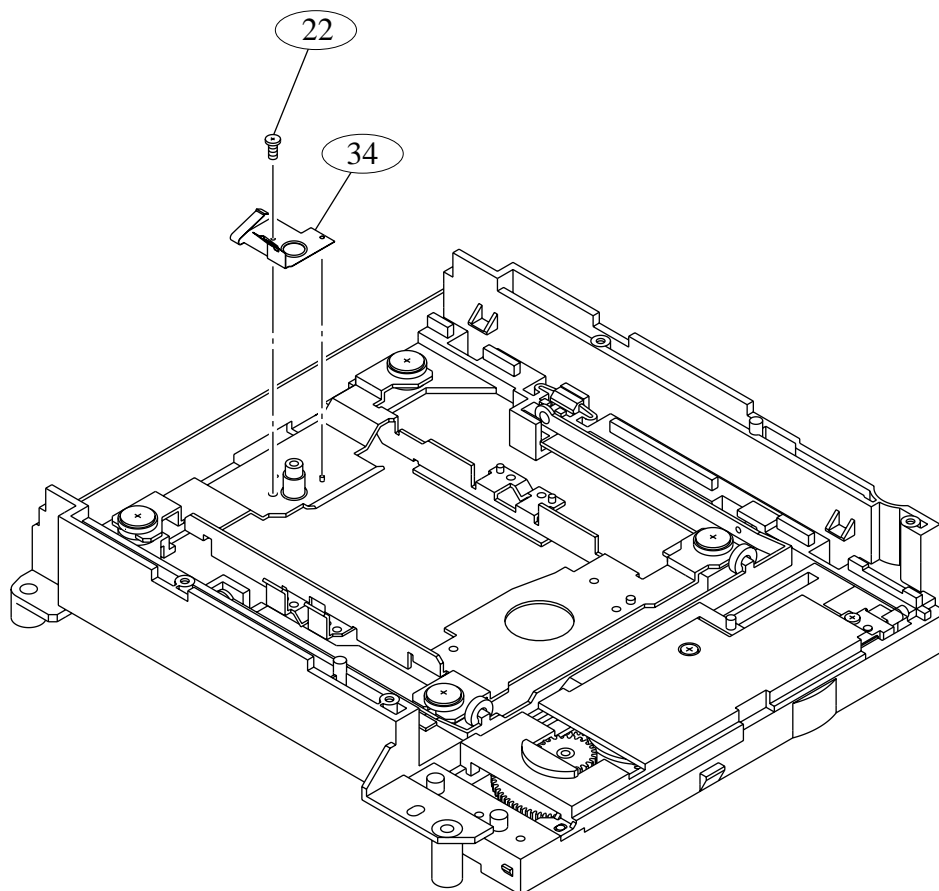
22 O PLATE 3 MAIN  
M2 X 3.2



TOOLS : SCREW DRIVER (+ #0)

22 0 PLATE 3 MAIN  
M2 X 3.2

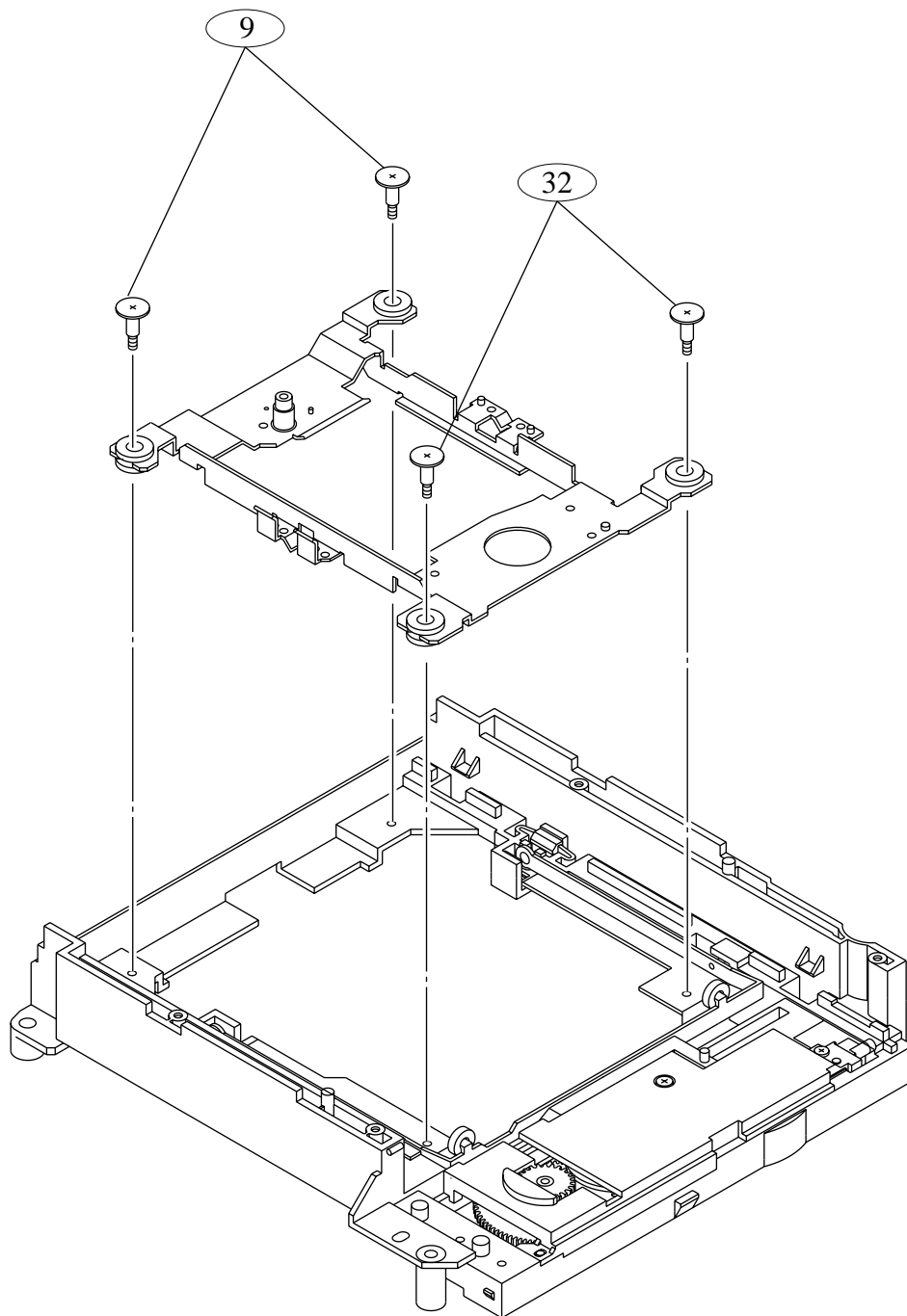
34 SPRING (TILT),  
LEAF



TOOLS : SCREW DRIVER (+ #0)

9 SCREW, STEP

32 SCREW (SUB), STEP

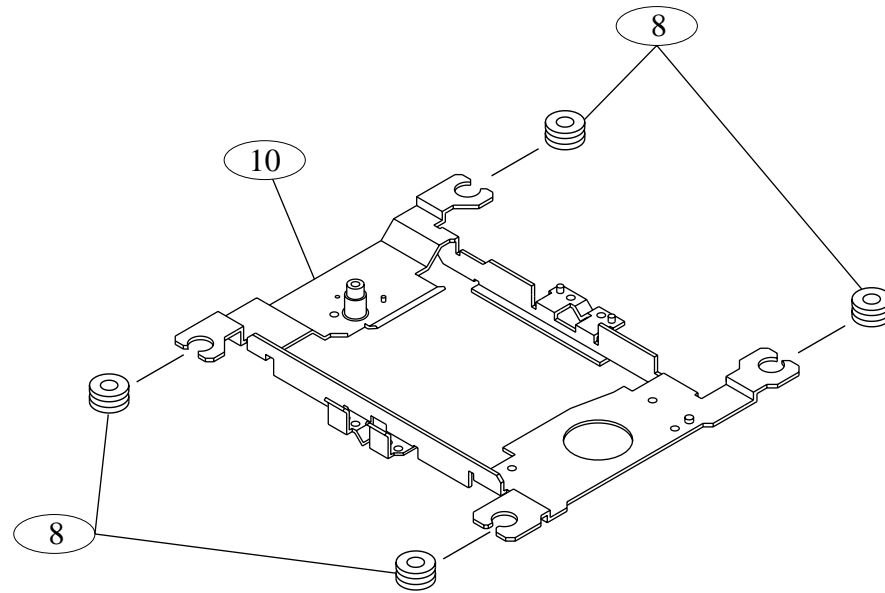


TOOLS : SCREW DRIVER (+ #0)



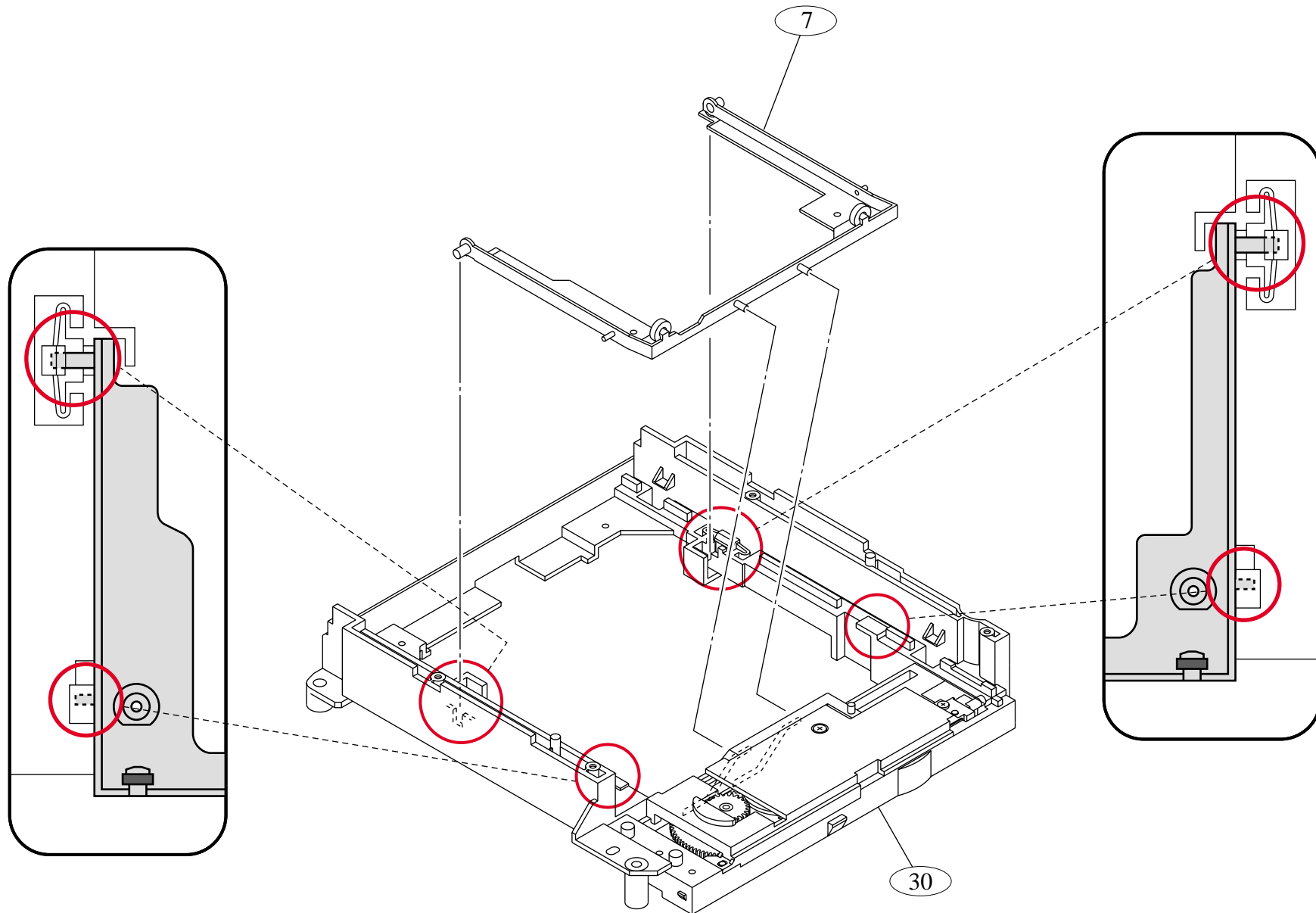
8 INSULATOR

10 CHASSIS ASSY,  
MAIN



7 SUB FRAME ASSY

30 MAIN FRAME ASSY

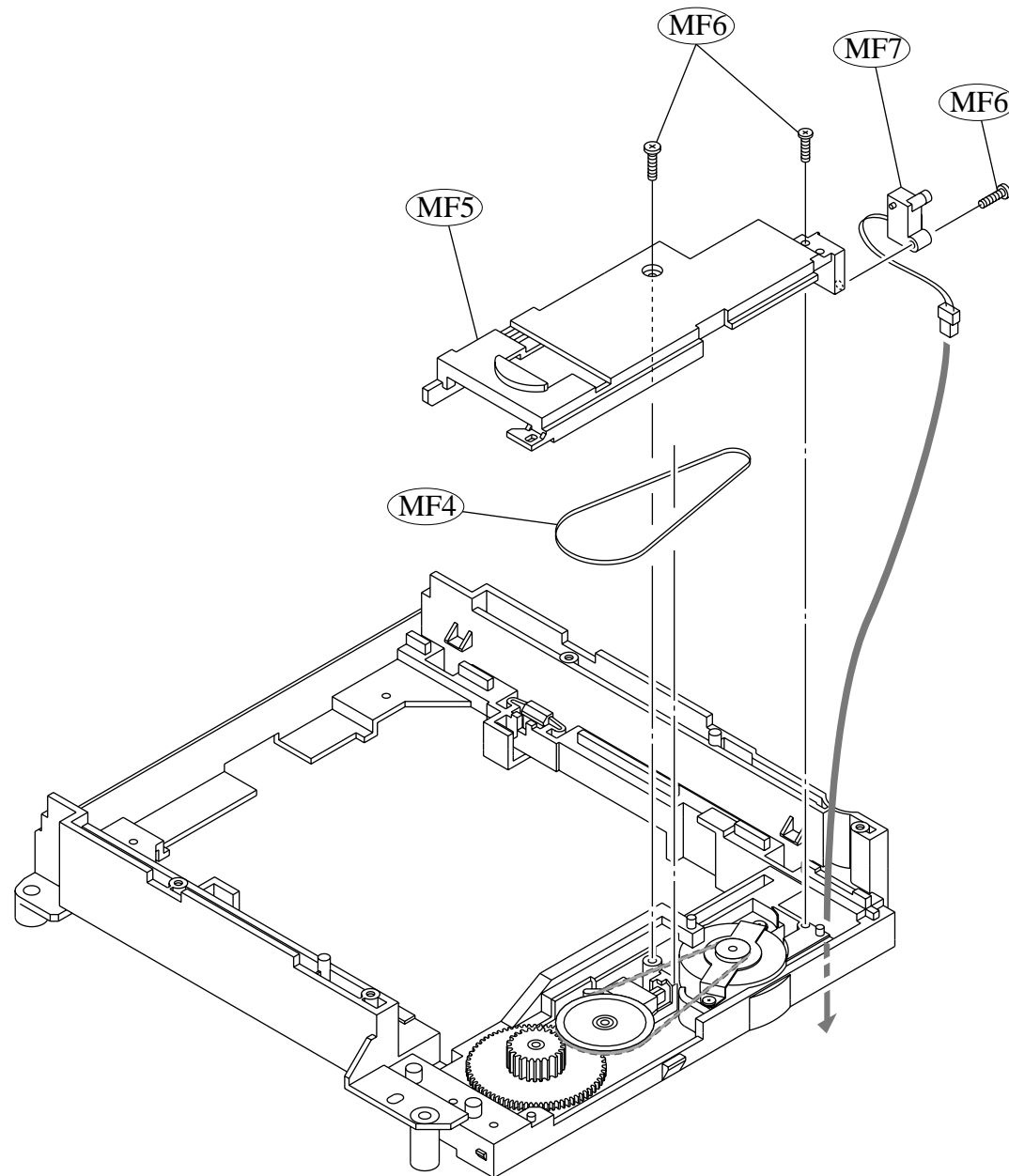


MF4 BELT, RUBBER

MF5 COVER GEAR

MF6 TAPPING (B2 X 6.5)

MF7 SWITCH LEAF

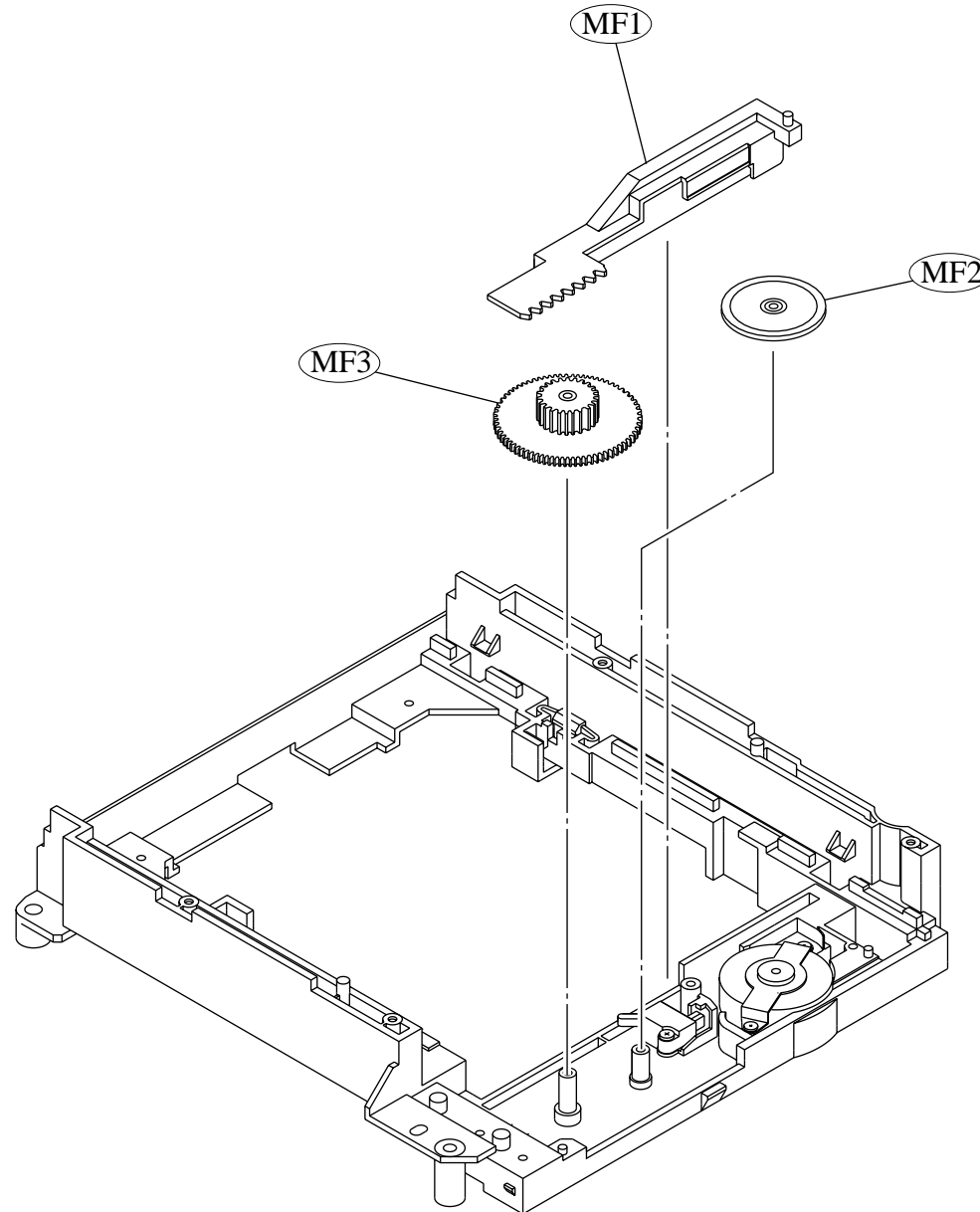


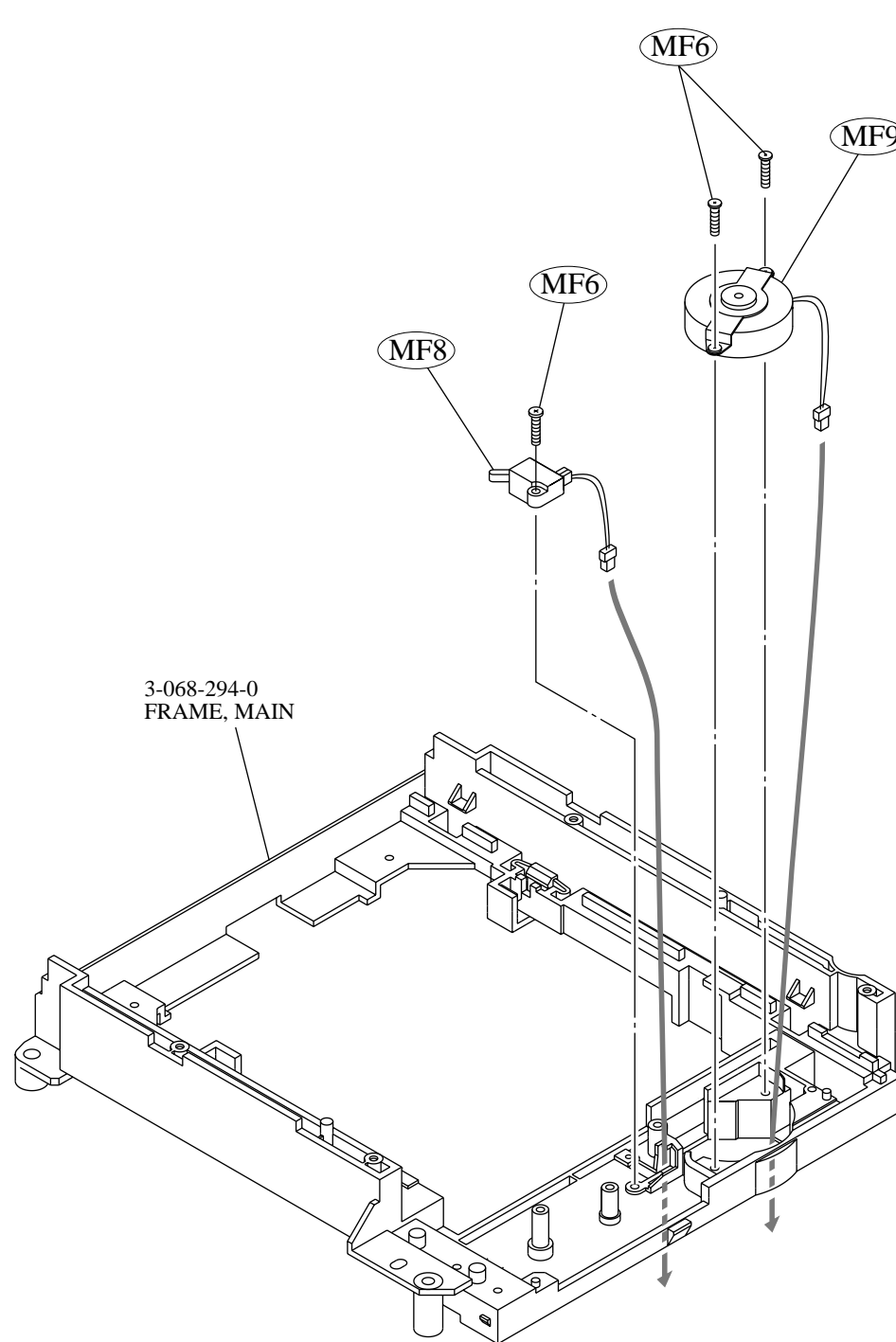
TOOLS : SCREW DRIVER (+ #0)

MF1 CAM, SLIDE

MF2 PULLEY

MF3 GEAR, DRIVING





MF6 TAPPING (B2 X 6.5)

MF8 SWITCH LEAF

MF9 LOADING MOTOR, DC

BACK

COVER PAGE

TOOLS : SCREW DRIVER (+ #0)