

PlayStation®2

SCPH-30000 series

SCPH-35000 series

SCPH-30000R series

SCPH-39000 series

SCPH-50000/50000SS/50000AQ series

SERVICE MANUAL Level-1



PlayStation®2 Level-1 Service & Procedures Manual / Version 5.0 Jan 2004

NOTE: READ THIS DOCUMENT IN CONJUNCTION WITH THE LATEST SERVICE GUIDELINES ISSUED BY SEC

SPECIFICATIONS

General

Power requirements
220-240 V AC, 50/60 Hz
for SCPH-30002D/-30003D/-300004D
-35002/-350003/-350004

Power consumption
50W
for SCPH-30002D/-30003D/-300004D
-35002/-350003/-350004

Dimensions
301 x 78 x 182 mm (w/h/d)

Mass
2.4 kg

Inputs/Outputs on the front

Controller ports (2)
Memory Card slots (2)
USB ports (2)
S400 (I-Link) port (1)

Inputs/Outputs on the rear

HDD bay slot (1)

Outputs on the rear

AV Multi out port (1)
RGB, Ycber, Y/C, Composite-video,
Audio-L/R, XGA
Digital out port (1)
Optical audio

Supplied accessories

AC power cord (1)
Euro-AV connector (1)
for SCPH-30003/4 & 35003/4
SCPH-30003/4 R & SCPH-39003/4
SCPH-50003/4 & SS & AQ

A/V connecting cable (1)
Dualshock2 Analog controller (1)

DISC (GT3)
for SCPH-35002/-350003/-350004

TABLE OF CONTENTS

SCPH-30000 series and SCPH-35000 series GH013 (31/41) MOUNT on board

SAFETY-RELATED COMPONENT WARNING	3
GENERAL INFORMATION	4
1. SERVICE NOTE/CONDITIONS	4
Conditions	4
Fault Information & FAQ	4
Inner Carton Reorder	4
2. WARRANTY	4
Service Warranty	4
Reimbursement	4
3. APPLICABLE MODELS	4
4. LEVEL-1 SERVICE SPECIFICATION	4
5. SPARE PARTS REORDERS	4
6. WARRANTY SEAL CONTROL	5
7. REPORTING (WARRANTY DATA ENTRY)	5
8. REMOVAL OF STUCK DISC	5-6
9. REPAIR PARTS LIST	7
Exploded Views	7-24
SCPH-30002/30003/30004 (C, C')	7
Overall and Main Block	7
MD Block	8
Switch Block	9
SCPH-30002/30003/30004 (D, D')	10
Overall and Main Block	10
MD Block	11
GB-003/GB-004 and Place Assy Block	12
Fan and Rear Panel	12
Switch Block	13
SCPH-30002R/30003R/30004R (F)	14
Overall and Main Block	14
MD Block	15
Switch Assy Block	16
Power Switch, Fan and Rear Panel	17
SCPH-39002/39003/39004/39008 (G)	18
Overall and Main Block	18
MD Block	19
Switch Assy Block	20
Power Switch, Fan and Rear Panel	21
SCPH-50002/3/4/8 & 50002/3/4/8SS & 500002/3/4AQ (H)	
Overall and Main Block	22
MD Block	23
Boards Section	24
SCPH-50002/3/4/8 & 50002/3/4SS (I)	
Overall and Main Block	25
MD Block	26
PS2 Peripherals	27
10. QUALITY CONTROL TEST	28

SAFETY-RELATED COMPONENT WARNING

Components identified by mark **⚠** and in the parts list are critical to safe operation. Replace these components with Sony parts whose part numbers appear as shown in this manual.

SAFETY-RELATED COMPONENT WARNING!!

COMPONENTS IDENTIFIED BY MARK OR DOTTED LINE WITH MARK ON THE SCHEMATIC DIAGRAMS AND IN THE PARTS LIST ARE CRITICAL TO SAFE OPERATION. REPLACE THESE COMPONENTS WITH SONY PARTS WHOSE PART NUMBERS APPEAR AS SHOWN IN THIS MANUAL OR IN SUPPLEMENTS PUBLISHED BY SONY.

IMPORTANT

SONY COMPUTER ENTERTAINMENT DEMANDS THAT AT NO TIME SHOULD A MOTHERBOARD BE EXCHANGED FROM ONE CONSOLE TO ANOTHER. NO MCB PARTS ARE INCLUDED ON LEVEL-1 REPAIR.

IMPORTANT

Do NOT touch any PlayStation®2 parts not listed on this manual.

CAUTION

Replace the battery with a Sony CR2032 battery. Use of any other type of battery may present the risk of fire or explosion. The battery may explode if mistreated. Do not recharge, disassemble, or dispose of in fire.

CAUTION

The use of optical instruments with this product will increase eye Hazard. As the laser beam used in this CD/DVD player is harmful to eyes, do not attempt to disassemble the cabinet. Refer servicing to qualified personnel only.

WARNING!!

WHEN SERVICING, DO NOT APPROACH THE LASER EXIT WITH THE EYE TOO CLOSELY. IN CASE IT IS NECESSARY TO CONFIRM LASER BEAM EMISSION, BE SURE TO OBSERVE FROM A DISTANCE OF MORE THAN 25cm FROM THE SURFACE OF THE OBJECTIVE LENS ON THE OPTICAL PICK-UP BLOCK.

CAUTION

Use of controls or adjustments or performance of procedures other than those specified herein may result in hazardous radiation exposure.

CAUTION for electric shock

When power is ON, Don't touch to Power supply block, AC-inlet, Power switch and so on, not to get an electric shock at repair.

CAUTION for burning

When current is supplied, Some of part surface temperature like EE, GS, Regulator-IC, power supply, Optical device and so on. These part surface is become high temperature condition. When it repair, don't touch them at a time during it surface is high temperature condition to take prevent against burning. Do repair after it is cooled down enough.

CAUTION

Danger of explosion if battery is incorrectly replaced. Replace only with the same or equivalent type recommended by the manufacturer. Discard used batteries according to the manufacturer's instructions.

SAFETY CHECK-OUT

After correcting the original service problem, perform the following safety checks before releasing the set to the customer:

1. Check the area of your repair for unsoldered or cold-soldered connections. Check the entire board surface for solder splashes and bridges.
2. Check the inter board wiring to ensure that no wires are "pinched" or contact high-wattage resistors.
3. Look for unauthorized replacement parts, particularly transistors, that were installed during a previous repair. Point them out to the customer and recommend their replacement.
4. Look for parts, which, though functioning, show obvious signs of deterioration. Point them out of the customer and recommend their replacement.
5. Check the line cord for cracks and abrasion. Recommend the replacement of any such line cord to the customer.
6. Check the b+ voltage to see it is at the values specified.
7. Check the antenna terminals, metal trim, "metalized" knobs, screws, and all other exposed metal parts for ac leakage.

NOTIFICATION for environmental assessment

This model is CR2032 lithium battery onboard inside on the GD MOUNT as Timer backup power. CR2032 life may be about 5 to 8 years so you have very few need for changing to new one. But if you have necessary to replaced to new one or disassemble for scrapping, you have to keep your country low, regulation, standard, etc. of environmental assessment and safety.

NOTE: Some of the above safety text is NOT applicable to Level-1 Repairs

GENERAL INFORMATION

NOTICE: Copyright by Sony Computer Entertainment Inc. All rights reserved. No reproduced and transferred required except permission by Sony Computer Entertainment Inc. No commercial use and rental required.

REVISIONS: This manual compiled by first edition of SCPH-30000 series and SCPH-35000 series design data. Design and Specification will be subject to changed without notice. The latest versions of service manual, Technical memo, and Technical information should be used together.

1. SERVICE NOTE/CONDITIONS

Level-1 service is only allowed by Sony Service Centres (SSC) or dedicated Authorised Service Centre (ASC) ^{note1}. Other type of repair still has to be carried out by SEC-ROE as appropriate jigs or tools are not available to SSC/ASC ^{note1}.

1.1. Conditions

- SSC and ASC ^{note1} can **only** perform PlayStation®2 Level-1 repair as described in this manual;
- It is strictly prohibited to perform any Level-2 and/or Level-3 repairs on PlayStation®2 units;
- Level-2 repairs must only be performed by SEC-ROE (or SSC/ASC authorised by SCEE)
- Level-3 repairs must only be performed by SEC-ROE;
- Any PlayStation®2 unit submitted to any kind of abuse repair will never be classified as 'in warranty';
- Units sent to SEC-ROE for Level-2 and/or Level-3 repair that shows any evidence of abuse² will not be compensated;
- SSCs and ASCs ^{note1} must have an appropriate Warranty Seal Control procedure covering the following areas: inventory control, process, audit trail and replenishment of stock (please refer to paragraph six in this manual for more details).

1.2. Fault Information & FAQ

Sony Computer Entertainment Europe (SCEE) will provide Fault Information and Frequent Asked Questions through the Technical Service Extranet site (<http://tech.scee.net/tech.nsf>). This is a secured site and can only be accessed by personnel authorised by SCEE (please contact SCEE if you require access to this system).

1.3. Inner Carton re-order

In the case of defective units arriving at SSC or ASC ^{note1} without the original inner carton: SCEE will make 'brown' inner cartons available to order by SOSA Central Warehouse. For more information contact SOSA Central Office. Brown inner cartons can be used for returning consoles repaired locally and as a transportation box to SEC-ROE.

² Abuse: any units missing original components, having additional components (e.g. modifying chips) and/or physical liquid damage.

2. WARRANTY

Service Warranty

The warranty on Level-1 repaired PlayStation®2 should be set to 90 days. Repaired units are eligible to free of charge re-repair within the 90 days warranty.

I/W Reimbursement system

In case service is carried out in-warranty, please proceed for compensation according to the standard Warranty Reimbursement rules, outlined in the SEC-ROE Warranty Rulebook.

3. APPLICABLE MODELS

This Level-1 Service Manual is applicable to the following PlayStation®2 models:

- SCPH-30002 /SCPH-30003 /SCPH-30004 (C)
- SCPH-30002 /SCPH-30003 /SCPH-30004 (D)
- SCPH-35002 /SCPH-35003 /SCPH-35004 (D)
- SCPH-30002R/SCPH-30003R/SCPH-30004R (F)
- SCPH-39002 /SCPH-39003 /SCPH-39004/SCPH39008 (G)
- SCPH-50002/3/4/8 & SCPH-50002/3/4 SS (H)

4. LEVEL-1 SERVICE SPECIFICATION

Definition

Level-1 service is only allowed by SSC or dedicated ASC ^{note1} and specified as follows:

- Cosmetic and easy repairs using level-1 spare parts mentioned in this manual;
- Replacement of dedicated parts, such as power supply module, terminal board, etc. (please refer to this manual for a full list of dedicated parts);
- Adjustment of mechanical parts (NOT on optical block);
- Removal of stuck disk;
- No Problem Found (NPF).

5. SPARE PARTS REORDERS

SSC and ASC ^{note1} are only authorised to order spare parts listed in this manual. Spare parts should be ordered through existing WRPCE system/procedures. For more information on parts reorders, please refer to SEC-ROE guidelines/procedures.

^{note 1} Where no SSC is present in the country

Repairs must be controlled by the use of **Warranty Seals** (Part Number: 3-066-498-01, Tape/Void). Warranty Seals must be strictly controlled. All countries wishing to perform Level-1 repair on PlayStation@2, as described in this manual, must submit appropriate Warranty Seal Control procedures covering the following areas: inventory control, process, audit trail and replenishment of stock.

To ensure that Warranty Seals are controlled properly, each SSC and ASC ^{note1} must have a nominated member of staff who is responsible for these parts. They should carry out the following functions:

- Confirm that the service centre inventory accurately represents the true stock level when reported to SCEE;
- To report promptly any loss due to damage, theft, defective application or unforeseen incident;
- This person will also be responsible for the periodic reporting to SCEE, and should maintain the local audit files to be examined by SCEE as part of a stock inventory audit.
- SSC and ACS ^{note1} must re-seal all PlayStation@2 units that could not be repaired locally (Level-1 repair) before shipping the unit to SEC-ROE for Level-2/Level-3 repair. Reimbursement will not be granted for PlayStation@2 units arriving at SEC-ROE without warranty seal (even if in-warranty).

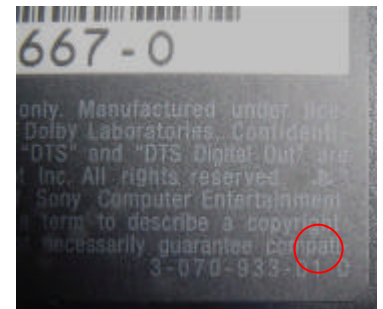
7. REPORTING

SCEE must obtain Level-1 repair information from all countries performing Level-1 repairs locally. Monthly reports will be extracted from ESQI-line, however it is imperative that PlayStation@2 is reported on a "model type" basis (e.g. C-model, D-model, etc). Information must be entered in the ESQI-line in the following format:

Example:

- Console SCPH-30004 type D = SCPH-30004D
- Console SCPH-30004R type D = SCPH-30004RD

How to identify model type: All Engineers should be able to identify consoles by Model type (e.g. "C","D","F","G"), if not, model type can be identified on the number plate on the "right bottom left hand corner" next to a number with the following format: "3-070-933-01 D" (this last digit refers to the model type)



8. REMOVAL OF STUCK DISC

IMPORTANT NOTE: PlayStation@2 unit must always be handled in ESD-safe conditions:

- Workbench with anti-ESD mat, connected to earth
- Technician should wear wrist/ankle strap, connected to any-ESD-mat

In the case, both, power and loading mechanism are active:

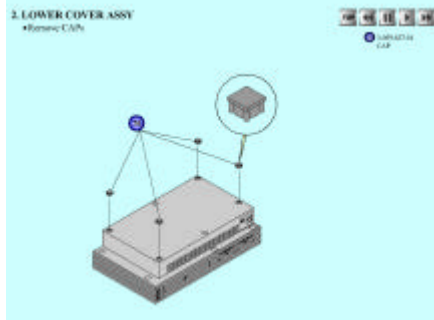
Connect the PlayStation@2 unit to the power and switch the unit on at the back. When the red LED at the front side is blinking, push this button and the unit will switch one. Disc can be removed by pushing the eject button.

In case power or loading mechanism is not active:

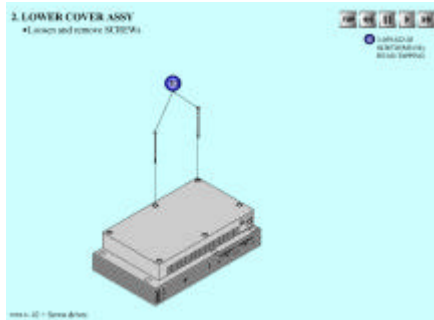
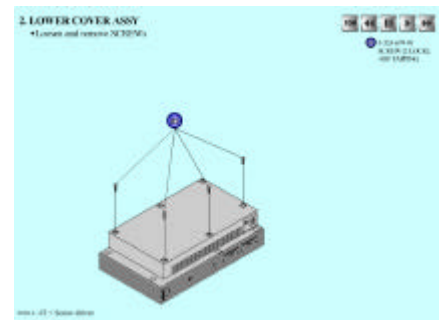
1. Remove tape at backside of the unit.

2. Remove HDD Bay lid at the backside of the unit.

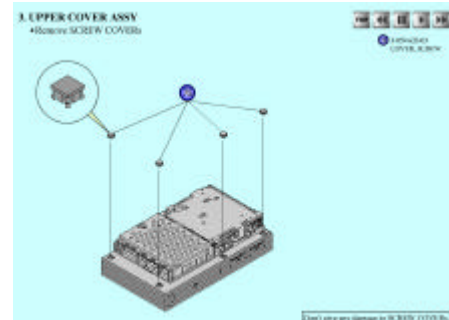
^{note 1} Where no SSC is present in the country



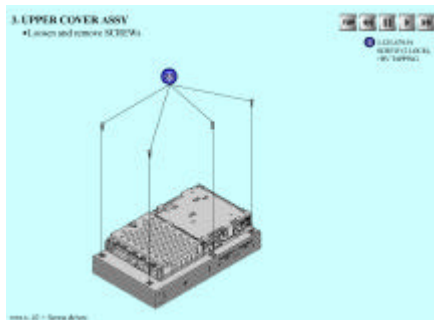
3. Remove all the caps and screws of the bottom cabinet very carefully (avoid physical/cosmetic damage on cabinets)



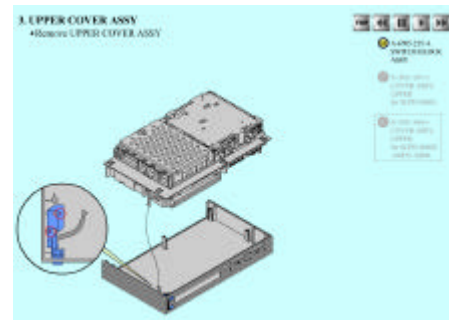
4. Remove the two long screws on the upper cabinet carefully



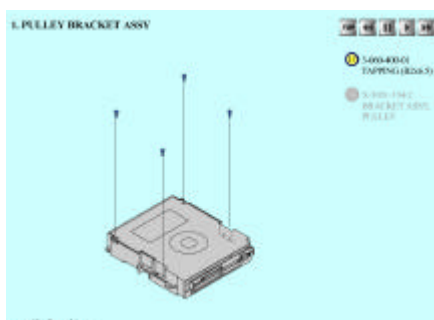
5. Remove the caps of the upper cabinet carefully



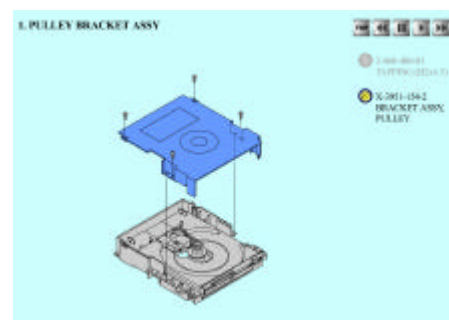
6. Remove the screws of the upper cabinet



7. Disconnect the power switch from the upper cabinet



8. Remove the 4 screws of the MD-block



9. Lift the pulley bracket assy and remove the software

9. REPAIR PARTS LIST/EXPLODED VIEWS

Main parts/assemblies, which are used by Level-1 centres: All cosmetics, fan, power supply, ribbon cables, controller port connector and various mechanical components.

The mechanical parts with reference on the exploded view (below) with a respective part number on the spare parts list are supplied to level-1 repair centres.

The mechanical parts with reference on the exploded view (below) but **without** a respective part number on the spare parts list **are not supplied** to level-1 repair centres.

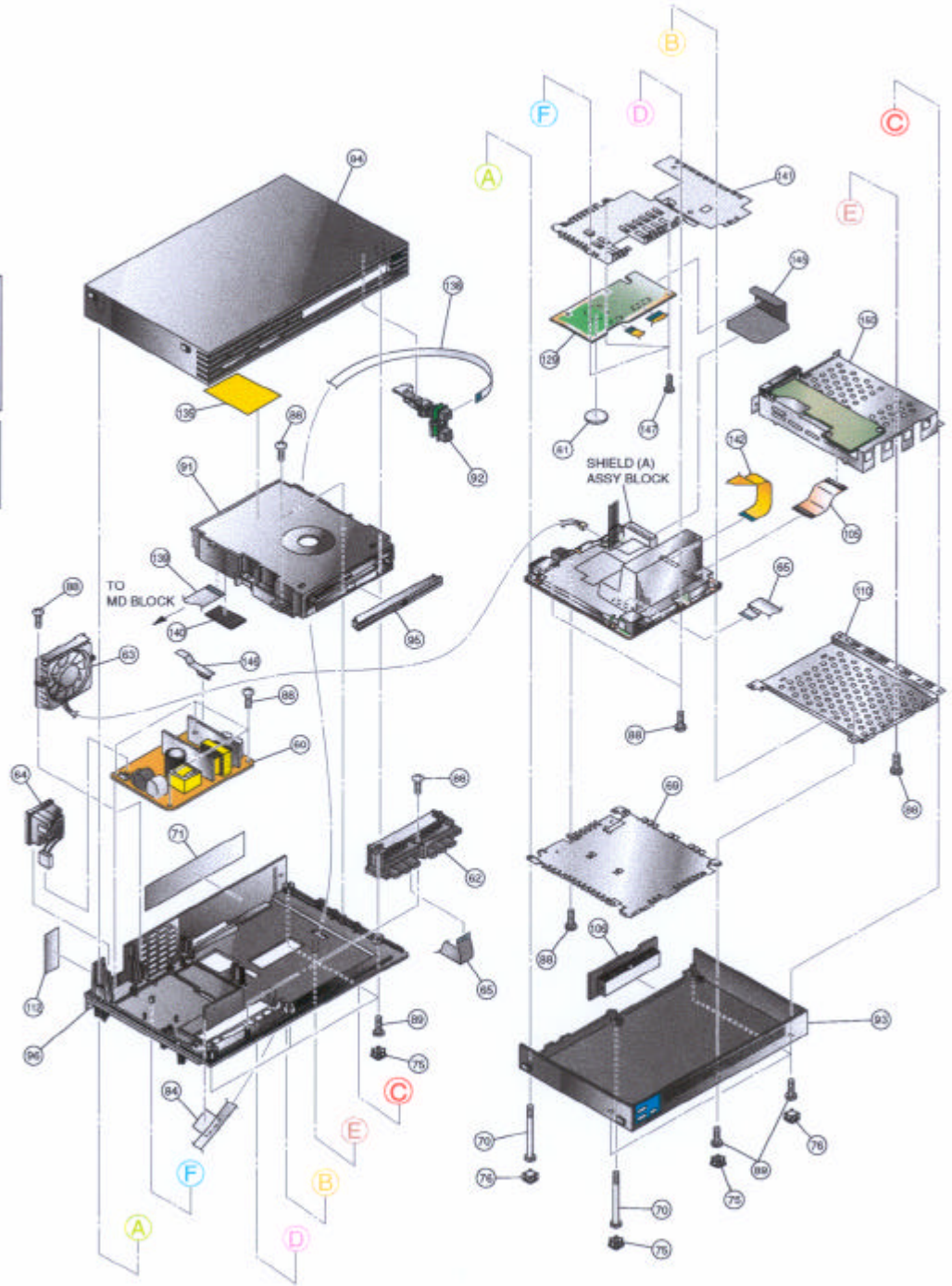
REPAIR PARTS LIST - EXPLODED VIEWS - SCPH-30002/30003/30004 (C, C')

Overall and Main Block

CAUTION

The components identified by mark \triangle or dotted line with mark \triangle are critical for safety. Replace only with part number specified.

CAUTION :
Use of controls or adjustments or performance of procedures other than those specified herein may result in hazardous radiation exposure.



Ref-No.	Part No.	Description	Remark	Place code
60	1-468-565-21	POWER BLOCK		#00
61	1-528-174-41	PS2 BATTERY, LITHIUM (CR2032 TYPE)	OTHER NON-PS2 "LITHIUM CR2032 TYPE BATTERY" MAY BE USED.	#25GD
62	1-694-767-11	TERMINAL BOARD (FRONT)		#17
63	1-763-480-11	DC. FAN		#74
64	1-771-995-12	SWITCH, POWER (WITH AC INLET)		#00
65	1-792-491-21	CABLE, FLEXIBLE FLAT (FFC-290)		#12
69	3-066-489-01	SHIELD (B)		#16
70	3-059-622-02	SCREW (M3X54), HEAD TAPPING		#87
75	3-059-626-03	COVER, SCREW		#22
76	3-059-627-01	CAP		#22
88	3-325-679-21	SCREW, TAPPING +BV 3X12		#87
93	X-3951-398-1	COVER ASSY, LOWER		#87
94	X-3951-498-1	COVER ASSY, UPPER		#87
95	X-3951-099-1	PLATE ASSY, ORNAMENTAL		#87
105	1-680-147-11	PWB, FP-324 FLEXIBLE		#12
106	X-3951-317-1	LID ASSY		#87
112	3-066-498-01	TAPE, VOID		#87
138	1-757-588-11	CABLE, FLAT (FFC-308)		#12
139	1-757-590-11	CABLE, FLAT (FFC-310)		#12
142	1-757-589-11	CABLE, FLAT (FFC-309)		#25GD

REPAIR PARTS LIST - EXPLODED VIEWS - SCPH-30002/30003/30004 (C, C')

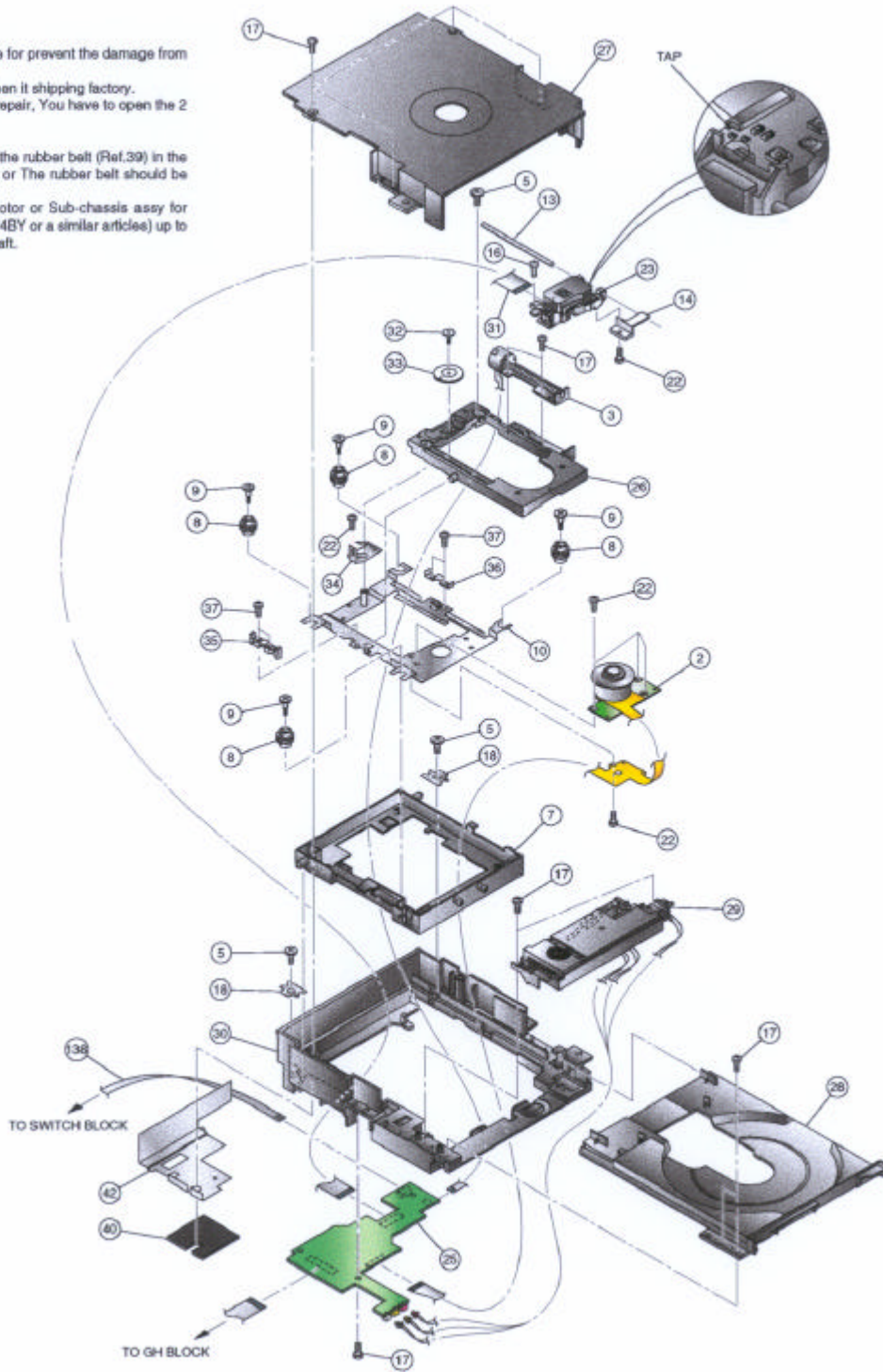
MD Block

CAUTION

There are 2 taps behind Optical device for prevent the damage from static electricity. these are usually shorted by solder when it shipping factory. When You use the Optical device for repair, You have to open the 2 taps by melting solder.

In s case of the slide-cam (Ref.38) or the rubber belt (Ref.39) in the gear box assy broken, The slide-cam or The rubber belt should be exchanged itself, not Gear box assy.

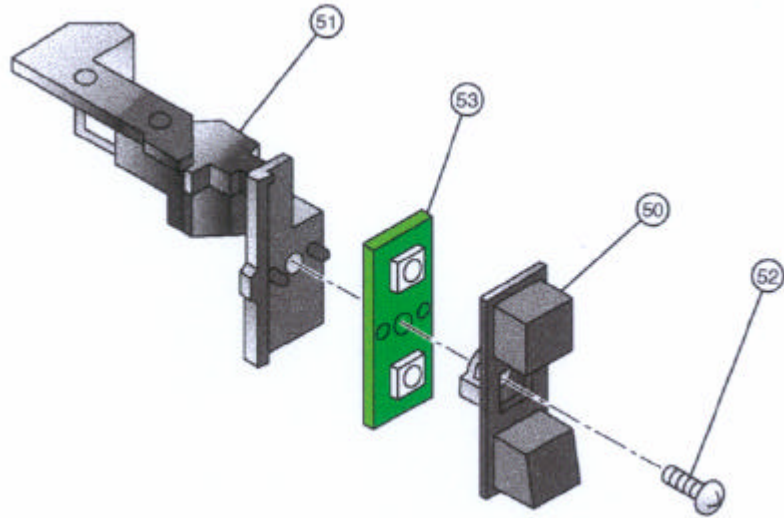
When you exchange the feed DC-motor or Sub-chassis assy for repair, You have to grease Floll (SG474BY or a similar articles) up to Feed motor slidding gear and Sub-shaft.



Ref-No.	Part No.	Description	Remark	Place code
17	3-060-400-01	TAPPING (B2X6.5)		#10
27	X-3951-154-2	BRACKET ASSY, PULLEY		#10
28	X-3951-153-2	TRAY ASSY		#10TR
29	X-3951-156-3	BOX ASSY, GEAR		#10GB
31	1-680-370-11	PWB, FLEXIBLE		#10

REPAIR PARTS LIST - EXPLODED VIEWS - SCPH-30002/30003/30004 (C, C')

Switch Block



Ref-No.	Part No.	Description	Remark	Place code
50	3-059-665-03	BUTTON, SWITCH		#25SW
51	3-059-666-05	BRACKET, SWITCH		#25SW
52	7-685-105-11	TPG +P 2X8, TYPE 2, NON-SLIT		#25SW
53	A-6712-830-A	SW-355 MOUNT		#25SW

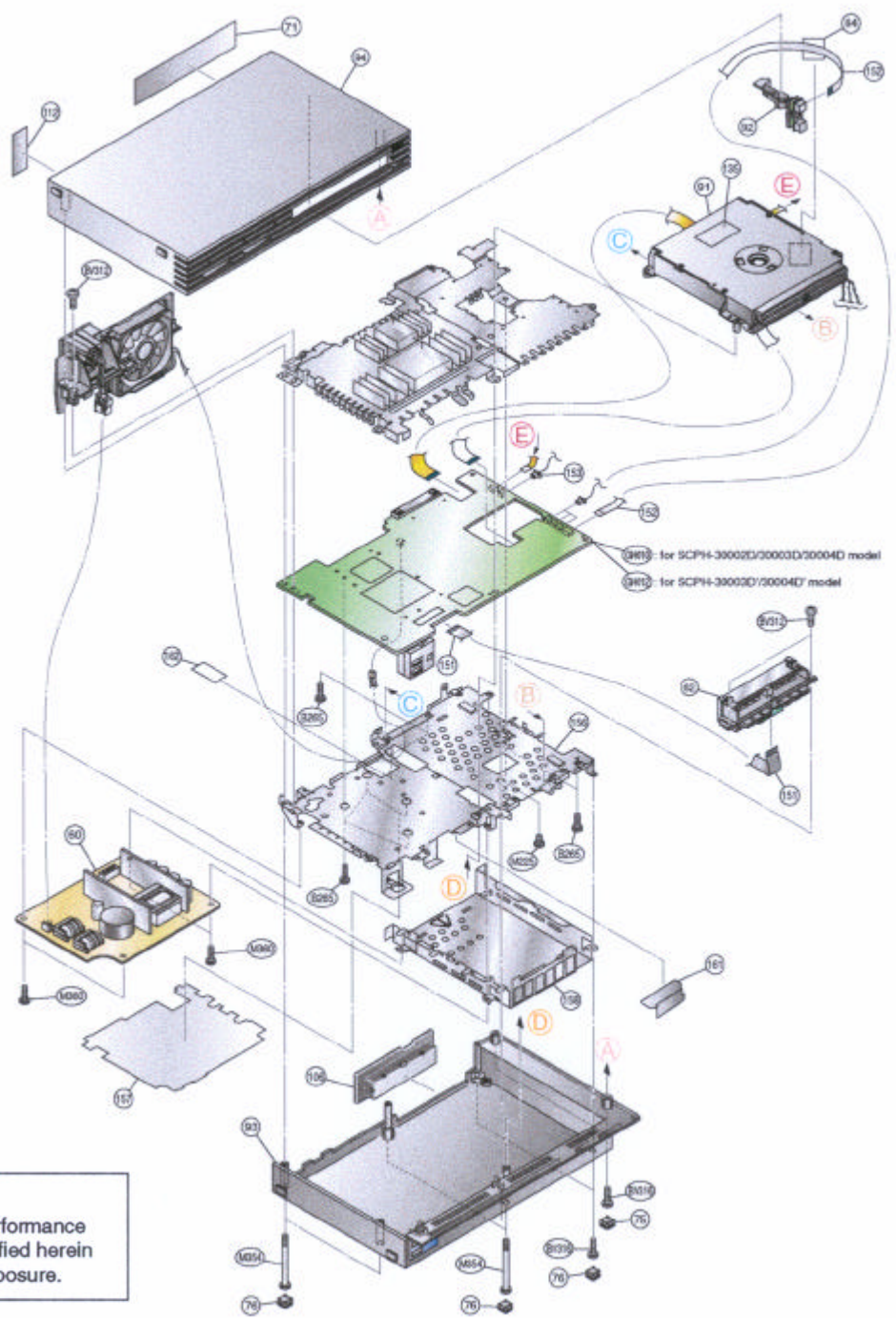
REPAIR PARTS LIST - EXPLODED VIEWS - SCPH-30000 series and SCPH-35000 series (D, D')

Overall and Main Block for SCPH-30002D/30003D/30004D/35002/35003/35004

CAUTION

The components identified by mark Δ or dotted line with mark Δ are critical for safety. Replace only with part number specified.

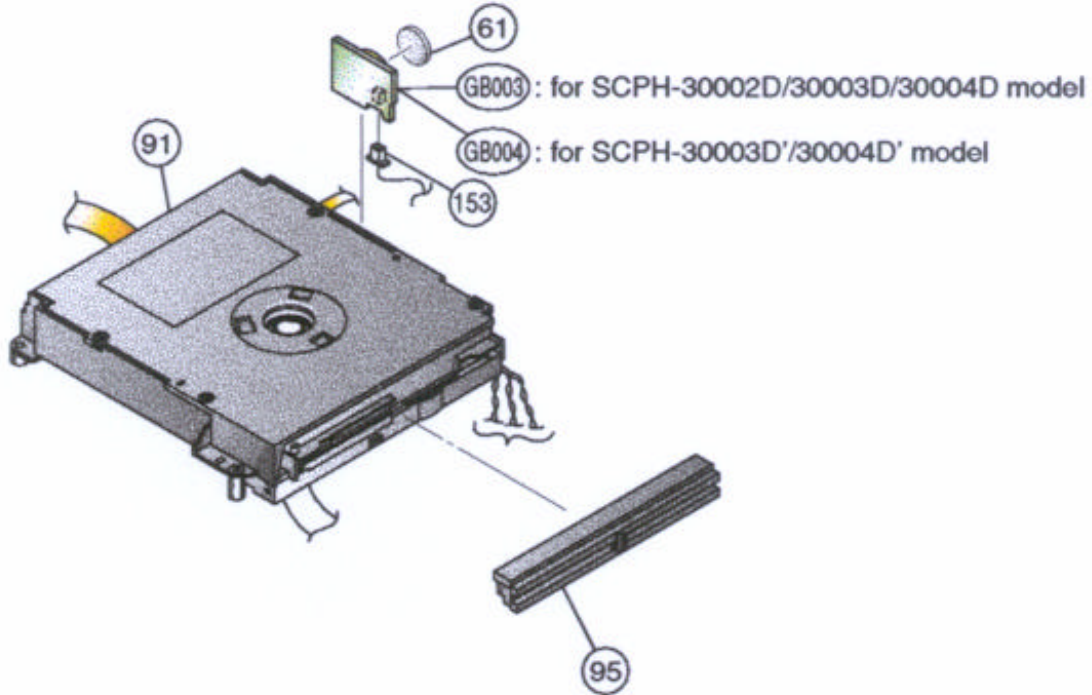
CAUTION
Don't lose the insulating sheet when assemble the console.



CAUTION :
Use of controls or adjustments or performance of procedures other than those specified herein may result in hazardous radiation exposure.

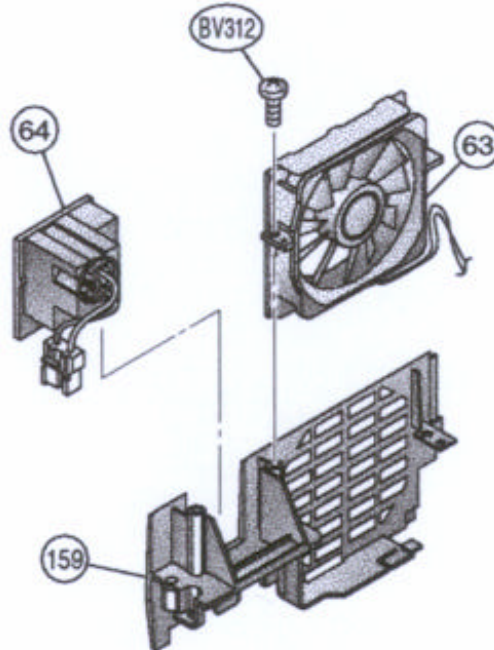
Ref-No.	Part No.	Description	Remark	Place code
60	1-468-605-11	POWER BLOCK		#00
62	1-694-676-21	TERMINAL BOARD (FRONT)		#17
62	1-694-729-21	TERMINAL BOARD (FRONT)		#17
62	1-694-769-31	TERMINAL BOARD (FRONT)		#17
75	3-059-626-03	COVER, SCREW		#22
76	3-059-627-01	CAP		#22
84	3-067-170-01	TAPE (20X20), HARNESS STOPPER		#87
93	X-3951-722-1	COVER ASSY, LOWER		#87
106	X-3951-317-1	LID ASSY		#87
112	3-066-498-01	TAPE, VOID		#87
151	1-757-934-11	CABLE, FLEXIBLE FLAT (FFC-011)		#12
151	1-757-934-21	CABLE, FLEXIBLE FLAT (FFC-011)		#12
152	1-823-341-11	CABLE, FLEXIBLE FLAT (FFC-015)		#12
152	1-823-341-21	CABLE, FLEXIBLE FLAT (FFC-015)		#12
153	1-961-160-21	HARNESS (HS-059)		#12
158	3-068-675-02	SHIELD (HDD)		#87
162	3-069-212-01	TAPE, HARNESS STOPER		#16
BV312	3-325-679-21	SCREW, TAPPING +BV 3X12		#87
M354	3-059-622-02	SCREW (M3X54), HEAD TAPPING		#87
M360	3-069-168-01	TITE (CZN), M3X6 +BV S		#87

GB-003/GB-004 and Plate Assy Block



Ref-No.	Part No.	Description	Remark	Place code
61	1-528-174-41	BATTERY, LITHIUM (CR2032 TYPE)		#25GB
153	1-961-160-21	HARNESS (HS-059)		#12
GB003	A-6712-923-A	GB-003 MOUNT	Use for combine with GH010.	#25GB
GB004	A-6712-984-A	GB-004 MOUNT	Use for combine with GH012.	#25GB
GB005	A-6712-996-A	GB-005 MOUNT	Use for combine with GH013.	#25GB
GB006	A-6712-984-A	GB-006 MOUNT	Use for combine with GH014.	#25GB

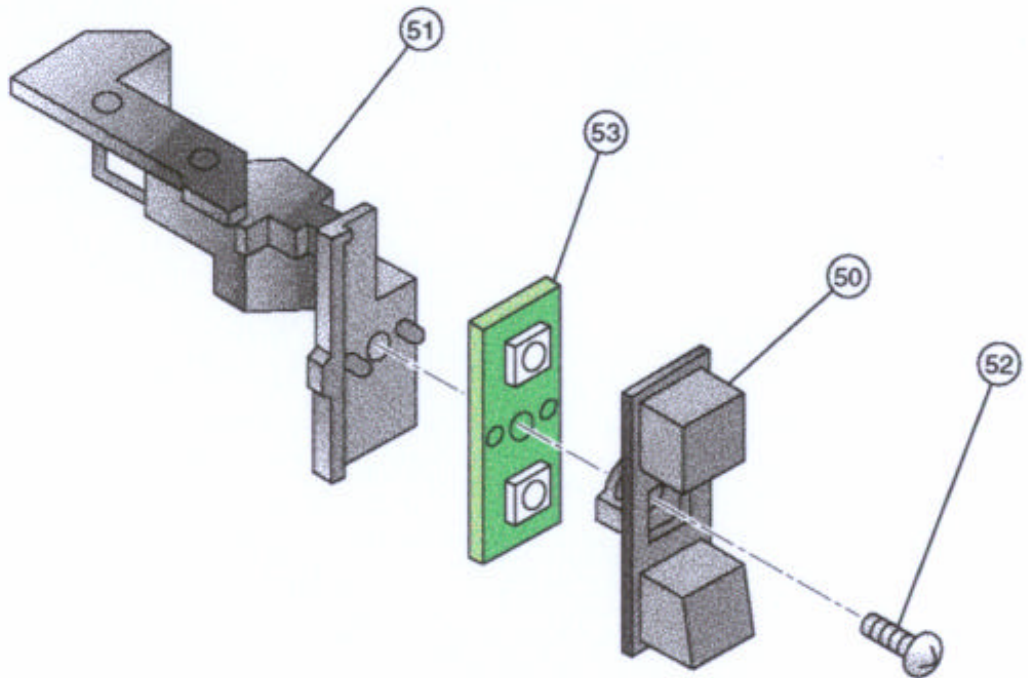
Fan and Rear Panel Block



Ref-No.	Part No.	Description	Remark	Place code
63	1-763-480-23	DC. FAN		#74
63	1-763-544-22	FAN, DC		#74
63	1-763-756-11	FAN, DC		#74
64	1-771-995-31	SWITCH, POWER (WITH AC INLET)		#00
64	1-786-209-21	SWITCH, POWER (AC INLET)		#00
159	3-068-676-12	PANEL, REAR		#87
BV312	3-325-679-21	SCREW, TAPPING +BV 3X12		#87

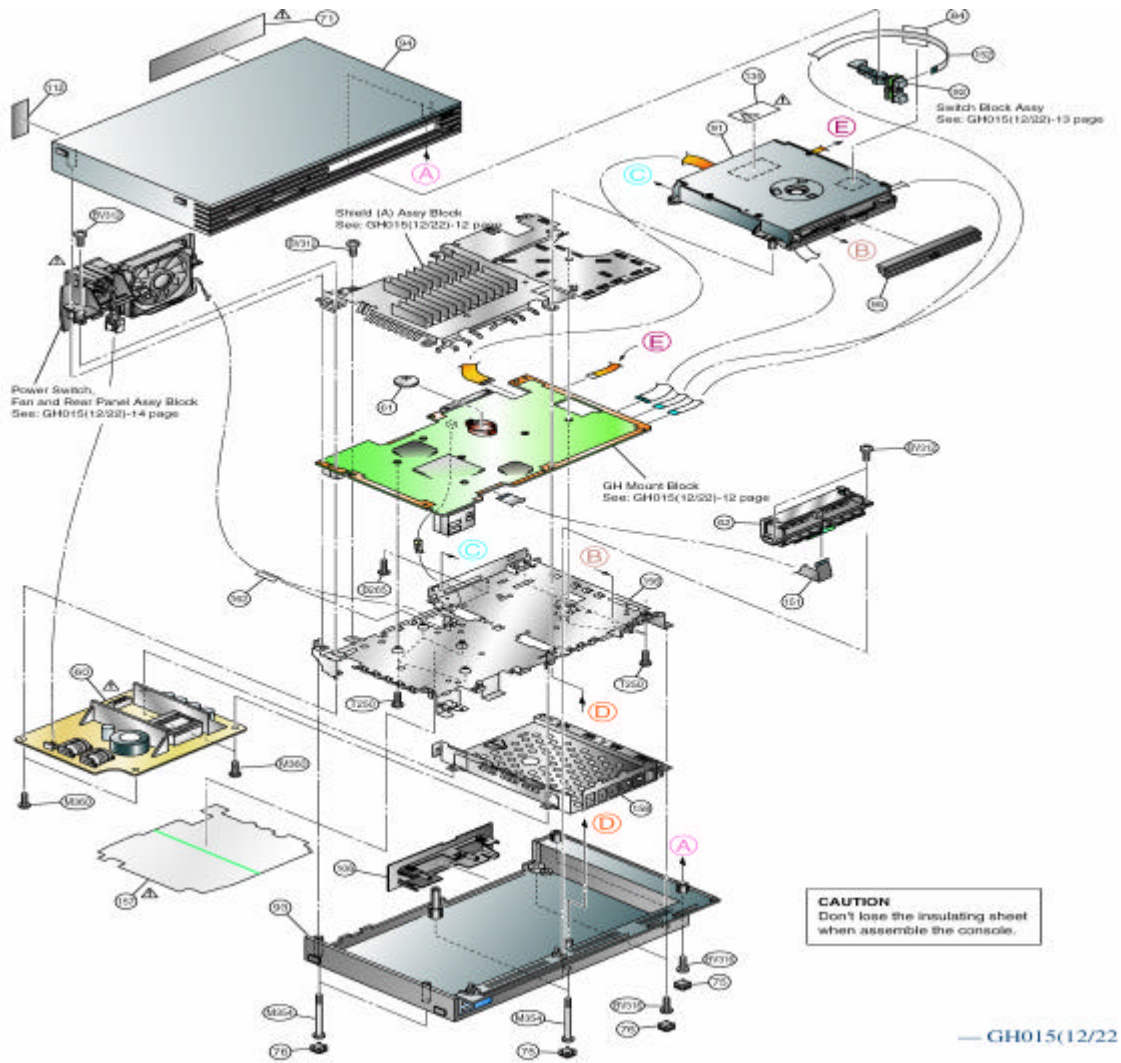
REPAIR PARTS LIST - EXPLODED VIEWS - SCPH-30000 series and SCPH-35000 series (D, D')

(92) Switch Assy Block



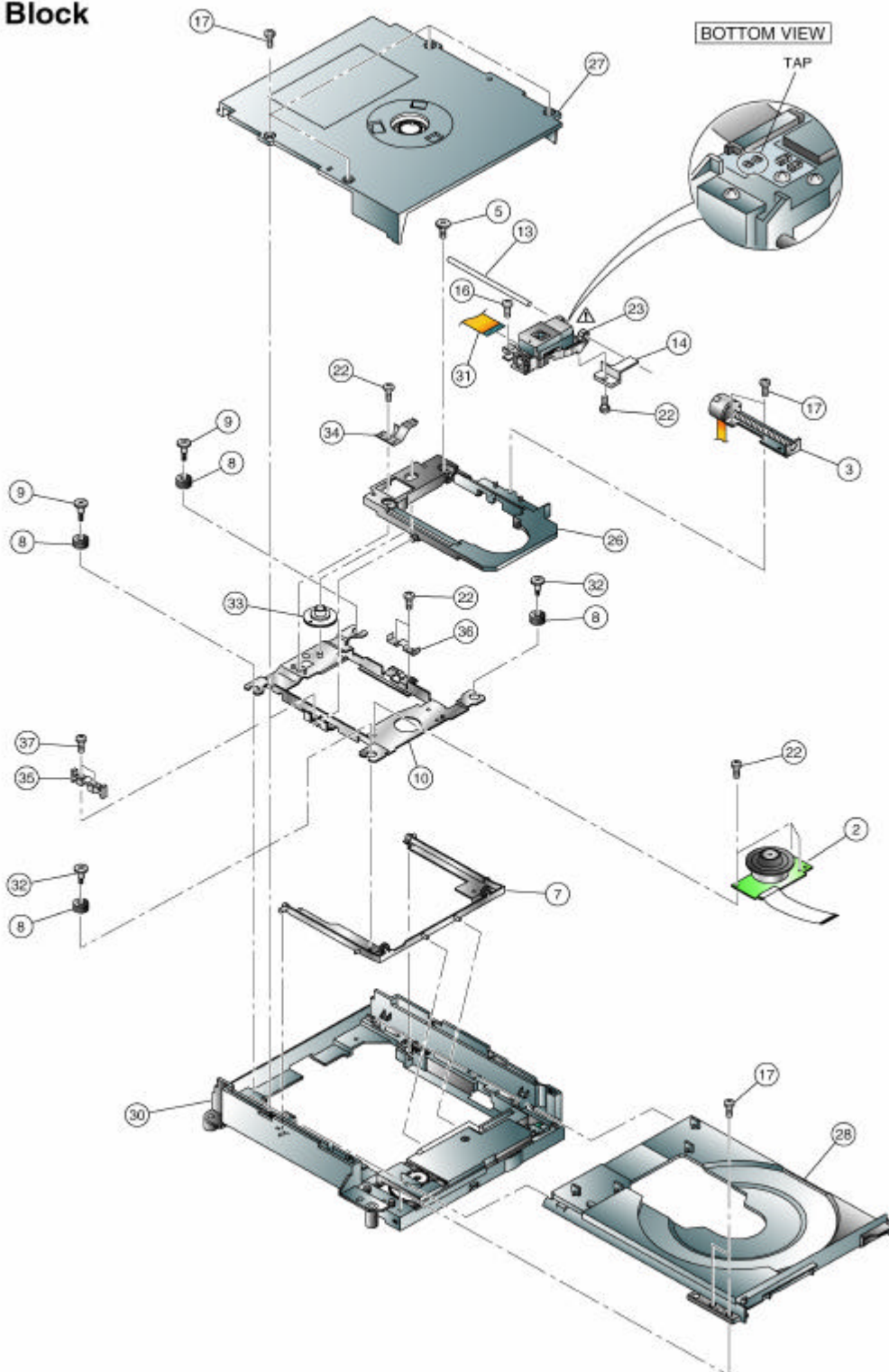
Ref-No. code	Part No.	Description	Remark	Place
92	A-6705-338-A	SWITECH BLOCK ASSY	<i>Used for combine with GH010.</i>	#25SW
92	A-6705-424-A	SWITECH BLOCK ASSY	<i>Used for combine with GH013.</i>	#25SW
92	A-6705-401-A	SWITECH BLOCK ASSY	<i>Used for combine with GH012/GH014.</i>	#25SW
50	3-059-665-03	BUTTON, SWITCH		#25SW
51	3-059-666-05	BRACKET, SWITCH		#25SW
51	3-066-494-01	BRACKET, SWITCH		#25SW
52	7-685-105-11	TPG +P 2X8, TYPE 2, NON-SLIT		#25SW

Overall and Main Block for SCPH-30002 R(AU3) /-30003 R(CEK) /-30004 R(CEL) (F)



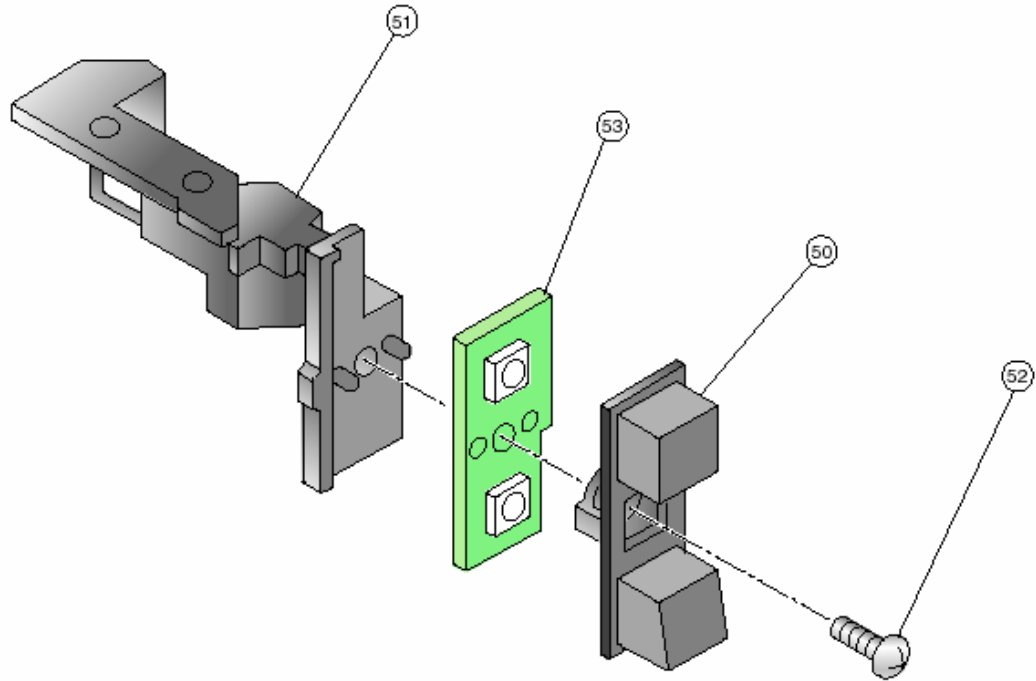
<u>Ref-No.</u>	<u>Part No.</u>	<u>Description</u>	<u>Remark</u>	<u>Place</u>
60	1-468-605-11	POWER BLOCK	for 220-240V AC	#00
60	1-468-605-21	POWER BLOCK	for 220-240V AC	#00
61	1-528-174-41	BATTERY, LITHIUM (CR2032 TYPE)		#25GH
62	1-694-873-11	TERMINAL BOARD (FRONT)		#17
62	1-694-874-11	TERMINAL BOARD (FRONT)		#17
62	1-694-875-11	TERMINAL BOARD (FRONT)		#17
75	3-059-626-03	COVER, SCREW		#22
76	3-059-627-01	CAP		#22
84	3-067-170-01	TAPE (20X20), HARNESS STOPPER		#87
93	X-3951-722-2	COVER ASSY, LOWER		#87
95	X-3951-099-1	PLATE ASSY, ORNAMENTAL		#87
106	3-070-847-11	LID		#87
112	3-066-498-01	TAPE, VOID		#87
151	1-757-934-11	CABLE, FLEXIBLE FLAT (FFC-011)		#12
151	1-757-934-21	CABLE, FLEXIBLE FLAT (FFC-011)		#12
151	1-757-934-31	CABLE, FLEXIBLE FLAT (FFC-011)		#12
152	1-823-341-11	CABLE, FLEXIBLE FLAT (FFC-015)		#12
152	1-823-341-21	CABLE, FLEXIBLE FLAT (FFC-015)		#12
157	3-071-971-01	SHEET, INSULATING		#16
158	3-071-973-01	SHIELD HDD (F)		#87
162	3-069-212-01	TAPE, HARNESS STOPPER		#87
BV312	3-325-679-21	SCREW, TAPPING +BV 3X12		#87
BV316	3-325-679-91	TAPPING +BV 3X16		#87
M354	3-059-622-02	SCREW (M3X54), HEAD TAPPING		#87
M360	3-069-168-01	TITE (CZN), M3X6 +BV S		#87

MD Block



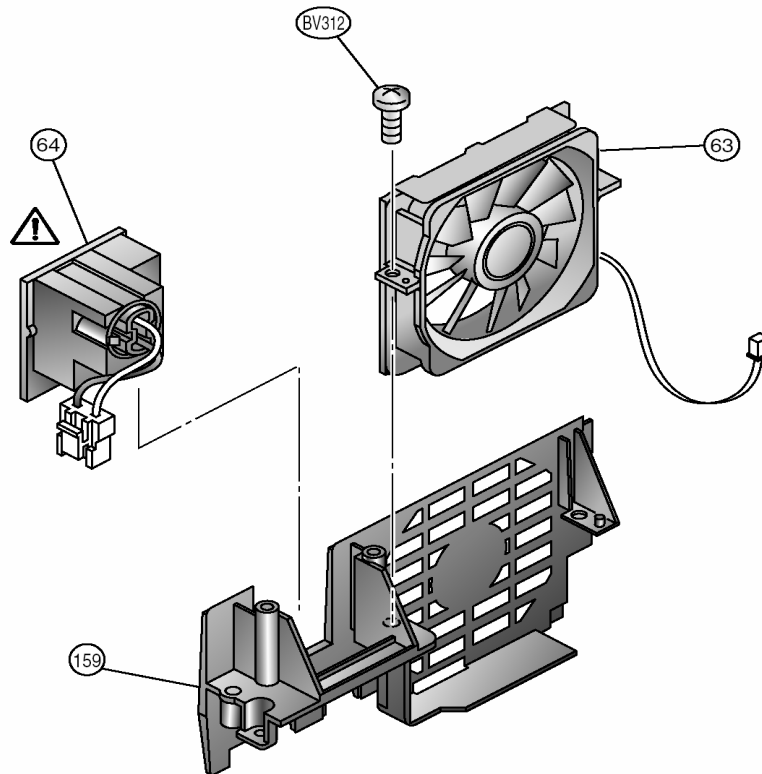
<u>Ref-No.</u>	<u>Part No.</u>	<u>Description</u>	<u>Remark</u>	<u>Place</u>
17	3-060-400-01	TAPPING (B2X6.5)		#10
27	X-3952-059-1	BRACKET ASSY, PULLEY		#10
28	X-3952-060-1	TRAY ASSY		#10TR
31	1-680-370-21	PWB, FLEXIBLE		#10

Switch Assy Block



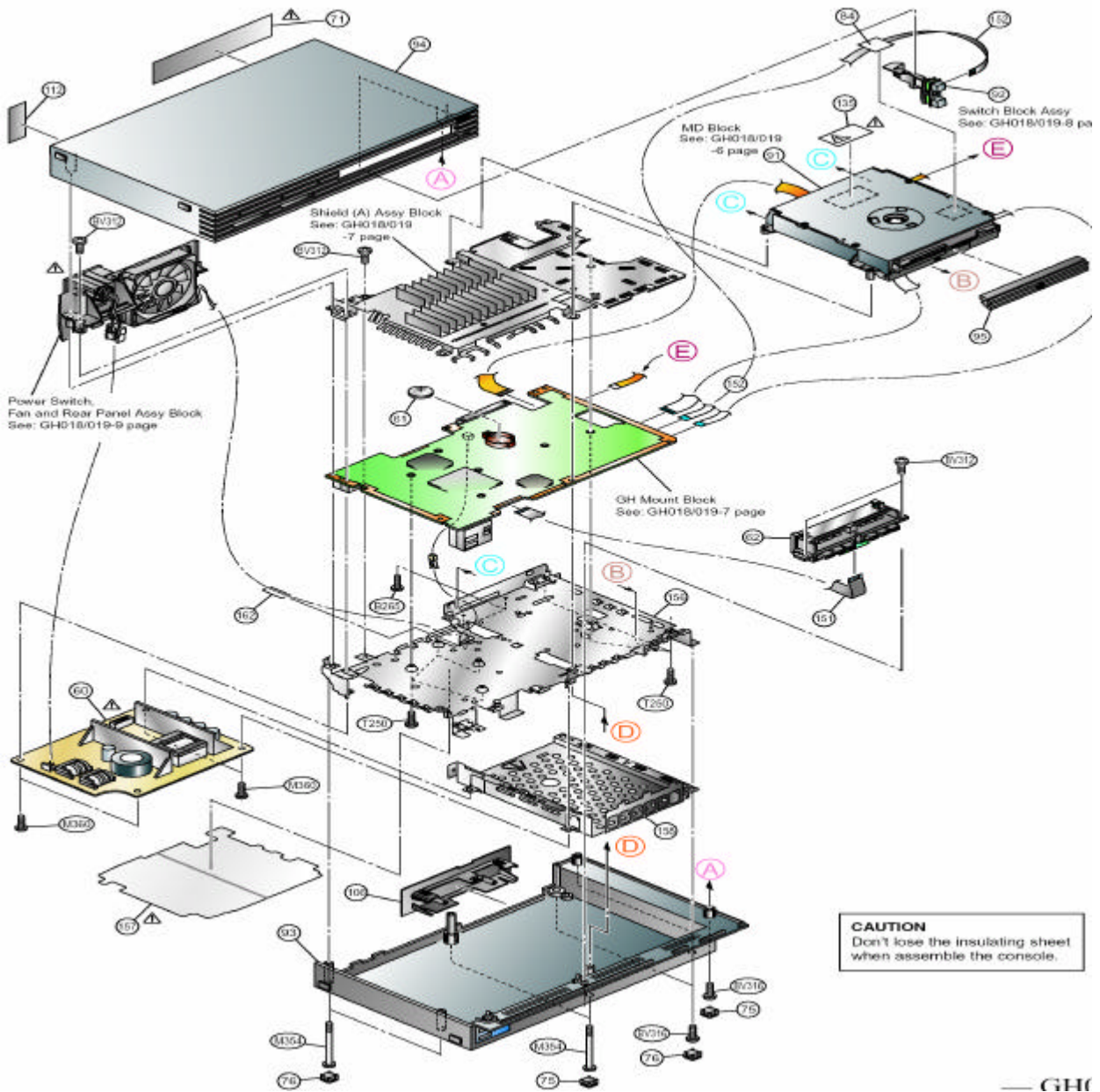
<u>Ref-No.</u>	<u>Part No.</u>	<u>Description</u>	<u>Remark</u>	<u>Place</u>
50	3-059-665-03	BUTTON, SWITCH		#25SW
51	3-059-666-05	BRACKET, SWITCH		#25SW
51	3-066-494-01	BRACKET, SWITCH		#25SW
52	7-685-105-11	TPG +P 2X8, TYPE 2, NON-SLIT		#25SW
53	A-6715-500-A	sw-367 COMPL		#25SW
	A-6714-500-A	SW-367 MOUNT		
53	A-6787-465-A	sw-367 COMPL (VA)		#25SW
	A-6787-466-A	SW-367 MOUNT (VA)		

Power Switch, Fan and Rear Panel Assy Block



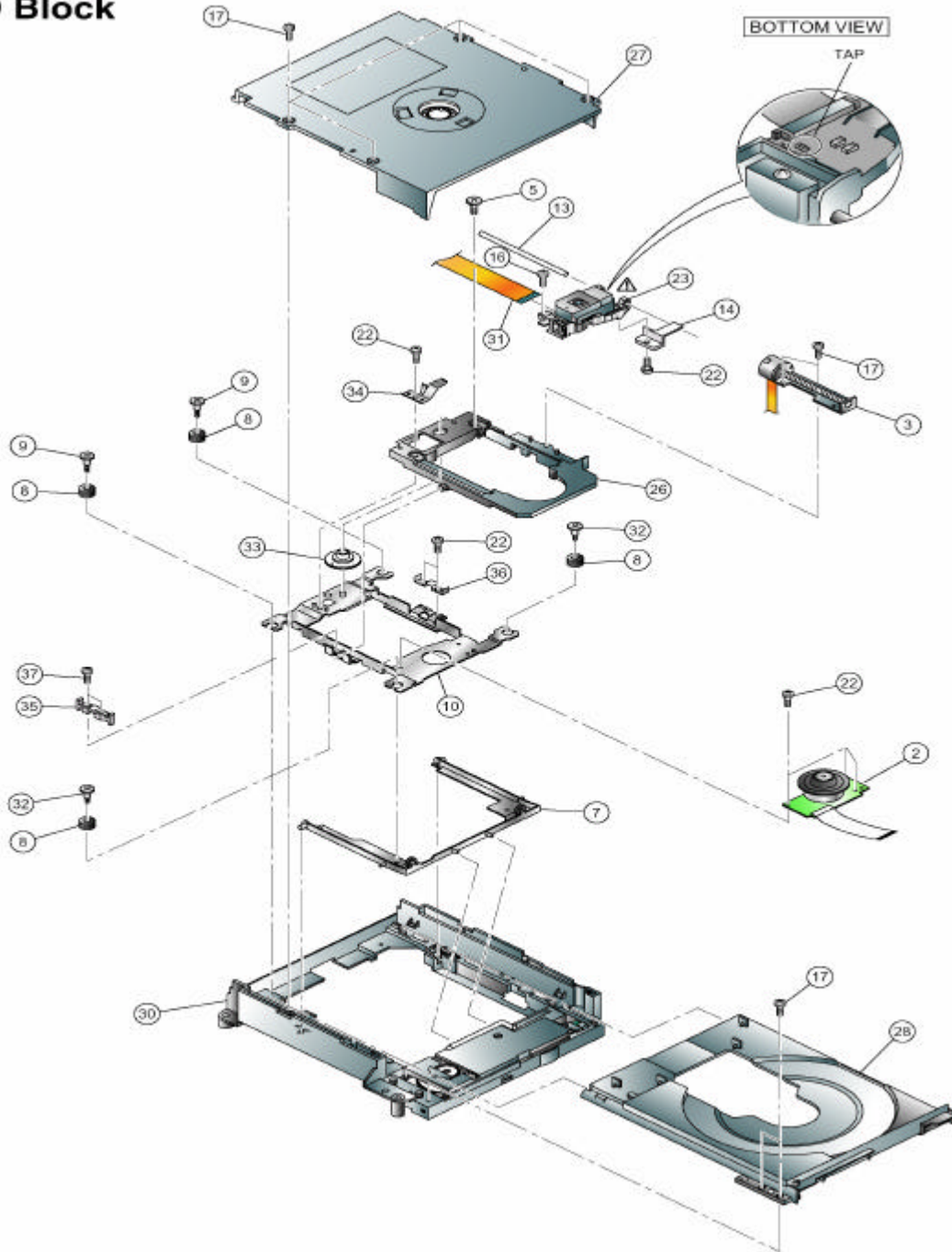
<u>Ref-No.</u>	<u>Part No.</u>	<u>Description</u>	<u>Remark</u>	<u>Place</u>
63	1-763-480-31	DC.FAN		#74
63	1-763-554-31	FAN DC.		#74
63	1-763-756-21	FAN DC.		#74
64	1-771-994-31	SWITCH, POWER (WITH AC INLET) for SCPH-30001 R		#00
64	1-786-209-21	SWITCH, POWER (WITH AC INLET) for SCPH-30002 R /-30003 R /-30004 R		
		SWITCH, POWER (WITH AC INLET) for SCPH-30005 R /-30006 R /-30007 R		
159	3-071-901-01	PANEL, REAR	for SCPH-30001 R/-30005 R	#87
159	3-071-901-11	PANEL, REAR	for SCPH-30002 R/-30003 R/-30004 R	
			SCPH-30006 R/-30007 R	#87
BV312	3-325-679-21	SCREW, TAPPING +BV 3X12		#87

Overall and Main Block for SCPH-39002 / 39003 / 39004 / 39008 (G)



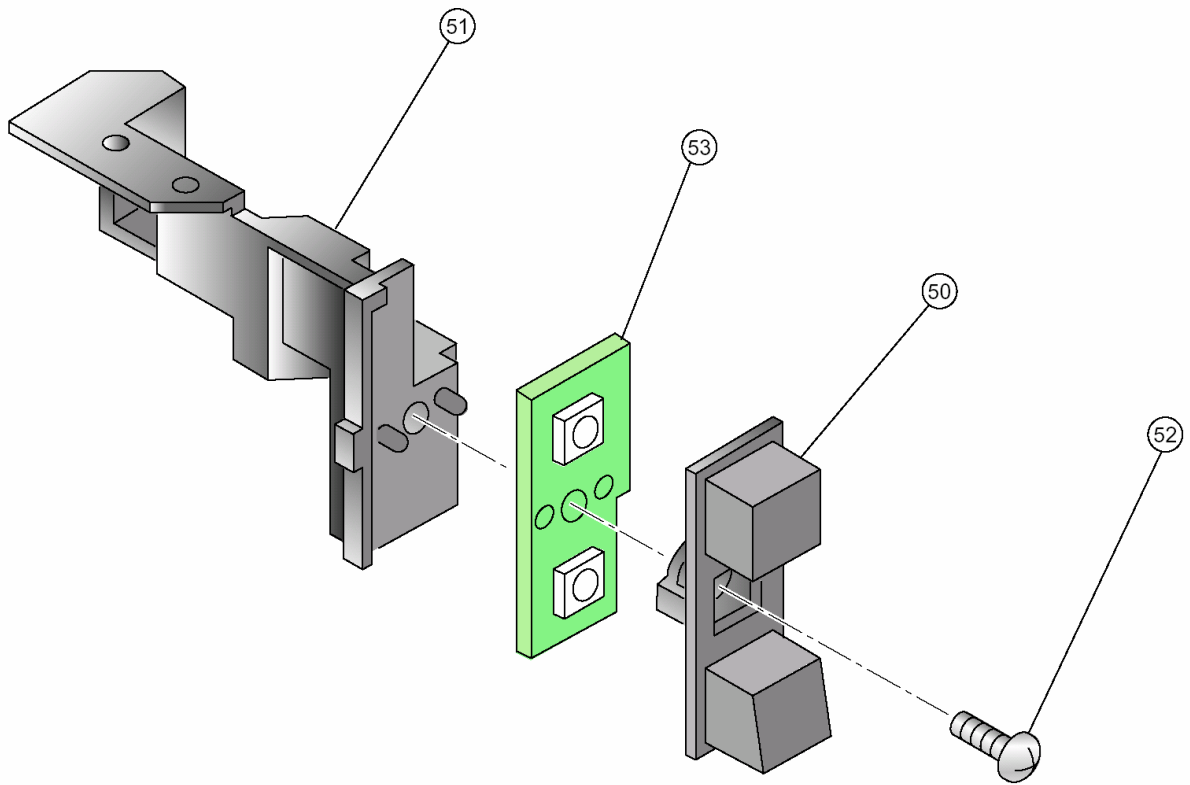
<u>Ref-No.</u>	<u>Part No.</u>	<u>Description</u>	<u>Remark</u>	<u>Place code</u>
60	1-468-605-31	POWER BLOCK for 220-240V AC		#00
61	1-528-174-41	BATTERY, LITHIUM (CR2032 TYPE)		#25GH
62	1-694-875-11	TERMINAL BOARD (FRONT)		#17
75	3-059-626-03	COVER, SCREW		#22
76	3-059-627-01	CAP		#22
84	3-067-170-01	TAPE (20X20), HARNESS STOPPER		#87
92	A-6787-644-A	SWITCH BLOCK ASSY		#87
93	X-3951-706-2	COVER ASSY, LOWER		#87
95	X-3951-099-1	PLATE ASSY, ORNAMENTAL		#87
106	3-070-847-01	LID		#87
112	3-066-498-01	TAPE, VOID		#87
112	3-079-117-01	TAPE, VOID (For SCPH-39008)		#87
151	1-757-934-11	CABLE, FLEXIBLE FLAT (FFC-011)		#12
152	1-823-341-11	CABLE, FLEXIBLE FLAT (FFC-015)		#12
157	3-071-971-01	SHEET, INSULATING		#16
158	3-071-973-01	SHIELD HDD (F)		#87
162	3-069-212-01	TAPE, HARNESS STOPPER		#87
B265	3-069-170-01	TAPPING (B2X6.5)		#87
BV312	3-325-679-21	SCREW, TAPPING +BV 3X12		#87
BV316	3-070-296-01	TAPPING +BV 3X16		#87
M354	3-059-622-02	SCREW (M3X54), HEAD TAPPING		#87
M360	3-069-168-01	TITE (CZN) M3X6 +BV S		#87
T250	3-071-976-01	TAPPING (2X5)		#87

MD Block



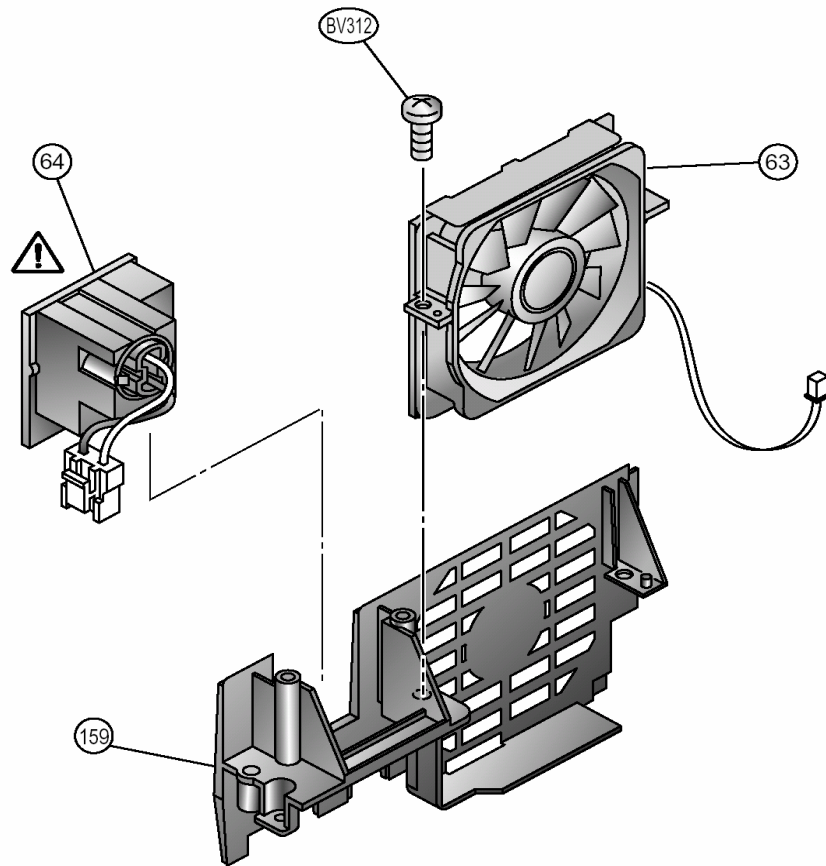
<u>Ref-No.</u>	<u>Part No.</u>	<u>Description</u>	<u>Remark</u>	<u>Place code</u>
17	3-060-400-01	TAPPING (B2X6.5)		#10
27	X-3952-059-1	BRACKET ASSY, PULLEY		#10
28	X-3952-060-1	TRAY ASSY		#10TR
31	1-680-370-22	PWB, FLEXIBLE		#10

Switch Assy Blockfor SCPH-39002 / 39003 / 39004 / 39008 (G)



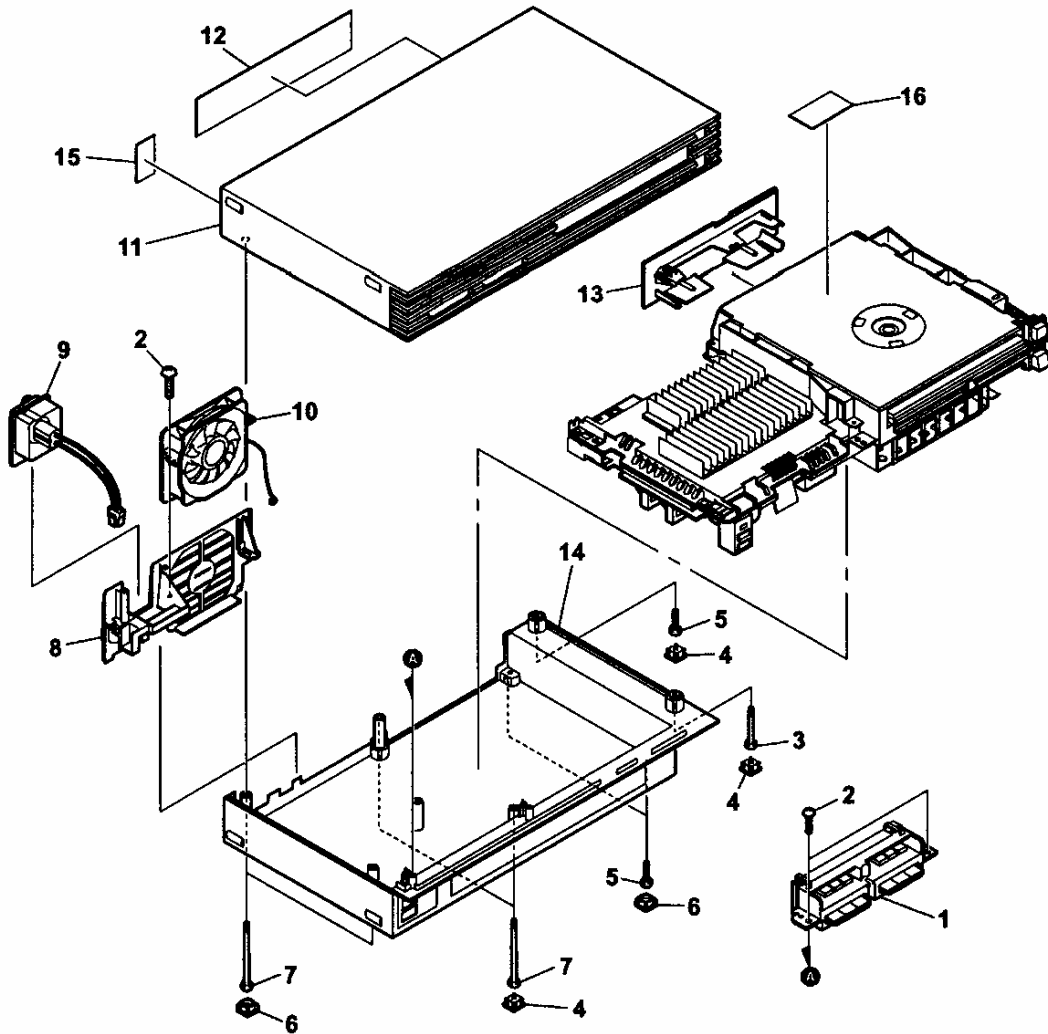
<u>Ref-No.</u>	<u>Part No.</u>	<u>Description</u>	<u>Remark</u>	<u>Place code</u>
50	3-059-665-03	BUTTON, SWITCH		#25SW
51	3-059-666-05	BRACKET, SWITCH		#25SW
51	3-066-494-01	BRACKET, SWITCH		#25SW
52	7-685-105-11	TPG +P 2X8, TYPE 2, NON-SLIT		#25SW
53	A-6787-551-A	COMPLETE PWB (VA), SW-373	Use with GH018 MOUNT	#25SW
53	A-6787-553-A	COMPLETE PWB (VA), SW-373(VA)	Use with GH018 MOUNT	#25SW
53	A-6787-645-A	COMPLETE PWB (VA), SW-382	Use with GH019 MOUNT	#25SW
53	A-6787-647-A	COMPLETE PWB (VA), SW-382(VA)	Use with GH019 MOUNT	#25SW
53	A-6787-976-A	COMPLETE PWB, SW-393	Use with GH022 MOUNT	#25SW
53	A-6787-978-A	COMPLETE PWB (VA), SW-393	Use with GH022 MOUNT	#25SW

Power Switch, Fan and Rear Panel Assy Blockfor SCPH-39002 / 39003 / 39004 / 39008 (G)



<u>Ref-No.</u>	<u>Part No.</u>	<u>Description</u>	<u>Remark</u>	<u>Place code</u>
63	1-763-480-31	DC. FAN		#74
64	1-786-209-21	SWITCH, POWER (WITH AC INLET)		#00
159	3-071-901-01	PANEL, REAR		#87
BV312	3-325-679-21	SCREW, TAPPING +BV 3X12		#87

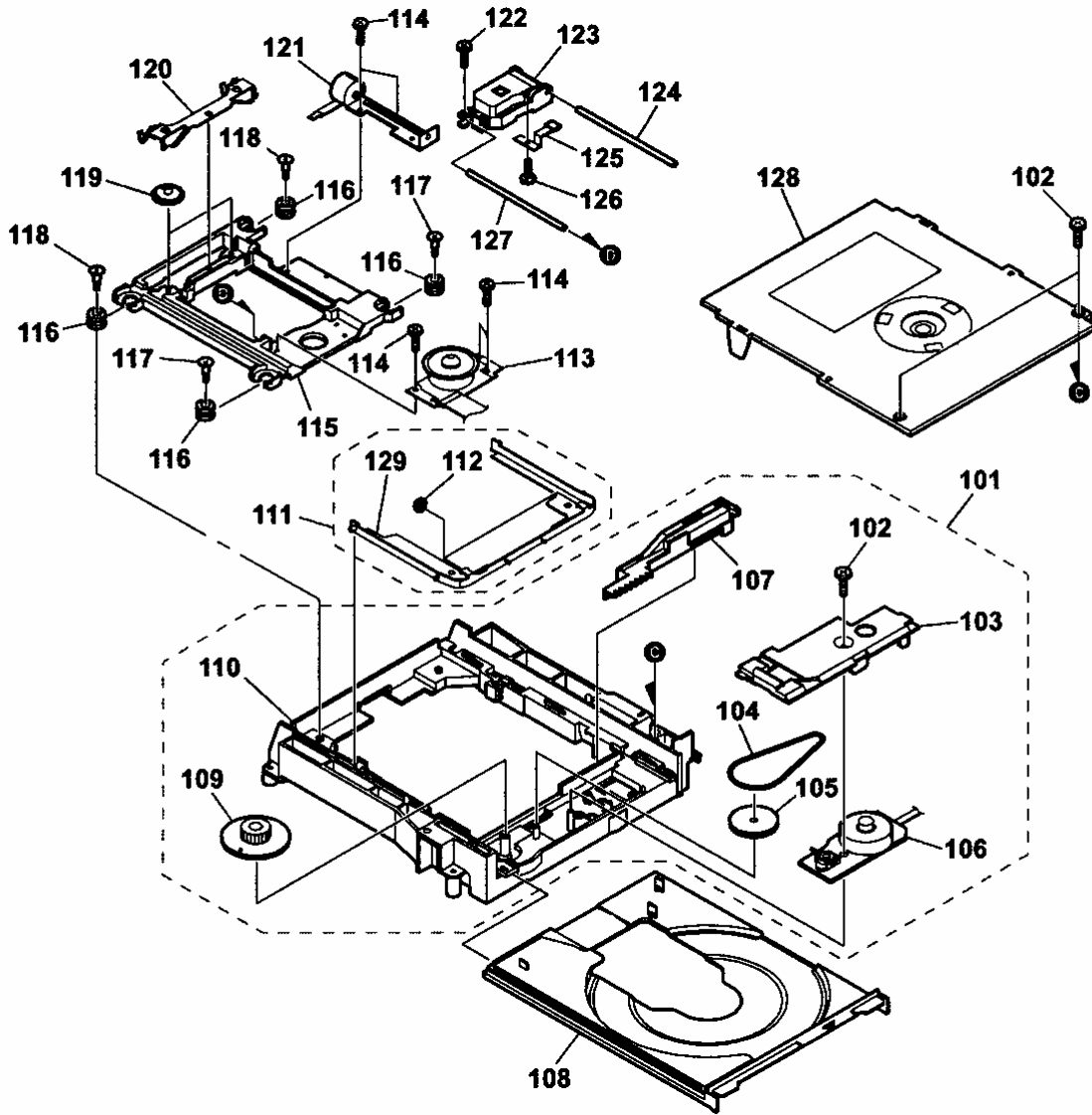
Overall and Main Block for SCPH-50002 / 50003 / 50004 / 50008 (H & H SS)



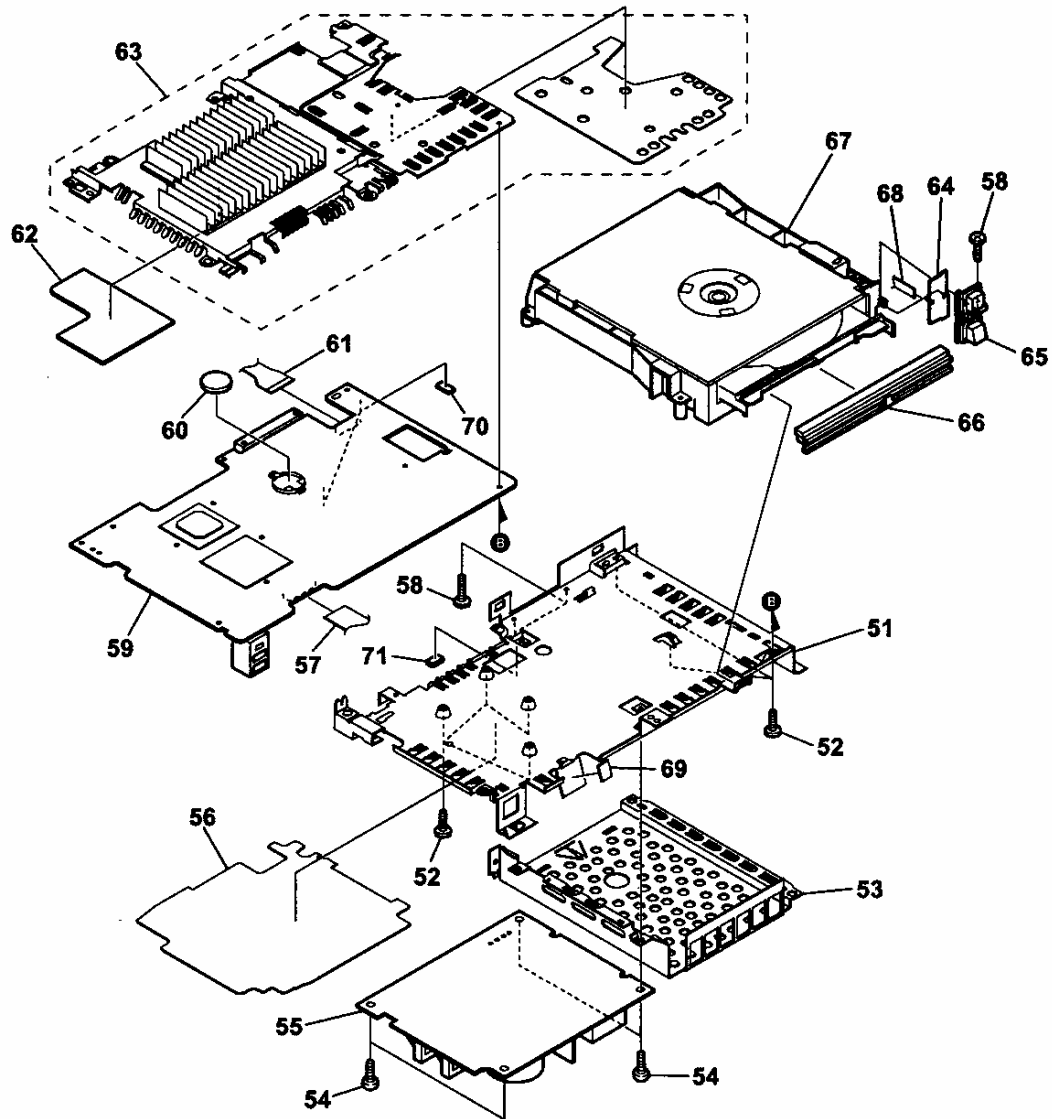
<u>Ref-No.</u>	<u>Part No.</u>	<u>Description</u>
1	169487513	TERMINAL BOARD (FRONT)
2	307455511	SCREW, +BV TAPPING
3	308452101	SCREW (M3X27), TAPPING
4	307454801	COVER, SCREW
5	307455501	SCREW, +BV TAPPING
6	307454901	CAP
7	307455601	SCREW, BRAZIER HEAD P TIGHT
8	308450601	PANEL (H), REAR
9	178634551	SWITCH, POWER (WITH AC INLET)
10	178700911	FAN, D.C.
13	307455001	LID
14	X39535861	COVER (H) ASSY, LOWER (H)
14	X39537401	COVER (H) ASSY, LOWER Silver (H SS)
14	X39542641	COVER (H) ASSY, LOWER Aqua (H AQ)
15	306625301	TAPE, VOID

MD Block for SCPH-50002 / 50003 / 50004 / 50008

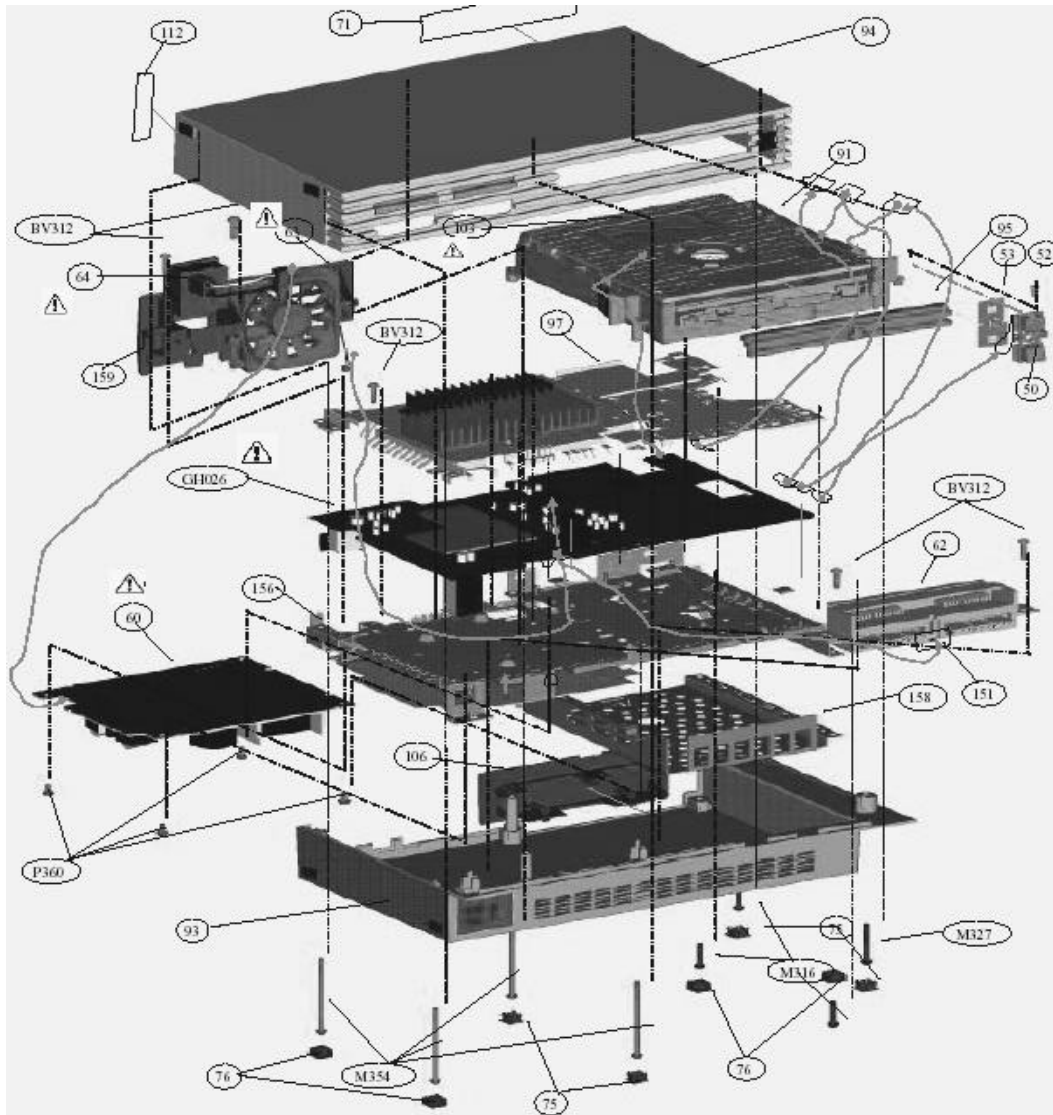
(H & H SS)



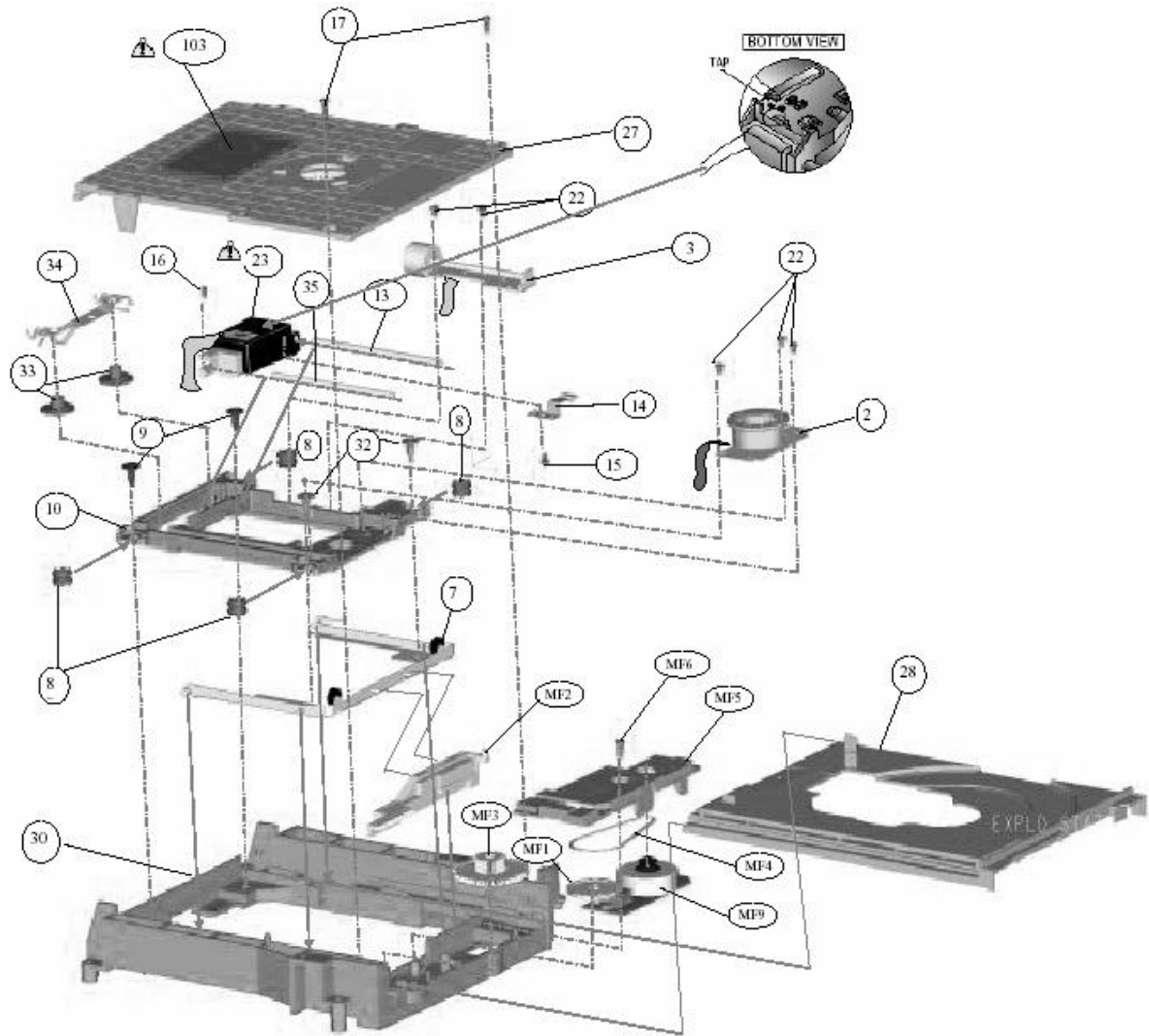
<u>Ref-No.</u>	<u>Part No.</u>	<u>Description</u>
102	306040001	TAPPING (B2X6.5)
108	308452201	TRAY (H)
128	X39535891	BRACKET (H) ASSY, PULLEY



<u>Ref-No.</u>	<u>Part No.</u>	<u>Description</u>
54	307455301	TITE (CZN), M3X6 +BV S
55	146875821	POWER BLOCK (SWITCHING REGULATOR)
56	308451901	SHEET (H), INSULATING
57	175793411	CABLE, FLAT (FFC-011)
58	308452001	SCREW (B2X6.5B), TAPPING
61	168037023	FLEXIBLE BOARD
62	308029301	SHEET (A), ELECTRIC HEAT
63	X39535881	SHIELD (A) (H) ASSY
65	308450901	BUTTON (H), SWITCH
66	X39535871	PLATE (H) ASSY, ORNAMENTAL (H)
66	X39537411	PLATE (H) ASSY, ORNAMENTAL SILVER (H SS)
66	X39542651	PLATE (H) ASSY, ORNAMENTAL AQUA (H AQ)
68	182715011	CABLE, FLEXIBLE FLAT (FFC-019)
69	308558901	SPACER (H)
70	308029401	SHEET (DRIVER), ELECTRIC HEAT



<u>Ref-No.</u>	<u>Part No.</u>	<u>Description</u>
52	306040001	TAPPING (B2X6.5)
53	A6800233A	SW-398 BOARD, COMPLETE
60	146875821	POWER BLOCK (SWITCHING REGULATOR)
60	146875841	POWER BLOCK (SWITCHING REGULATOR)
60	146875921	POWER BLOCK (SWITCHING REGULATOR)
60	146876011	POWER BLOCK (SWITCHING REGULATOR)
62	169487311	TERMINAL BOARD (FRONT)
62	169487312	TERMINAL BOARD (FRONT)
62	169487513	TERMINAL BOARD (FRONT)
62	169487521	TERMINAL BOARD (FRONT)
63	178700911	FAN, D.C.
63	178703511	FAN, D.C.
63	178703611	FAN, D.C.
64	178620931	SWITCH, POWER (WITH AC INLET)
64	178634551	SWITCH, POWER (WITH AC INLET)
75	307454801	COVER, SCREW
75	308587701	COVER, SCREW 50002/3/4SS
76	307454901	CAP
93	X39535861	COVER ASSY, LOWER 50002/3/4
93	X39537401	COVER ASSY, LOWER 50002/3/4SS
95	X39533051	PLATE (H) ASSY, ORNAMENTAL
95	X39537411	PLATE (H) ASSY, ORNAMENTAL 50002/3/4SS
106	307589901	TAPE, VOID
151	175793411	CABLE, FLAT (FFC-011)
158	308451301	SHIELD (HDD) (H)
159	308450601	PANEL (H), REAR
BV312	307029601	TAPPING +BV 3X16
CR2032	52817451	BATTERY, LITHIUM (CR2032 TYPE)



<u>Ref-No.</u>	<u>Part No.</u>	<u>Description</u>
17	306040001	TAPPING (B2X6.5)
27	X39520591	BRACKET ASSY, PULLEY
28	308452201	TRAY (H)
31	168037022	PWB, FLEXIBLE

PS2 Peripherals

<u>Ref-No.</u>	<u>Part No.</u>	<u>Description</u>
AC EURO	157513182	CORD, POWER
CONV	157329111	CONNECTOR, CONVERSION
AV	179202831	AV CABLE
CONT	182355212	ANALOG CONTROLLER(DUAL SHOCK 2)
CONT	182770211	ANALOG CONTROLLER(DUAL SHOCK 2) SILVER
CONT	182881911	ANALOG CONTROLLER(DUAL SHOCK 2) AQUA

10. QUALITY ASSURANCE TEST (QA TEST)

<u>Ref-No.</u>	<u>Part No.</u>	<u>Description</u>	<u>Remark</u>
n/a	J-250-407-3A	SVD 4514	
n/a	J-250-407-0A	SCD 4515	
n/a	J-2504-118-A	SVD-E94075	SCPH 39003/4, SCPH 50003/4/8 & SS & AQ

QA-Test-disc is supplied as a spare part. If the units pass test with PS-game, PS2-game and DVD, EVERY unit needs a QA-test and has to pass the QA-test. After the QA-test, an aging-test with a PlayStationR2-demo disc needs to be done during two hours. If the unit passes this test, the unit can be considered as repaired and can be returned to the customer. The following QA-Test guidelines should be followed:

To perform the QA-test, the following equipment is required:

- Test-CD: SCD 4515 and SVD 4514 and SVD-E94075 (available as spare part)
- 2 grey (PS) + 2 black (PS2) memory cards (not supplied)¹
- TV (not supplied)²
- Amplifier with OP dig out connection + loudspeaker (not supplied)²
- USB-cable (not supplied)²
- Optical Digital Cord (not supplied)²
- 2 Dual Shocks PS2

Note:

¹ Please use existing stock

² These equipments are generic equipment and should already be available at SSC and ACS.

Process-description:

1. Connect Power Cord, AV-cable & optical digital cord to the unit (Backside);
2. Connect USB-cable and insert the 2 grey memory cards and Dual Shocks (Front side);
3. Switch the Power ON & push the reset button;
4. Insert SCD 4515 test disc;
5. Check Audio and Video: CARD 0 and CARD 1 must be: OK;
6. Push R1 button on Dual Shock and check Audio and Video;
7. Push L1 button on Dual Shock and check Audio and Video;
8. Remove SCD 4515, insert SVD 4515 and push the reset-button;
9. Replace grey memory cards with the black ones;
10. Check Screen " PS2 check disc V2.00" All items must be OK;
11. Push L1, R1 and red O-button together and " Check V-RAM" OK, push red O-button again and V-RAM: OK;
12. Push red O-button and check Audio (TV + Loudspeaker) and Video;
13. Push red O-button and check Audio and Video;
14. Push red O-button "RD-RAM-test 0.02" OK;
15. Push red O-button "HDD-connector-test" OK;
16. Remove disc and switch off the unit.

Date	Written by	Approved by
09-Nov-2001		
	Warllen Duque Compliance Manager Sony Computer Entertainment Europe	Mike Nabarro Vice-President of Technical Services Sony Computer Entertainment Europe

*** end of page ***