



SCPH-100 SERIES

SERVICE MANUAL

5th Edition



PS one™



Sony Computer Entertainment Inc.
Customer Service Department
Published in Japan c.12.2001 9-927-088-03

Notice

This manual is copyrighted by Sony Computer Entertainment Inc. All rights Reserved.

No re-produced or transferred required except permission by Sony Computer Entertainment Inc.

No commercial use and rental required.

Revisions

This manual compiled by 5th edition of SCPH-100's Design data.

Design and specifications will be subject to change without notice.

So, the latest versions of Service Manual, Technical Memo and SCEI. Service Promotion Dept.'s Home Page "PS SERVICE PLAZA" should be used together with this manual.

PS SERVICE PLAZA web site: <http://svc.scei.sony.co.jp/>

TABLE OF CONTENTS

1. SPECIFICATIONS	1-1
2. EXPLODED VIEW	
2-1. Main Block	2-1
3. ADJUSTMENTS	
3-1. Check Specification	3-1
3-2. Adjustment & Check Tool	3-2
3-3. Attention	3-2
4. BLOCK DIAGRAM	
4-1. Overall Block Diagram (PM-41 (-11/-21/-31/-41/-51/-61) Board)	4-1
4-2. Overall Block Diagram (PM-41 (-71) Board)	4-3
5. DIAGRAMS	
5-1. Printed Wiring Board (PM-41 (-11) Board) (SCPH-100)	5-1
5-2. Printed Wiring Board (PM-41 (-21/-31) Board) (SCPH-100/101/102)	5-3
5-3. Printed Wiring Board (PM-41 (-41/-51) Board) (SCPH-100/101/102/103) ..	5-5
5-4. Printed Wiring Board (PM-41 (-61) Board) (SCPH-100/101/102/103)	5-7
5-5. Printed Wiring Board (PM-41 (-71) Board) (SCPH-100/101/102/103)	5-9
5-6. Schematic Diagram (PM-41 (-11/-21/-31/-41/-51/-61) Board (1/15))	5-11
5-7. Schematic Diagram (PM-41 (-71) Board (2/15))	5-13
5-8. Schematic Diagram (PM-41 (-11/-21/-31) Board (3/15))	5-15
5-9. Schematic Diagram (PM-41 (-41/-51) Board (4/15))	5-17
5-10. Schematic Diagram (PM-41 (-61) Board (5/15))	5-19
5-11. Schematic Diagram (PM-41 (-71) Board (6/15))	5-21
5-12. Schematic Diagram (PM-41 (-11/-21/-31/-41/-51/-61) Board (7/15))	5-23
5-13. Schematic Diagram (PM-41 (-71) Board (8/15))	5-25
5-14. Schematic Diagram (PM-41 (-11/-21/-31/-41/-51/-61) Board (9/15))	5-27
5-15. Schematic Diagram (PM-41 (-71) Board (10/15))	5-29
5-16. Schematic Diagram (PM-41 (-11) Board (11/15))	5-31
5-17. Schematic Diagram (PM-41 (-21/-31/-41/-51/-61) Board (12/15))	5-33
5-18. Schematic Diagram (PM-41 (-71) Board (13/15))	5-35
5-19. Schematic Diagram (PM-41 (-11/-21/-31/-41/-51/-61) Board (14/15))	5-37
5-20. Schematic Diagram (PM-41 (-71) Board (15/15))	5-39
6. ELECTRICAL PARTS LIST	
• PM-41 Board	6-1

SECTION 1 SPECIFICATIONS

SCPH-100

General

Power requirements
DC IN 7.5 V

Power consumption
9 W

Dimensions
193 × 36 × 143 mm (w/h/d)

Mass
550 g

Operating Temperature
5°C - 35°C

Laser diode properties

- Material : GaAlAs
- Wavelength : λ=780 nm
- Emission duration : Continuous
- Laser output : Less than 44.6 μW
(measured at a distance of 200 mm from the lens surface on the optical pick-up block)

Inputs/outputs on the front

Controller ports (2)
MEMORY CARD slots (2)

Outputs on the rear

AV MULTI OUT connector (1)

AC power adaptor

Power requirements
100 V AC, 50/60 Hz

Output voltage and current
7.5 V, 2.0 A max.

Dimensions
50 × 27 × 78 mm (w/h/d)

Mass
160 g

Supplied accessories

AC Adaptor (1)
AV Cable
(integrated audio/video) (1)
Analog Controller
(DUALSHOCK™) (1)
Instruction Manual (1)

Design and specifications are subject to change without notice.

SCPH-103

General

Power requirements
DC IN 7.5 V

Power consumption
9 W

Dimensions
193 × 38 × 144 mm (w/h/d)

Mass
560 g

Operating Temperature
5°C - 35°C

Laser diode properties

- Material : GaAlAs
- Wavelength : λ=780 nm
- Emission duration : Continuous
- Laser output : Less than 44.6 μW
(measured at a distance of 200 mm from the lens surface on the optical pick-up block)

Inputs/outputs on the front

Controller ports (2)
MEMORY CARD slots (2)

Outputs on the rear

AV MULTI OUT connector (1)

Supplied accessories

AC Adaptor (1)
AV Cable
(integrated audio/video) (1)
Analog Controller
(DUALSHOCK™) (1)
Instruction Manual (1)

Design and specifications are subject to change without notice.

SCPH-101

General

Power requirements
DC IN 7.5 V

Power consumption
9 W

Dimensions
193 × 38 × 144 mm (w/h/d)
(7 5/8 × 1 1/2 × 5 3/4 inches)

Mass
560 g (1 lb 3 oz)

Operating Temperature
41°F - 95°F (5°C - 35°C)

Laser diode properties

- Material : GaAlAs
- Wavelength : λ=780 nm
- Emission duration : Continuous
- Laser output : Less than 44.6 μW
(measured at a distance of 200 mm from the lens surface on the optical pick-up block)

Inputs/outputs on the front

Controller ports (2)
MEMORY CARD slots (2)

Outputs on the rear

AV MULTI OUT connector (1)

Supplied accessories

AC Adaptor (1)
AV Cable
(integrated audio/video) (1)
Analog Controller
(DUALSHOCK™) (1)
Instruction Manual (1)

Design and specifications are subject to change without notice.

SCPH-102

General

Power requirements
DC IN 7.5 V

Power consumption
9 W

Dimensions
193 × 38 × 144 mm (w/h/d)

Mass
560 g

Operating Temperature
41°F - 95°F (5°C - 35°C)

Laser diode properties

- Material : GaAlAs
- Wavelength : λ=780 nm
- Emission duration : Continuous
- Laser output : Less than 44.6 μW
(measured at a distance of 200 mm from the lens surface on the optical pick-up block)

Inputs/outputs on the front

Controller ports (2)
MEMORY CARD slots (2)

Outputs on the rear

AV MULTI OUT connector (1)

Supplied accessories

AC Adaptor (1)
AV Cable
(integrated audio/video) (1)
Analog Controller
(DUALSHOCK™) (1)
Instruction Manual (1)

Design and specifications are subject to change without notice.

SECTION 2 EXPLODED VIEW

NOTE:

- The mechanical parts with no reference number in the exploded views are not supplied.
- -XX and -X mean standardized parts, so they may have some difference from the original one.
- Accessories and packing materials are given in the last of this parts list.

The components identified by mark Δ or dotted line with mark. Δ are critical for safety. Replace only with part number specified.

Les composants identifiés par une marque Δ sont critiques pour la sécurité. Ne les remplacer que par une pièce portant le numéro spécifié.

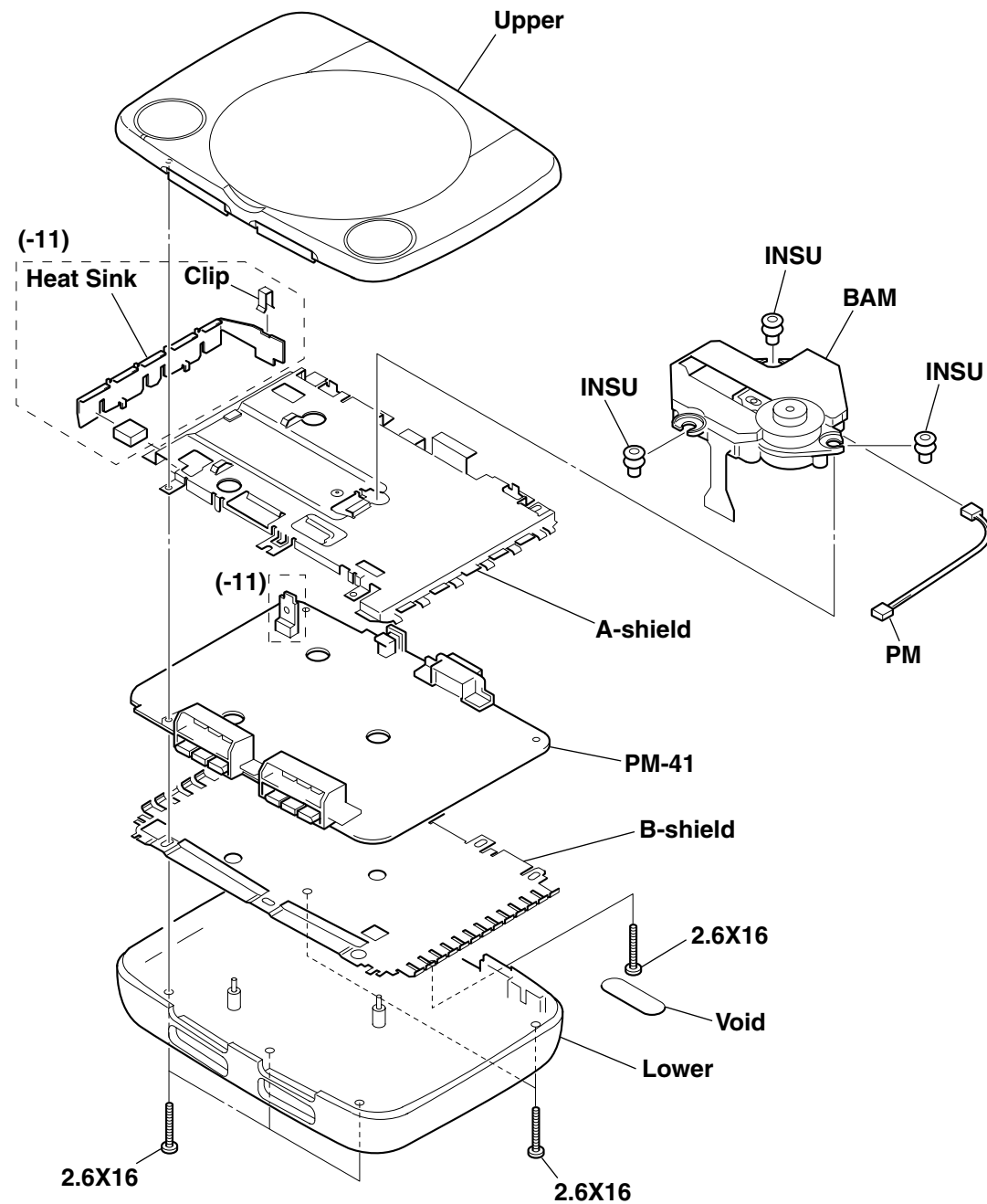
NOTE:

- SC Classification :
S : Stocked parts U : Unsupplied parts
O : Ordered parts

CAUTION

Use of controls or adjustments or performance of procedures other than those specified herein may result in hazardous radiation exposure.

2-1. MAIN BLOCK



SC	Ref. No.	Part No.	Description	Remark
O	A-shield	X-3950-906-1	SHIELD (A) ASSY (-11/-21/-31/-41/-51/-61)	
O	A-shield	X-3952-077-1	SHIELD (A) ASSY (-71)	
O	B-shield	3-063-429-01	SHIELD (B) (-11/-21/-31/-41/-51/-61)	
O	B-shield	3-069-803-01	SHIELD (B) (-71)	
S Δ	BAM	8-820-135-01	DEVICE, OPTICAL KSM-440BAM/C1NP	
O	Clip	3-063-704-01	CLIP (-11)	
O	Heat Sink	3-063-703-01	HEAT SINK (-11)	
S	INSU	3-063-428-01	INSULATOR (A) (-11)	
S	INSU	3-965-376-11	INSULATOR (-21/-31/-41/-51/-61/-71)	
O	Lower	X-3952-076-1	CABINET (LOWER) ASSY (100,102,103)	
O	Lower	X-3952-079-1	CABINET (LOWER) ASSY (101)	
O	PM	1-954-377-31	HARNESS (PM-86)	
O Δ	PM-41	A-6713-742-A	PM-41 BOARD, COMPLETE (100:-11/-21/-31)	
O Δ	PM-41	A-6713-768-A	PM-41 BOARD, COMPLETE (101:-21/-31)	
O Δ	PM-41	A-6713-776-A	PM-41 BOARD, COMPLETE (102:-21/-31)	
O Δ	PM-41	A-6713-853-A	PM-41 BOARD, COMPLETE (100:-41/-51)	
O Δ	PM-41	A-6713-854-A	PM-41 BOARD, COMPLETE (101:-41/-51)	
O Δ	PM-41	A-6713-855-A	PM-41 BOARD, COMPLETE (102:-41/-51)	
O Δ	PM-41	A-6713-864-A	PM-41 BOARD, COMPLETE (103:-41/-51)	
O Δ	PM-41	A-6713-902-A	PM-41 BOARD, COMPLETE (101:-61)	
O Δ	PM-41	A-6713-903-A	PM-41 BOARD, COMPLETE (100:-61)	
O Δ	PM-41	A-6713-904-A	PM-41 BOARD, COMPLETE (102:-61)	
O Δ	PM-41	A-6713-906-A	PM-41 BOARD, COMPLETE (103:-61)	
O Δ	PM-41	A-6715-470-A	PM-41 BOARD, COMPLETE (100:-71)	
O Δ	PM-41	A-6715-471-A	PM-41 BOARD, COMPLETE (101:-71)	
O Δ	PM-41	A-6715-483-A	PM-41 BOARD, COMPLETE (102:-71)	
O Δ	PM-41	A-6715-484-A	PM-41 BOARD, COMPLETE (103:-71)	
O	Upper	X-3952-075-1	CABINET (UPPER) ASSY (100,102,103)	
O	Upper	X-3952-078-1	CABINET (UPPER) ASSY (101)	
O	Void	3-064-752-01	TAPE, VOID (100)	
O	Void	3-065-630-01	TAPE (B), VOID (101)	
O	Void	3-065-656-01	TAPE (C), VOID (102)	
O	Void	3-066-884-02	TAPE (D), VOID (103)	
O	Void	3-075-101-01	TAPE (KR3), VOID (103D)	
O	2.6X16	3-063-705-01	SCREW (2.6X16), TAPPING	

The components identified by mark Δ or dotted line with mark. Δ are critical for safety. Replace only with part number specified.

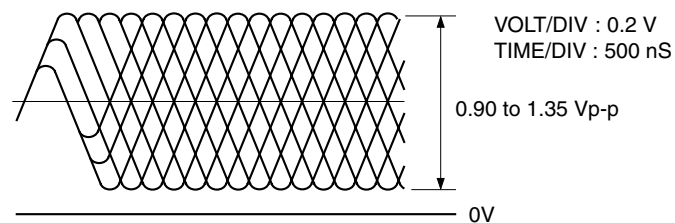
Les composants identifiés par une marque Δ sont critiques pour la sécurité. Ne les remplacer que par une pièce portant le numéro spécifié.

SECTION 3 ADJUSTMENTS

3-1. CHECK SPECIFICATION

RF level 0.90 to 1.35 Vp-p (Check point : Between CL704 (HOT) and CL710 (VC).)

- RF signal waveform (eye pattern)



Use SCD-2700 DISC when measured RF level.
Use the oscilloscope with input impedance more than 10 MΩ.

RF Jitter Below 9.0 nS (Measuring by KJM-6135S JITTER METER.)

Below 27.0 nS (Measuring by KJM-6235S JITTER METER.)

PP level 1.1 ± 0.6 Vp-p (Check point : Between CL776 (HOT) and CL710 (VC).)

Use LPF (fc = 10 kHz)

Tracking level 1.25 ± 0.65 Vp-p (Check point : Between CL709 (HOT) and CL710 (VC).)

Caution. Vc Line (CL710) do not make common use with GND line.

3-2. ADJUSTMENT & CHECK TOOL

SCD-2700 TEST DISC
(J-2504-010-A)

QA DISC

PTPX-97001 for Japan & Asia area.
(J-2504-013-A)

PUPX-93001 for USA & Canada area.
(J-2504-009-A)

PEPX-94001 for Europe, Australia, Galf area.
(J-2504-007-A)

AGING DISC

PTPX-97002 for Japan & Asia area.
(J-2504-019-A)

PUPX-93002 for USA & Canada area.
(J-2504-020-A)

PEPX-94002 for Europe, Australia, Galf area.
(J-2504-017-A)

ANALOG CONTROLLER SERVICE DISC

PTPX-97012 for Japan & Asia area.
(J-2504-021-A)

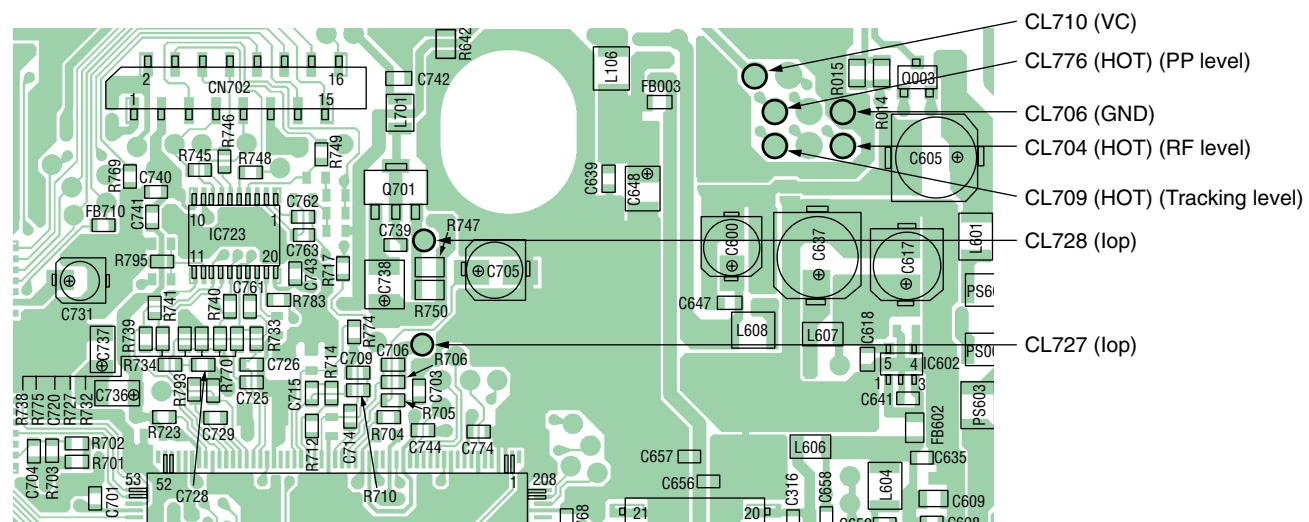
PUPX-93010 for USA & Canada area.
(J-2504-022-A)

PEPX-94009 for Europe, Australia, Galf area.
(J-2504-023-A)

ANALOG CONTROLLER CHECKER (PRE-H3000)
(J-2504-008-A)

SWITCH ON JIG (PRJ-001)
(J-2504-003-A)

Check Point for PU-41 Board. (Refer to each printed wiring boards)



3-3. ATTENTION

Dielectric voltage withstand of Optical Device.

After repair complete. Dielectric voltage withstand test and Insulation resistance test to be conducted according to the regulation of IEC-65 EN60065 or UL1492 or 電気用品取締法 .

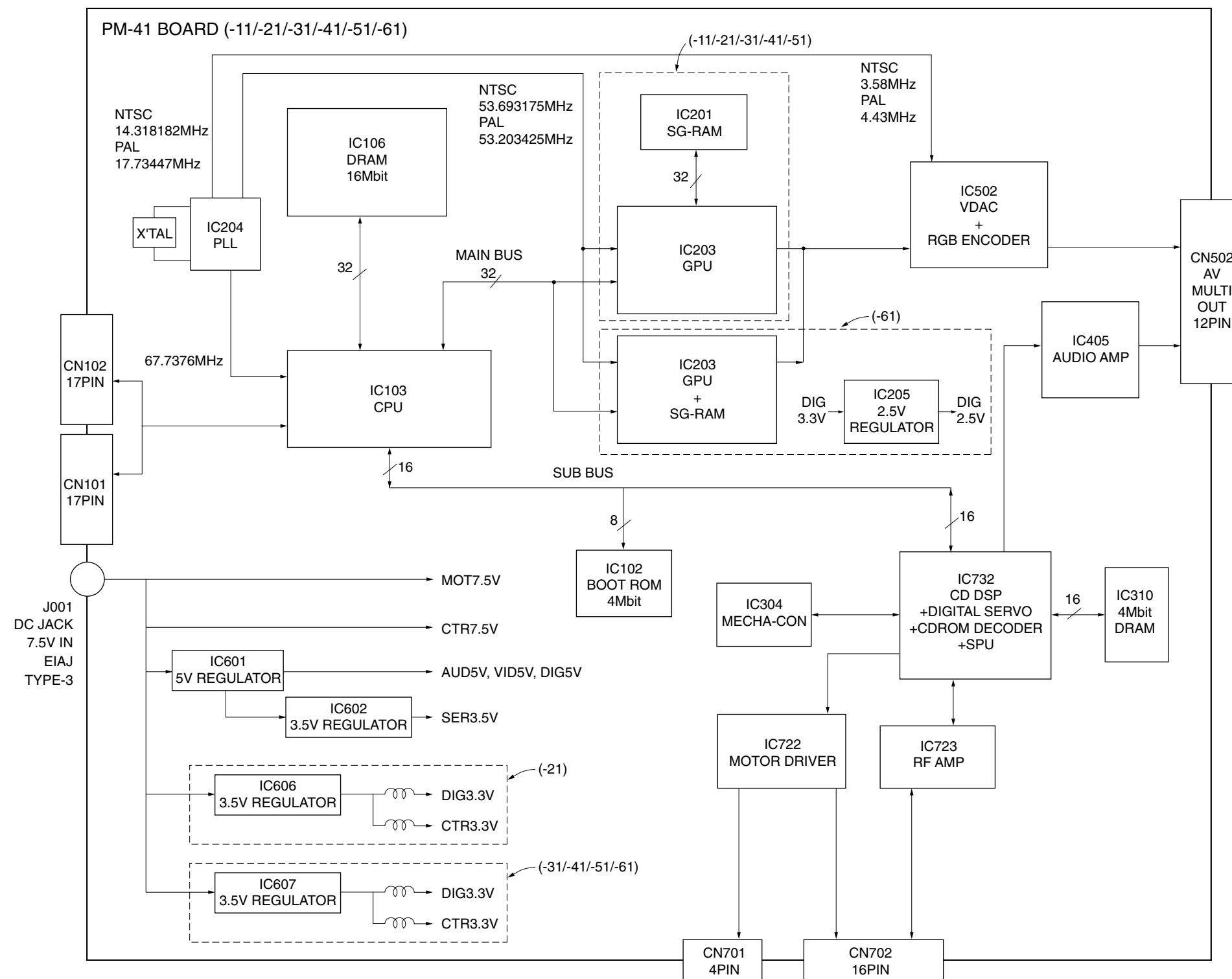
About replacement of Optical Device.

Check the specification of RF level, Jitter, Eye pattern, Focus gain and Tracking error using Check jig before replacing the Optical Device.

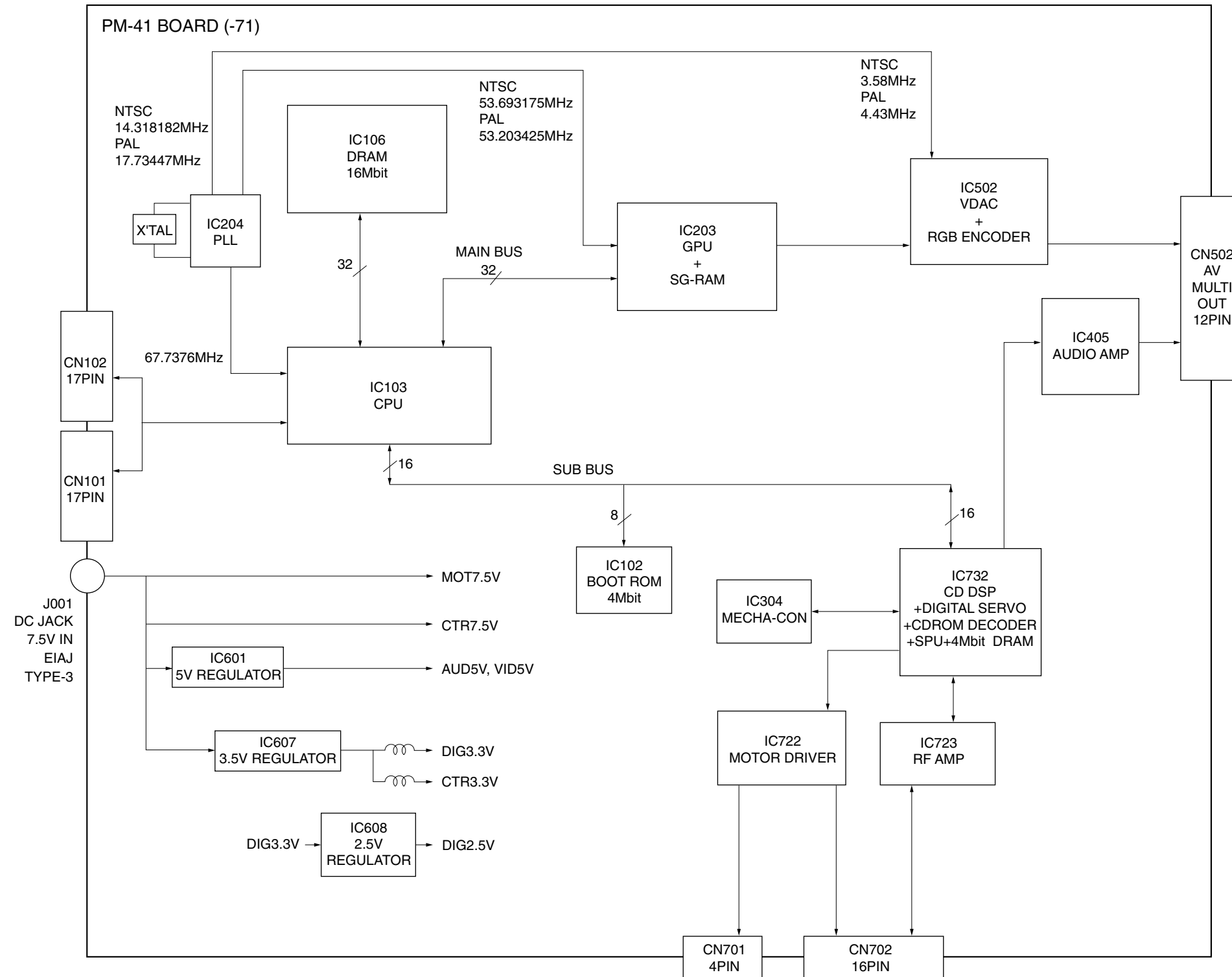
When Optical Device satisfied those specification, Playback QA DISC or AGING DISC for checking double speed ability and sledding mechanism.

SECTION 4 BLOCK DIAGRAM

4-1. OVERALL BLOCK DIAGRAM (PM-41 (-11/-21/-31/-41/-51/-61) BOARD)




4-2. OVERALL BLOCK DIAGRAM (PM-41 (-71) BOARD)





THIS NOTE IS COMMON FOR PRINTED WIRING BOARDS AND SCHEMATIC DIAGRAMS.

Note on Printed Wiring Boards :

- Through hole is omitted.
-  : Pattern on the side which is seen.
- Chip parts.



Note on Schematic Diagram :

- Caution when replacing chip parts. New parts must be attached after removal of chip. Be careful not to heat the minus side of tantalum capacitor, because it is damaged by the heat.
- All capacitors are in μF unless otherwise noted. pF : μF 50 WV or less are not indicated except for electrolytics and tantalums.
- All resistors are in Ω and 1/16 W or less unless otherwise specified.
- Chip resistor are 1/10 W or 1/16 W unless otherwise noted. $\text{k}\Omega$: 1000 Ω , $\text{M}\Omega$: 1000 $\text{k}\Omega$.
-  : B+ Line. *
-  : IN/OUT direction of (+, -) B LINE. *
- Circled numbers refer to waveforms. *
- * Indicated by the color red.

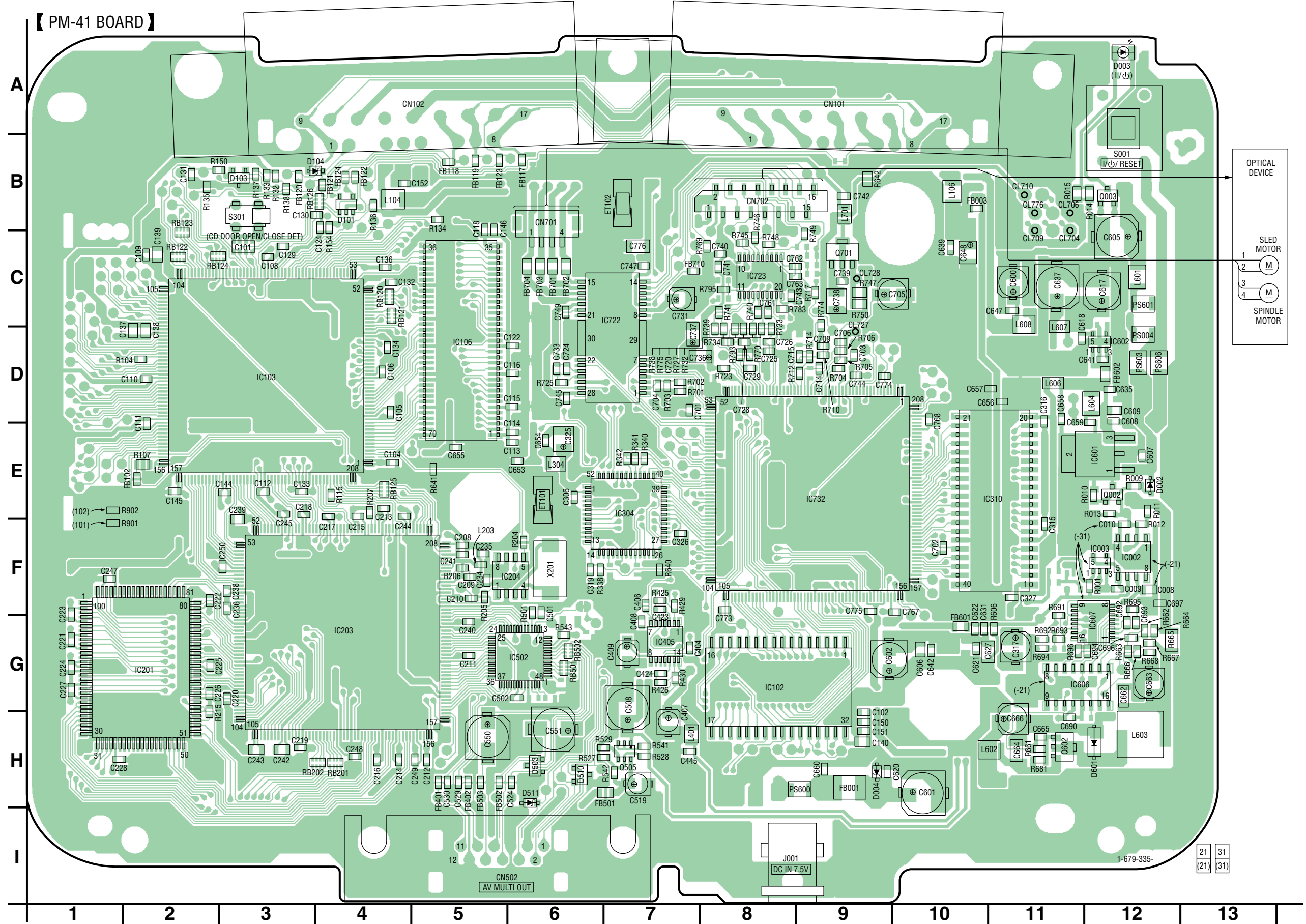
Note :

The components identified by mark Δ or dotted line with mark Δ are critical for safety. Replace only with part number specified.

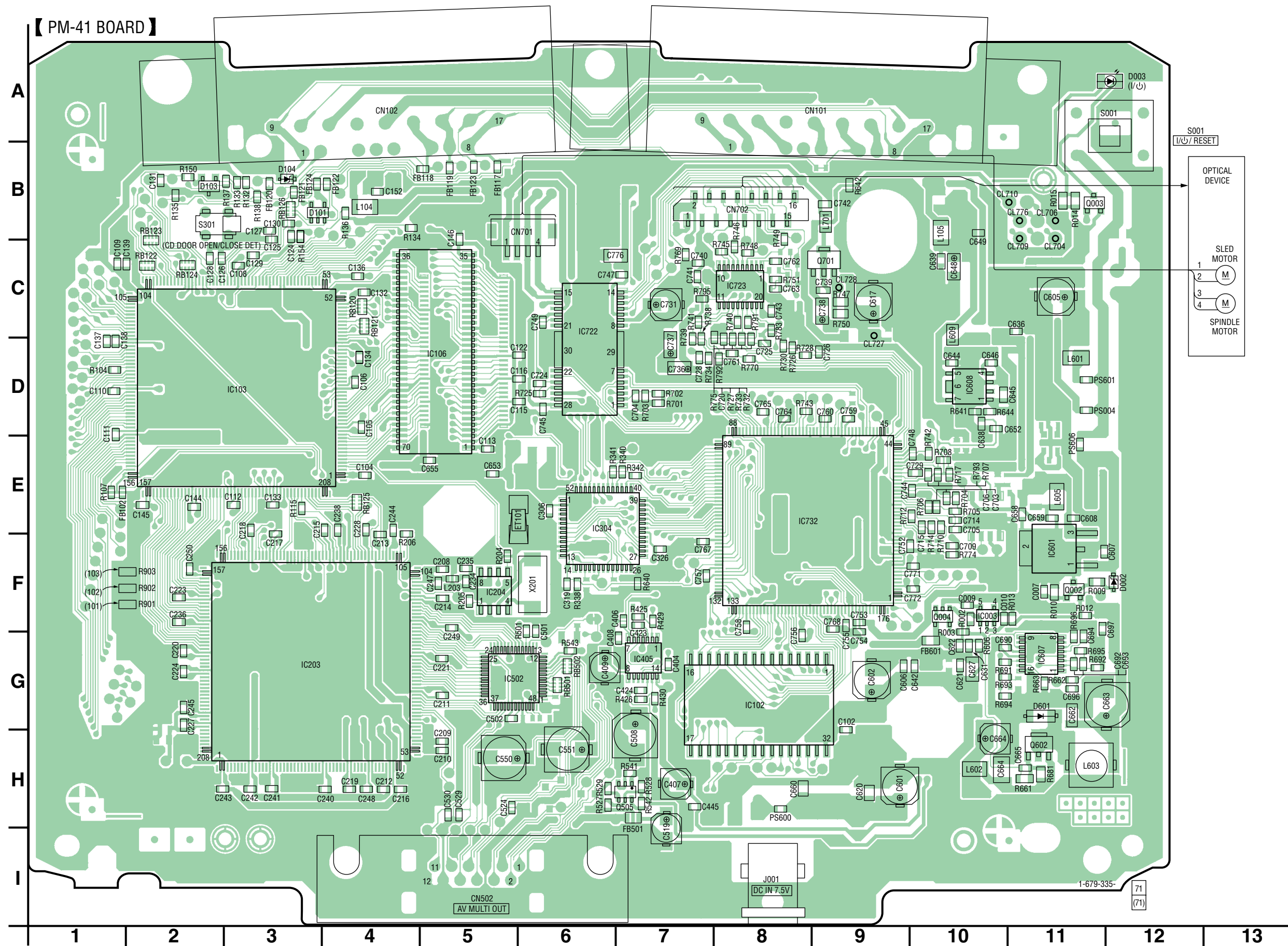
Note :

Les composants identifiés par une marque Δ sont critiques pour la sécurité. Ne les remplacer que par une pièce portant le numéro spécifié.

5-2. PRINTED WIRING BOARD (PM-41 (-21/-31) BOARD) (SCPH-100/101/102)

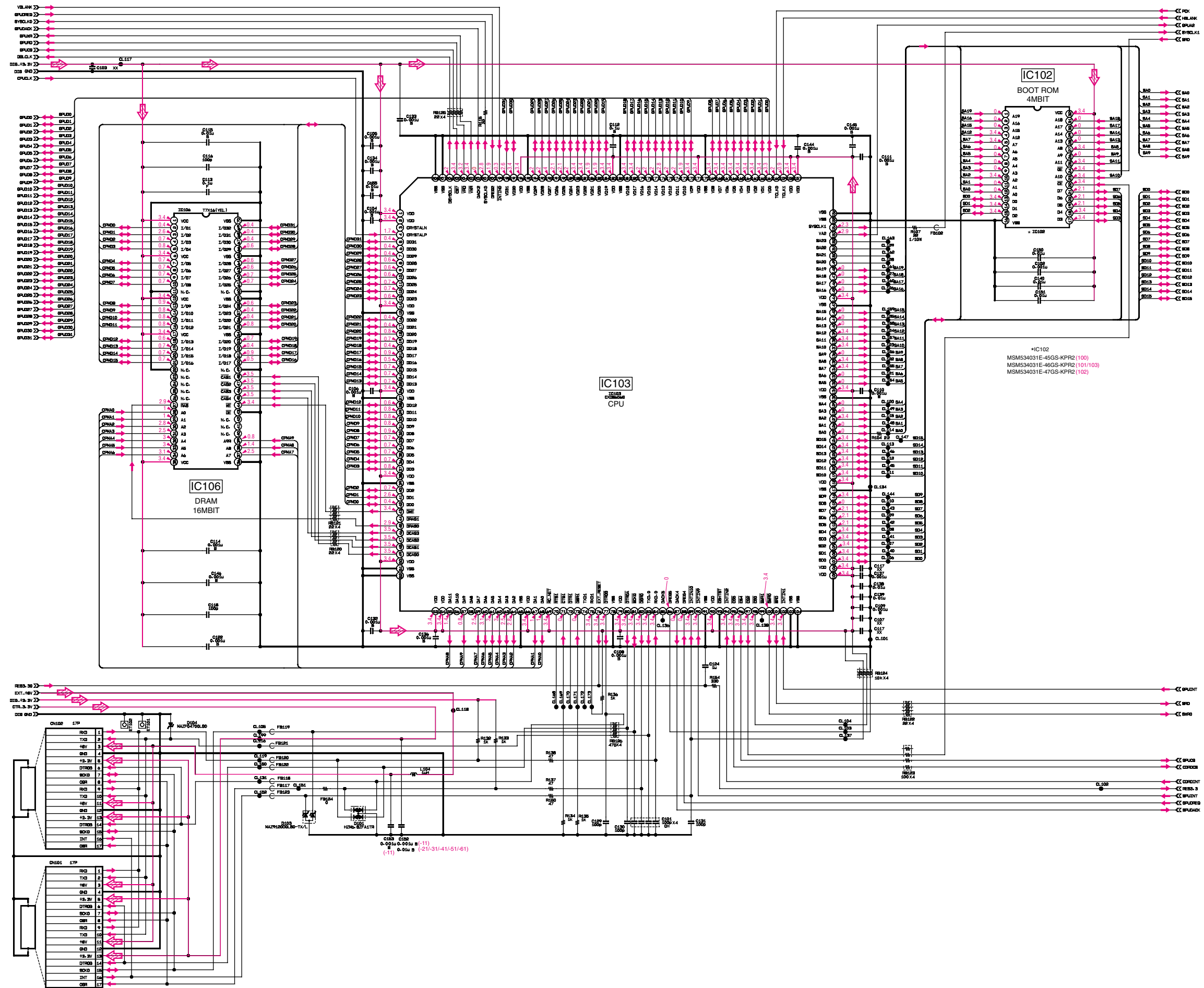


5-5. PRINTED WIRING BOARD (PM-41 (-71) BOARD) (SCPH-100/101/102/103)



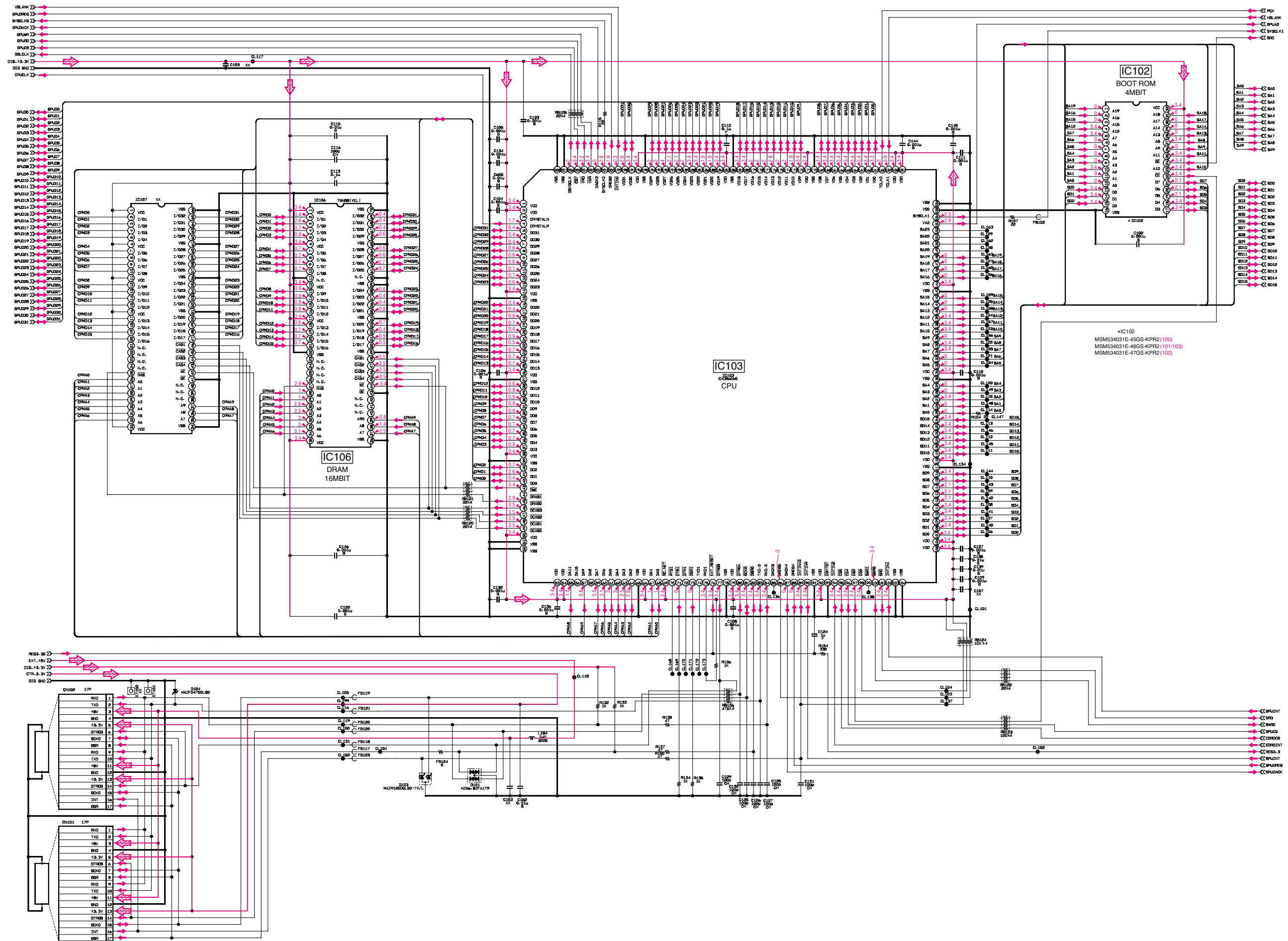
5-6. SCHEMATIC DIAGRAM (PM-41 (-11/-21/-31/-41/-51/-61) BOARD (1/15))

PM-41 (-11/-21/-31/-41/-51/-61) BOARD (1/15)

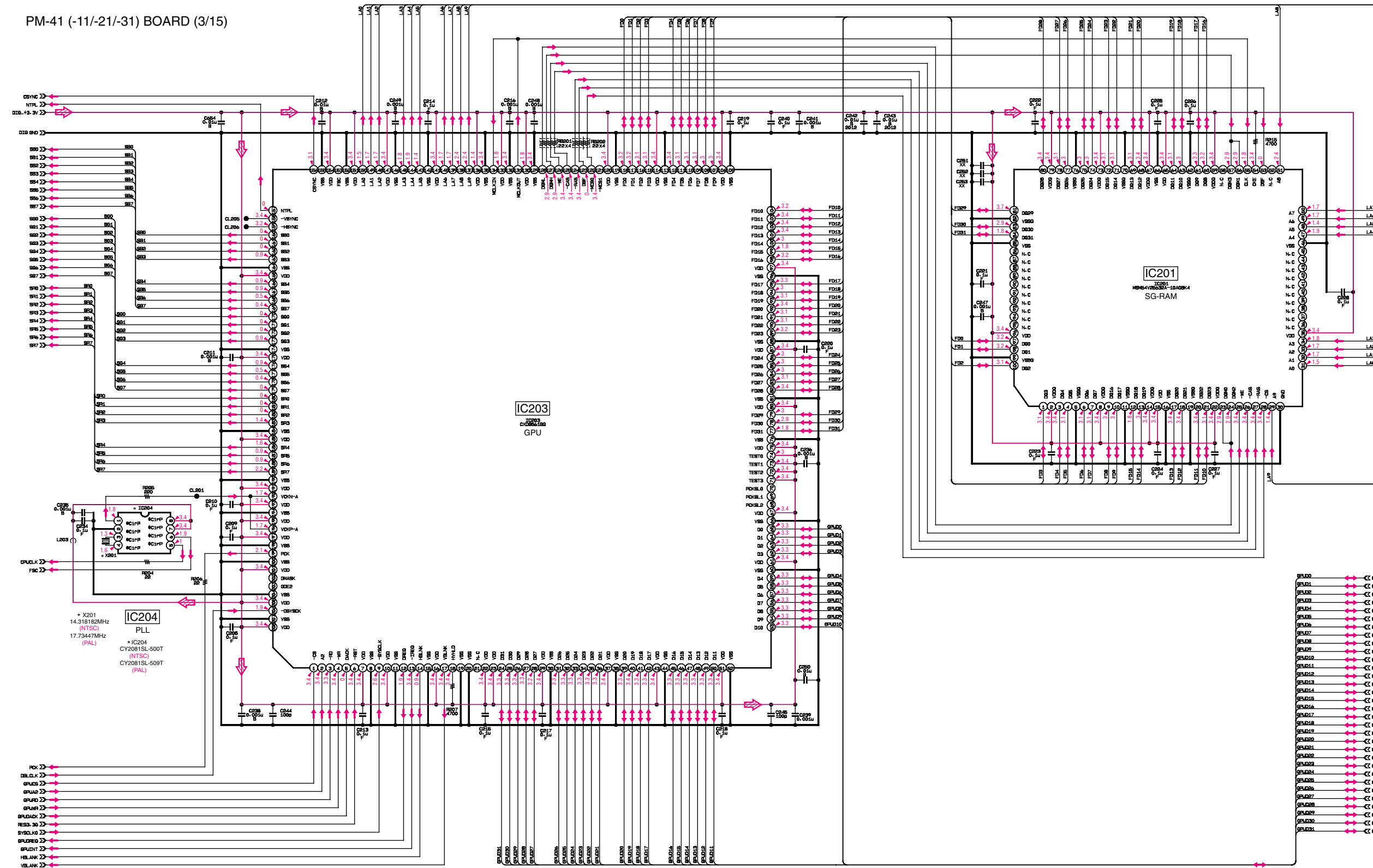


5-7. SCHEMATIC DIAGRAM (PM-41 (-71) BOARD (2/15))

PM-41 (-71) BOARD (2/15)

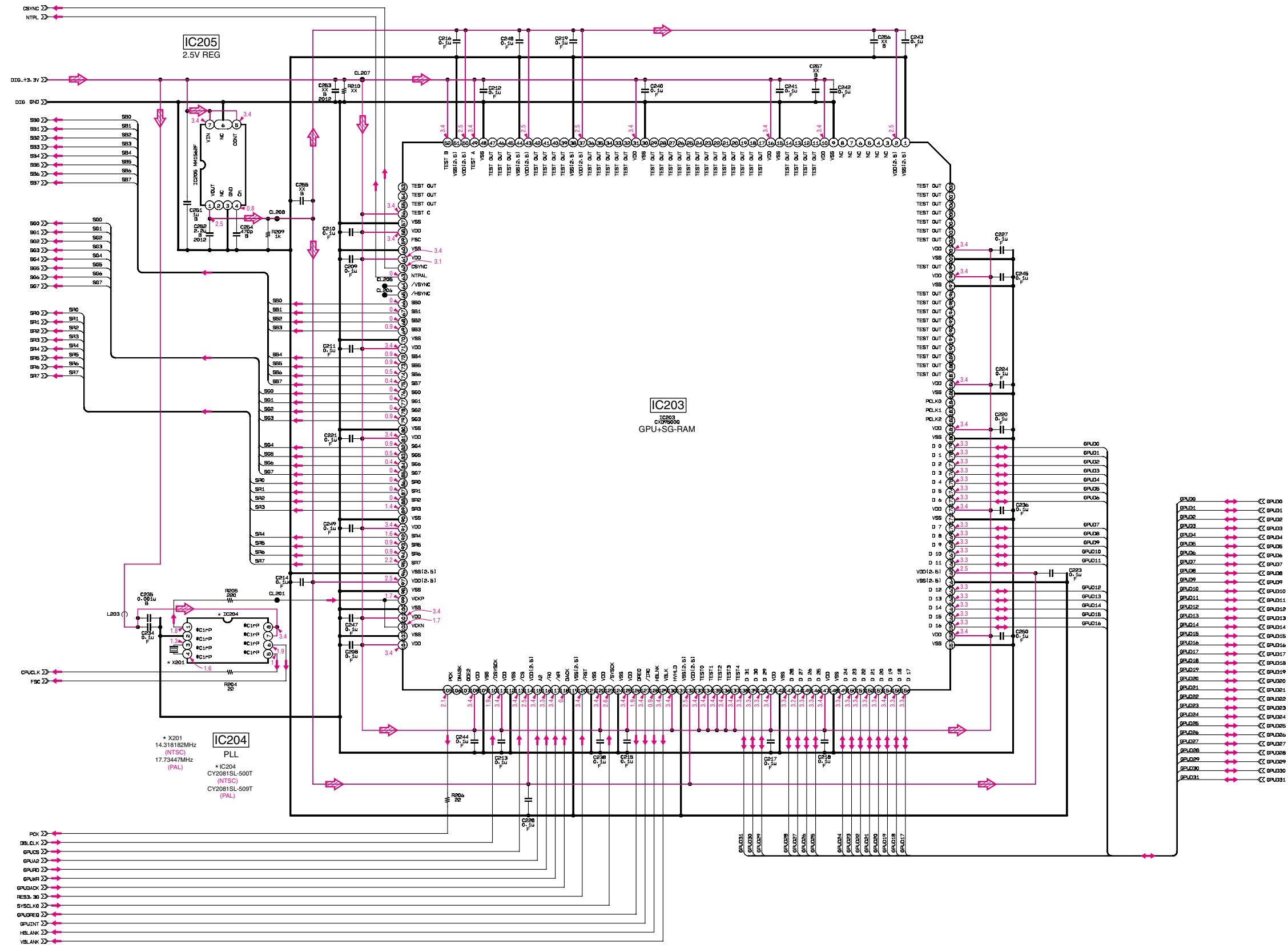


5-8. SCHEMATIC DIAGRAM (PM-41 (-11/-21/-31) BOARD (3/15))



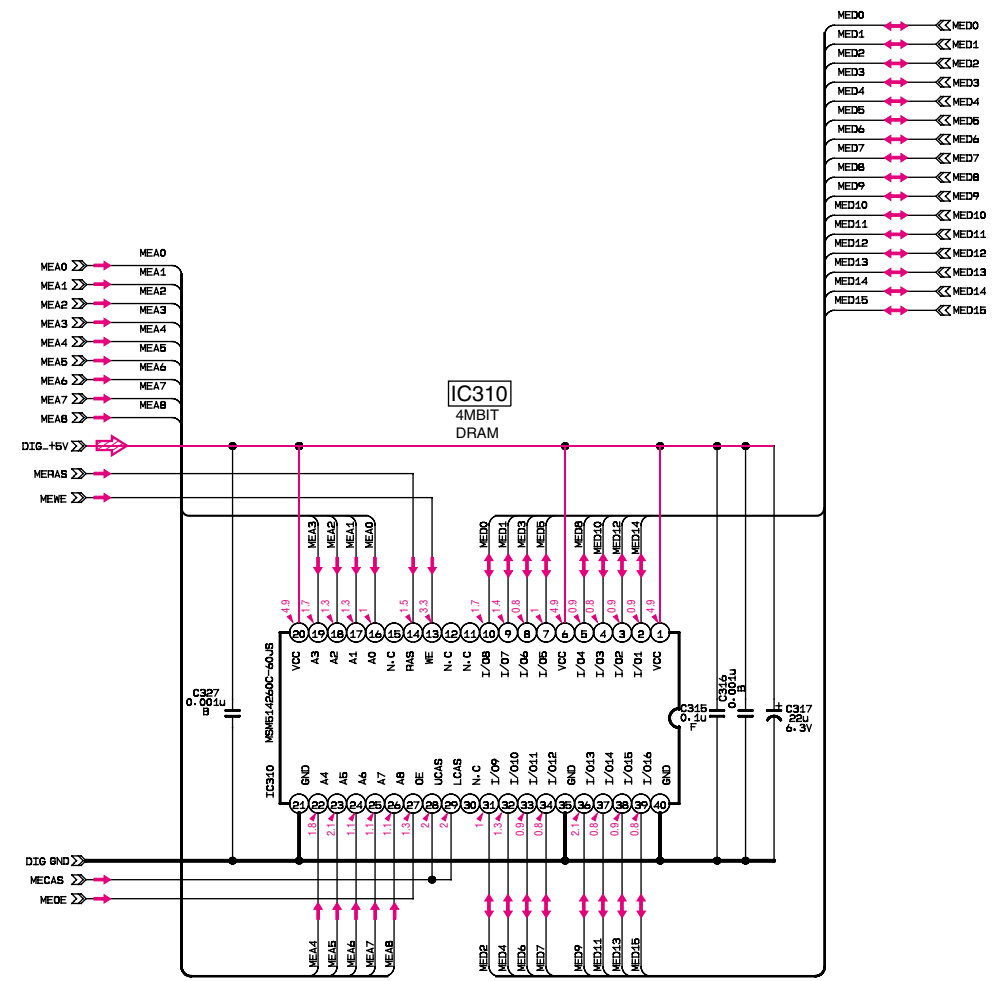
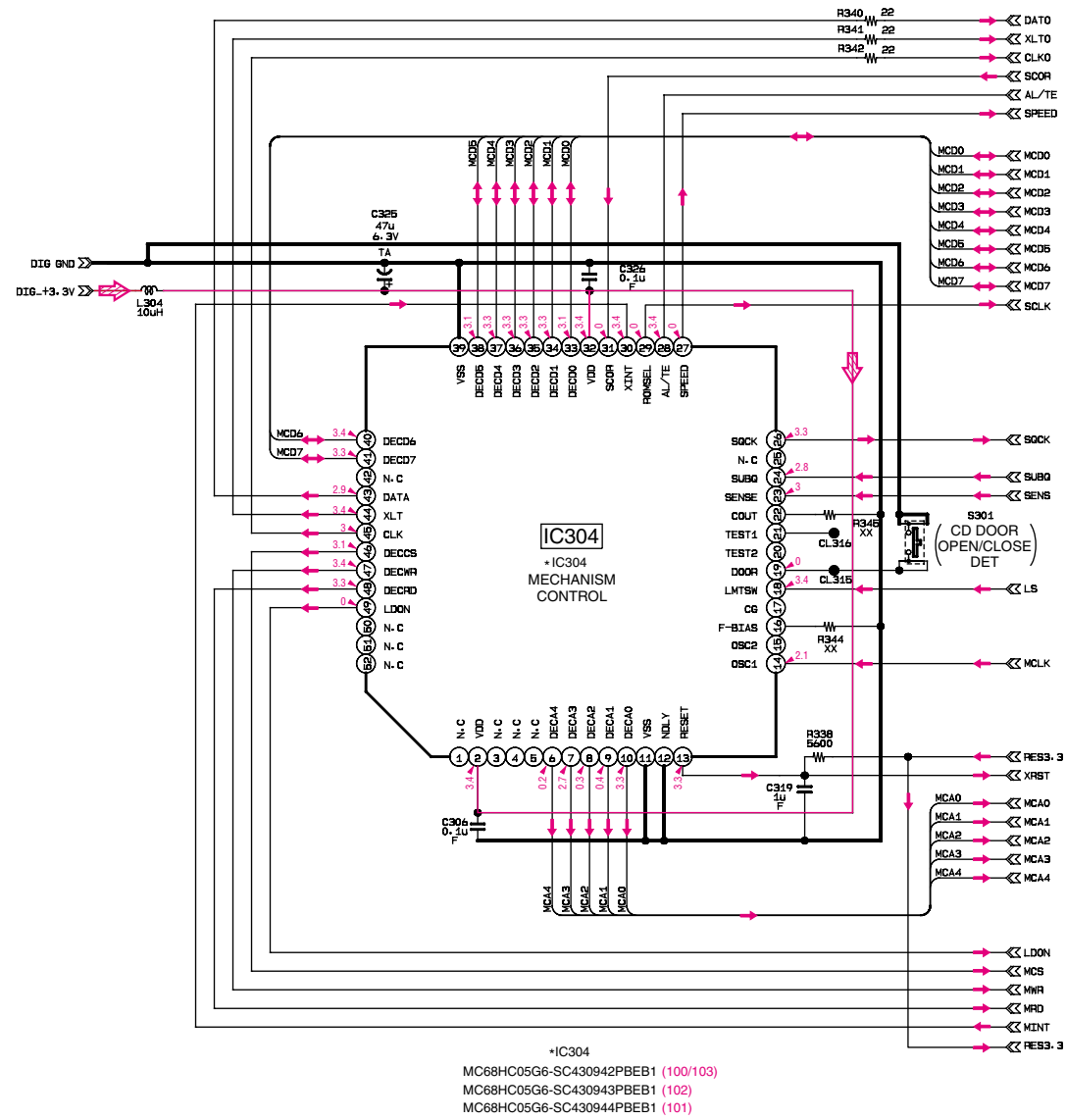
5-10. SCHEMATIC DIAGRAM (PM-41 (-61) BOARD (5/15))

PM-41 (-61) BOARD (5/15)



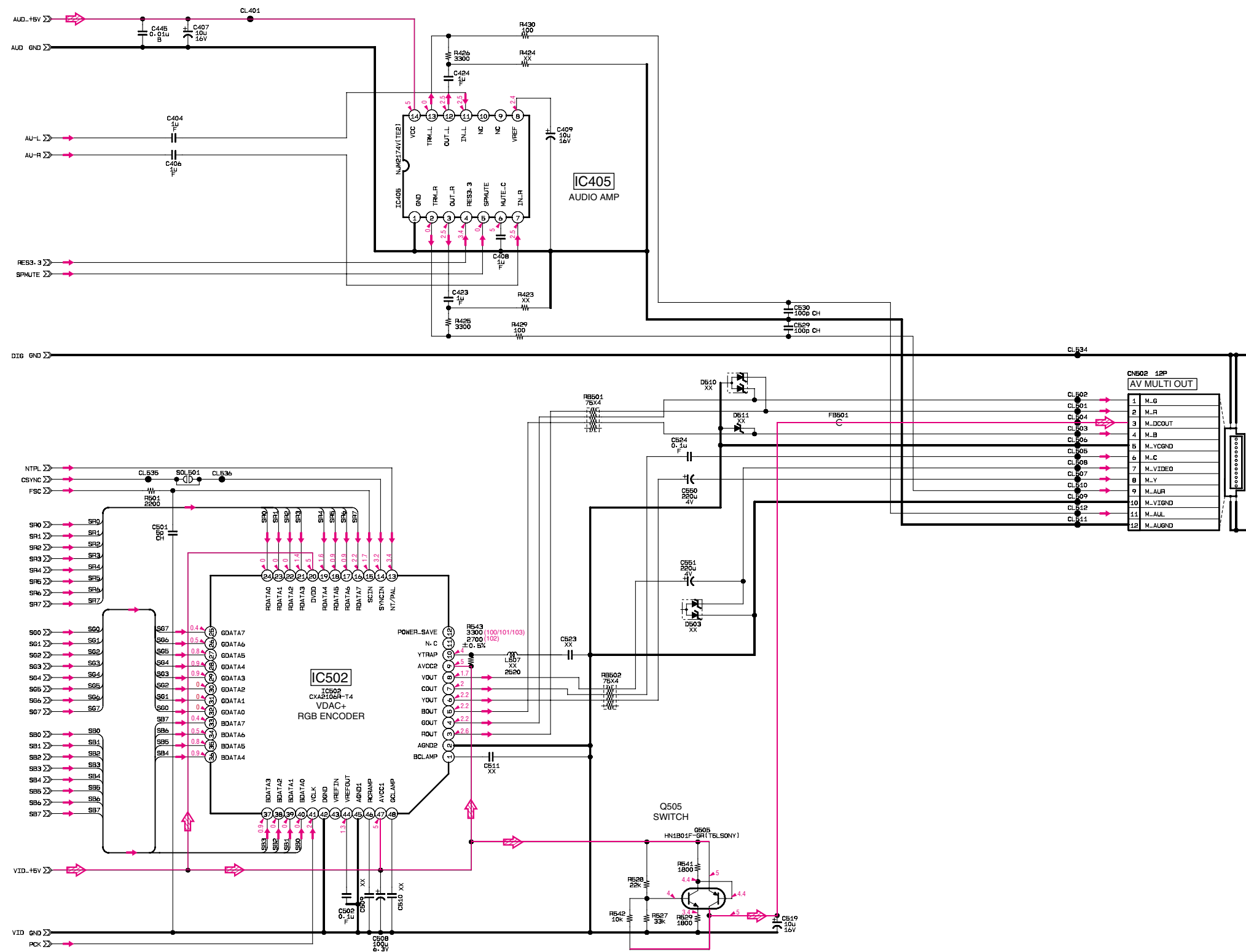
5-12. SCHEMATIC DIAGRAM (PM-41 (-11/-21/-31/-41/-51/-61) BOARD (7/15))

PM-41 (-11/-21/-31/-41/-51/-61) BOARD (7/15)



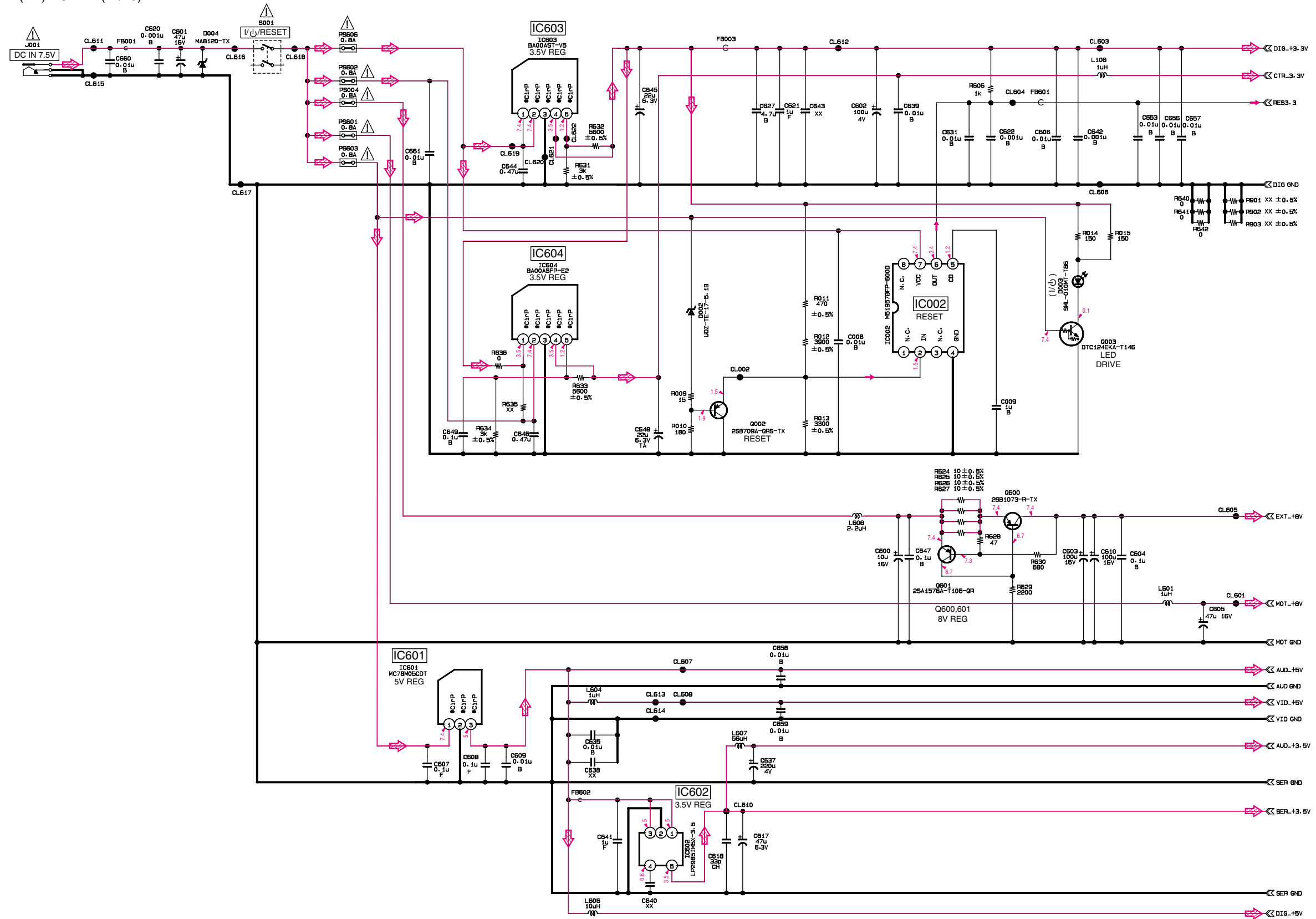
5-15. SCHEMATIC DIAGRAM (PM-41 (-71) BOARD (10/15))

PM-41 (-71) BOARD (10/15)



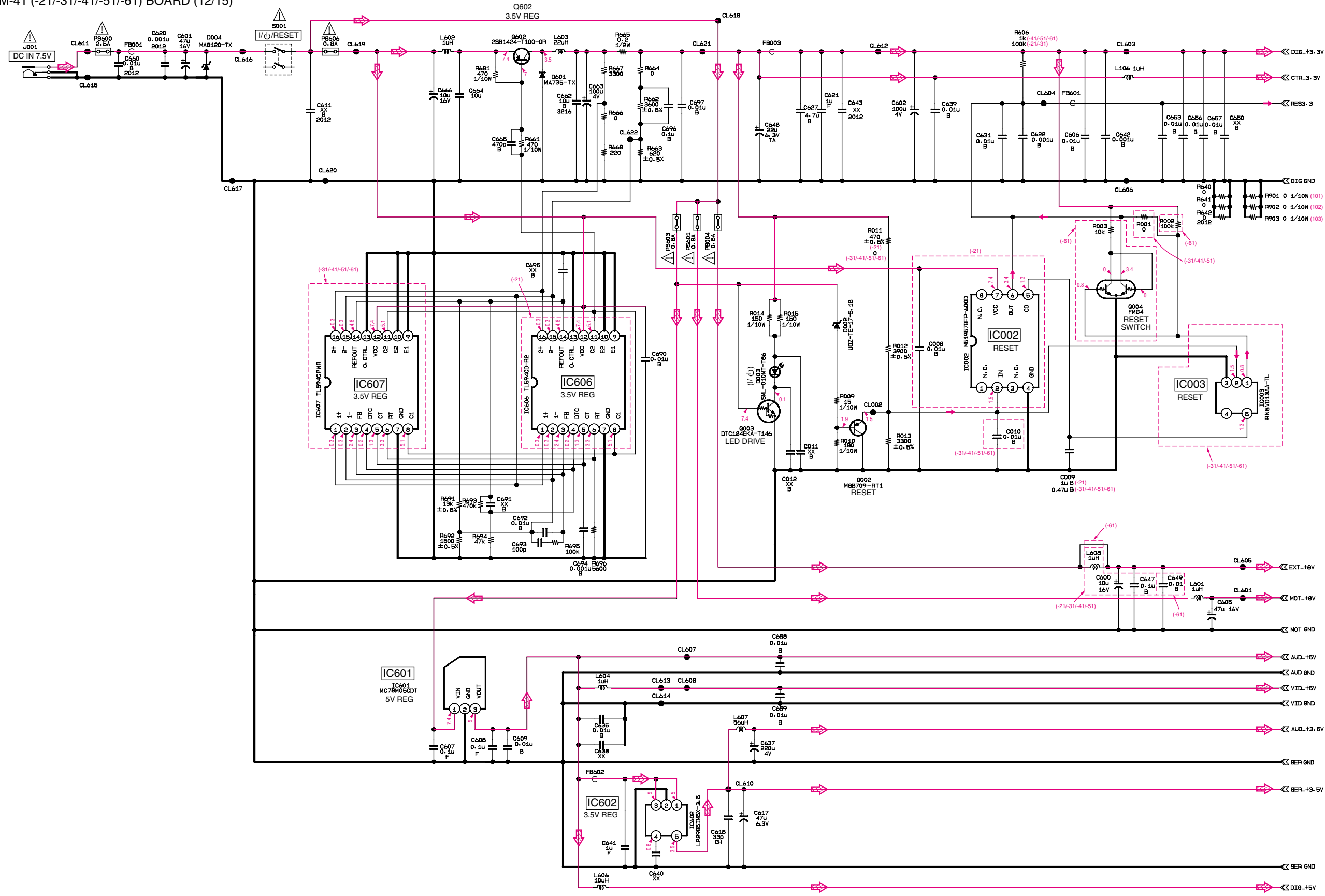
5-16. SCHEMATIC DIAGRAM (PM-41 (-11) BOARD (11/15))

PM-41 (-11) BOARD (11/15)



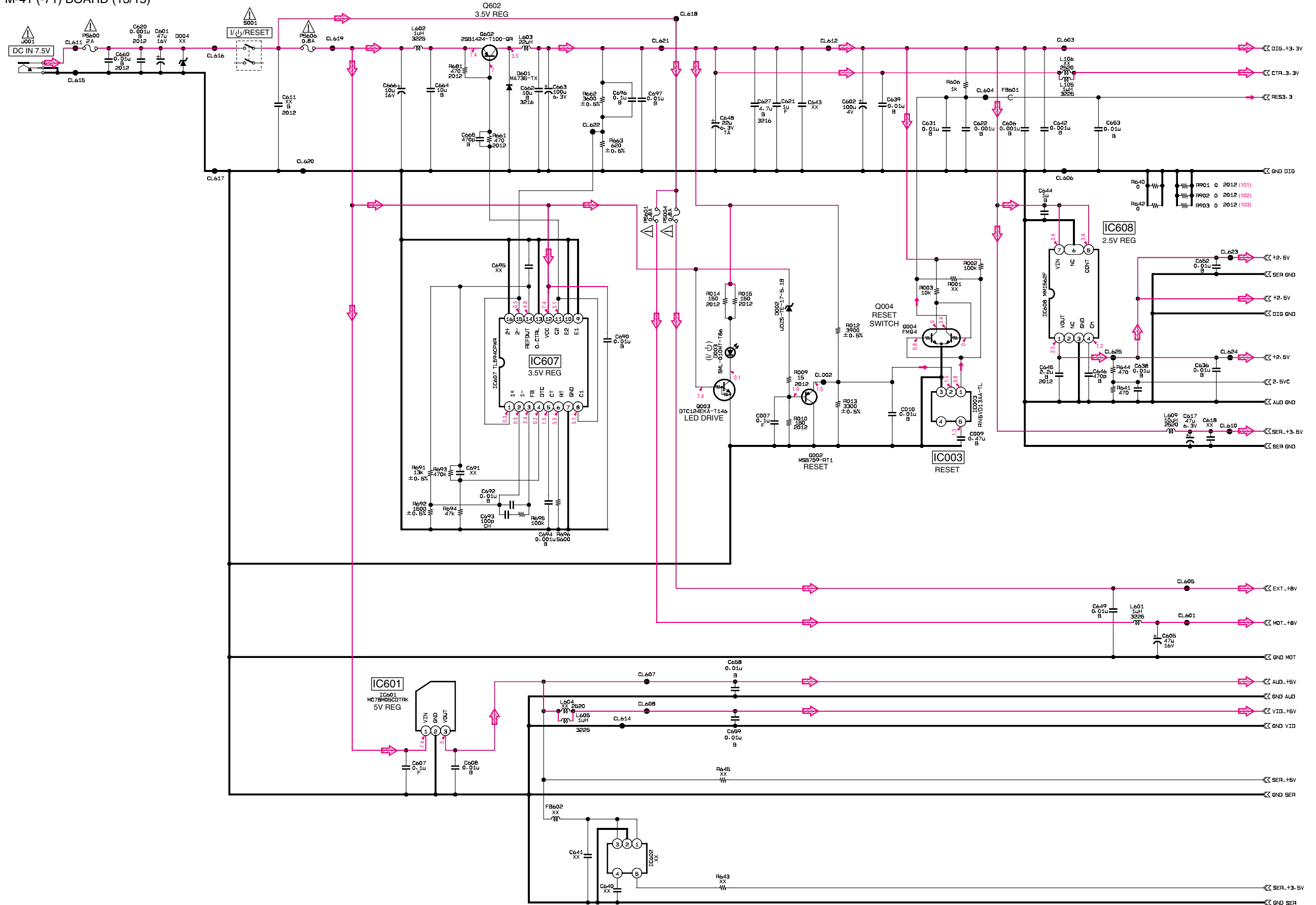
5-17. SCHEMATIC DIAGRAM (PM-41 (-21/-31/-41/-51/-61) BOARD (12/15))

PM-41 (-21/-31/-41/-51/-61) BOARD (12/15)



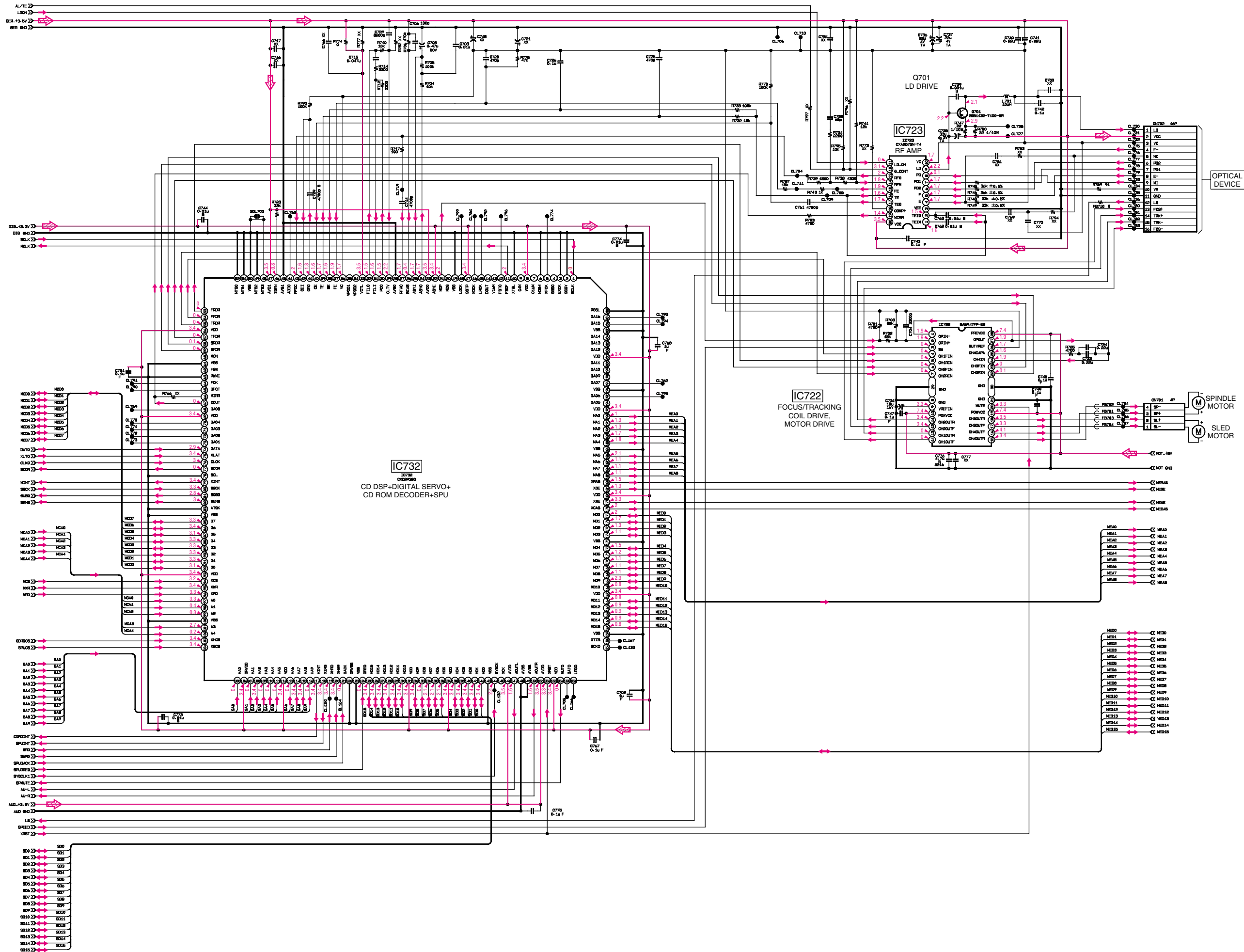
5-18. SCHEMATIC DIAGRAM (PM-41 (-71) BOARD (13/15))

PM-41 (-71) BOARD (13/15)



5-19. SCHEMATIC DIAGRAM (PM-41 (-11/-21/-31/-41/-51/-61) BOARD (14/15))

PM-41 (-11/-21/-31/-41/-51/-61) BOARD (14/15)



SECTION 6 ELECTRICAL PARTS LIST

NOTE:

- Due to standardization, replacements in the parts list may be different from the parts specified in the diagrams or the components used on the set.
- -XX and -X mean standardized parts, so they may have some difference from the original one.
- RESISTORS
METAL: Metal-film resistor.
F: nonflammable
- SEMICONDUCTORS
In each case, u : μ , for example:
uA.. : μ A.. uPA.. : μ PA..
uPB.. : μ PB.. uPC.. : μ PC.. uPD.. : μ PD..

- CAPACITORS
uF : μ F
- COILS
uH : μ H

When indicating parts by reference number, please include the board.

NOTE:
• SC Classification :
S : Stocked parts
O : Ordered parts
U : Unsupplied parts

The components identified by mark Δ or dotted line with mark. Δ are critical for safety. Replace only with part number specified.

Les composants identifiés par une marque Δ sont critiques pour la sécurité. Ne les remplacer que par une pièce portant le numéro spécifié.

SC	Ref. No.	Part No.	Description	Remark
O Δ		A-6713-742-A	PM-41 BOARD, COMPLETE (100:-11/-21/-31)	
O Δ		A-6713-768-A	PM-41 BOARD, COMPLETE (101:-21/-31)	
O Δ		A-6713-776-A	PM-41 BOARD, COMPLETE (102:-21/-31)	
O Δ		A-6713-853-A	PM-41 BOARD, COMPLETE (100:-41/-51)	
O Δ		A-6713-854-A	PM-41 BOARD, COMPLETE (101:-41/-51)	
O Δ		A-6713-855-A	PM-41 BOARD, COMPLETE (102:-41/-51)	
O Δ		A-6713-864-A	PM-41 BOARD, COMPLETE (103:-41/-51)	
O Δ		A-6713-902-A	PM-41 BOARD, COMPLETE (101:-61)	
O Δ		A-6713-903-A	PM-41 BOARD, COMPLETE (100:-61)	
O Δ		A-6713-904-A	PM-41 BOARD, COMPLETE (102:-61)	
O Δ		A-6713-906-A	PM-41 BOARD, COMPLETE (103:-61)	
O Δ		A-6715-470-A	PM-41 BOARD, COMPLETE (100:-71)	
O Δ		A-6715-471-A	PM-41 BOARD, COMPLETE (101:-71)	
O Δ		A-6715-483-A	PM-41 BOARD, COMPLETE (102:-71)	
O Δ		A-6715-484-A	PM-41 BOARD, COMPLETE (103:-71)	

< CAPACITOR >				
O	C007	1-164-156-11	CERAMIC CHIP 0.1uF 25V (-71)	
O	C008	1-163-021-91	CERAMIC CHIP 0.01uF 10% 50V (-11/-21)	
O	C009	1-125-837-91	CERAMIC CHIP 1uF 10% 6.3V (-11/-21)	
O	C009	1-125-891-11	CERAMIC CHIP 0.47uF 10% 10V (-31/-41/-51/-61/-71)	
O	C010	1-162-970-11	CERAMIC CHIP 0.01uF 10% 25V (-31/-41/-51/-61/-71)	
O	C101	1-125-764-41	CERAMIC CHIP 100PFx4 50V (-11/-21/-31/-41/-51/-61)	
O	C102	1-162-964-11	CERAMIC CHIP 0.001uF 10% 50V	
O	C104	1-162-964-11	CERAMIC CHIP 0.001uF 10% 50V	
O	C105	1-162-964-11	CERAMIC CHIP 0.001uF 10% 50V	
O	C106	1-162-964-11	CERAMIC CHIP 0.001uF 10% 50V	
O	C108	1-162-964-11	CERAMIC CHIP 0.001uF 10% 50V	
O	C109	1-162-964-11	CERAMIC CHIP 0.001uF 10% 50V	
O	C110	1-162-964-11	CERAMIC CHIP 0.001uF 10% 50V	
O	C111	1-162-964-11	CERAMIC CHIP 0.001uF 10% 50V	
O	C112	1-164-156-11	CERAMIC CHIP 0.1uF 25V	
O	C113	1-164-156-11	CERAMIC CHIP 0.1uF 25V	
O	C114	1-162-964-11	CERAMIC CHIP 0.001uF 10% 50V (-11/-21/-31/-41/-51/-61)	
O	C115	1-162-970-11	CERAMIC CHIP 0.01uF 10% 25V	
O	C116	1-162-927-11	CERAMIC CHIP 100PF 5% 50V	
O	C118	1-162-927-11	CERAMIC CHIP 100PF 5% 50V (-11/-21/-31/-41/-51/-61)	

SC	Ref. No.	Part No.	Description	Remark
O	C122	1-162-964-11	CERAMIC CHIP 0.001uF 10% 50V	
O	C124	1-115-156-11	CERAMIC CHIP 1uF 10V	
O	C125	1-162-927-11	CERAMIC CHIP 100PF 5% 50V (-71)	
O	C126	1-162-927-11	CERAMIC CHIP 100PF 5% 50V (-71)	
O	C127	1-162-927-11	CERAMIC CHIP 100PF 5% 50V (-71)	
O	C128	1-162-927-11	CERAMIC CHIP 100PF 5% 50V (-71)	
O	C129	1-162-927-11	CERAMIC CHIP 100PF 5% 50V	
O	C130	1-162-927-11	CERAMIC CHIP 100PF 5% 50V	
O	C131	1-162-927-11	CERAMIC CHIP 100PF 5% 50V	
O	C132	1-162-964-11	CERAMIC CHIP 0.001uF 10% 50V	
O	C133	1-162-964-11	CERAMIC CHIP 0.001uF 10% 50V	
O	C134	1-162-964-11	CERAMIC CHIP 0.001uF 10% 50V	
O	C136	1-162-964-11	CERAMIC CHIP 0.001uF 10% 50V	
O	C137	1-162-964-11	CERAMIC CHIP 0.001uF 10% 50V (-71)	
O	C137	1-163-275-11	CERAMIC CHIP 0.001uF 5% 50V (-11/-21/-31/-41/-51/-61)	
O	C138	1-162-970-11	CERAMIC CHIP 0.01uF 10% 25V (-71)	
O	C138	1-163-021-91	CERAMIC CHIP 0.01uF 10% 50V (-11/-21/-31/-41/-51/-61)	
O	C139	1-162-970-11	CERAMIC CHIP 0.01uF 10% 25V (-71)	
O	C139	1-163-021-91	CERAMIC CHIP 0.01uF 10% 50V (-11/-21/-31/-41/-51/-61)	
O	C140	1-163-021-91	CERAMIC CHIP 0.01uF 10% 50V (-11/-21/-31/-41/-51/-61)	
O	C144	1-162-964-11	CERAMIC CHIP 0.001uF 10% 50V	
O	C145	1-162-964-11	CERAMIC CHIP 0.001uF 10% 50V	
O	C146	1-162-964-11	CERAMIC CHIP 0.001uF 10% 50V	
O	C150	1-162-970-11	CERAMIC CHIP 0.01uF 10% 25V (-11/-21/-31/-41/-51/-61)	
O	C151	1-162-970-11	CERAMIC CHIP 0.01uF 10% 25V (-11/-21/-31/-41/-51/-61)	
O	C152	1-162-964-11	CERAMIC CHIP 0.001uF 10% 50V (-11)	
O	C152	1-162-970-11	CERAMIC CHIP 0.01uF 10% 25V (-21/-31/-41/-51/-61/-71)	
O	C153	1-162-964-11	CERAMIC CHIP 0.001uF 10% 50V (-11)	
O	C208	1-162-970-11	CERAMIC CHIP 0.01uF 10% 25V (-71)	
O	C208	1-164-156-11	CERAMIC CHIP 0.1uF 25V (-11/-21/-31/-41/-51/-61)	

SC	Ref. No.	Part No.	Description	Remark
O	C209	1-162-970-11	CERAMIC CHIP 0.01uF 10% 25V (-71)	
O	C209	1-164-156-11	CERAMIC CHIP 0.1uF 25V (-11/-21/-31/-41/-51/-61)	
O	C210	1-162-970-11	CERAMIC CHIP 0.01uF 10% 25V (-71)	
O	C210	1-164-156-11	CERAMIC CHIP 0.1uF 25V (-11/-21/-31/-41/-51/-61)	
O	C211	1-162-964-11	CERAMIC CHIP 0.001uF 10% 50V (-11/-21/-31/-41/-51)	
O	C211	1-162-970-11	CERAMIC CHIP 0.01uF 10% 25V (-71)	
O	C211	1-164-156-11	CERAMIC CHIP 0.1uF 25V (-61)	
O	C212	1-162-970-11	CERAMIC CHIP 0.01uF 10% 25V (-11/-21/-31/-41/-51/-71)	
O	C212	1-164-156-11	CERAMIC CHIP 0.1uF 25V (-61)	
O	C213	1-162-970-11	CERAMIC CHIP 0.01uF 10% 25V (-71)	
O	C213	1-164-156-11	CERAMIC CHIP 0.1uF 25V (-11/-21/-31/-41/-51/-61)	
O	C214	1-162-970-11	CERAMIC CHIP 0.01uF 10% 25V (-71)	
O	C214	1-164-156-11	CERAMIC CHIP 0.1uF 25V (-11/-21/-31/-41/-51/-61)	
O	C215	1-162-970-11	CERAMIC CHIP 0.01uF 10% 25V (-71)	
O	C215	1-164-156-11	CERAMIC CHIP 0.1uF 25V (-11/-21/-31/-41/-51/-61)	
O	C216	1-162-964-11	CERAMIC CHIP 0.001uF 10% 50V (-11/-21/-31/-41/-51)	
O	C216	1-162-970-11	CERAMIC CHIP 0.01uF 10% 25V (-71)	
O	C216	1-164-156-11	CERAMIC CHIP 0.1uF 25V (-61)	
O	C217	1-162-970-11	CERAMIC CHIP 0.01uF 10% 25V (-71)	
O	C217	1-164-156-11	CERAMIC CHIP 0.1uF 25V (-11/-21/-31/-41/-51/-61)	
O	C218	1-162-970-11	CERAMIC CHIP 0.01uF 10% 25V (-71)	
O	C218	1-164-156-11	CERAMIC CHIP 0.1uF 25V (-11/-21/-31/-41/-51/-61)	
O	C219	1-162-970-11	CERAMIC CHIP 0.01uF 10% 25V (-71)	
O	C219	1-164-156-11	CERAMIC CHIP 0.1uF 25V (-11/-21/-31/-41/-51/-61)	
O	C220	1-162-970-11	CERAMIC CHIP 0.01uF 10% 25V (-71)	
O	C220	1-164-156-11	CERAMIC CHIP 0.1uF 25V (-11/-21/-31/-41/-51/-61)	
O	C221	1-162-970-11	CERAMIC CHIP 0.01uF 10% 25V (-71)	
O	C221	1-164-156-11	CERAMIC CHIP 0.1uF 25V (-11/-21/-31/-41/-51/-61)	
O	C222	1-164-156-11	CERAMIC CHIP 0.1uF 25V (-11/-21/-31/-41/-51)	

SC	Ref. No.	Part No.	Description	Remark
O	C223	1-162-970-11	CERAMIC CHIP 0.01uF 10% 25V (-71)	
O	C223	1-164-156-11	CERAMIC CHIP 0.1uF 25V (-11/-21/-31/-41/-51/-61)	
O	C224	1-162-970-11	CERAMIC CHIP 0.01uF 10% 25V (-71)	
O	C224	1-164-156-11	CERAMIC CHIP 0.1uF 25V (-11/-21/-31/-41/-51/-61)	
O	C225	1-164-156-11	CERAMIC CHIP 0.1uF 25V (-11/-21/-31/-41/-51)	
O	C226	1-164-156-11	CERAMIC CHIP 0.1uF 25V (-11/-21/-31/-41/-51)	
O	C227	1-162-970-11	CERAMIC CHIP 0.01uF 10% 25V (-71)	
O	C227	1-164-156-11	CERAMIC CHIP 0.1uF 25V (-11/-21/-31/-41/-51/-61)	
O	C228	1-162-970-11	CERAMIC CHIP 0.01uF 10% 25V (-71)	
O	C228	1-164-156-11	CERAMIC CHIP 0.1uF 25V (-11/-21/-31/-41/-51/-61)	
O	C234	1-162-970-11	CERAMIC CHIP 0.01uF 10% 25V (-71)	
O	C234	1-164-156-11	CERAMIC CHIP 0.1uF 25V (-11/-21/-31/-41/-51/-61)	
O	C235	1-162-964-11	CERAMIC CHIP 0.001uF 10% 50V	
O	C236	1-162-964-11	CERAMIC CHIP 0.001uF 10% 50V (-11/-21/-31/-41/-51)	
O	C236	1-162-970-11	CERAMIC CHIP 0.01uF 10% 25V (-71)	
O	C236	1-164-156-11	CERAMIC CHIP 0.1uF 25V (-61)	
O	C238	1-162-964-11	CERAMIC CHIP 0.001uF 10% 50V (-11/-21/-31/-41/-51)	
O	C238	1-162-970-11	CERAMIC CHIP 0.01uF 10% 25V (-71)	
O	C238	1-164-156-11	CERAMIC CHIP 0.1uF 25V (-61)	
O	C239	1-163-275-11	CERAMIC CHIP 0.001uF 5% 50V (-11/-21/-31/-41/-51)	
O	C240	1-162-970-11	CERAMIC CHIP 0.01uF 10% 25V (-71)	
O	C240	1-164-156-11	CERAMIC CHIP 0.1uF 25V (-11/-21/-31/-41/-51/-61)	
O	C241	1-162-964-11	CERAMIC CHIP 0.001uF 10% 50V (-11/-21/-31/-41/-51)	
O	C241	1-162-970-11	CERAMIC CHIP 0.01uF 10% 25V (-71)	
O	C241	1-164-156-11	CERAMIC CHIP 0.1uF 25V (-61)	
O	C242	1-162-970-11	CERAMIC CHIP 0.01uF 10% 25V (-71)	
O	C242	1-163-021-91	CERAMIC CHIP 0.01uF 10% 50V (-11/-21/-31/-41/-51)	
O	C242	1-164-156-11	CERAMIC CHIP 0.1uF 25V (-61)	
O	C243	1-162-970-11	CERAMIC CHIP 0.01uF 10% 25V (-71)	

SC	Ref. No.	Part No.	Description	Remark
0	C243	1-163-021-91	CERAMIC CHIP 0.01uF 10% 50V (-11/-21/-31/-41/-51)	
0	C243	1-164-156-11	CERAMIC CHIP 0.1uF 25V (-61)	
0	C244	1-162-927-11	CERAMIC CHIP 100PF 5% 50V (-11/-21/-31/-41/-51)	
0	C244	1-162-970-11	CERAMIC CHIP 0.01uF 10% 25V (-71)	
0	C244	1-164-156-11	CERAMIC CHIP 0.1uF 25V (-61)	
0	C245	1-162-927-11	CERAMIC CHIP 100PF 5% 50V (-11/-21/-31/-41/-51)	
0	C245	1-162-970-11	CERAMIC CHIP 0.01uF 10% 25V (-71)	
0	C245	1-164-156-11	CERAMIC CHIP 0.1uF 25V (-61)	
0	C247	1-162-964-11	CERAMIC CHIP 0.001uF 10% 50V (-11/-21/-31/-41/-51)	
0	C247	1-162-970-11	CERAMIC CHIP 0.01uF 10% 25V (-71)	
0	C247	1-164-156-11	CERAMIC CHIP 0.1uF 25V (-61)	
0	C248	1-162-964-11	CERAMIC CHIP 0.001uF 10% 50V (-11/-21/-31/-41/-51)	
0	C248	1-162-970-11	CERAMIC CHIP 0.01uF 10% 25V (-71)	
0	C248	1-164-156-11	CERAMIC CHIP 0.1uF 25V (-61)	
0	C249	1-162-964-11	CERAMIC CHIP 0.001uF 10% 50V (-11/-21/-31/-41/-51)	
0	C249	1-162-970-11	CERAMIC CHIP 0.01uF 10% 25V (-71)	
0	C249	1-164-156-11	CERAMIC CHIP 0.1uF 25V (-61)	
0	C250	1-162-970-11	CERAMIC CHIP 0.01uF 10% 25V (-11/-21/-31/-41/-51/-71)	
0	C250	1-164-156-11	CERAMIC CHIP 0.1uF 25V (-61)	
0	C251	1-125-837-91	CERAMIC CHIP 1uF 10% 6.3V (-61)	
0	C252	1-125-838-11	CERAMIC CHIP 2.2uF 10% 6.3V (-61)	
0	C254	1-162-962-11	CERAMIC CHIP 470PF 10% 50V (-61)	
0	C306	1-164-156-11	CERAMIC CHIP 0.1uF 25V	
0	C315	1-164-156-11	CERAMIC CHIP 0.1uF 25V (-11/-21/-31/-41/-51/-61)	
0	C316	1-162-964-11	CERAMIC CHIP 0.001uF 10% 50V (-11/-21/-31/-41/-51/-61)	
0	C317	1-124-778-00	ELECT CHIP 22uF 20% 6.3V (-11/-21/-31/-41/-51/-61)	
0	C319	1-115-156-11	CERAMIC CHIP 1uF 10% 10V	
0	C325	1-110-569-11	TANTAL. CHIP 47uF 20% 6.3V (-11/-21/-31/-41/-51/-61)	
0	C326	1-164-156-11	CERAMIC CHIP 0.1uF 25V	
0	C327	1-162-964-11	CERAMIC CHIP 0.001uF 10% 50V (-11/-21/-31/-41/-51/-61)	

SC	Ref. No.	Part No.	Description	Remark
0	C404	1-115-156-11	CERAMIC CHIP 1uF 10V (-71)	
0	C404	1-125-837-91	CERAMIC CHIP 1uF 10% 6.3V (-11/-21/-31/-41/-51/-61)	
0	C406	1-115-156-11	CERAMIC CHIP 1uF 10V (-71)	
0	C406	1-125-837-91	CERAMIC CHIP 1uF 10% 6.3V (-11/-21/-31/-41/-51/-61)	
0	C407	1-124-779-00	ELECT CHIP 10uF 20% 16V (-71)	
0	C407	1-128-004-11	ELECT CHIP 10uF 20% 16V (-11/-21/-31/-41/-51/-61)	
0	C408	1-115-156-11	CERAMIC CHIP 1uF 10V (-71)	
0	C408	1-125-837-91	CERAMIC CHIP 1uF 10% 6.3V (-11/-21/-31/-41/-51/-61)	
0	C409	1-124-779-00	ELECT CHIP 10uF 20% 16V (-71)	
0	C409	1-128-004-11	ELECT CHIP 10uF 20% 16V (-11/-21/-31/-41/-51/-61)	
0	C423	1-115-156-11	CERAMIC CHIP 1uF 10V (-71)	
0	C423	1-125-837-91	CERAMIC CHIP 1uF 10% 6.3V (-11/-21/-31/-41/-51/-61)	
0	C424	1-115-156-11	CERAMIC CHIP 1uF 10V (-71)	
0	C424	1-125-837-91	CERAMIC CHIP 1uF 10% 6.3V (-11/-21/-31/-41/-51/-61)	
0	C445	1-162-970-11	CERAMIC CHIP 0.01uF 10% 25V	
0	C501	1-162-910-11	CERAMIC CHIP 5PF 0.25PF 50V	
0	C502	1-164-156-11	CERAMIC CHIP 0.1uF 25V	
0	C508	1-126-206-11	ELECT CHIP 100uF 20% 6.3V	
0	C519	1-124-779-00	ELECT CHIP 10uF 20% 16V (-71)	
0	C519	1-128-004-11	ELECT CHIP 10uF 20% 16V (-11/-21/-31/-41/-51/-61)	
0	C524	1-164-156-11	CERAMIC CHIP 0.1uF 25V	
0	C529	1-162-927-11	CERAMIC CHIP 100PF 5% 50V	
0	C530	1-162-927-11	CERAMIC CHIP 100PF 5% 50V	
0	C550	1-126-246-11	ELECT CHIP 220uF 20% 4V	
0	C551	1-126-246-11	ELECT CHIP 220uF 20% 4V	
0	C600	1-124-779-00	ELECT CHIP 10uF 20% 16V (-11/-21/-31/-41/-51)	
0	C601	1-126-204-11	ELECT CHIP 47uF 20% 16V (-11/-21/-31/-41/-51/-61)	
0	C601	1-137-765-21	ELECT CHIP 47uF 20% 16V (-71)	
0	C602	1-126-209-11	ELECT CHIP 100uF 20% 4V	
0	C603	1-117-681-11	ELECT CHIP 100uF 20% 16V (-11)	
0	C604	1-107-826-11	CERAMIC CHIP 0.1uF 10% 16V (-11)	
0	C605	1-126-204-11	ELECT CHIP 47uF 20% 16V (-11/-21/-31/-41/-51/-61)	
0	C605	1-137-765-21	ELECT CHIP 47uF 20% 16V (-71)	

SC	Ref. No.	Part No.	Description	Remark
0	C606	1-162-970-11	CERAMIC CHIP 0.01uF 10% 25V (-71)	
0	C606	1-163-021-91	CERAMIC CHIP 0.01uF 10% 50V (-11/-21/-31/-41/-51/-61)	
0	C607	1-164-156-11	CERAMIC CHIP 0.1uF 25V	
0	C608	1-162-970-11	CERAMIC CHIP 0.01uF 10% 25V (-71)	
0	C608	1-164-156-11	CERAMIC CHIP 0.1uF 25V (-11/-21/-31/-41/-51/-61)	
0	C609	1-163-021-91	CERAMIC CHIP 0.01uF 10% 50V (-11/-21/-31/-41/-51/-61)	
0	C610	1-117-681-11	ELECT CHIP 100uF 20% 16V (-11)	
0	C617	1-126-205-11	ELECT CHIP 47uF 20% 6.3V	
0	C618	1-162-921-11	CERAMIC CHIP 33PF 5% 50V (-11/-21/-31/-41/-51/-61)	
0	C620	1-162-964-11	CERAMIC CHIP 0.001uF 10% 50V (-11)	
0	C620	1-163-009-91	CERAMIC CHIP 0.001uF 10% 50V (-21/-31/-41/-51/-61/-71)	
0	C621	1-115-156-11	CERAMIC CHIP 1uF 10V	
0	C622	1-162-964-11	CERAMIC CHIP 0.001uF 10% 50V	
0	C627	1-115-566-11	CERAMIC CHIP 4.7uF 10% 10V	
0	C631	1-162-970-11	CERAMIC CHIP 0.01uF 10% 25V	
0	C635	1-162-970-11	CERAMIC CHIP 0.01uF 10% 25V (-11/-21/-31/-41/-51/-61)	
0	C636	1-162-970-11	CERAMIC CHIP 0.01uF 10% 25V (-71)	
0	C637	1-126-246-11	ELECT CHIP 220uF 20% 4V (-11/-21/-31/-41/-51/-61)	
0	C638	1-162-970-11	CERAMIC CHIP 0.01uF 10% 25V (-71)	
0	C639	1-162-970-11	CERAMIC CHIP 0.01uF 10% 25V	
0	C641	1-115-156-11	CERAMIC CHIP 1uF 10V (-11/-21/-31/-41/-51/-61)	
0	C642	1-162-964-11	CERAMIC CHIP 0.001uF 10% 50V	
0	C644	1-125-837-91	CERAMIC CHIP 1uF 10% 6.3V (-71)	
0	C644	1-164-005-11	CERAMIC CHIP 0.47uF 25V (-11)	
0	C645	1-124-778-00	ELECT CHIP 22uF 20% 6.3V (-11)	
0	C645	1-125-838-11	CERAMIC CHIP 2.2uF 10% 6.3V (-71)	
0	C646	1-162-962-11	CERAMIC CHIP 470PF 10% 50V (-71)	
0	C646	1-164-005-11	CERAMIC CHIP 0.47uF 25V (-11)	
0	C647	1-107-826-11	CERAMIC CHIP 0.1uF 10% 16V (-11/-21/-31/-41/-51)	
0	C648	1-104-849-91	TANTAL. CHIP 22uF 20% 6.3V (-11/-21/-31/-41/-51/-61)	
0	C648	1-119-750-11	TANTAL. CHIP 22uF 20% 6.3V (-71)	
0	C649	1-107-826-11	CERAMIC CHIP 0.1uF 10% 16V (-11)	

SC	Ref. No.	Part No.	Description	Remark
0	C649	1-162-970-11	CERAMIC CHIP 0.01uF 10% 25V (-61/-71)	
0	C652	1-162-970-11	CERAMIC CHIP 0.01uF 10% 25V (-71)	
0	C653	1-162-970-11	CERAMIC CHIP 0.01uF 10% 25V	
0	C654	1-162-970-11	CERAMIC CHIP 0.01uF 10% 25V (-11/-21/-31/-41/-51)	
0	C655	1-162-970-11	CERAMIC CHIP 0.01uF 10% 25V	
0	C656	1-162-970-11	CERAMIC CHIP 0.01uF 10% 25V (-11/-21/-31/-41/-51/-61)	
0	C657	1-162-970-11	CERAMIC CHIP 0.01uF 10% 25V (-11/-21/-31/-41/-51/-61)	
0	C658	1-162-970-11	CERAMIC CHIP 0.01uF 10% 25V	
0	C659	1-162-970-11	CERAMIC CHIP 0.01uF 10% 25V	
0	C660	1-162-970-11	CERAMIC CHIP 0.01uF 10% 25V (-11)	
0	C660	1-163-021-91	CERAMIC CHIP 0.01uF 10% 50V (-21/-31/-41/-51/-61/-71)	
0	C661	1-162-970-11	CERAMIC CHIP 0.01uF 10% 25V (-11)	
0	C662	1-127-692-11	CERAMIC CHIP 10uF 10% 6.3V (-21/-31/-41/-51/-61/-71)	
0	C663	1-126-206-11	ELECT CHIP 100uF 20% 6.3V (-71)	
0	C663	1-126-209-11	ELECT CHIP 100uF 20% 4V (-21/-31/-41/-51/-61)	
0	C664	1-117-808-91	CERAMIC CHIP 10uF 10% 10V (-21/-31/-41/-51/-61/-71)	
0	C665	1-162-962-11	CERAMIC CHIP 470PF 10% 50V (-21/-31/-41/-51/-61/-71)	
0	C666	1-124-779-00	ELECT CHIP 10uF 20% 16V (-21/-31/-41/-51/-61/-71)	
0	C690	1-162-970-11	CERAMIC CHIP 0.01uF 10% 25V (-21/-31/-41/-51/-61/-71)	
0	C692	1-162-970-11	CERAMIC CHIP 0.01uF 10% 25V (-21/-31/-41/-51/-61/-71)	
0	C693	1-162-927-11	CERAMIC CHIP 100PF 5% 50V (-21/-31/-41/-51/-61/-71)	
0	C694	1-162-964-11	CERAMIC CHIP 0.001uF 10% 50V (-21/-31/-41/-51/-61/-71)	
0	C696	1-107-826-11	CERAMIC CHIP 0.1uF 10% 16V (-21/-31/-41/-51/-61/-71)	
0	C697	1-162-970-11	CERAMIC CHIP 0.01uF 10% 25V (-21/-31/-41/-51/-61/-71)	
0	C701	1-164-156-11	CERAMIC CHIP 0.1uF 25V (-11/-21/-31/-41/-51/-61)	
0	C702	1-115-156-11	CERAMIC CHIP 1uF 10V (-11/-21/-31/-41/-51/-61)	
0	C703	1-162-970-11	CERAMIC CHIP 0.01uF 10% 25V	
0	C704	1-162-967-11	CERAMIC CHIP 0.0033uF 10% 50V	
0	C705	1-125-891-11	CERAMIC CHIP 0.47uF 10% 10V (-71)	
0	C705	1-126-191-11	ELECT CHIP 0.47uF 20% 50V (-11/-21/-31/-41/-51/-61)	
0	C706	1-162-927-11	CERAMIC CHIP 100PF 5% 50V	
0	C709	1-164-174-11	CERAMIC CHIP 0.0082uF 10% 25V	
0	C714	1-162-968-11	CERAMIC CHIP 0.0047uF 10% 50V	

SC	Ref. No.	Part No.	Description	Remark
O	C715	1-165-176-11	CERAMIC CHIP 0.047uF 10% 16V	
O	C720	1-162-962-11	CERAMIC CHIP 470PF 10% 50V	
O	C724	1-115-467-11	CERAMIC CHIP 0.22uF 10% 10V (-11/-21/-31/-41/-51/-61)	
O	C724	1-125-891-11	CERAMIC CHIP 0.47uF 10% 10V (-71)	
O	C725	1-162-962-11	CERAMIC CHIP 470PF 10% 50V	
O	C726	1-107-826-11	CERAMIC CHIP 0.1uF 10% 16V	
O	C728	1-162-925-11	CERAMIC CHIP 68PF 5% 50V	
O	C729	1-162-968-11	CERAMIC CHIP 0.0047uF 10% 50V	
O	C731	1-124-779-00	ELECT CHIP 10uF 20% 16V (-71)	
O	C731	1-128-004-11	ELECT CHIP 10uF 20% 16V (-11/-21/-31/-41/-51/-61)	
O	C733	1-115-467-11	CERAMIC CHIP 0.22uF 10% 10V (-11/-21/-31/-41/-51/-61)	
O	C736	1-104-847-11	TANTAL. CHIP 22uF 20% 4V	
O	C737	1-104-847-11	TANTAL. CHIP 22uF 20% 4V	
O	C738	1-104-752-11	TANTAL. CHIP 33uF 20% 6.3V (-11/-21/-31/-41/-51/-61)	
O	C738	1-165-877-91	TANTAL. CHIP 33uF 20% 6.3V (-71)	
O	C739	1-162-964-11	CERAMIC CHIP 0.001uF 10% 50V	
O	C740	1-115-467-11	CERAMIC CHIP 0.22uF 10% 10V (-11/-21/-31/-41/-51/-61)	
O	C740	1-162-970-11	CERAMIC CHIP 0.01uF 10% 25V (-71)	
O	C741	1-115-467-11	CERAMIC CHIP 0.22uF 10% 10V (-11/-21/-31/-41/-51/-61)	
O	C741	1-162-970-11	CERAMIC CHIP 0.01uF 10% 25V (-71)	
O	C742	1-107-826-11	CERAMIC CHIP 0.1uF 10% 16V	
O	C743	1-164-156-11	CERAMIC CHIP 0.1uF 25V	
O	C744	1-162-970-11	CERAMIC CHIP 0.01uF 10% 25V	
O	C745	1-164-156-11	CERAMIC CHIP 0.1uF 25V	
O	C747	1-164-156-11	CERAMIC CHIP 0.1uF 25V	
O	C748	1-162-970-11	CERAMIC CHIP 0.01uF 10% 25V (-71)	
O	C749	1-164-156-11	CERAMIC CHIP 0.1uF 25V	
O	C752	1-162-970-11	CERAMIC CHIP 0.01uF 10% 25V (-71)	
O	C753	1-162-970-11	CERAMIC CHIP 0.01uF 10% 25V (-71)	
O	C754	1-125-837-91	CERAMIC CHIP 1uF 10% 6.3V (-71)	
O	C755	1-125-837-91	CERAMIC CHIP 1uF 10% 6.3V (-71)	
O	C756	1-162-970-11	CERAMIC CHIP 0.01uF 10% 25V (-71)	
O	C757	1-162-970-11	CERAMIC CHIP 0.01uF 10% 25V (-71)	
O	C758	1-162-970-11	CERAMIC CHIP 0.01uF 10% 25V (-71)	
O	C759	1-162-970-11	CERAMIC CHIP 0.01uF 10% 25V (-71)	

SC	Ref. No.	Part No.	Description	Remark
O	C760	1-162-970-11	CERAMIC CHIP 0.01uF 10% 25V (-71)	
O	C761	1-162-968-11	CERAMIC CHIP 0.0047uF 10% 50V	
O	C762	1-162-970-11	CERAMIC CHIP 0.01uF 10% 25V	
O	C763	1-162-970-11	CERAMIC CHIP 0.01uF 10% 25V	
O	C764	1-162-970-11	CERAMIC CHIP 0.01uF 10% 25V (-71)	
O	C765	1-162-970-11	CERAMIC CHIP 0.01uF 10% 25V (-71)	
O	C767	1-162-970-11	CERAMIC CHIP 0.01uF 10% 25V (-71)	
O	C767	1-164-156-11	CERAMIC CHIP 0.1uF 25V (-11/-21/-31/-41/-51/-61)	
O	C768	1-115-156-11	CERAMIC CHIP 1uF 10V (-11/-21/-31/-41/-51/-61)	
O	C768	1-162-970-11	CERAMIC CHIP 0.01uF 10% 25V (-71)	
O	C771	1-162-970-11	CERAMIC CHIP 0.01uF 10% 25V (-71)	
O	C772	1-162-970-11	CERAMIC CHIP 0.01uF 10% 25V (-71)	
O	C773	1-162-970-11	CERAMIC CHIP 0.01uF 10% 25V (-11/-21/-31/-41/-51/-61)	
O	C774	1-162-970-11	CERAMIC CHIP 0.01uF 10% 25V (-11/-21/-31/-41/-51/-61)	
O	C775	1-164-156-11	CERAMIC CHIP 0.1uF 25V (-11/-21/-31/-41/-51/-61)	
O	C776	1-115-566-11	CERAMIC CHIP 4.7uF 10% 10V	
< TERMINAL BOARD >				
O	CN101	1-694-748-11	TERMINAL BOARD (FRONT)	
O	CN102	1-694-748-11	TERMINAL BOARD (FRONT)	
< CONNECTOR >				
O	CN502	1-779-029-71	CONNECTOR, SQUARE TYPE 12P (AV MULTI OUT)	
O	CN701	1-573-290-21	PIN, CONNECTOR (1.5mm) (SMD) 4P	
O	CN702	1-779-071-21	CONNECTOR, FFC/FPC 16P	
< DIODE >				
O	D002	8-719-976-99	DIODE DTZ5.1B	
O	D003	8-719-059-94	LED SML-010MT-T86 (I/C)	
O	D004	8-719-158-49	DIODE RD12S-B2 (-11/-21/-31/-41/-51/-61)	
O	D101	8-719-066-17	DIODE FTZ6.8E-T148	
O	D103	8-719-067-59	DIODE MAZ9120D0LS0-TX/L	
O	D104	8-719-065-68	DIODE MAZF04700LS0	
O	D503	8-719-067-59	DIODE MAZ9120D0LS0-TX/L (-11/-21/-31/-41/-51/-61)	
O	D510	8-719-067-59	DIODE MAZ9120D0LS0-TX/L (-11/-21/-31/-41/-51/-61)	
O	D511	8-719-158-49	DIODE RD12S-B2 (-11/-21/-31/-41/-51/-61)	
O	D601	8-719-060-81	DIODE MA735-TX (-21/-31/-41/-51/-61/-71)	

SC	Ref. No.	Part No.	Description	Remark
< ON BOARD CONTACT >				
O	ET101	1-694-592-31	ON BOARD CONTACT	
O	ET102	1-694-592-31	ON BOARD CONTACT (-11/-21/-31/-41/-51/-61)	
< FERRITE BEAD >				
O	FB001	1-469-176-21	INDUCTOR, FERRITE BEAD (-11/-21/-31/-41/-51/-61)	
O	FB003	1-469-324-21	FERRITE, EMI (SMD) (-11/-21/-31/-41/-51/-61)	
O	FB102	1-469-110-21	FERRITE, EMI (SMD)	
O	FB117	1-469-667-21	FERRITE, EMI (SMD)	
O	FB118	1-469-667-21	FERRITE, EMI (SMD)	
O	FB119	1-469-667-21	FERRITE, EMI (SMD)	
O	FB120	1-414-760-21	FERRITE, EMI (SMD)	
O	FB121	1-414-760-21	FERRITE, EMI (SMD)	
O	FB122	1-414-760-21	FERRITE, EMI (SMD)	
O	FB123	1-469-667-21	FERRITE, EMI (SMD)	
O	FB124	1-216-864-11	METAL CHIP 0 5% 1/16W	
O	FB401	1-500-113-22	BEAD, FERRITE (CHIP) (-11/-21/-31/-41/-51/-61)	
O	FB402	1-500-113-22	BEAD, FERRITE (CHIP) (-11/-21/-31/-41/-51/-61)	
O	FB501	1-550-907-21	BEAD, FERRITE (CHIP)	
O	FB502	1-500-113-22	BEAD, FERRITE (CHIP) (-11/-21/-31/-41/-51/-61)	
O	FB503	1-500-113-22	BEAD, FERRITE (CHIP) (-11/-21/-31/-41/-51/-61)	
O	FB601	1-414-813-11	FERRITE, EMI (SMD)	
O	FB602	1-469-324-21	FERRITE, EMI (SMD) (-11/-21/-31/-41/-51/-61)	
O	FB701	1-469-324-21	FERRITE, EMI (SMD) (-11/-21/-31/-41/-51/-61)	
O	FB702	1-469-324-21	FERRITE, EMI (SMD) (-11/-21/-31/-41/-51/-61)	
O	FB703	1-469-324-21	FERRITE, EMI (SMD) (-11/-21/-31/-41/-51/-61)	
O	FB704	1-469-324-21	FERRITE, EMI (SMD) (-11/-21/-31/-41/-51/-61)	
O	FB710	1-216-864-11	METAL CHIP 0 5% 1/16W (-11/-21/-31/-41/-51/-61)	
< IC >				
S	IC002	8-759-197-94	IC M51957BFP-600D (-11/-21)	
S	IC003	8-759-824-75	IC RN5VD13AA-TL (-31/-41/-51/-61/-71)	
S	IC102	6-800-362-01	IC MSM534031E-45GS-KPR2 (100)	
S	IC102	6-800-363-01	IC MSM534031E-46GS-KPR2 (101/103)	
S	IC102	6-800-364-01	IC MSM534031E-47GS-KPR2 (102)	
S	IC103	8-759-387-16	IC CXD8606Q	
S	IC106	8-759-377-18	IC TC51V18325BJ-60S(YE)	
S	IC201	8-759-369-81	IC KM4132G271Q-12 (-11/-21/-31)	
S	IC201	8-759-684-14	IC K4G163222A-PC70 (-41/-51)	
S	IC203	8-759-366-69	IC CXD8561Q (-11/-21/-31/-41/-51)	
S	IC203	8-759-656-47	IC CXD9500Q (-61/-71)	

SC	Ref. No.	Part No.	Description	Remark
S	IC204	8-759-496-22	IC CY2081SL-500T (NTSC)	
S	IC204	8-759-496-23	IC CY2081SL-509T (PAL)	
S	IC205	8-759-837-19	IC MM1562FFBE (-61)	
S	IC304	6-800-550-01	IC MC68HC05G6PB-SC430947PBEB1 (100:-71,103:-71)	
S	IC304	6-800-551-01	IC MC68HC05G6PB-SC430948PBEB1 (102:-71)	
S	IC304	6-800-552-01	IC MC68HC05G6PB-SC430949PBEB1 (101:-71)	
S	IC304	8-759-598-55	IC MC68HC05G6-SC430942PBEB1 (100:-111/-21/-31/-41/-51/-61,	
S	IC304	8-759-598-56	IC MC68HC05G6-SC430943PBEB1 103:-41/-51/-61)	
S	IC304	8-759-598-57	IC MC68HC05G6-SC430944PBEB1 (101:-21/-31/-41/-51/-61)	
S	IC310	8-759-342-01	IC MB814260-70PJR (-11/-21/-31/-41/-51/-61)	
S	IC405	6-700-780-01	IC NJM2790V(TE2) (-71)	
S	IC405	8-759-598-10	IC NJM2174V(TE2) (-11/-21/-31/-41/-51/-61)	
S	IC502	8-752-086-02	IC CXA2106R-T4	
S	IC601	8-759-391-69	IC MC78M05CDTRK	
S	IC602	8-759-598-12	IC LP2985IM5X-3.5 (-11/-21/-31/-41/-51/-61)	
S	IC603	8-759-691-04	IC BA00AST (-11)	
S	IC604	8-759-643-48	IC BA00ASFP-E2 (-11)	
S	IC606	8-759-346-78	IC TL594CD-R2 (-21)	
S	IC607	8-759-680-31	IC TL594CPWR (-31/-41/-51/-61/-71)	
S	IC608	8-759-837-19	IC MM1562FFBE (-71)	
S	IC722	8-759-677-90	IC BA5947FP-E2	
S	IC723	8-752-087-83	IC CXA2575N-T4	
S	IC732	8-752-395-18	IC CXD2938Q (-11/-21/-31/-41/-51/-61)	
S	IC732	8-752-415-88	IC CXD2941R (-71)	
< JACK >				
O△	J001	1-695-565-11	JACK, DC (POLARITY UNIFIED TYPE) (DC IN 7.5V)	
< COIL >				
O	L104	1-412-052-21	INDUCTOR 1uH	
O	L105	1-412-052-21	INDUCTOR 1uH (-71)	
O	L106	1-412-052-21	INDUCTOR 1uH (-11/-21/-31/-41/-51/-61)	
O	L203	1-469-667-21	FERRITE, EMI (SMD)	
O	L304	1-412-951-11	INDUCTOR 10uH (-11/-21/-31/-41/-51/-61)	
O	L401	1-412-951-11	INDUCTOR 10uH (-11/-21/-31/-41/-51/-61)	
O	L601	1-412-052-21	INDUCTOR 1uH	
O	L602	1-412-052-21	INDUCTOR 1uH (-21/-31/-41/-51/-61/-71)	
O	L603	1-424-674-11	INDUCTOR 22uH (-21/-31/-41/-51/-61/-71)	
O	L604	1-412-052-21	INDUCTOR 1uH (-11/-21/-31/-41/-51/-61)	

The components identified by mark △ or dotted line with mark. △ are critical for safety. Replace only with part number specified.	Les composants identifiés par une marque △ sont critiques pour la sécurité. Ne les remplacer que par une pièce portant le numéro spécifié.
---	--

SC	Ref. No.	Part No.	Description	Remark
O	L605	1-412-052-21	INDUCTOR 1uH (-71)	
O	L606	1-412-951-11	INDUCTOR 10uH (-11/-21/-31/-41/-51/-61)	
O	L607	1-412-960-21	INDUCTOR 56uH (-11/-21/-31/-41/-51/-61)	
O	L608	1-412-052-21	INDUCTOR 1uH (-21/-31/-41/-51)	
O	L608	1-469-523-91	INDUCTOR 2.2uH (-11)	
O	L609	1-412-951-11	INDUCTOR 10uH (-71)	
O	L701	1-412-951-11	INDUCTOR 10uH	
< IC LINK >				
S△	PS004	1-576-123-21	LINK, IC (CCP2E20) 0.8A (-11/-21/-31/-41/-51/-61)	
S△	PS004	1-576-611-21	FUSE, MICRO (1608 TYPE) 0.8A (-71)	
S△	PS600	1-576-398-21	LINK, IC (CCP2E63) 2.5A (-21/-31/-41/-51/-61)	
S△	PS600	1-576-415-11	FUSE, MICRO (1608 TYPE) 2A (-71)	
S△	PS601	1-576-123-21	LINK, IC (CCP2E20) 0.8A (-11/-21/-31/-41/-51/-61)	
S△	PS601	1-576-611-21	FUSE, MICRO (1608 TYPE) 0.8A (-71)	
S△	PS602	1-576-123-21	LINK, IC (CCP2E20) 0.8A (-11)	
S△	PS603	1-576-123-21	LINK, IC (CCP2E20) 0.8A (-11/-21/-31/-41/-51/-61)	
S△	PS606	1-576-123-21	LINK, IC (CCP2E20) 0.8A (-11/-21/-31/-41/-51/-61)	
S△	PS606	1-576-611-21	FUSE, MICRO (1608 TYPE) 0.8A (-71)	
< TRANSISTOR >				
O	Q002	8-729-010-05	TRANSISTOR MSB709-RT1	
O	Q003	8-729-901-00	TRANSISTOR DTC124EK	
O	Q004	8-729-403-17	TRANSISTOR XN1215 (-61/-71)	
O	Q505	8-729-049-77	TRANSISTOR HN1B01F-GR(T5LSONY)	
O	Q600	8-729-015-33	TRANSISTOR 2SB1073-QR-TX (-11)	
O	Q601	8-729-026-52	TRANSISTOR 2SA1576A-T106-R (-11)	
O	Q602	8-729-053-92	TRANSISTOR 2SB1424-T100-QR (-21/-31/-41/-51/-61/-71)	
O	Q701	8-729-903-46	TRANSISTOR 2SB1132-P	
< RESISTOR >				
O	R001	1-216-864-11	METAL CHIP 0 5% 1/16W (-31/-41/-51)	
O	R002	1-216-845-11	METAL CHIP 100K 5% 1/16W (-61/-71)	
O	R003	1-216-833-11	METAL CHIP 10K 5% 1/16W (-61/-71)	
O	R009	1-216-005-00	METAL CHIP 15 5% 1/10W	
O	R010	1-216-031-00	METAL CHIP 180 5% 1/10W	
O	R011	1-216-864-11	METAL CHIP 0 5% 1/16W (-31/-41/-51/-61)	
O	R011	1-218-839-11	METAL CHIP 470 0.5% 1/16W (-11/-21)	
O	R012	1-218-861-11	METAL CHIP 3.9K 0.5% 1/16W	
O	R013	1-218-859-11	METAL CHIP 3.3K 0.5% 1/16W	
O	R014	1-216-029-00	METAL CHIP 150 5% 1/10W	
O	R015	1-216-029-00	METAL CHIP 150 5% 1/10W	

SC	Ref. No.	Part No.	Description	Remark
O	R104	1-216-801-11	METAL CHIP 22 5% 1/16W	
O	R107	1-216-009-91	RES-CHIP 22 5% 1/10W (-11/-21/-31/-41/-51/-61)	
O	R107	1-216-801-11	METAL CHIP 22 5% 1/16W (-71)	
O	R115	1-216-801-11	METAL CHIP 22 5% 1/16W	
O	R132	1-216-821-11	METAL CHIP 1K 5% 1/16W	
O	R133	1-216-821-11	METAL CHIP 1K 5% 1/16W	
O	R134	1-216-821-11	METAL CHIP 1K 5% 1/16W	
O	R135	1-216-821-11	METAL CHIP 1K 5% 1/16W	
O	R136	1-216-821-11	METAL CHIP 1K 5% 1/16W	
O	R137	1-216-805-11	METAL CHIP 47 5% 1/16W	
O	R138	1-216-805-11	METAL CHIP 47 5% 1/16W	
O	R150	1-216-805-11	METAL CHIP 47 5% 1/16W	
O	R154	1-216-815-11	METAL CHIP 330 5% 1/16W	
O	R204	1-216-801-11	METAL CHIP 22 5% 1/16W	
O	R205	1-216-813-11	METAL CHIP 220 5% 1/16W	
O	R206	1-216-801-11	METAL CHIP 22 5% 1/16W	
O	R207	1-216-829-11	METAL CHIP 4.7K 5% 1/16W (-11/-21/-31/-41/-51)	
O	R209	1-216-821-11	METAL CHIP 1K 5% 1/16W (-61)	
O	R215	1-216-829-11	METAL CHIP 4.7K 5% 1/16W (-11/-21/-31/-41/-51)	
O	R338	1-216-830-11	METAL CHIP 5.6K 5% 1/16W	
O	R340	1-216-801-11	METAL CHIP 22 5% 1/16W	
O	R341	1-216-801-11	METAL CHIP 22 5% 1/16W	
O	R342	1-216-801-11	METAL CHIP 22 5% 1/16W	
O	R425	1-216-827-11	METAL CHIP 3.3K 5% 1/16W	
O	R426	1-216-827-11	METAL CHIP 3.3K 5% 1/16W	
O	R429	1-216-809-11	METAL CHIP 100 5% 1/16W	
O	R430	1-216-809-11	METAL CHIP 100 5% 1/16W	
O	R501	1-216-825-11	METAL CHIP 2.2K 5% 1/16W	
O	R527	1-216-839-11	METAL CHIP 33K 5% 1/16W	
O	R528	1-216-837-11	METAL CHIP 22K 5% 1/16W	
O	R529	1-216-824-11	METAL CHIP 1.8K 5% 1/16W	
O	R541	1-216-824-11	METAL CHIP 1.8K 5% 1/16W	
O	R542	1-216-833-11	METAL CHIP 10K 5% 1/16W	
O	R543	1-218-857-11	METAL CHIP 2.7K 0.5% 1/16W (102)	
O	R543	1-218-859-11	METAL CHIP 3.3K 0.5% 1/16W (100/101/103)	
O	R606	1-216-821-11	METAL CHIP 1K 5% 1/16W (-11/-41/-51/-61/-71)	
O	R606	1-216-845-11	METAL CHIP 100K 5% 1/16W (-21/-31)	
O	R624	1-211-952-91	METAL CHIP 10 0.5% 1/10W (-11)	
O	R625	1-211-952-91	METAL CHIP 10 0.5% 1/10W (-11)	
O	R626	1-211-952-91	METAL CHIP 10 0.5% 1/10W (-11)	
O	R627	1-211-952-91	METAL CHIP 10 0.5% 1/10W (-11)	

SC	Ref. No.	Part No.	Description	Remark
O	R628	1-216-805-11	METAL CHIP 47 5% 1/16W (-11)	
O	R629	1-216-825-11	METAL CHIP 2.2K 5% 1/16W (-11)	
O	R630	1-216-819-11	METAL CHIP 680 5% 1/16W (-11)	
O	R631	1-208-793-11	METAL CHIP 3K 0.5% 1/10W (-11)	
O	R632	1-208-800-11	METAL CHIP 5.6K 0.5% 1/10W (-11)	
O	R633	1-208-800-11	METAL CHIP 5.6K 0.5% 1/10W (-11)	
O	R634	1-208-793-11	METAL CHIP 3K 0.5% 1/10W (-11)	
O	R636	1-216-864-11	METAL CHIP 0 5% 1/16W (-11)	
O	R640	1-216-864-11	METAL CHIP 0 5% 1/16W	
O	R641	1-216-817-11	METAL CHIP 470 5% 1/16W (-71)	
O	R641	1-216-864-11	METAL CHIP 0 5% 1/16W (-11/-21/-31/-41/-51/-61)	
O	R642	1-216-295-91	SHORT 0	
O	R642	1-216-864-11	METAL CHIP 0 5% 1/16W (-11/-21/-31/-41/-51/-61)	
O	R644	1-216-817-11	METAL CHIP 470 5% 1/16W (-71)	
O	R661	1-216-041-00	METAL CHIP 470 5% 1/10W (-21/-31/-41/-51/-61/-71)	
O	R662	1-218-860-11	METAL CHIP 3.6K 0.5% 1/16W (-21/-31/-41/-51/-61/-71)	
O	R663	1-218-687-11	METAL CHIP 620 0.5% 1/16W (-21/-31/-41/-51/-61/-71)	
O	R664	1-216-864-11	METAL CHIP 0 5% 1/16W (-21/-31/-41/-51/-61)	
O	R665	1-220-760-11	RES-CHIP 0.2 5% 1/2W (-21/-31/-41/-51/-61)	
O	R666	1-216-864-11	METAL CHIP 0 5% 1/16W (-21/-31/-41/-51/-61)	
O	R667	1-216-827-11	METAL CHIP 3.3K 5% 1/16W (-21/-31/-41/-51/-61)	
O	R668	1-216-813-11	METAL CHIP 220 5% 1/16W (-21/-31/-41/-51/-61)	
O	R681	1-216-041-00	METAL CHIP 470 5% 1/10W (-21/-31/-41/-51/-61/-71)	
O	R691	1-218-874-11	METAL CHIP 13K 0.5% 1/16W (-21/-31/-41/-51/-61/-71)	
O	R692	1-218-851-11	METAL CHIP 1.5K 0.5% 1/16W (-21/-31/-41/-51/-61/-71)	
O	R693	1-216-853-11	METAL CHIP 470K 5% 1/16W (-21/-31/-41/-51/-61/-71)	
O	R694	1-216-841-11	METAL CHIP 47K 5% 1/16W (-21/-31/-41/-51/-61/-71)	
O	R695	1-216-845-11	METAL CHIP 100K 5% 1/16W (-21/-31/-41/-51/-61/-71)	
O	R696	1-216-830-11	METAL CHIP 5.6K 5% 1/16W (-21/-31/-41/-51/-61/-71)	
O	R701	1-216-829-11	METAL CHIP 4.7K 5% 1/16W	

SC	Ref. No.	Part No.	Description	Remark
O	R702	1-216-835-11	METAL CHIP 15K 5% 1/16W	
O	R703	1-216-844-11	METAL CHIP 82K 5% 1/16W	
O	R704	1-216-833-11	METAL CHIP 10K 5% 1/16W	
O	R705	1-216-845-11	METAL CHIP 100K 5% 1/16W	
O	R706	1-216-853-11	METAL CHIP 470K 5% 1/16W	
O	R707	1-218-727-11	RES-CHIP 30K 5% 1/16W (-71)	
O	R708	1-216-834-11	METAL CHIP 12K 5% 1/16W (-71)	
O	R710	1-216-833-11	METAL CHIP 10K 5% 1/16W	
O	R712	1-216-827-11	METAL CHIP 3.3K 5% 1/16W	
O	R714	1-216-827-11	METAL CHIP 3.3K 5% 1/16W (-11/-21/-31/-41/-51/-61)	
O	R717	1-216-809-11	METAL CHIP 100 5% 1/16W	
O	R723	1-216-839-11	METAL CHIP 33K 5% 1/16W	
O	R725	1-216-829-11	METAL CHIP 4.7K 5% 1/16W	
O	R726	1-218-727-11	RES-CHIP 30K 5% 1/16W (-71)	
O	R727	1-216-835-11	METAL CHIP 15K 5% 1/16W	
O	R728	1-216-845-11	METAL CHIP 100K 5% 1/16W (-71)	
O	R730	1-218-727-11	RES-CHIP 30K 5% 1/16W (-71)	
O	R732	1-216-834-11	METAL CHIP 12K 5% 1/16W (-71)	
O	R732	1-216-835-11	METAL CHIP 15K 5% 1/16W (-11/-21/-31/-41/-51/-61)	
O	R733	1-216-834-11	METAL CHIP 12K 5% 1/16W (-71)	
O	R733	1-216-845-11	METAL CHIP 100K 5% 1/16W (-11/-21/-31/-41/-51/-61)	
O	R734	1-216-825-11	METAL CHIP 2.2K 5% 1/16W	
O	R738	1-218-707-11	RES-CHIP 4.3K 5% 1/16W	
O	R739	1-216-823-11	METAL CHIP 1.5K 5% 1/16W	
O	R740	1-216-821-11	METAL CHIP 1K 5% 1/16W	
O	R741	1-216-834-11	METAL CHIP 12K 5% 1/16W	
O	R742	1-218-883-11	METAL CHIP 33K 0.5% 1/16W (-71)	
O	R743	1-216-864-11	METAL CHIP 0 5% 1/16W (-71)	
O	R745	1-218-884-11	METAL CHIP 36K 0.5% 1/16W	
O	R746	1-218-884-11	METAL CHIP 36K 0.5% 1/16W	
O	R747	1-216-009-91	RES-CHIP 22 5% 1/10W	
O	R748	1-218-883-11	METAL CHIP 33K 0.5% 1/16W	
O	R749	1-218-883-11	METAL CHIP 33K 0.5% 1/16W	
O	R750	1-216-009-91	RES-CHIP 22 5% 1/10W	
O	R751	1-216-864-11	METAL CHIP 0 5% 1/16W (-71)	
O	R769	1-218-667-11	RES-CHIP 91 5% 1/16W	
O	R770	1-216-845-11	METAL CHIP 100K 5% 1/16W	
O	R774	1-216-864-11	METAL CHIP 0 5% 1/16W	
O	R775	1-216-841-11	METAL CHIP 47K 5% 1/16W	
O	R783	1-216-829-11	METAL CHIP 4.7K 5% 1/16W	
O	R791	1-216-834-11	METAL CHIP 12K 5% 1/16W (-71)	

The components identified by mark △ or dotted line with mark △ are critical for safety. Replace only with part number specified.	Les composants identifiés par une marque △ sont critiques pour la sécurité. Ne les remplacer que par une pièce portant le numéro spécifié.
--	--

SC	Ref. No.	Part No.	Description	Remark	SC	Ref. No.	Part No.	Description	Remark
0	R792	1-218-727-11	RES-CHIP 30K 5%	1/16W (-71)				ACCESSORIES *****	
0	R793	1-216-845-11	METAL CHIP 100K 5%	1/16W				<SCPH-100>	
0	R795	1-216-833-11	METAL CHIP 10K 5%	1/16W	0	AC	1-476-267-16	ADAPTOR, AC (SCPH-112)	
0	R901	1-216-295-91	SHORT 0	(101)	0	AV	1-792-028-11	CORD, CONNECTION (A/V CABLE)	
0	R902	1-216-295-91	SHORT 0	(102)	0	CONT	1-757-144-33	CORD, CONNECTION (ANALOG CONTROLLER)	
0	R903	1-216-295-91	SHORT 0	(103)	0	MANUAL	3-068-146-02	MANUAL, INSTRUCTION (JAPANESE)	
			< NETWORK RESISTOR >					<SCPH-101>	
0	RB120	1-234-030-11	RES, NETWORK (CHIP TYPE) 22X4		0	AC	1-476-409-21	ADAPTOR, AC (SCPH-113)	
0	RB121	1-234-030-11	RES, NETWORK (CHIP TYPE) 22X4		0	AV	1-792-028-11	CORD, CONNECTION (A/V CABLE)	
0	RB122	1-234-030-11	RES, NETWORK (CHIP TYPE) 22X4		0	CONT	1-757-144-33	CORD, CONNECTION (ANALOG CONTROLLER)	
0	RB123	1-233-955-11	RES, NETWORK (CHIP TYPE) 100X4		0	MANUAL	3-065-224-12	MANUAL, INSTRUCTION (ENGLISH,FRENCH, SPANISH)	
0	RB124	1-233-967-11	RES, NETWORK (CHIP TYPE) 10KX4					<SCPH-102>	
0	RB125	1-234-030-11	RES, NETWORK (CHIP TYPE) 22X4		0	AC	1-476-410-12	ADAPTOR, AC (SCPH-114) (102C)	
0	RB126	1-233-959-21	RES, NETWORK (CHIP TYPE) 470X4		0	AC	1-476-411-11	ADAPTOR, AC (SCPH-115) (102B)	
0	RB201	1-234-030-11	RES, NETWORK (CHIP TYPE) 22X4	(-11/-21/-31/-41/-51)	0	AC	1-476-412-11	ADAPTOR, AC (SCPH-116) (102A)	
0	RB202	1-234-030-11	RES, NETWORK (CHIP TYPE) 22X4	(-11/-21/-31/-41/-51)	0	AV	1-792-028-11	CORD, CONNECTION (A/V CABLE)	
0	RB203	1-234-467-21	RES, NETWORK (CHIP TYPE) 82X4 (-41/-51)		0	CONT	1-757-144-33	CORD, CONNECTION (ANALOG CONTROLLER)	
0	RB204	1-234-467-21	RES, NETWORK (CHIP TYPE) 82X4 (-41/-51)		0	CONV	1-573-291-11	CONNECTOR, CONVERSION (102C)	
0	RB205	1-234-467-21	RES, NETWORK (CHIP TYPE) 82X4 (-41/-51)		0	MANUAL	3-066-615-11	MANUAL, INSTRUCTION (ENGLISH) (102A)	
0	RB206	1-234-467-21	RES, NETWORK (CHIP TYPE) 82X4 (-41/-51)		0	MANUAL	3-066-615-21	MANUAL, INSTRUCTION (ENGLISH) (102B)	
0	RB207	1-234-467-21	RES, NETWORK (CHIP TYPE) 82X4 (-41/-51)		0	MANUAL	3-066-615-31	MANUAL, INSTRUCTION (FRENCH,SPANISH, GERMAN,ITALIAN,DUTCH,PORTUGUESE) (102C)	
0	RB208	1-234-467-21	RES, NETWORK (CHIP TYPE) 82X4 (-41/-51)		0	MANUAL	3-066-615-53	MANUAL, INSTRUCTION (ENGLISH,RUSSIAN, ARABIC) (102D)	
0	RB209	1-234-467-21	RES, NETWORK (CHIP TYPE) 82X4 (-41/-51)		0	RF	1-476-040-31	ADAPTOR, RF (102B)	
0	RB210	1-234-467-21	RES, NETWORK (CHIP TYPE) 82X4 (-41/-51)					<SCPH-103>	
0	RB501	1-234-482-21	RES, NETWORK (CHIP TYPE) 75X4		0	AC	1-476-410-12	ADAPTOR, AC (SCPH-114)	
0	RB502	1-234-482-21	RES, NETWORK (CHIP TYPE) 75X4		0	AC	1-476-411-11	ADAPTOR, AC (SCPH-115)	
			< SWITCH >		0	AC	1-476-587-11	ADAPTOR, AC (SCPH-117)	
0	S001	1-762-745-22	SWITCH, PUSH (I/⏻/RESET)		0	AC	1-477-217-11	ADAPTOR, AC (SCPH-123D) (103D)	
0	S301	1-771-764-11	SWITCH, PUSH (1 KEY) (CD DOOR OPEN/CLOSE DET)		0	AV	1-792-028-11	CORD, CONNECTION (A/V CABLE)	
			< VIBRATOR >		0	CONT	1-757-144-33	CORD, CONNECTION (ANALOG CONTROLLER)	
S	X201	1-767-783-21	VIBRATOR, CRYSTAL (14.318182MHz) (NTSC)		0	MANUAL	3-066-615-42	MANUAL, INSTRUCTION (ENGLISH, TRADITIONAL CHINESE,HUNGARIAN)	
S	X201	1-767-940-22	VIBRATOR, CRYSTAL (17.73447MHz) (PAL)						

The components identified by mark Δ or dotted line with mark. Δ are critical for safety. Replace only with part number specified.	Les composants identifiés par une marque Δ sont critiques pour la sécurité. Ne les remplacer que par une pièce portant le numéro spécifié.
---	---