

Adapted from existing TurboGrafx-16 schematics
 Differences reverse engineered from original PWD-623A board
 For contributions or corrections please visit:
<https://github.com/Board-Folk/PC-Engine>

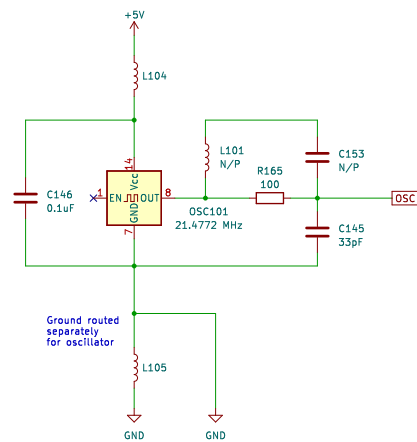
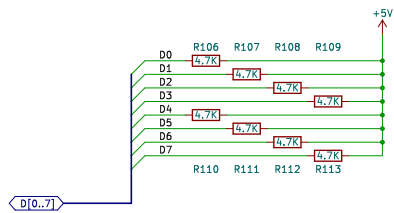
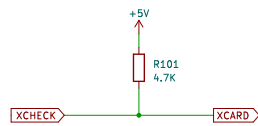
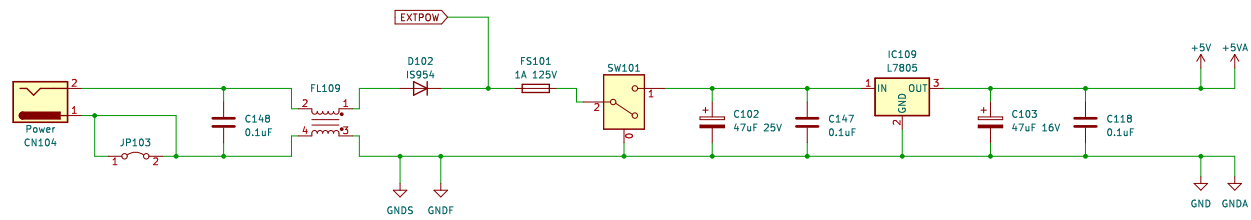
By Cosam

Sheet: /Video/
 File: video.kicad_sch

Title: PC Engine Video Encoding

Size: A3 Date: 2023-11-15
 KiCad E.D.A. kicad 7.0.8

Rev: 1.2.1
 Id: 3/6



Adapted from existing TurboGraf-16 schematics
 Differences reverse engineered from original PWD-623A board
 For contributions or corrections please visit:
<https://github.com/Board-Folk/PC-Engine>

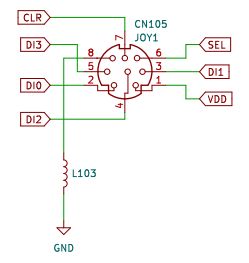
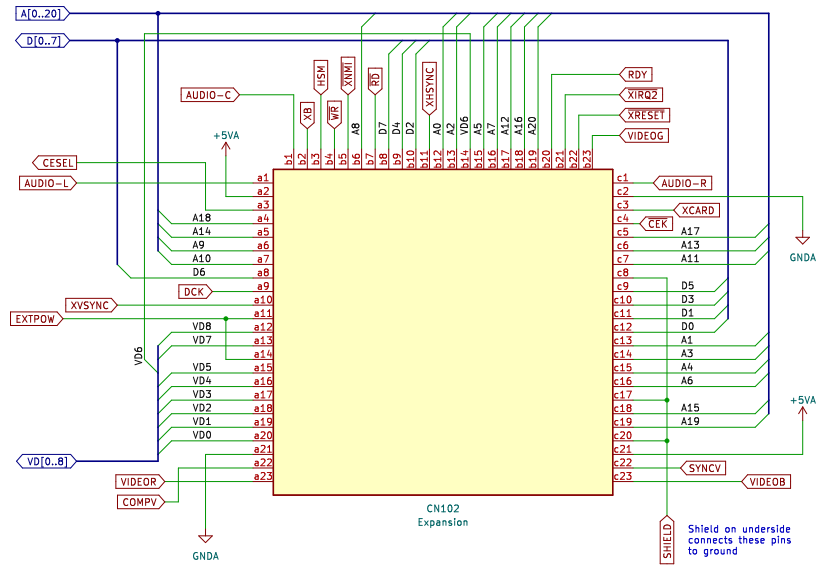
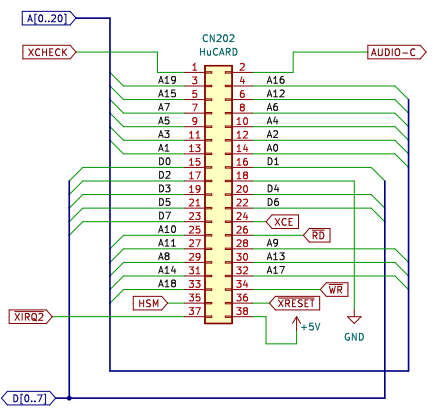
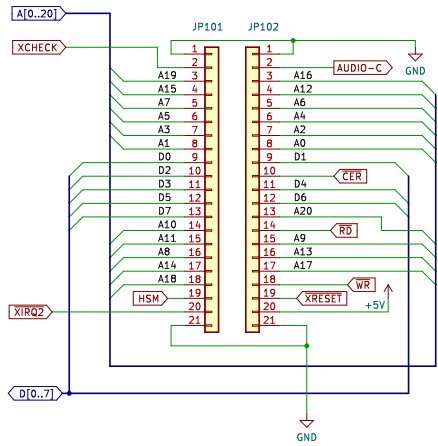
By Cosam

Sheet: /Power/
 File: power.kicad_sch

Title: PC Engine Power, Oscillator and Misc.

Size: A3 | Date: 2023-11-15
 KiCad E.D.A. kicad 7.0.8

Rev: 1.2.1
 Id: 4/6



Adapted from existing TurboGrafX-16 schematics
 Differences reverse engineered from original PWD-623A board
 For contributions or corrections please visit:
<https://github.com/Board-Folk/PC-Engine>
 By Cosam
 Sheet: /Connectors/
 File: connectors.kicad_sch
Title: PC Engine Connectors
 Size: A3 | Date: 2023-11-15 | Rev: 1.2.1
 KiCad E.D.A. kicad 7.0.8 | Id: 5/6

CPU



File: cpu.kicad_sch

VDC



File: vdc.kicad_sch

Video



File: video.kicad_sch

Power



File: power.kicad_sch

Connectors



File: connectors.kicad_sch

Adapted from existing TurboGrafx-16 schematics
Differences reverse engineered from original PWD-623A board
For contributions or corrections please visit:
<https://github.com/Board-Folk/PC-Engine>

By **Cosam**

Sheet: /
File: PCE.kicad_sch

Title: Index

Size: A3 | Date: 2023-11-15
KiCad E.D.A. kicad 7.0.8

Rev: 1.2.1
Id: 6/6