

PAGE	CONTENTS
[1]	COVER PAGE
[2]	CLOCK DIAGRAM
[3]	RESET/ENABLE DIAGRAM
[4]	CPU, CLOCKS + EEPROM + STRAPPING
[5]	CPU, FSB
[6]	CPU, FSB POWER + PLL POWER
[7]	CPU, CORE POWER
[8]	CPU, POWER
[9]	CPU, DECOUPLING
[10]	CPU, DECOUPLING
[11]	CPU, DECOUPLING
[12]	GPU, FSB
[13]	GPU, VIDEO + PCIEX + EEPROM
[14]	GPU, MEMORY CONTROLLER A + B
[15]	GPU, MEMORY CONTROLLER C + D
[16]	GPU, PLL POWER + FSB POWER
[17]	GPU, CORE POWER + MEM POWER
[18]	GPU, DECOUPLING
[19]	DUAL ETHERNET PHY
[20]	MEMORY, A (TOP)
[21]	MEMORY, A MIRRORED (BOTTOM)
[22]	MEMORY, B (TOP)
[23]	MEMORY, B MIRRORED (BOTTOM)
[24]	MEMORY, C (TOP)
[25]	MEMORY, C MIRRORED (BOTTOM)
[26]	MEMORY, D (TOP)
[27]	MEMORY, D MIRRORED (BOTTOM)
[28]	ANA, CLOCKS + STRAPPING
[29]	ANA, VIDEO + FAN + JTAG
[30]	ANA, POWER + DECOUPLING
[31]	DEBUG MAPPING, WN DBG VS WN XDK
[32]	POWER TRACE EMI CAPS

PAGE	CONTENTS
[33]	SB, PCIEX + SMM GPIO + JTAG
[34]	SB, SMC
[35]	SB, FLASH + USB + SPI
[36]	SB, ETHERNET + AUDIO + SATA
[37]	SB, STANDBY POWER + DECOUPLE
[38]	SB, MAIN POWER + DECOUPLE
[39]	SB OUT, ETHERNET
[40]	SB OUT, AUDIO
[41]	SB OUT, FLASH
[42]	SB OUT, FAN + INFRARED + BUTTONS
[43]	CONN, AVIP
[44]	CONN, RJ45 + USB COMBO
[45]	CONN, GAME PORTS + MEMORY PORTS
[46]	BACKUP CLOCK + V_5P0 DUAL
[47]	CONN, ODD AND HDD
[48]	CONN, ARGON + POWER
[49]	VREGS, INPUT + OUTPUT FILTERS
[50]	VREGS, CPU CONTROLLER
[51]	VREGS, GPU OUTPUT PHASE 1,2,3
[52]	VREGS, GPU CONTROLLER
[53]	VREGS, GPU OUTPUT PHASE 1,2
[54]	VREGS, SWITCHED 1.8, 5.0V
[55]	VREGS, LINEAR REGULATORS
[56]	XDK, DEBUG CONN
[57]	DEBUG BOARD, CPU + GPU BREAKOUT
[58]	DEBUG BOARD, CPU CONN
[59]	DEBUG BOARD, CPU CONN + TERM
[60]	DEBUG BOARD, CPU TERM
[61]	DEBUG BOARD, TITAN + YETI CONN
[62]	DEBUG BOARD, GPU CONN + TERM
[63]	XDK, LEDS
[64]	LABELS AND MOUNTING

# XENON

## RETAIL

REV K7  
FAB K

RULES: (APPLIED WHEN POSSIBLE)

- 1.) MSB TO LSB IS TOP TO BOTTOM
- 2.) WHEN POSSIBLE, INPUTS ON LEFT, OUTPUTS ON RIGHT
- 3.) ORDER OF PAGES: CHIP INTERFACES, TERMINATION, POWER, DECOUPLING
- 4.) AVOID USING OFF PAGE CONNECTORS FOR ON PAGE CONNECTIONS
- 5.) LANED SIGNALS ARE GROUPED ON SYMBOLS
- 6.) TRANSMITTER NAME USED AS PREFIX WITH RX AND TX CONNECTIONS
- 7.) SUFFIX V IS USED FOR VOLTAGE RAIL SIGNAL NAMES
- 8.) SUFFIX DP AND DN ARE USED FOR DIFFERENTIAL PAIRS
- 9.) UNNAMED NETS ARE NAMED WITH /2 TEXT SIZE
- 10.) SUFFIX -N FOR ACTIVE LOW OR N JUNCTION
- 11.) SUFFIX -EN FOR ENABLE
- 12.) SUFFIX -EN FOR ENABLE
- 13.) SUFFIX -EN FOR ENABLE
- 14.) CLK FOR CLOCKS, RST FOR RESETS
- 15.) PWRGD FOR POWER GOOD

[PAGE\_TITLE=COVER PAGE]

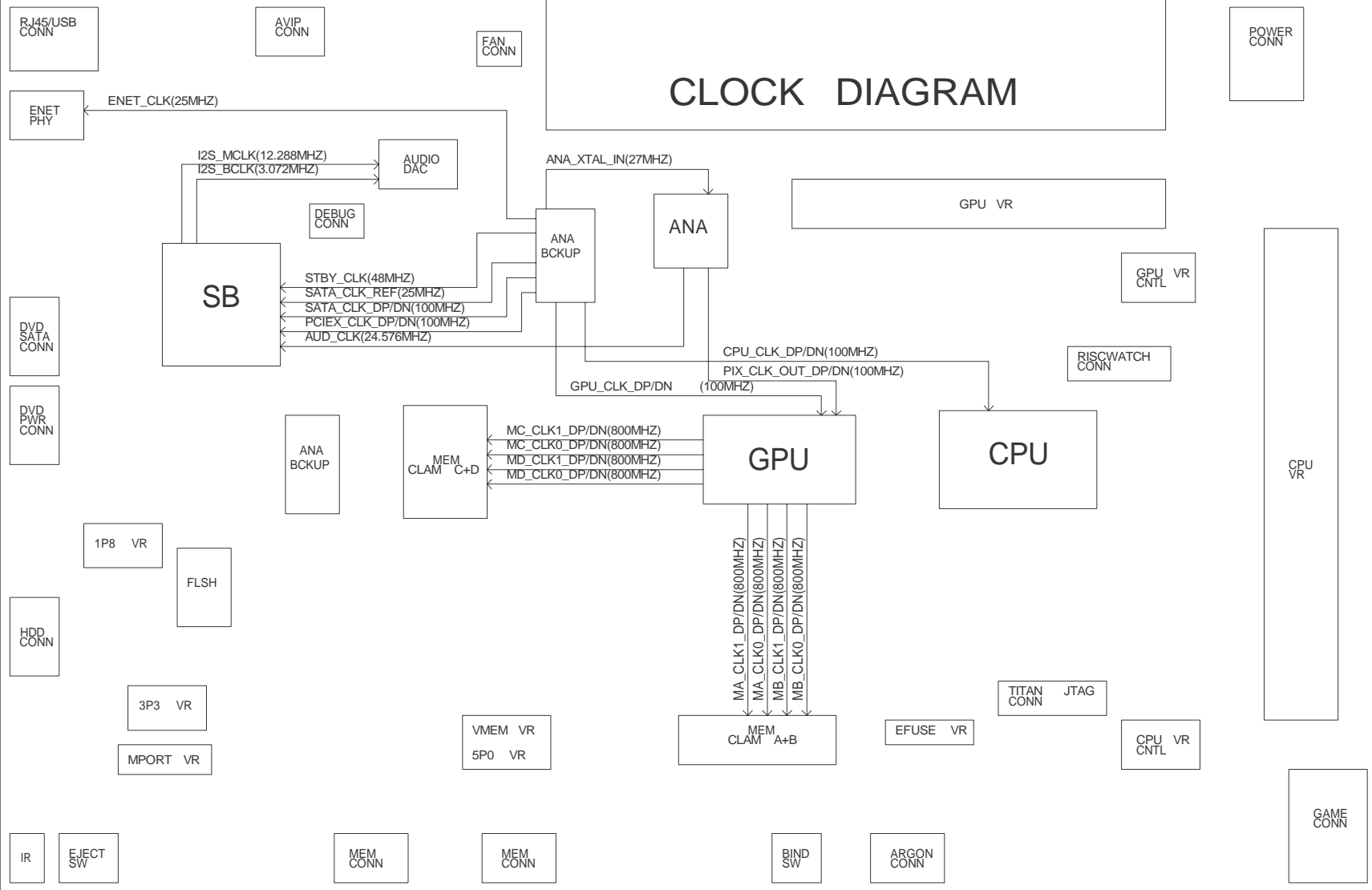
DRAWING  
XENON\_FABK  
Wed Aug 24 09:41:55 2005

# XENON

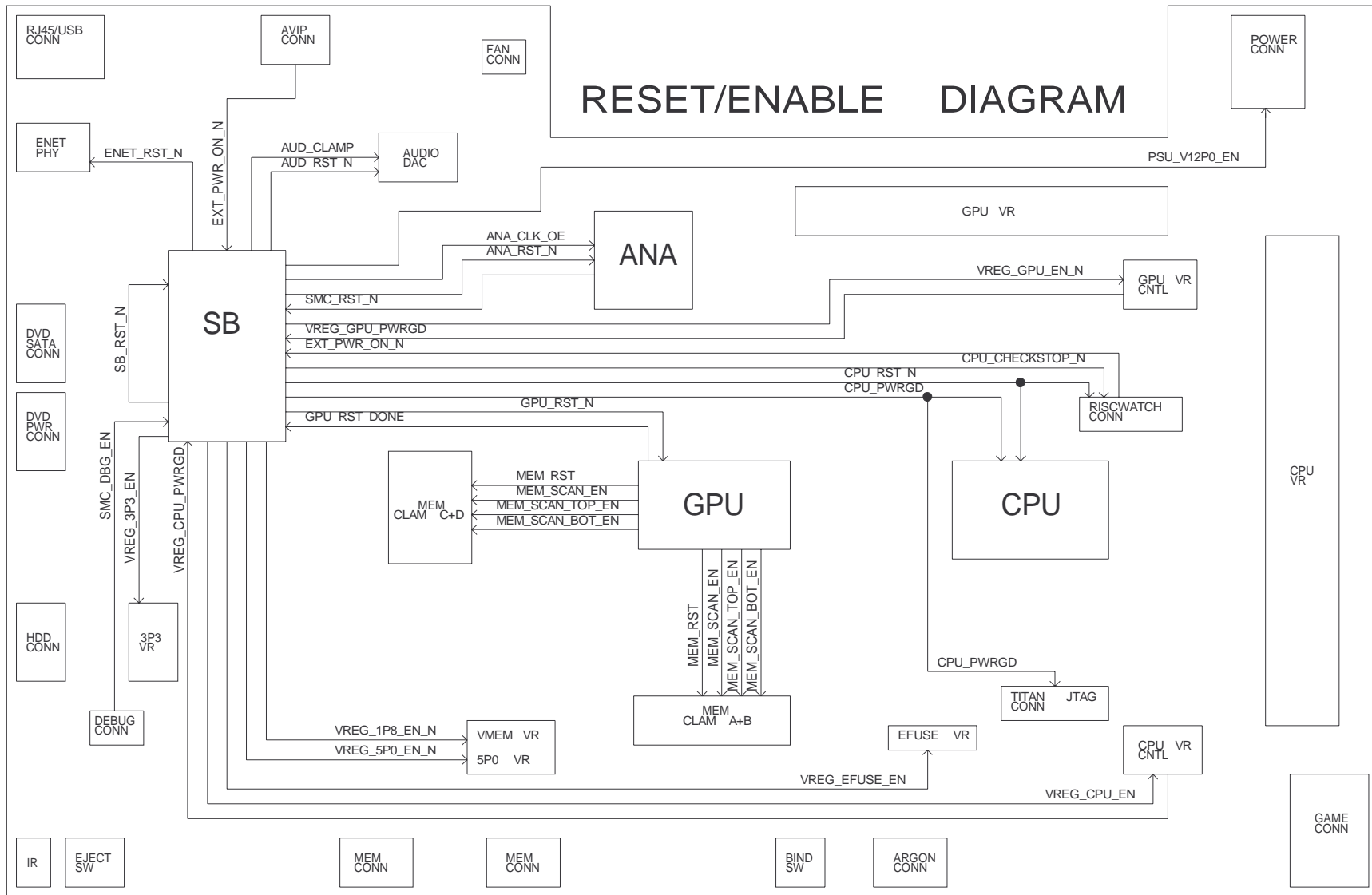
PLEASE REFER TO THE XENON DESIGN SPEC

BOM RELEASE DATE	XXXXXX	PB NUMBER	X803600-011
SIGNATURE	DATE	MICROSOFT XBOX	
DRN BY		TITLE	
CHK BY		SCH, PBA, XENON	
ENGR			
APVD		MICROSOFT	PROJECT NAME
APVD		CONFIDENTIAL	XENON_RETAIL
		PAGE	REV
		1/73	K7

# CLOCK DIAGRAM



# RESET/ENABLE DIAGRAM



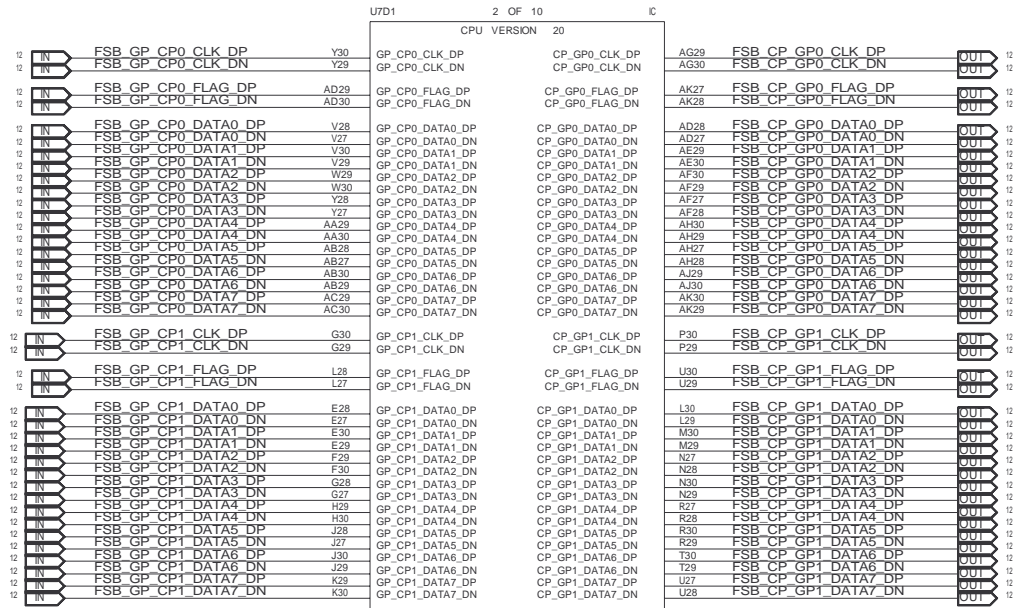
[PAGE\_TITLE=RESET/ENABLE DIAGRAM]

DRAWING  
XENON\_FABK  
Wed Jul 27 21:53:44 2005

MICROSOFT CONFIDENTIAL	PROJECT NAME XENON_RETAIL	PAGE 3/73	REV K7
---------------------------	------------------------------	--------------	-----------

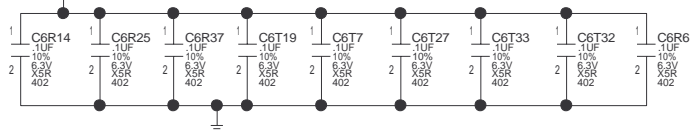


# CPU, FSB

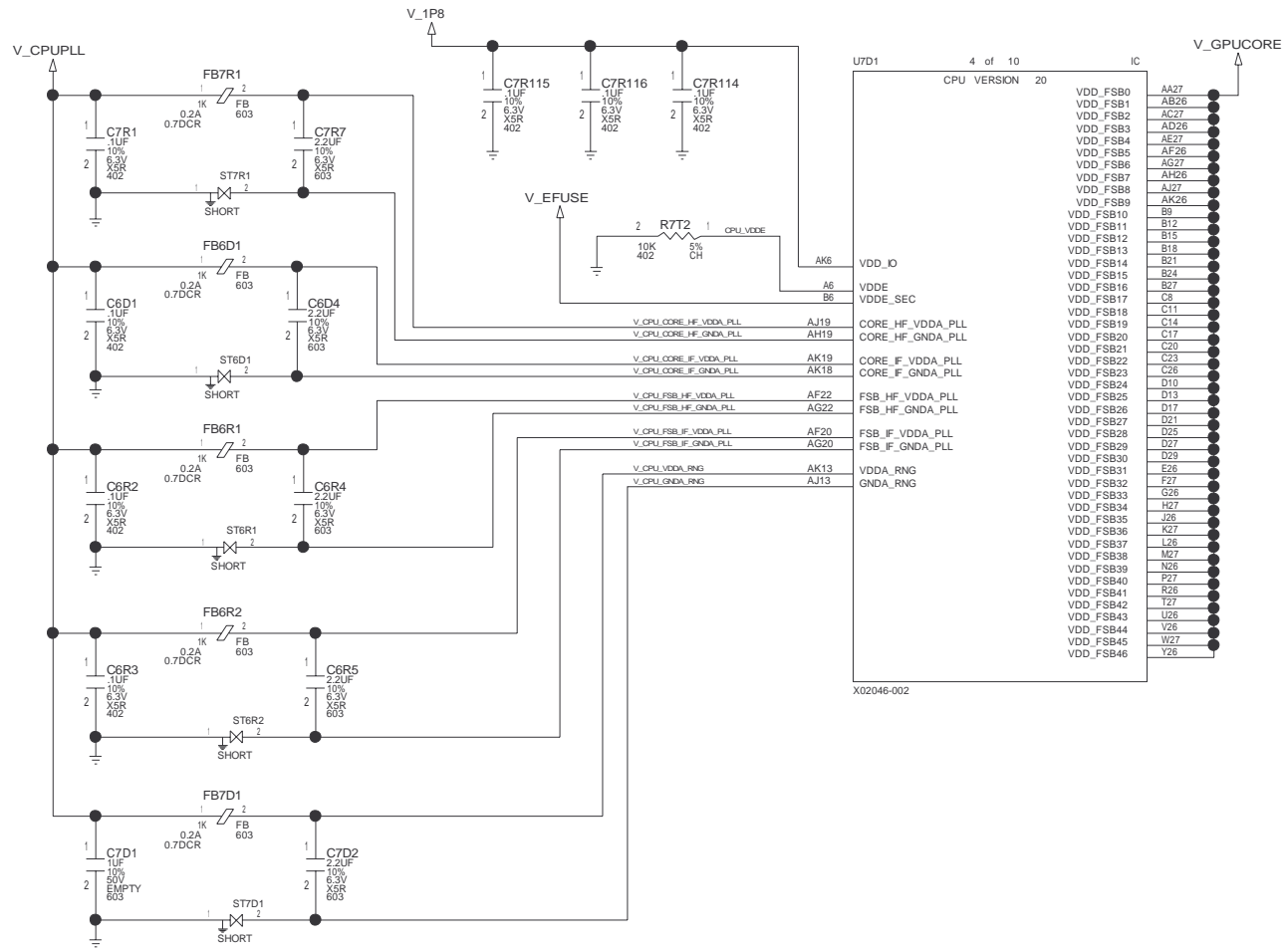


X02046-002

V\_GPUCORE



# CPU, FSB POWER + PLL POWER

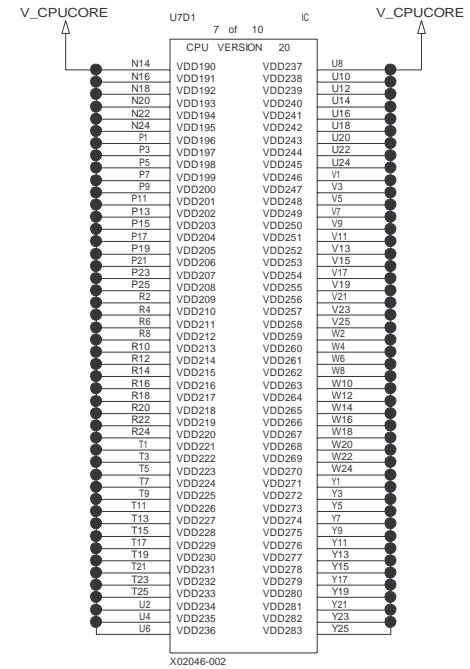
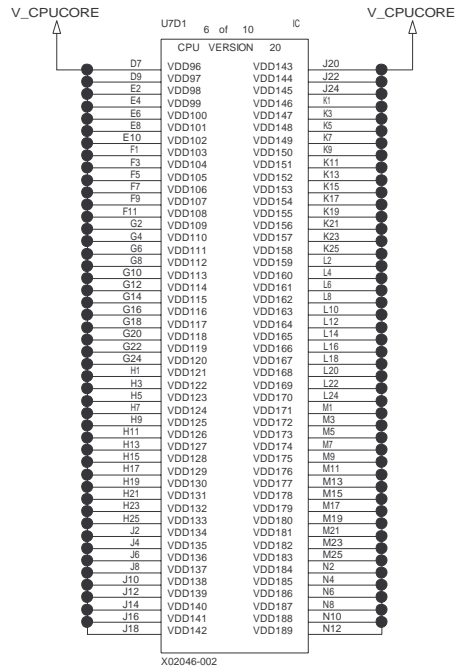
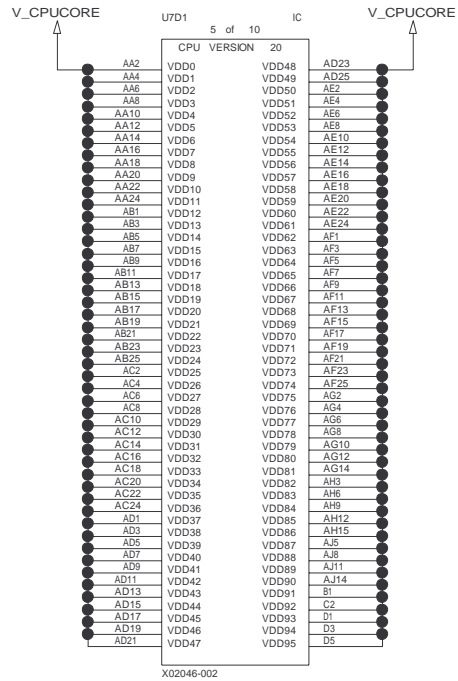


[PAGE\_TITLE=CPU, FSB POWER + PLL POWER]

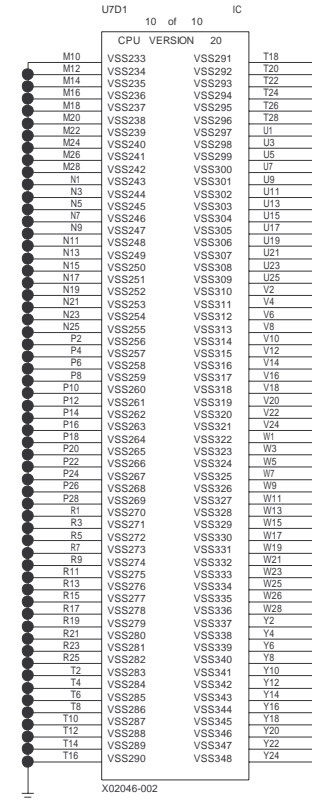
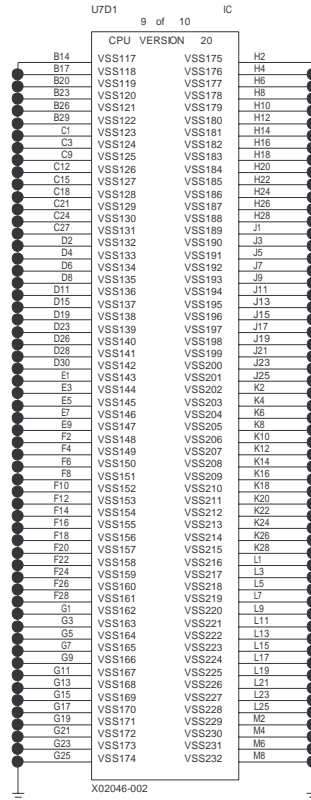
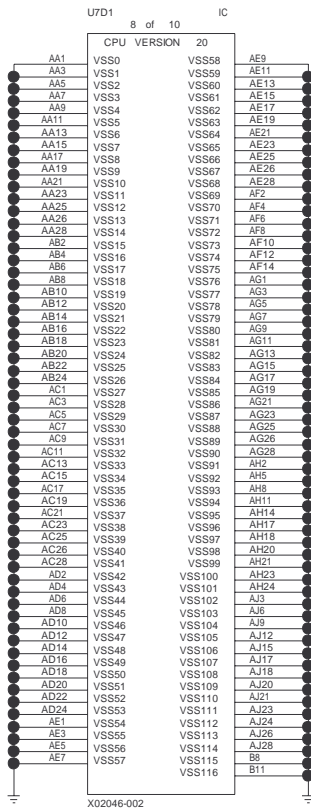
DRAWING  
XENON\_FABK  
Wed Aug 24 09:27:01 2005

MICROSOFT CONFIDENTIAL	PROJECT NAME XENON_RETAIL	PAGE 6/73	REV K7
---------------------------	------------------------------	--------------	-----------

# CPU, CORE POWER



# CPU, POWER

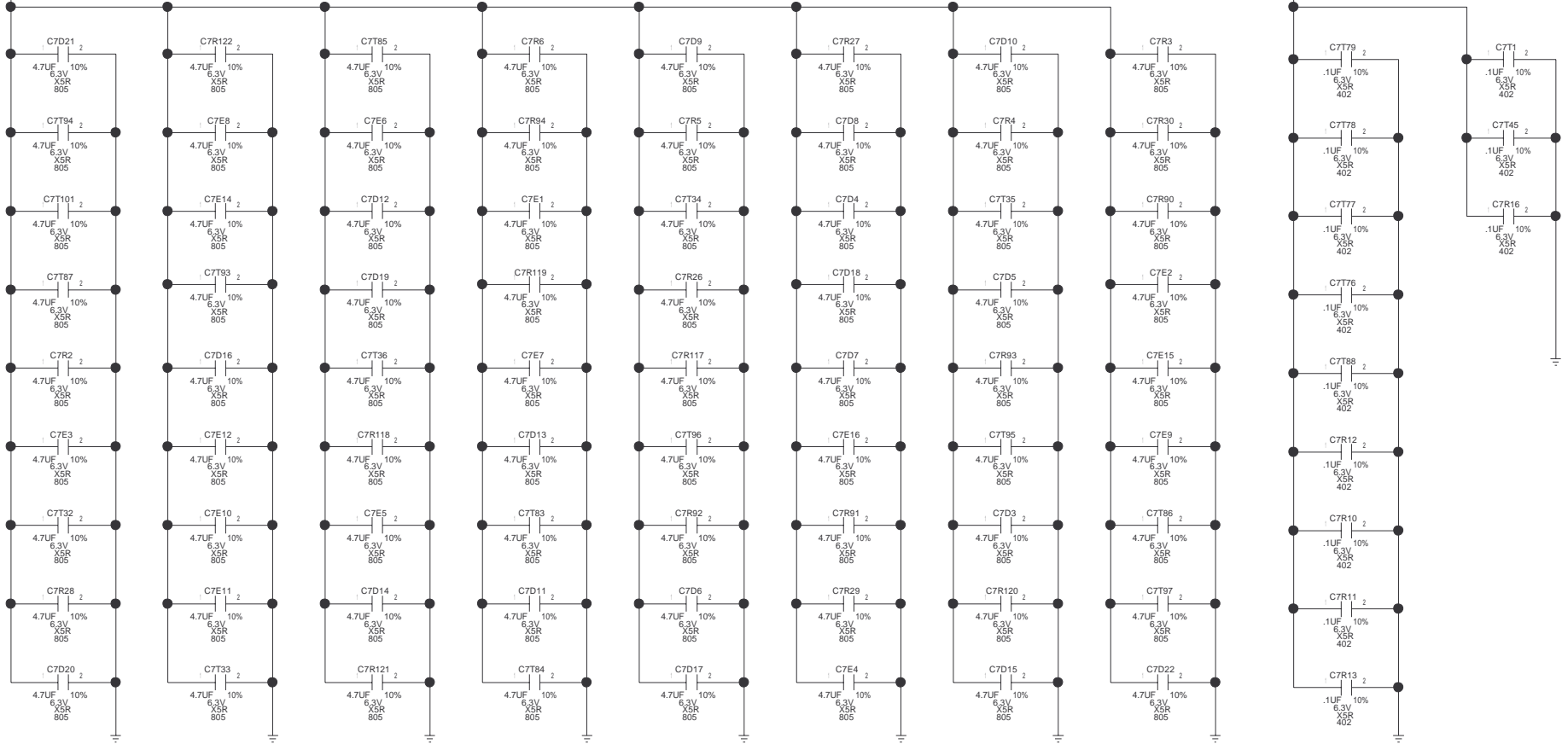




V\_CPUCORE

### CPU, DECOUPLING

V\_CPUCORE



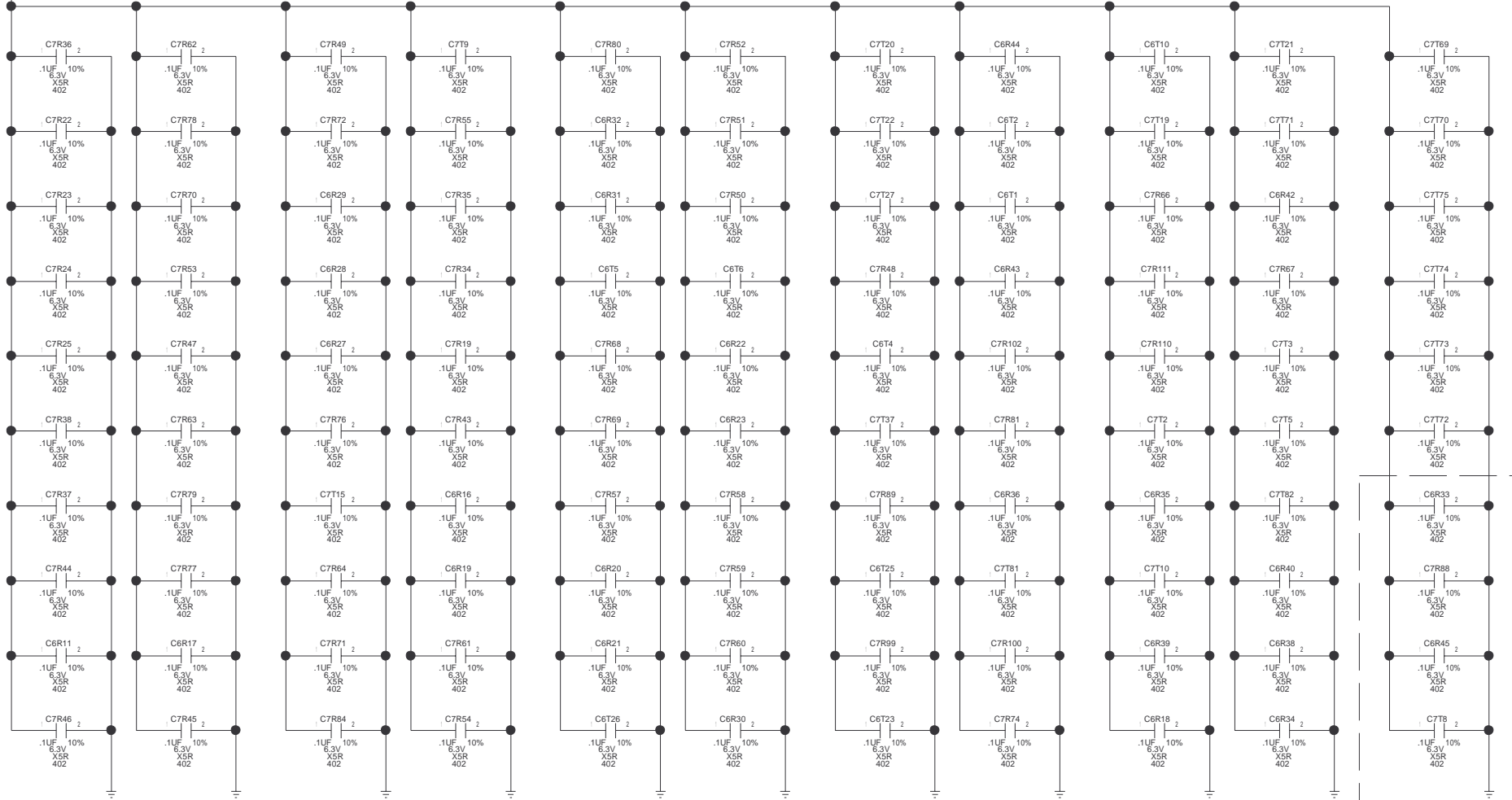
[PAGE\_TITLE=CPU, DECOUPLING]

DRAWING  
XENON\_FABK  
Wed Aug 24 09:27:03 2005

MICROSOFT CONFIDENTIAL	PROJECT_NAME XENON_RETAIL	PAGE 9/73	REV K7
---------------------------	------------------------------	--------------	-----------

V\_CPUCORE

### CPU, DECOUPLING



N: EMPTY FOR CPU SOCKET

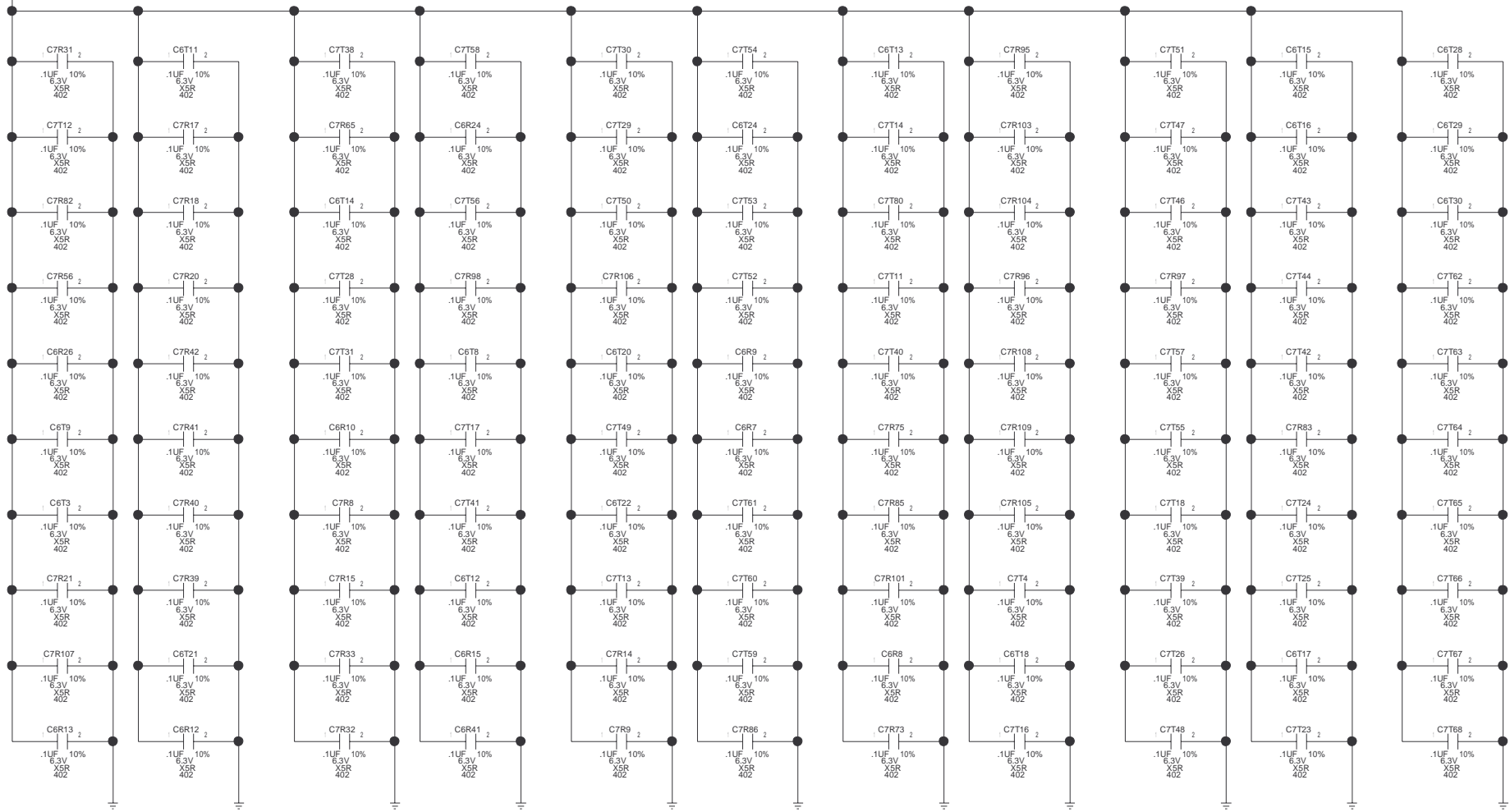
[PAGE\_TITLE=CPU, DECOUPLING]

DRAWING  
XENON\_FABK  
Wed Aug 24 09:27:03 2005

MICROSOFT CONFIDENTIAL	PROJECT NAME XENON_RETAIL	PAGE 10/73	REV K7
---------------------------	------------------------------	---------------	-----------

V\_CPUCORE

### CPU, DECOUPLING



[PAGE\_TITLE=CPU, DECOUPLING]

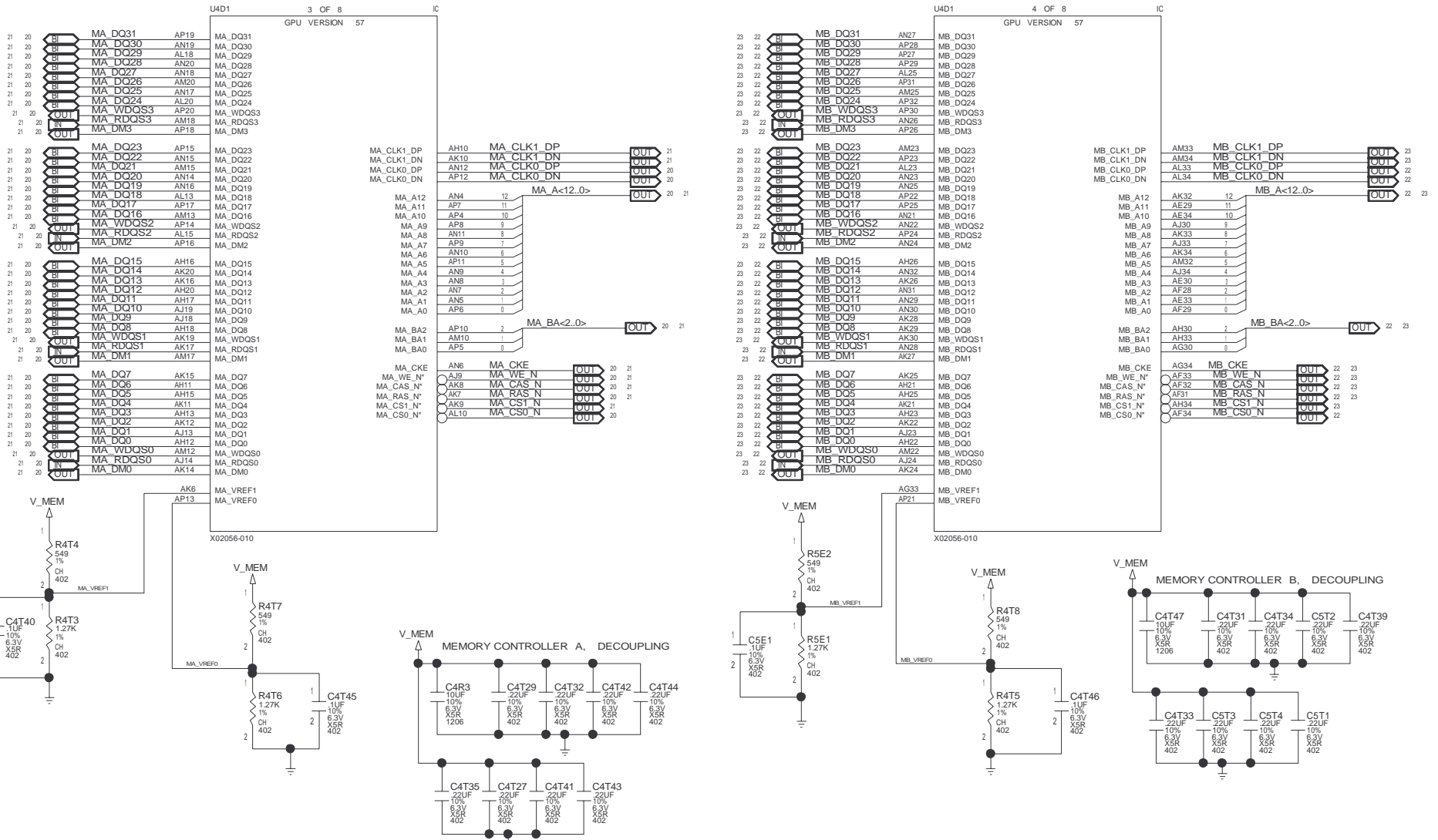
DRAWING  
XENON\_FABK  
Wed Aug 24 09:27:05 2005

MICROSOFT CONFIDENTIAL	PROJECT_NAME XENON_RETAIL	PAGE 11/73	REV K7
---------------------------	------------------------------	---------------	-----------





# GPU, MEMORYCONTROLLER 0 PARTITION A & B

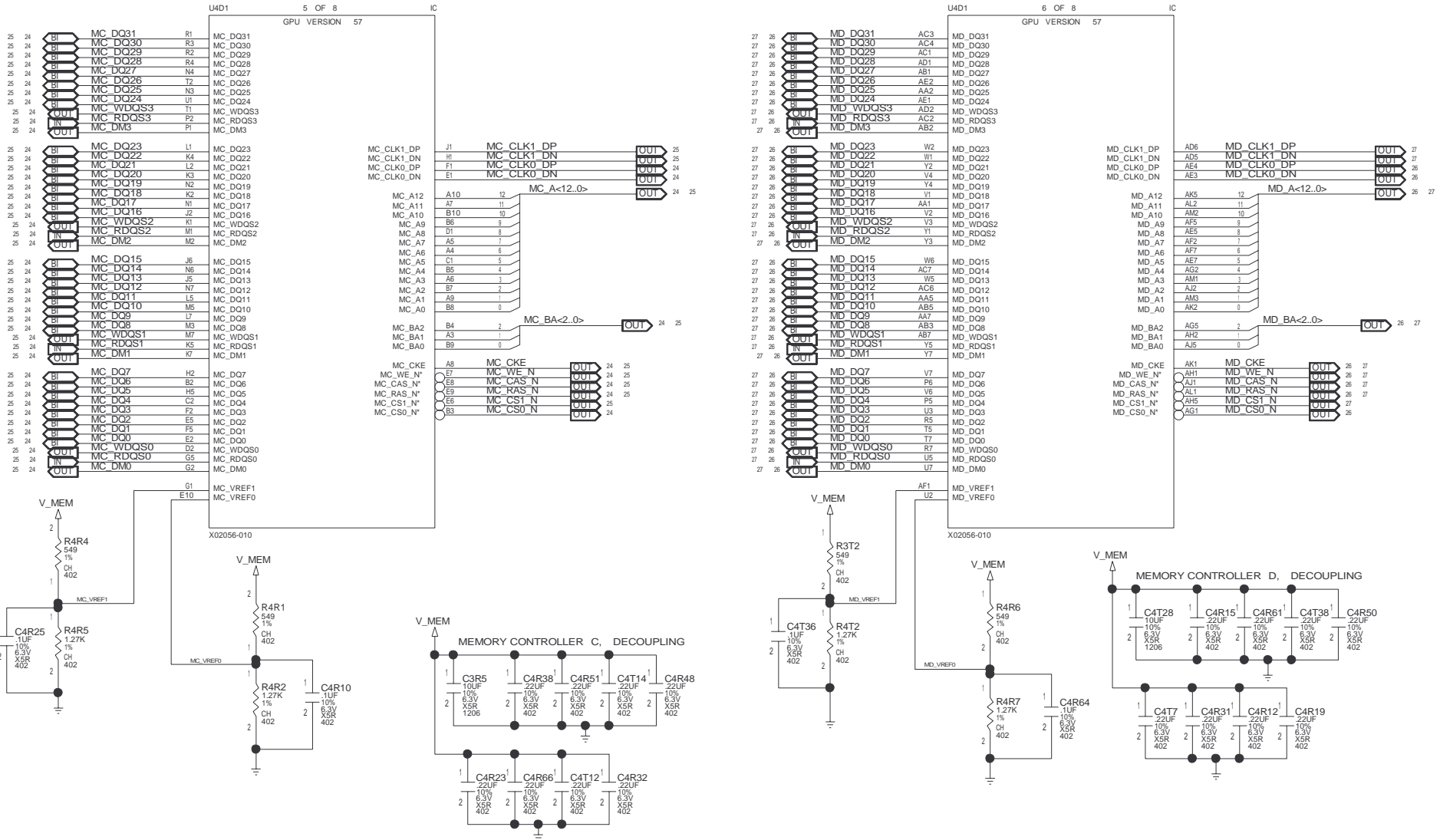


[PAGE\_TITLE=GPU, MEMORY CONTROLLER A + B]

DRAWING  
XENON\_FABK  
Wed Aug 24 09:27:08 2005

MICROSOFT CONFIDENTIAL	PROJECT NAME XENON_RETAIL	PAGE 14/73	REV K7
---------------------------	------------------------------	---------------	-----------

# GPU, MEMORY CONTROLLER 1 PARTITION C & D

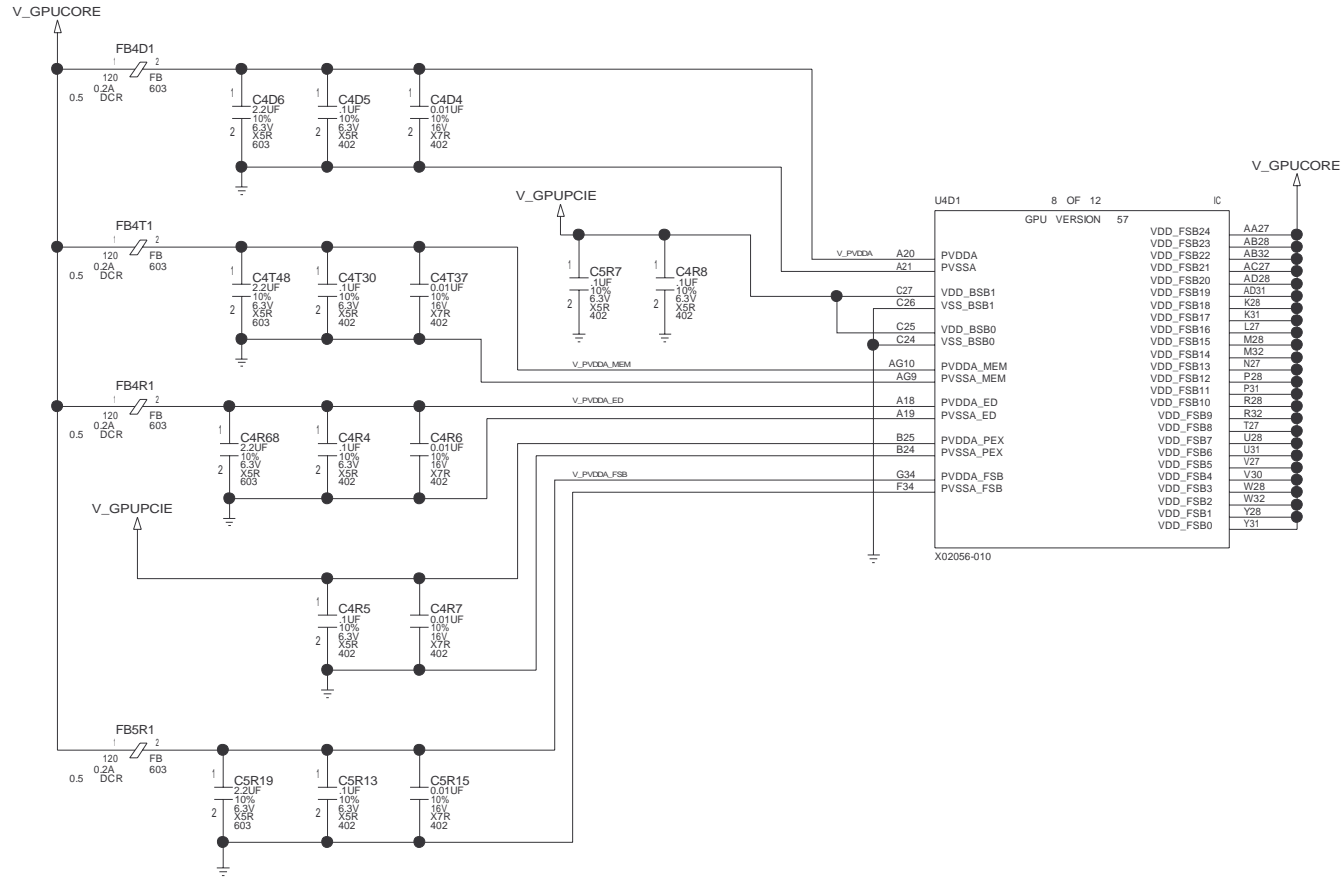


PAGE\_TITLE=[GPU, MEMORY CONTROLLER C + D]

DRAWING  
XENON\_FABK  
Wed Aug 24 09:27:10 2005

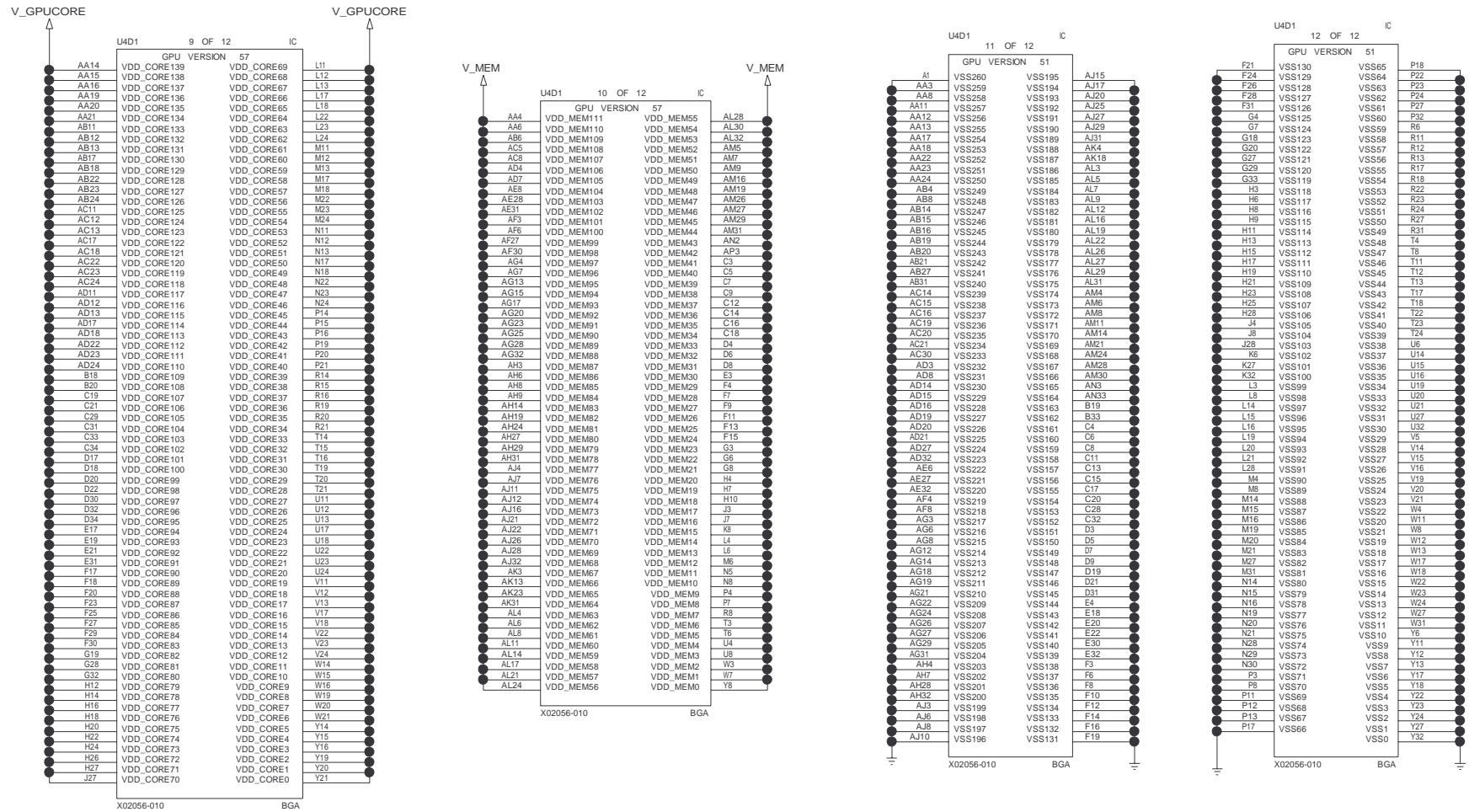
MICROSOFT CONFIDENTIAL	PROJECT NAME XENON_RETAIL	PAGE 15/73	REV K7
---------------------------	------------------------------	---------------	-----------

# GPU, PLL POWER + FSB POWER

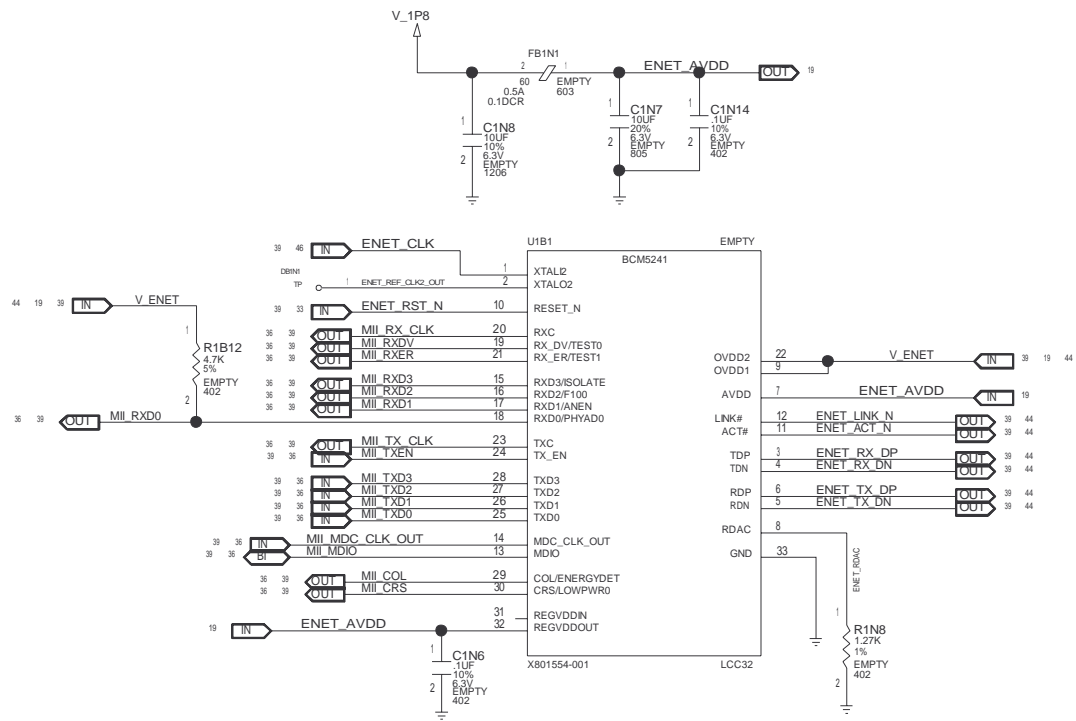




# GPU, CORE POWER + MEM POWER



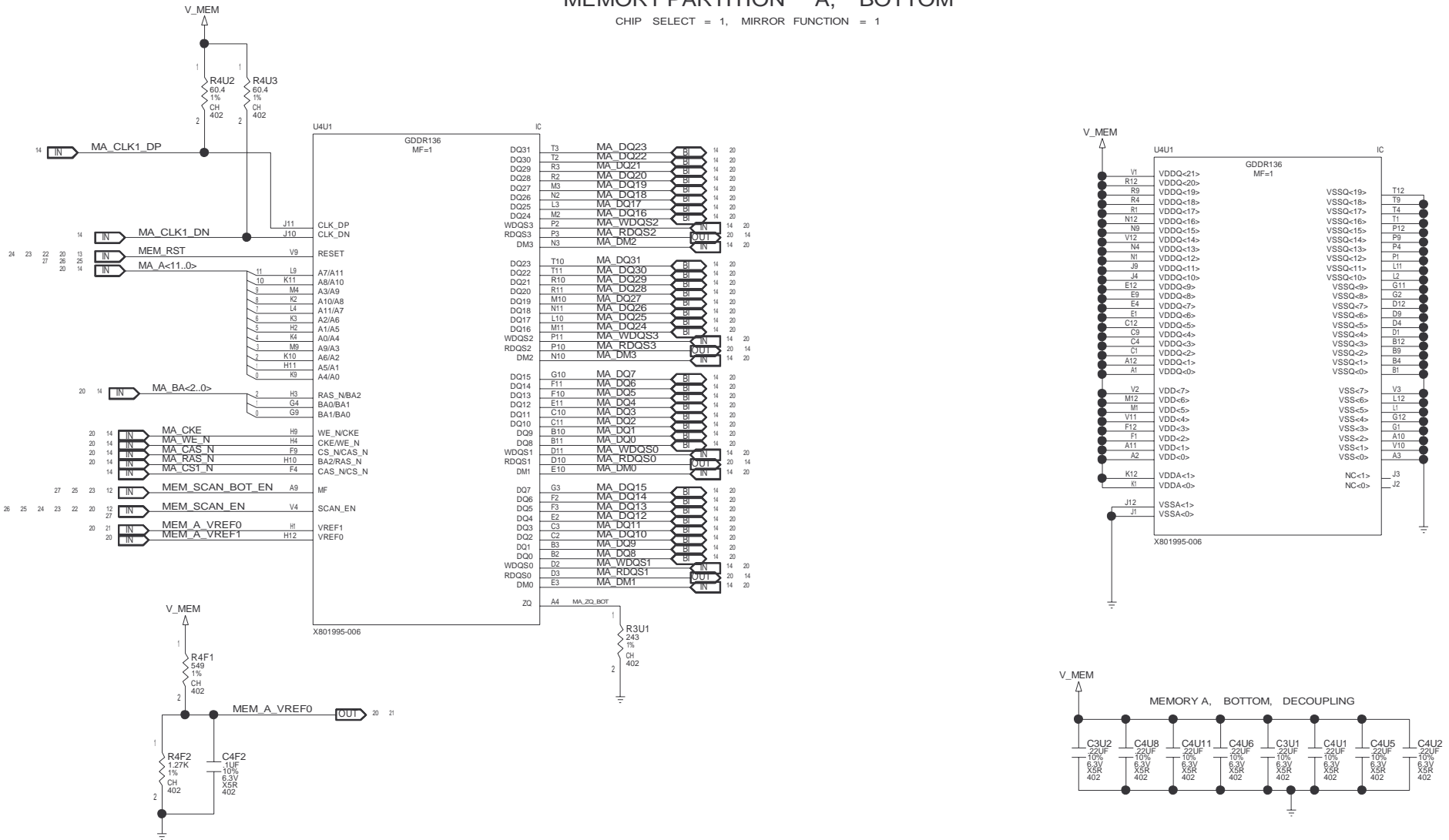






# MEMORY PARTITION A, BOTTOM

CHIP SELECT = 1, MIRROR FUNCTION = 1



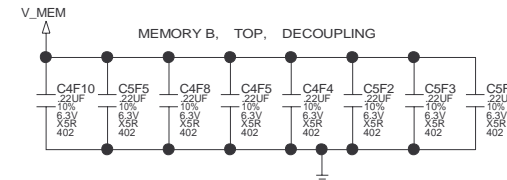
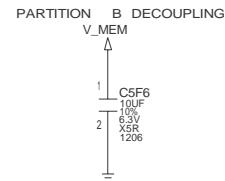
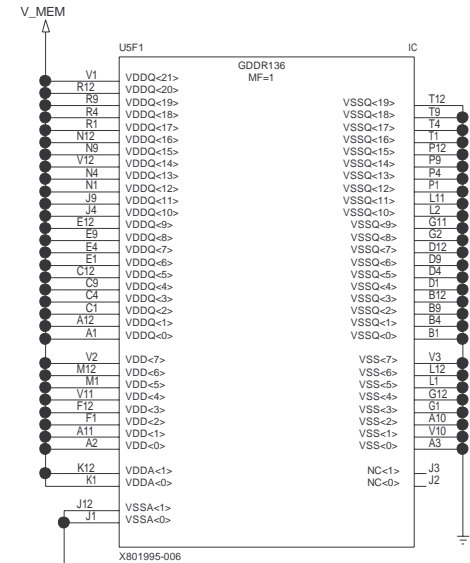
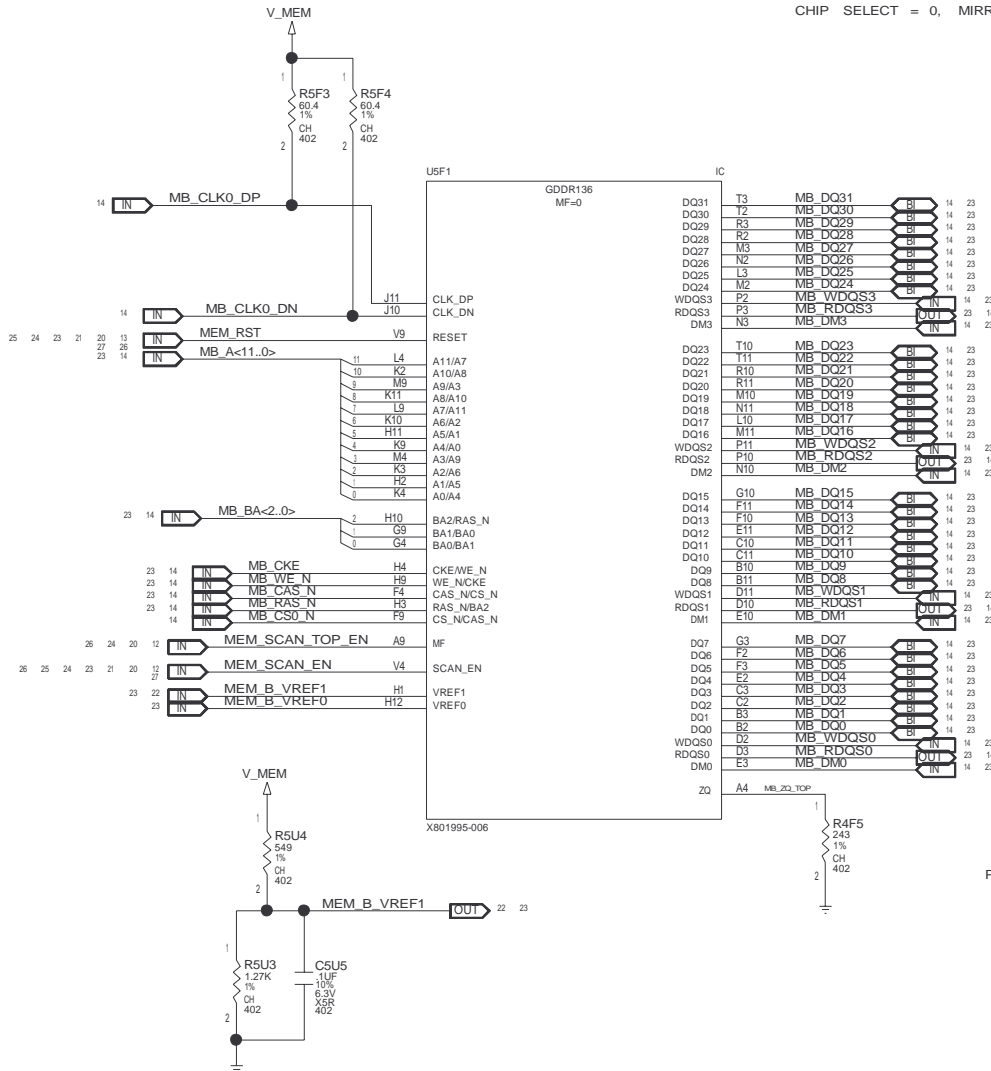
[PAGE\_TITLE=MEMORY PARTITION A, BOTTOM]

DRAWING  
XENON\_FABK  
Wed Aug 24 09:27:14 2005

MICROSOFT CONFIDENTIAL	PROJECT NAME XENON_RETAIL	PAGE 21/73	REV K7
---------------------------	------------------------------	---------------	-----------

# MEMORY PARTITION B, TOP

CHIP SELECT = 0, MIRROR FUNCTION = 0



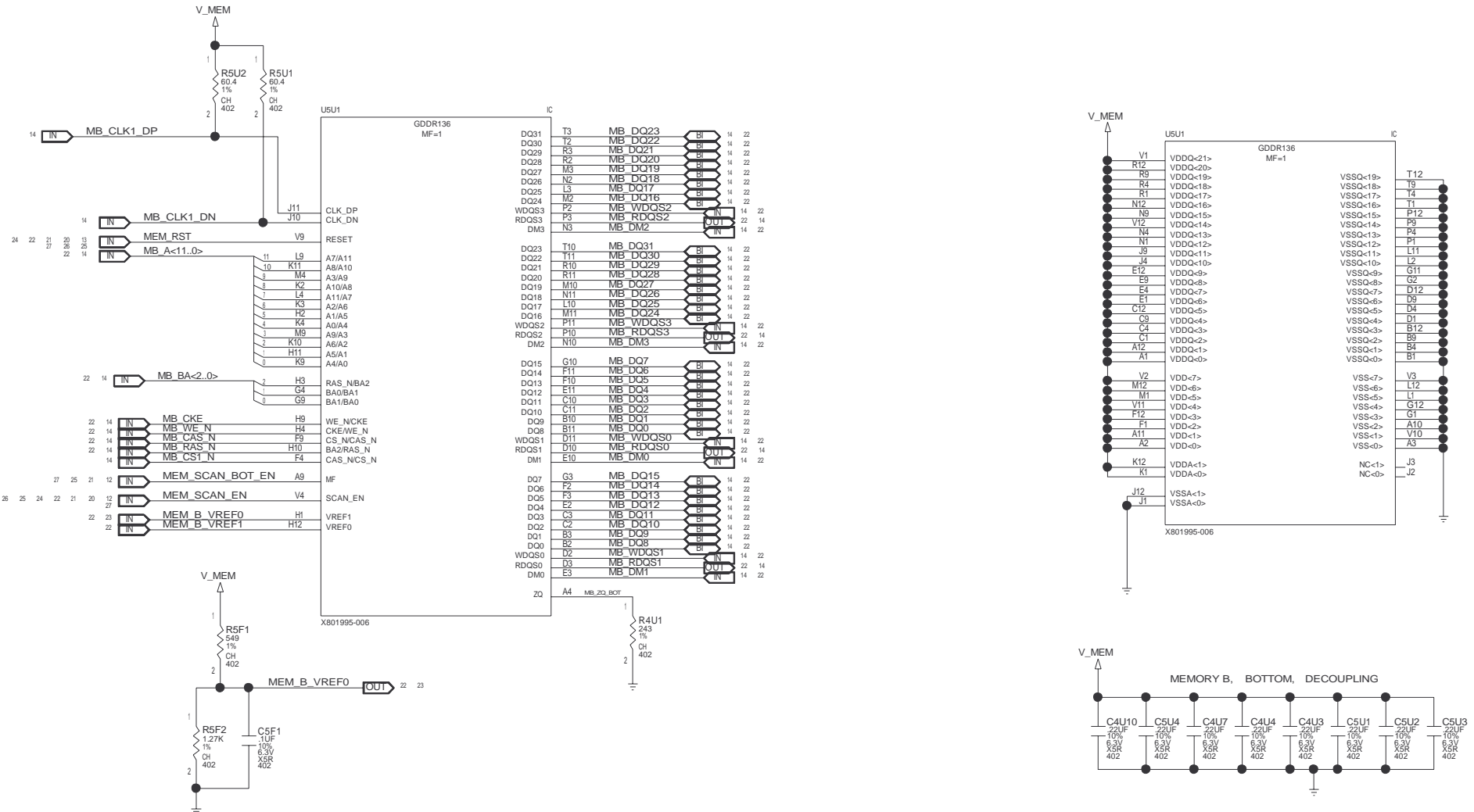
[PAGE\_TITLE=MEMORY PARTITION B, TOP]

DRAWING  
XENON\_FABK  
Wed Aug 24 09:27:14 2005

MICROSOFT CONFIDENTIAL	PROJECT NAME XENON_RETAIL	PAGE 22/73	REV K7
---------------------------	------------------------------	---------------	-----------

# MEMORY PARTITION B, BOTTOM

CHIP SELECT = 1, MIRROR FUNCTION = 1



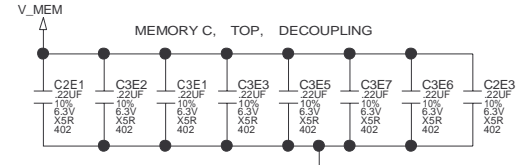
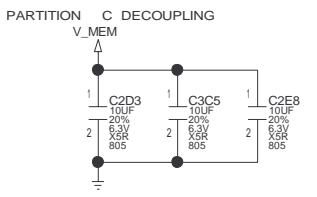
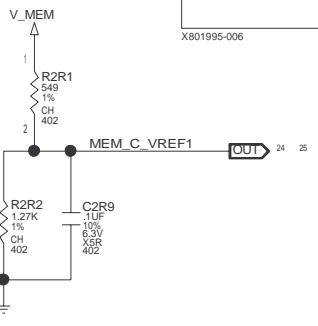
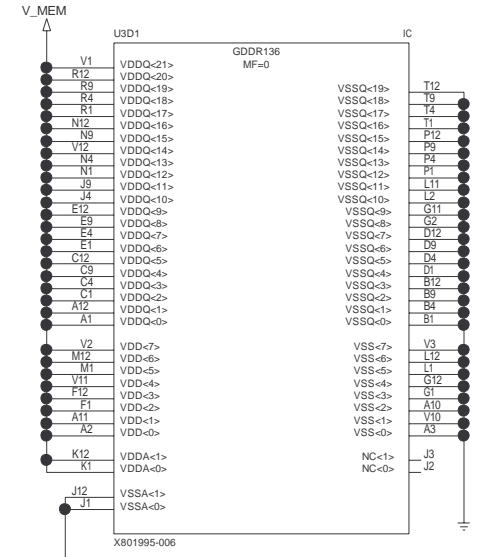
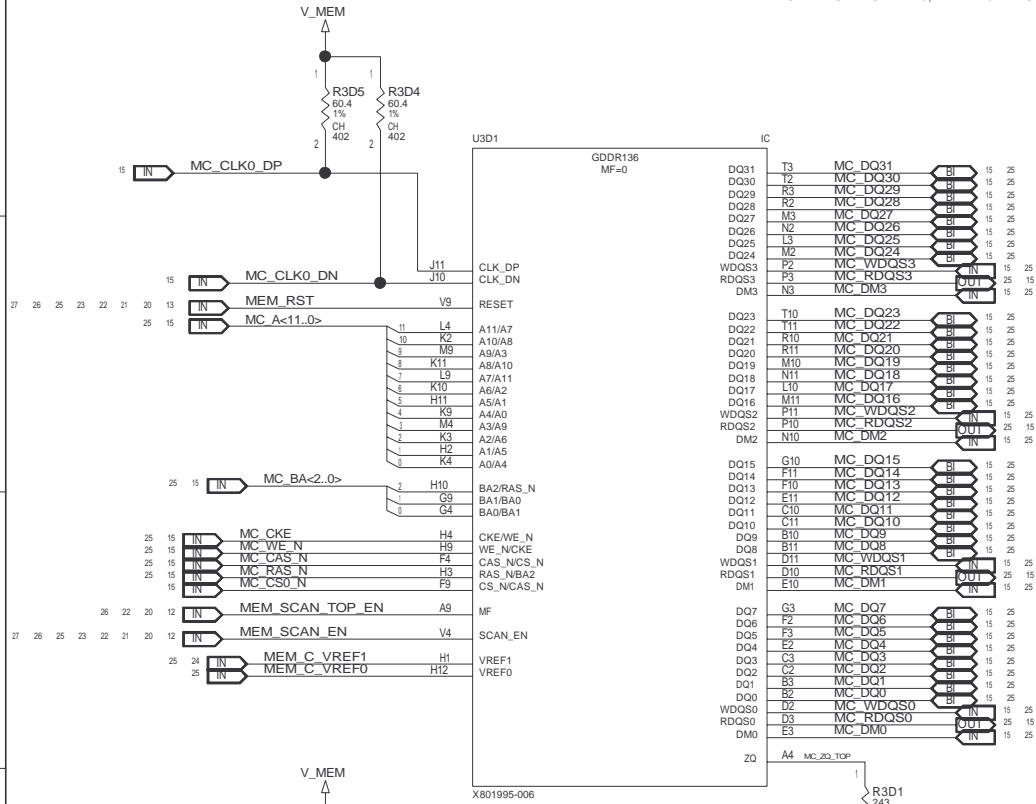
[PAGE\_TITLE=MEMORY PARTITION B, BOTTOM]

DRAWING  
XENON\_FABK  
Wed Aug 24 09:27:15 2005

MICROSOFT CONFIDENTIAL	PROJECT NAME XENON_RETAIL	PAGE 23/73	REV K7
---------------------------	------------------------------	---------------	-----------

# MEMORY PARTITION C, TOP

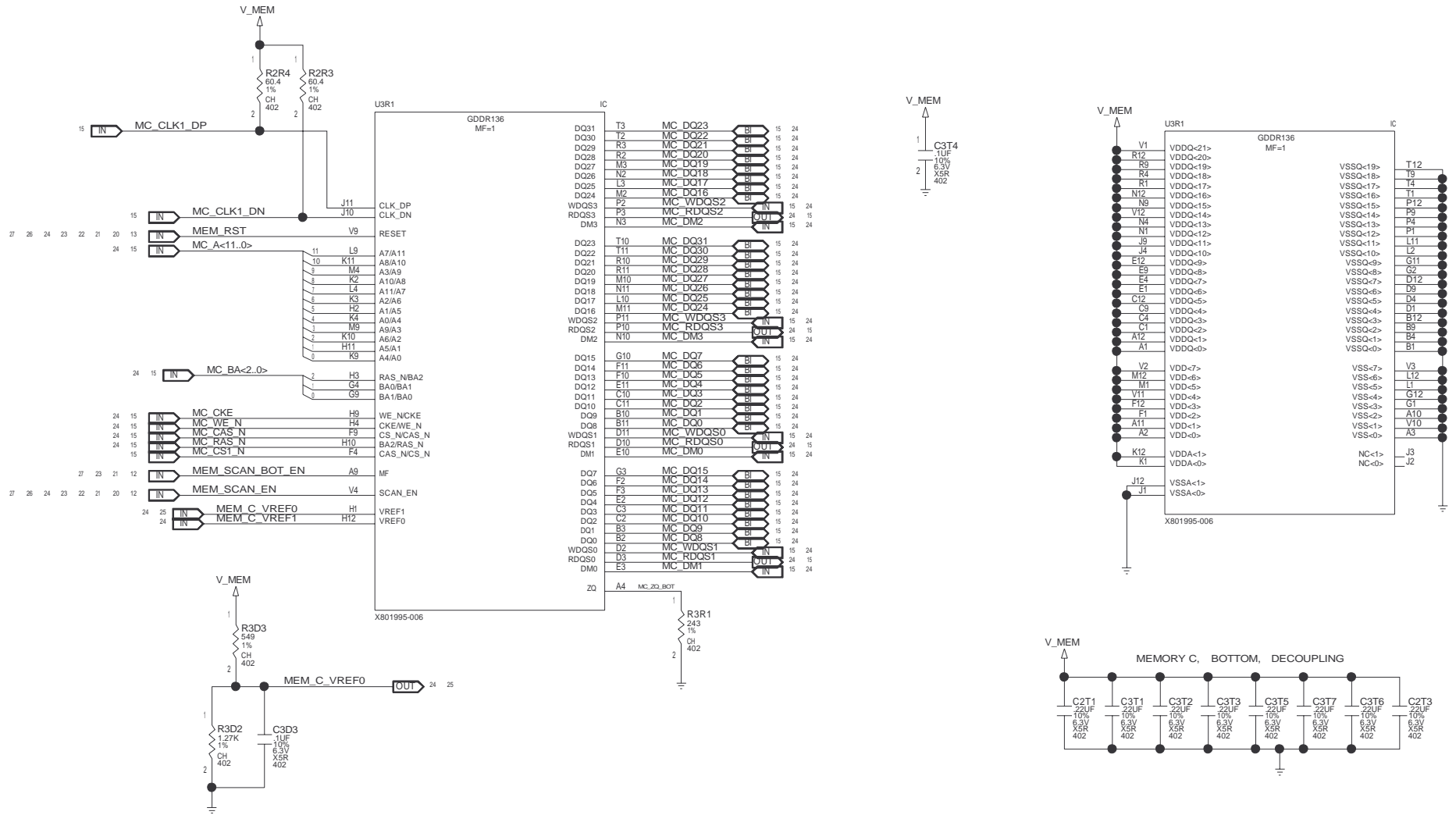
CHIP SELECT = 0, MIRROR FUNCTION = 0





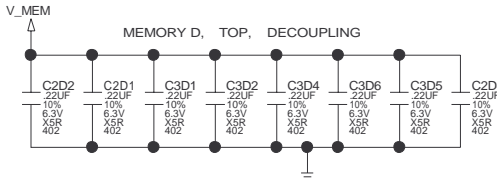
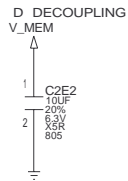
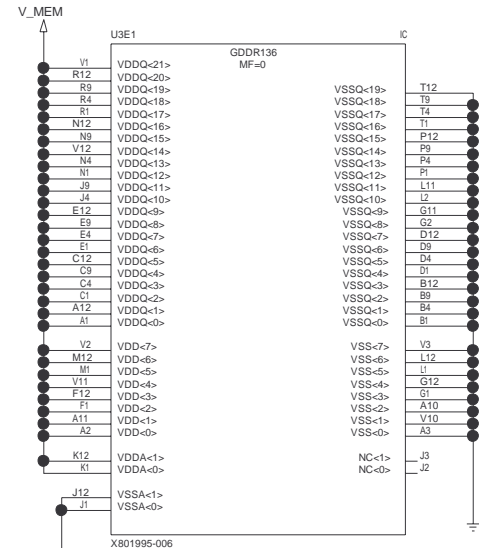
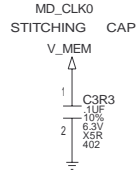
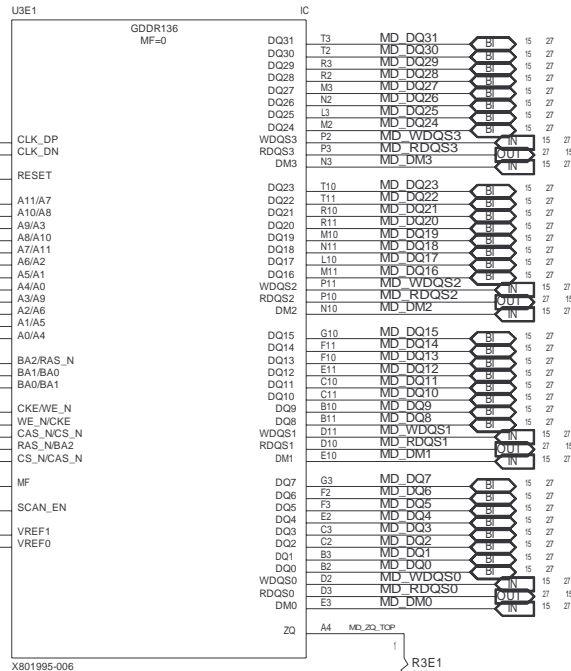
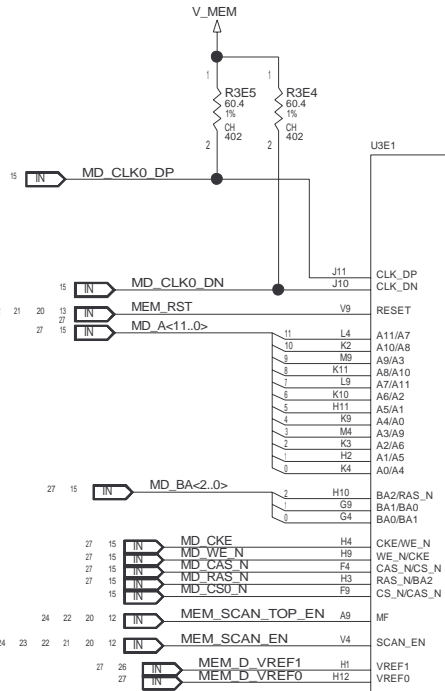
# MEMORY PARTITION C, BOTTOM

CHIP SELECT = 1, MIRROR FUNCTION = 1



# MEMORY PARTITION D, TOP

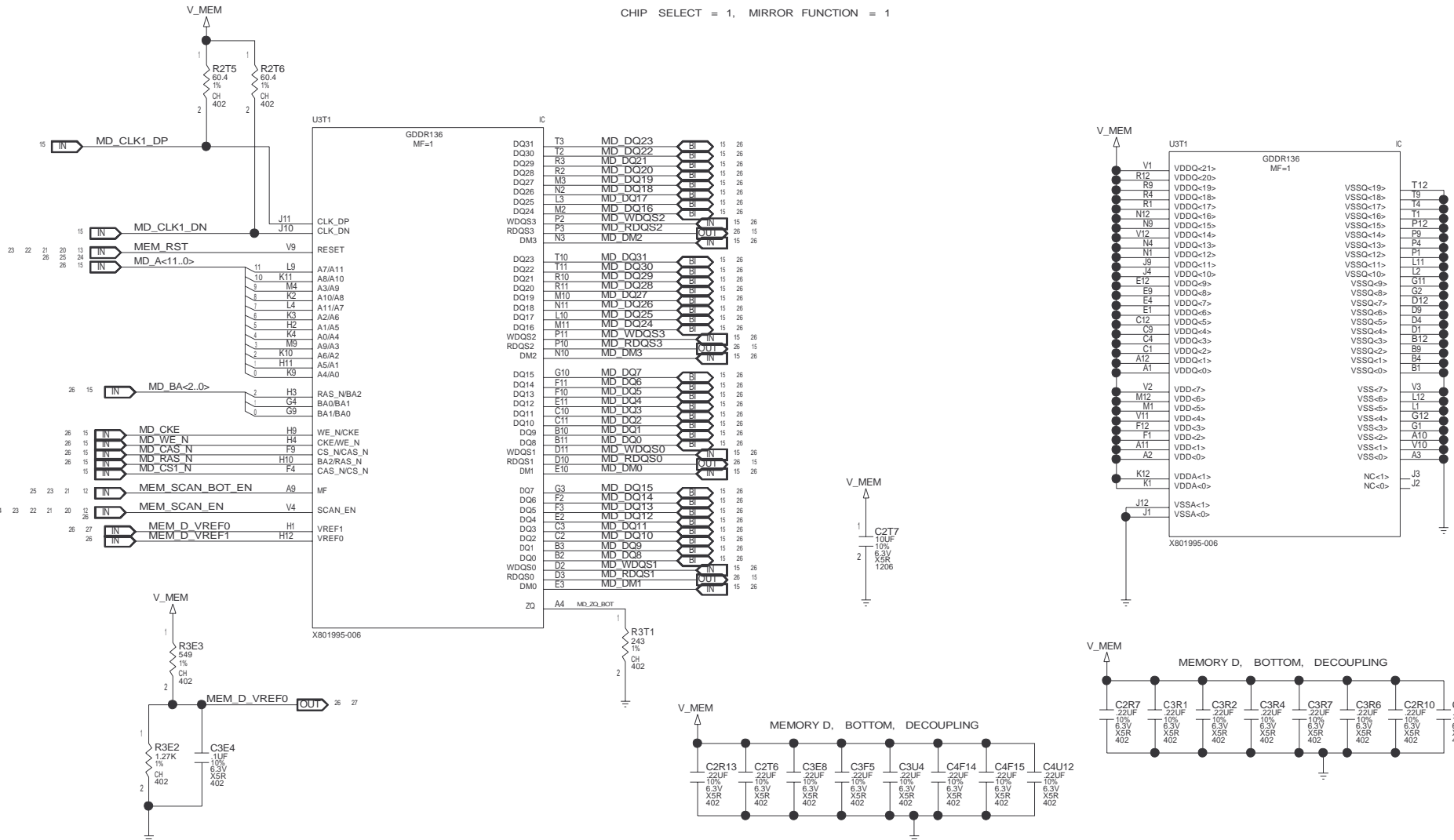
CHIP SELECT = 0, MIRROR FUNCTION = 0



[PAGE\_TITLE=MEMORY PARTITION D, TOP]

# MEMORY PARTITION D, BOTTOM

CHIP SELECT = 1, MIRROR FUNCTION = 1

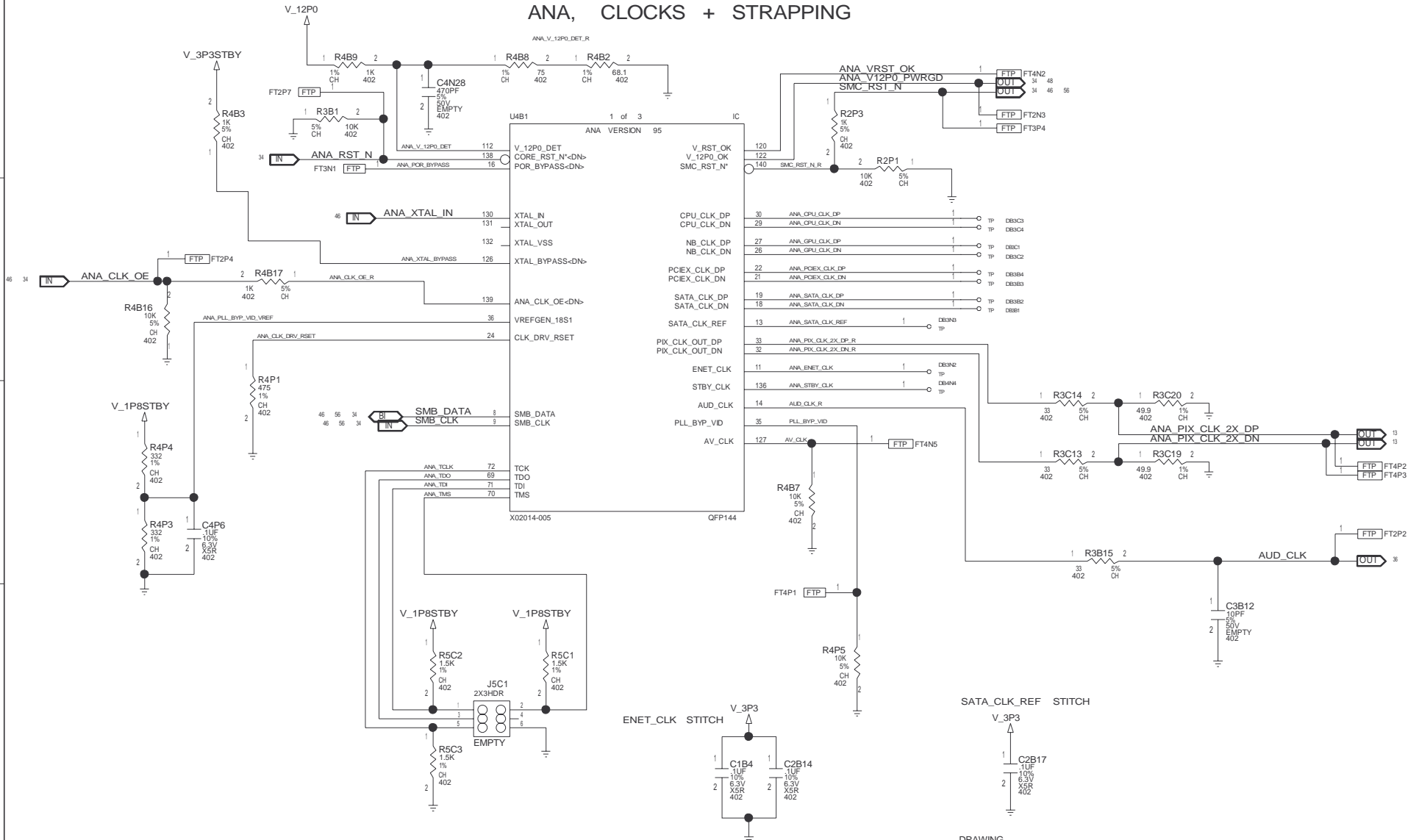


[PAGE\_TITLE=MEMORY PARTITION D, BOTTOM]

DRAWING  
XENON\_FABK  
Wed Aug 24 09:27:17 2005

MICROSOFT CONFIDENTIAL	PROJECT NAME XENON_RETAIL	PAGE 27/73	REV K7
---------------------------	------------------------------	---------------	-----------

# ANA, CLOCKS + STRAPPING



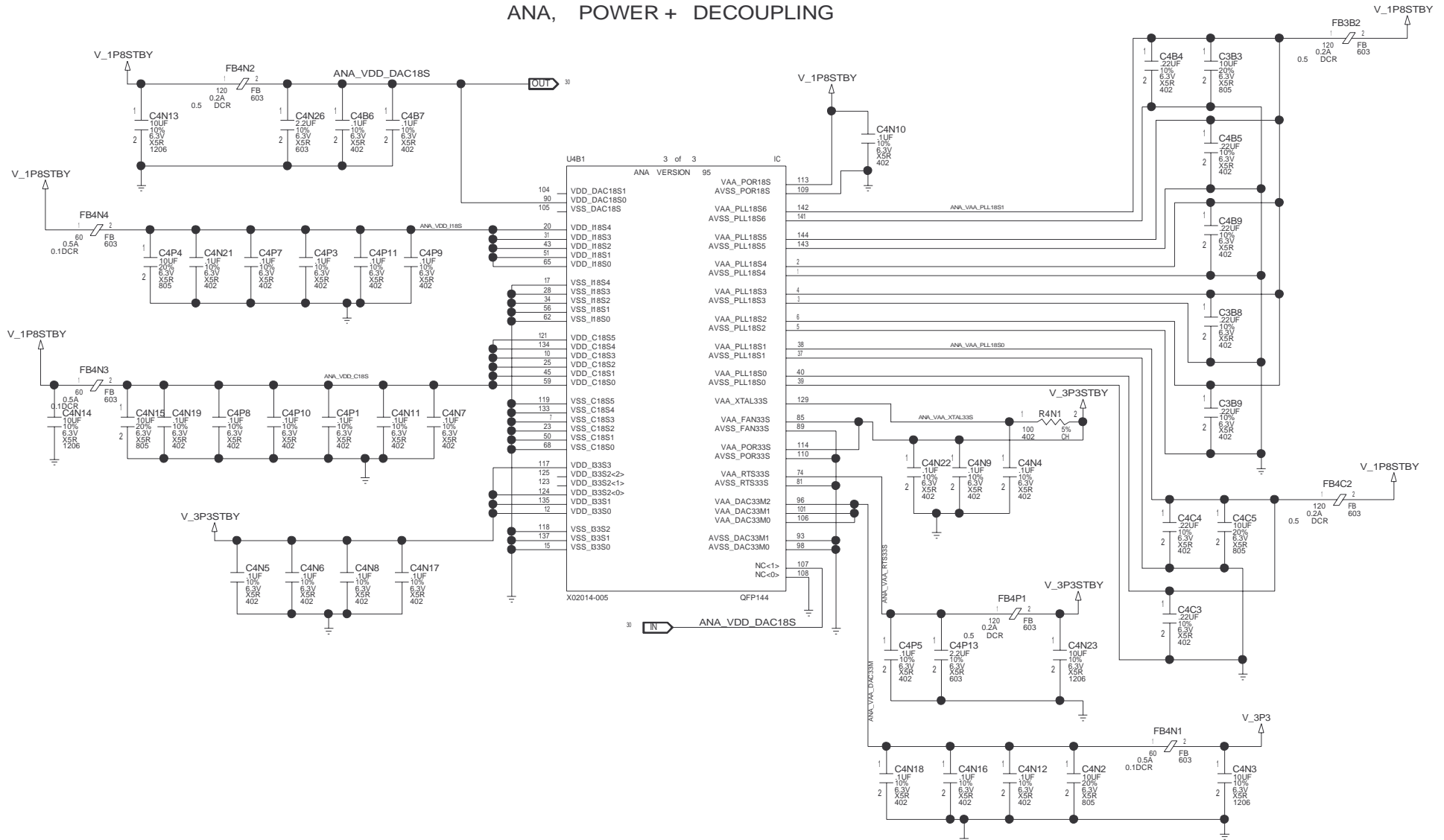
[PAGE\_TITLE=ANA, CLOCKS + STRAPPING

DRAWING  
XENON\_FABK  
Wed Aug 24 09:27:18 2005

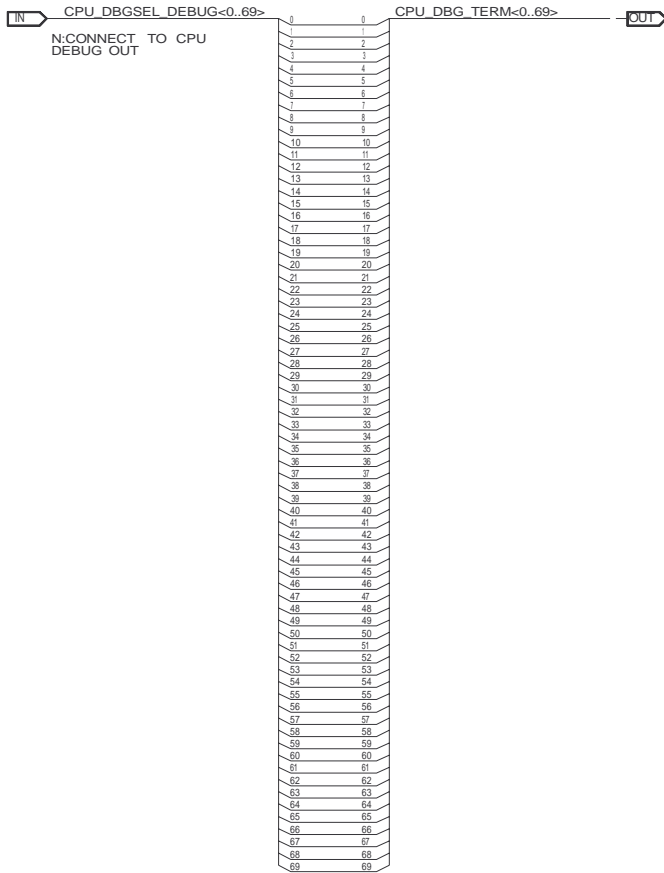
MICROSOFT CONFIDENTIAL	PROJECT_NAME XENON_RETAIL	PAGE 28/73	REV K7
---------------------------	------------------------------	---------------	-----------



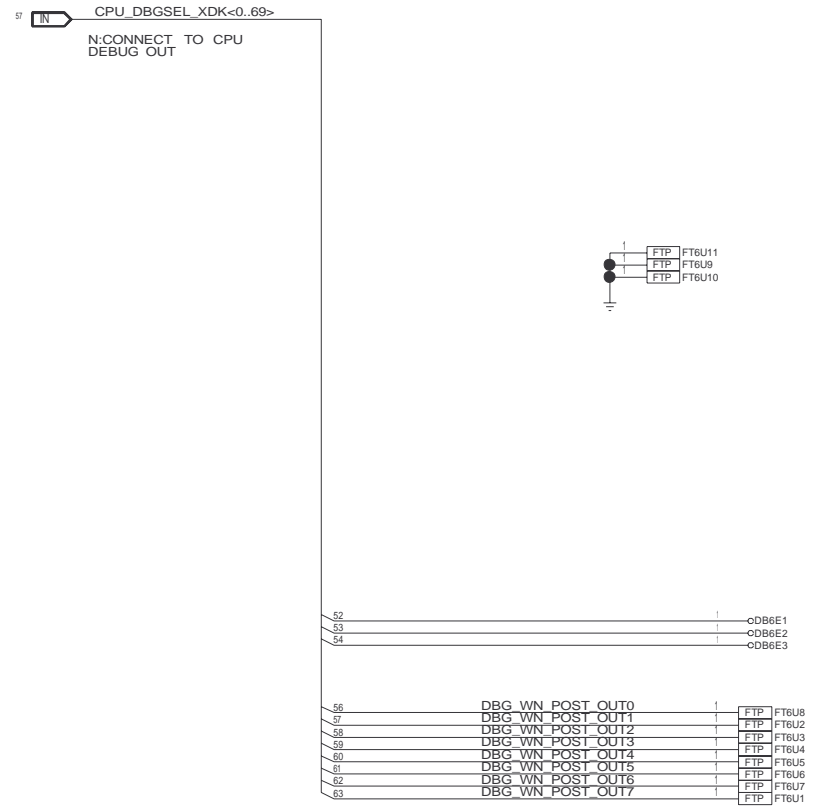
# ANA, POWER + DECOUPLING



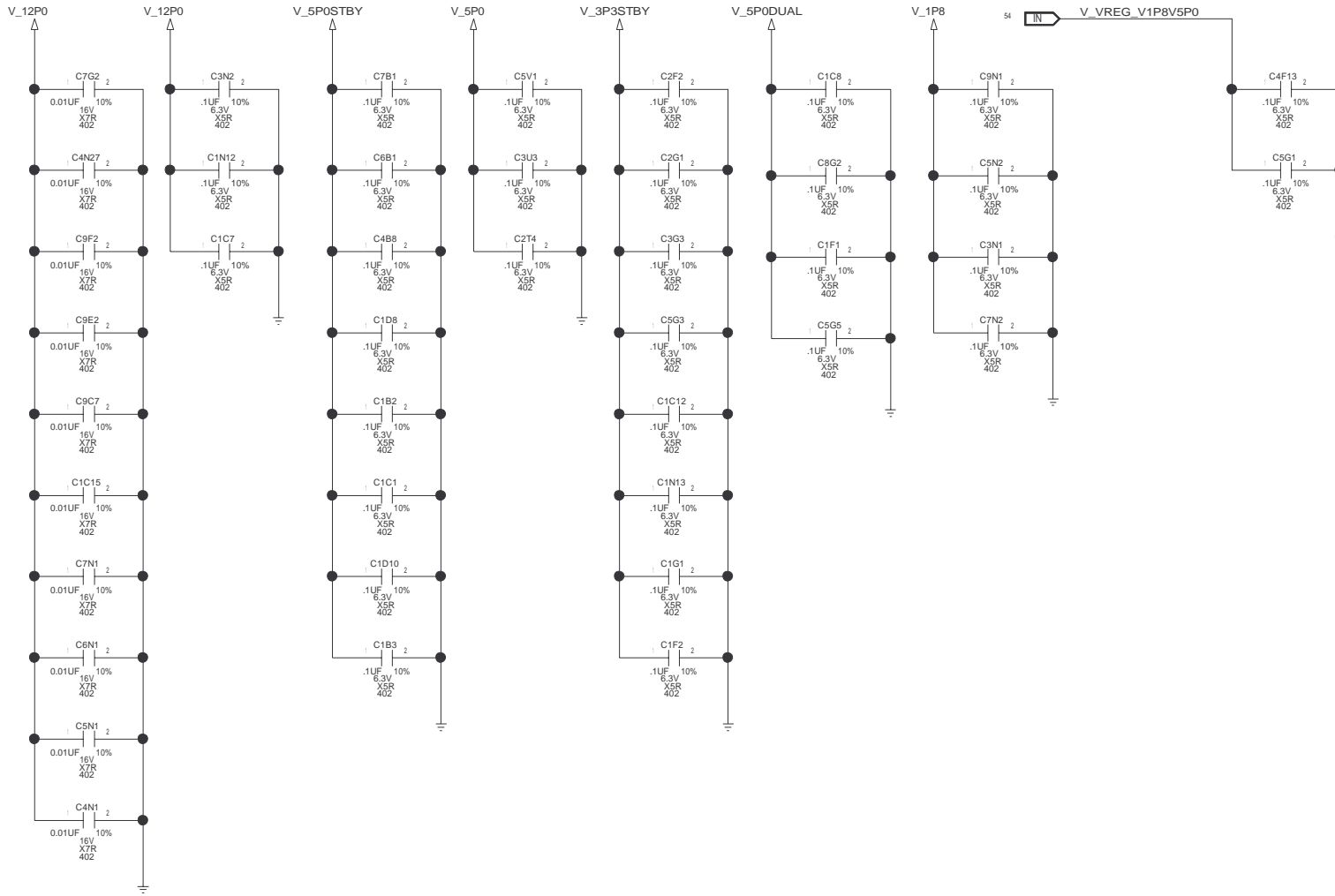
### DEBUG BOARD MAPPING



### XDK BOARD MAPPING



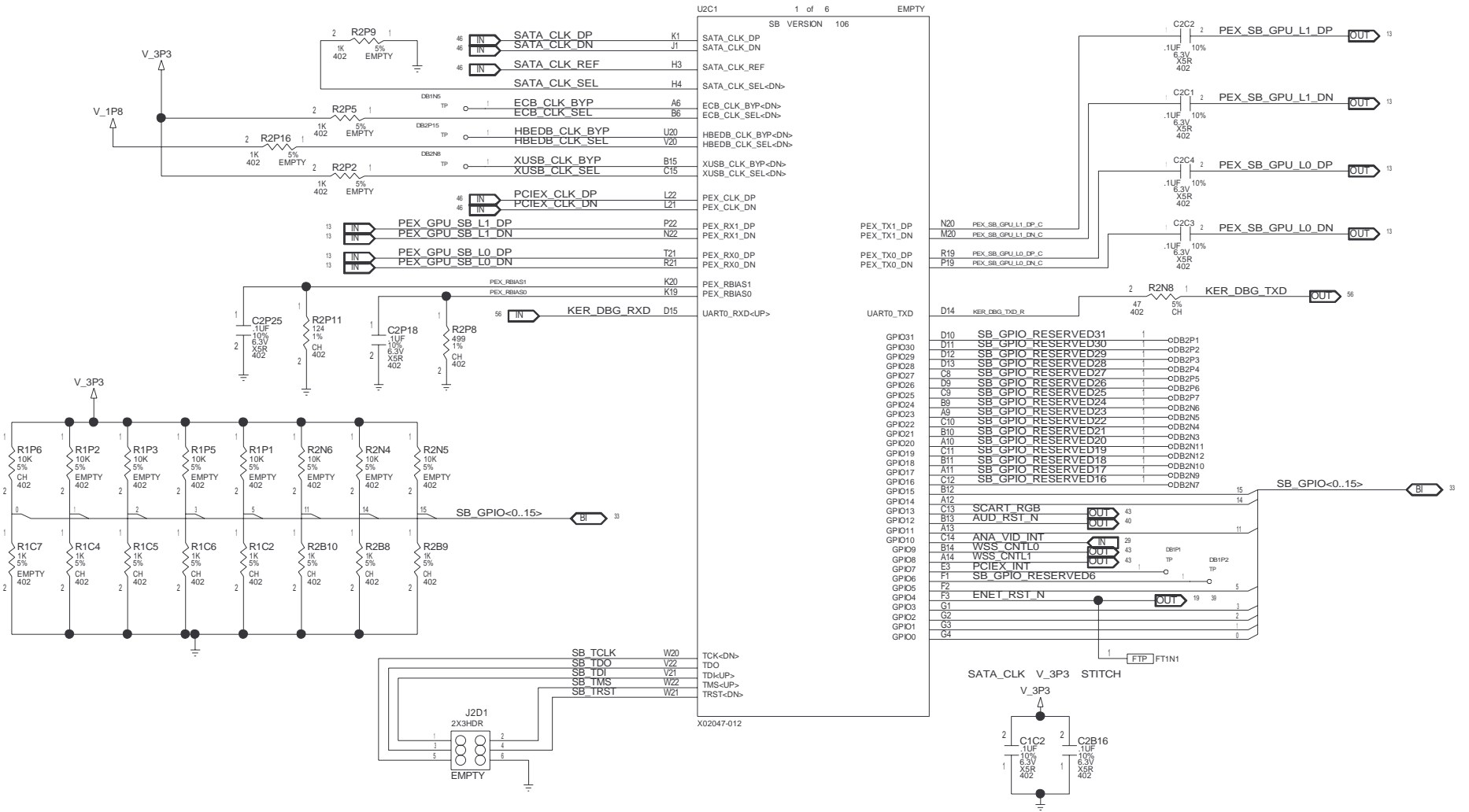
# POWER TRACE DECOUPLING





ADB:ADD CONFIG TABLE

### SB, PCIEX + SMM GPIO + JTAG]

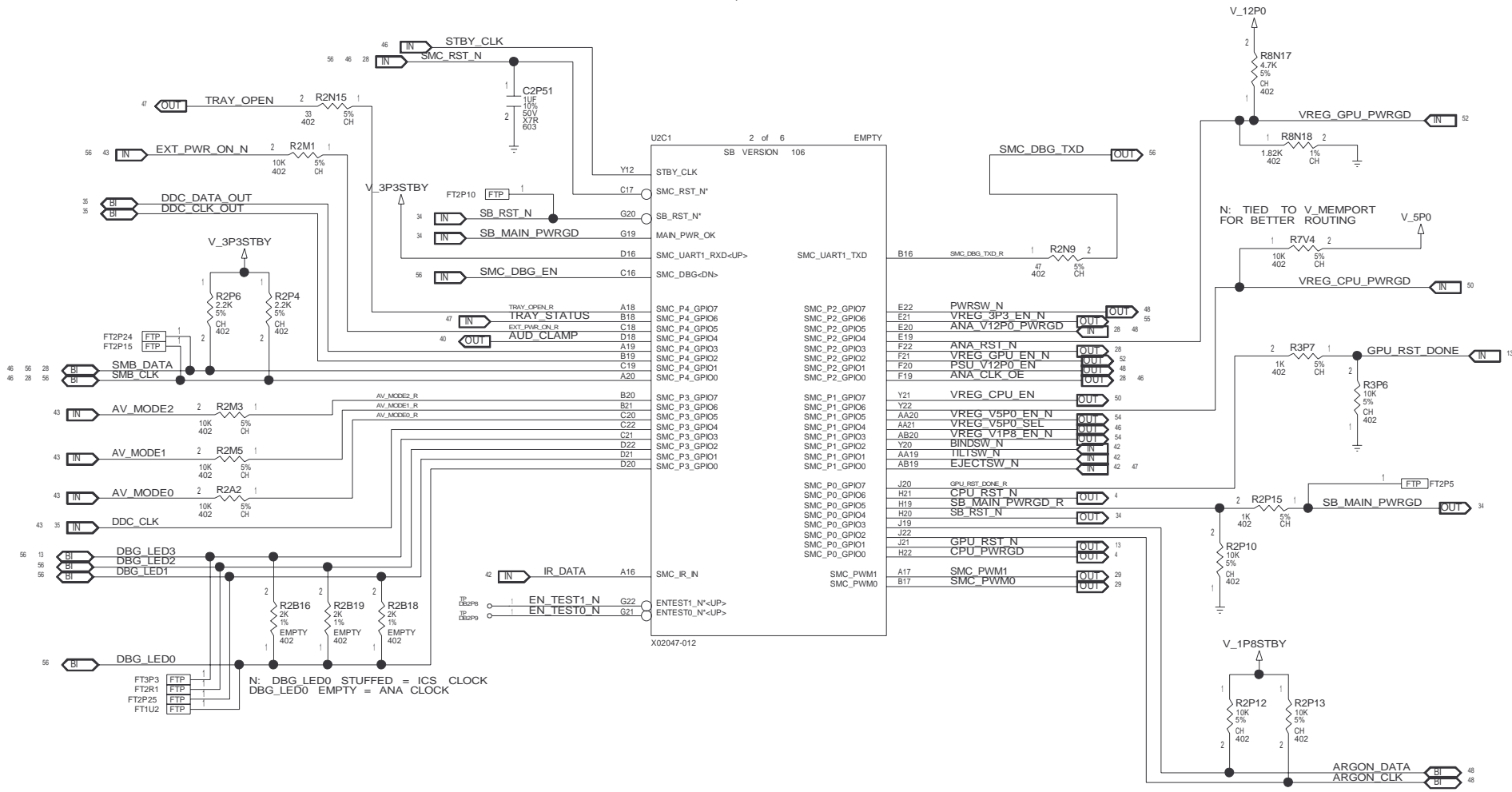


[PAGE\_TITLE=SB, PCIEX + SMM GPIO + JTAG]

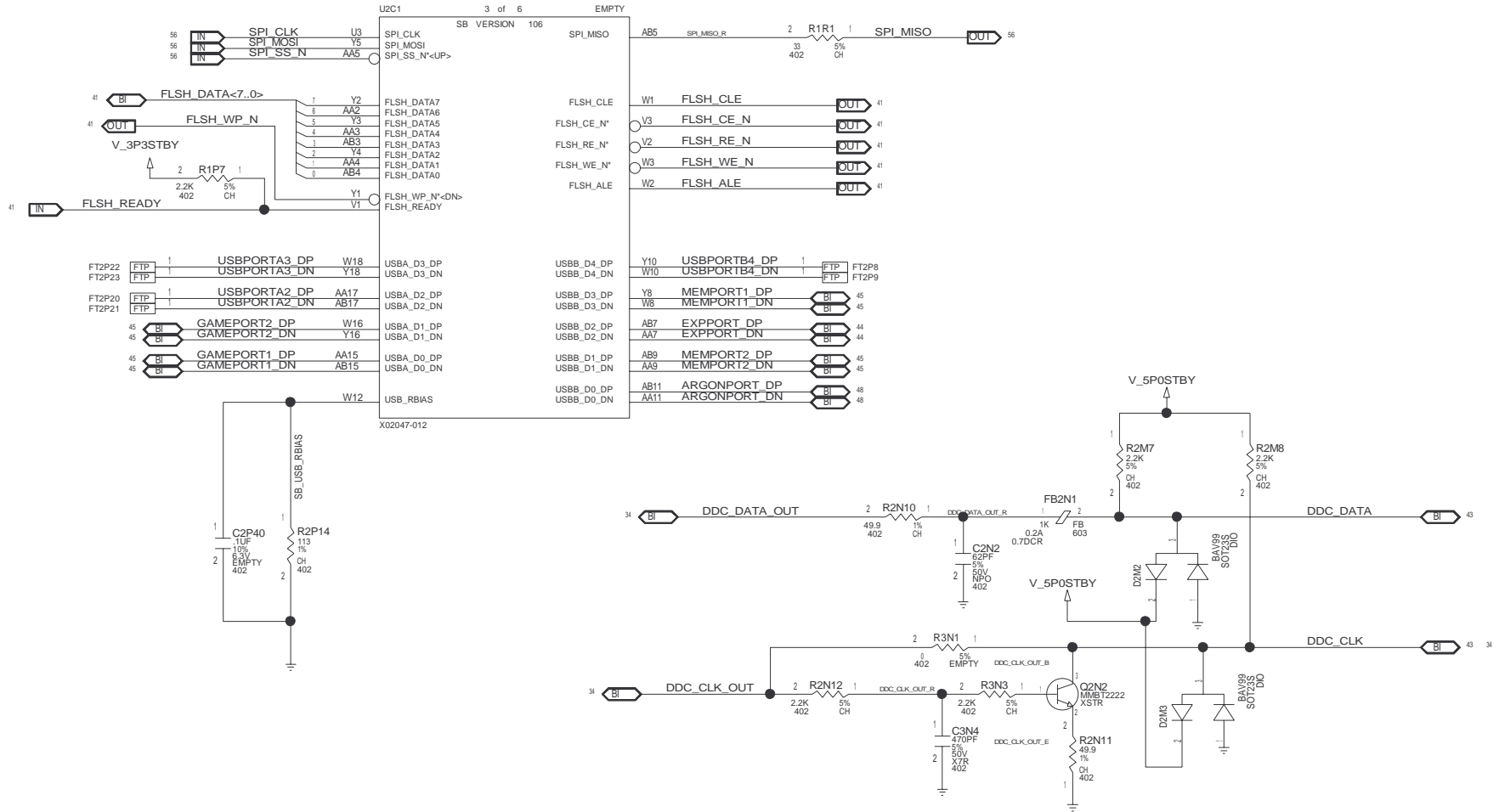
DRAWING  
XENON\_FABK  
Wed Aug 24 09:27:23 2005

MICROSOFT CONFIDENTIAL	PROJECT NAME XENON_RETAIL	PAGE 33/73	REV K7
---------------------------	------------------------------	---------------	-----------

# SB, SMC



# SB, FLASH + USB + SPI

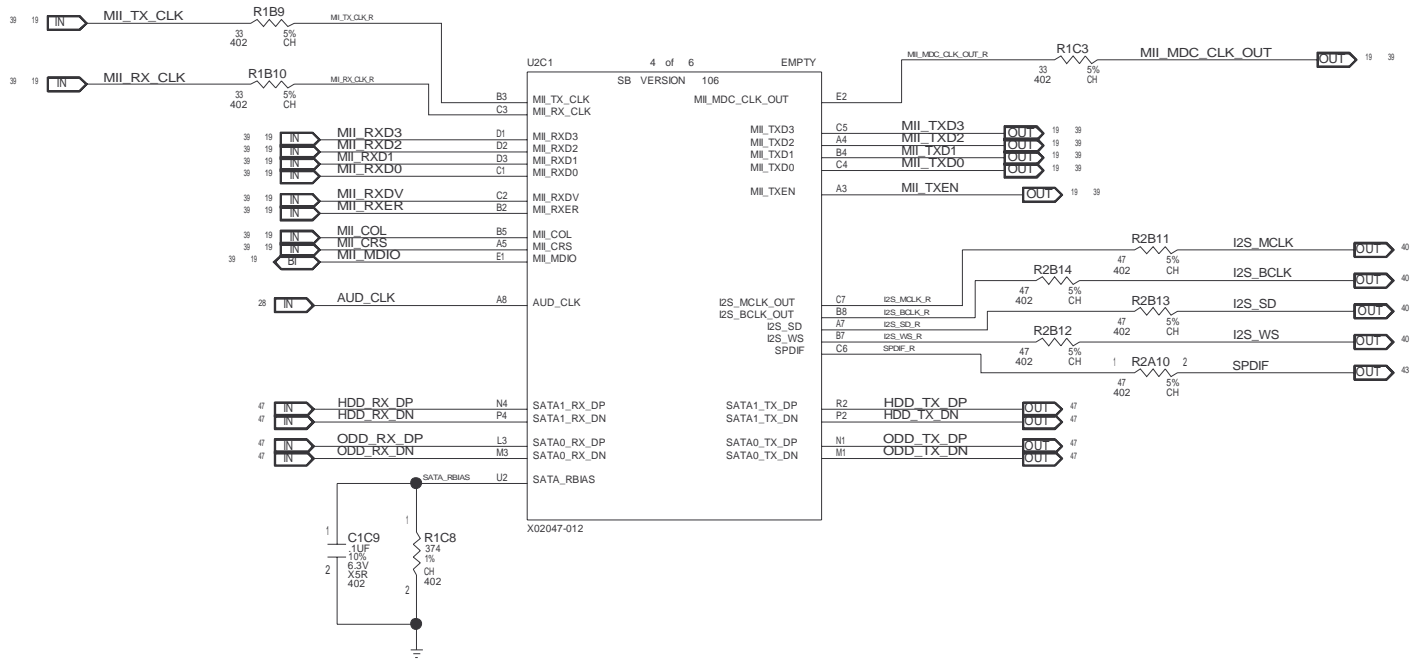


[PAGE\_TITLE=SB, FLASH + USB + SPI]

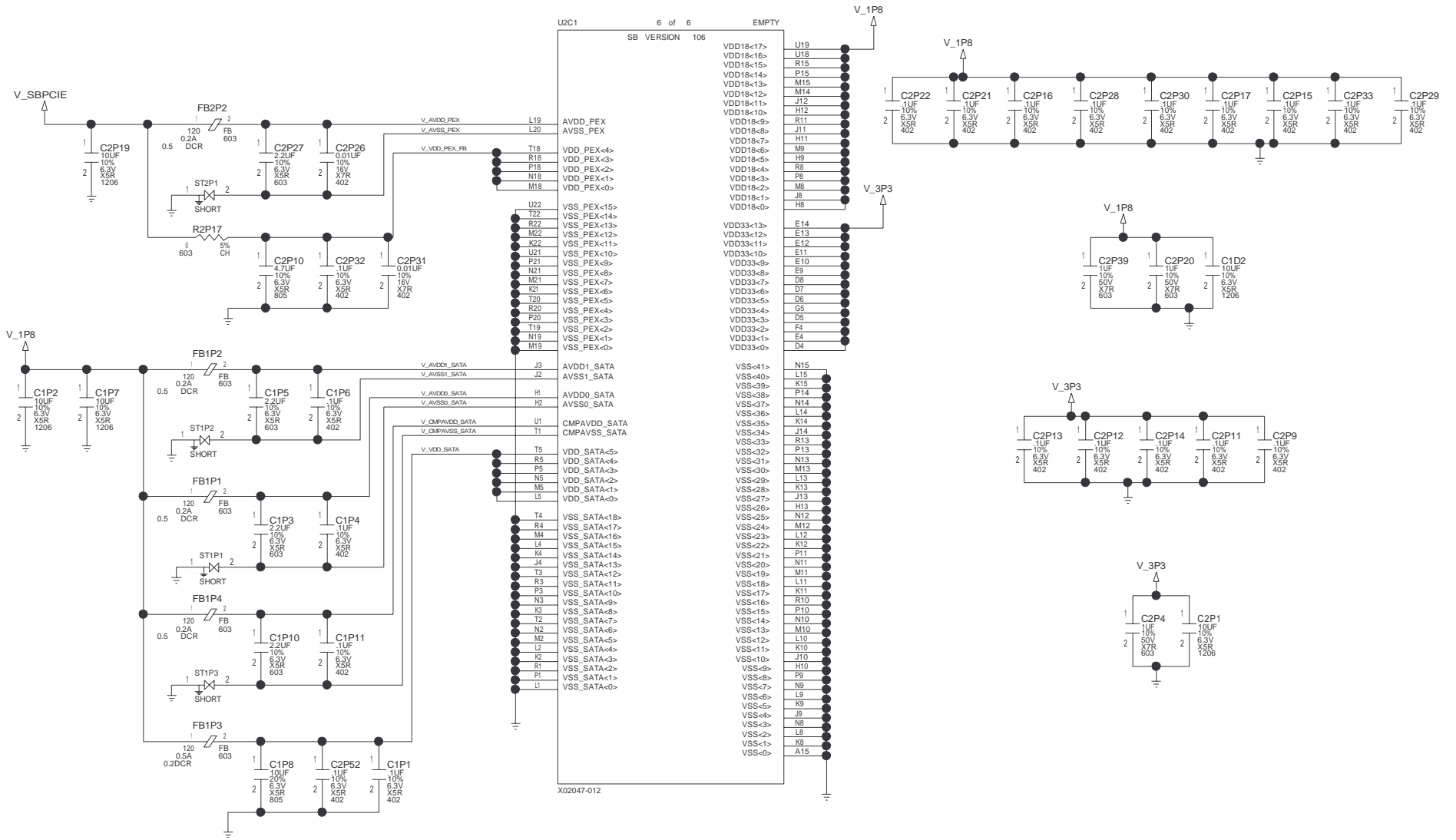
DRAWING  
XENON\_FABK  
Wed Aug 24 09:27:24 2005

MICROSOFT CONFIDENTIAL	PROJECT_NAME XENON_RETAIL	PAGE 35/73	REV K7
---------------------------	------------------------------	---------------	-----------

# SB, ETHERNET + AUDIO + SATA





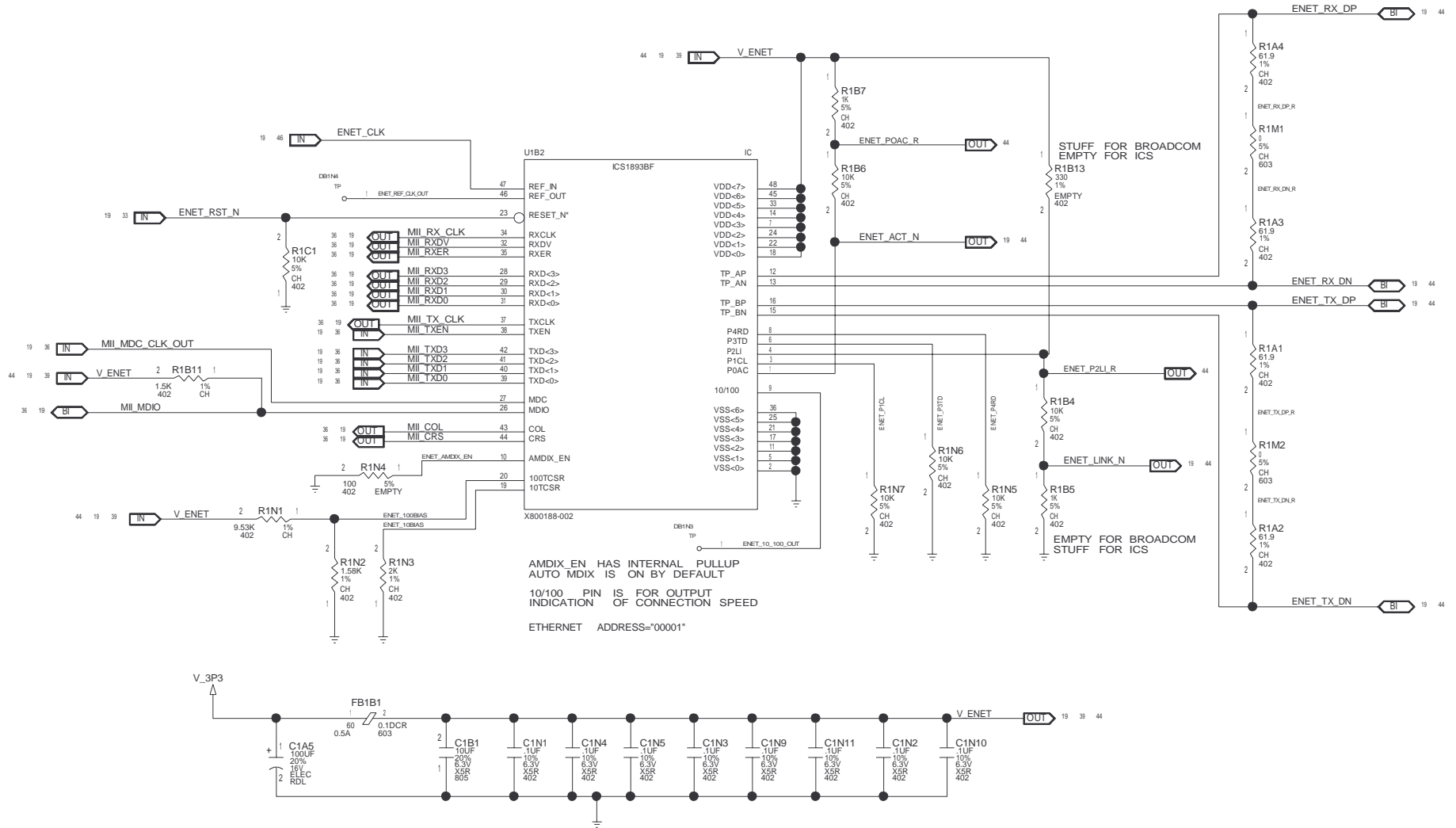


[PAGE\_TITLE=SB, MAIN POWER + DECOUPLING]

DRAWING  
XENON\_FABK  
Wed Aug 24 09:27:27 2005

MICROSOFT CONFIDENTIAL	PROJECT NAME XENON_RETAIL	PAGE 38/73	REV K7
---------------------------	------------------------------	---------------	-----------

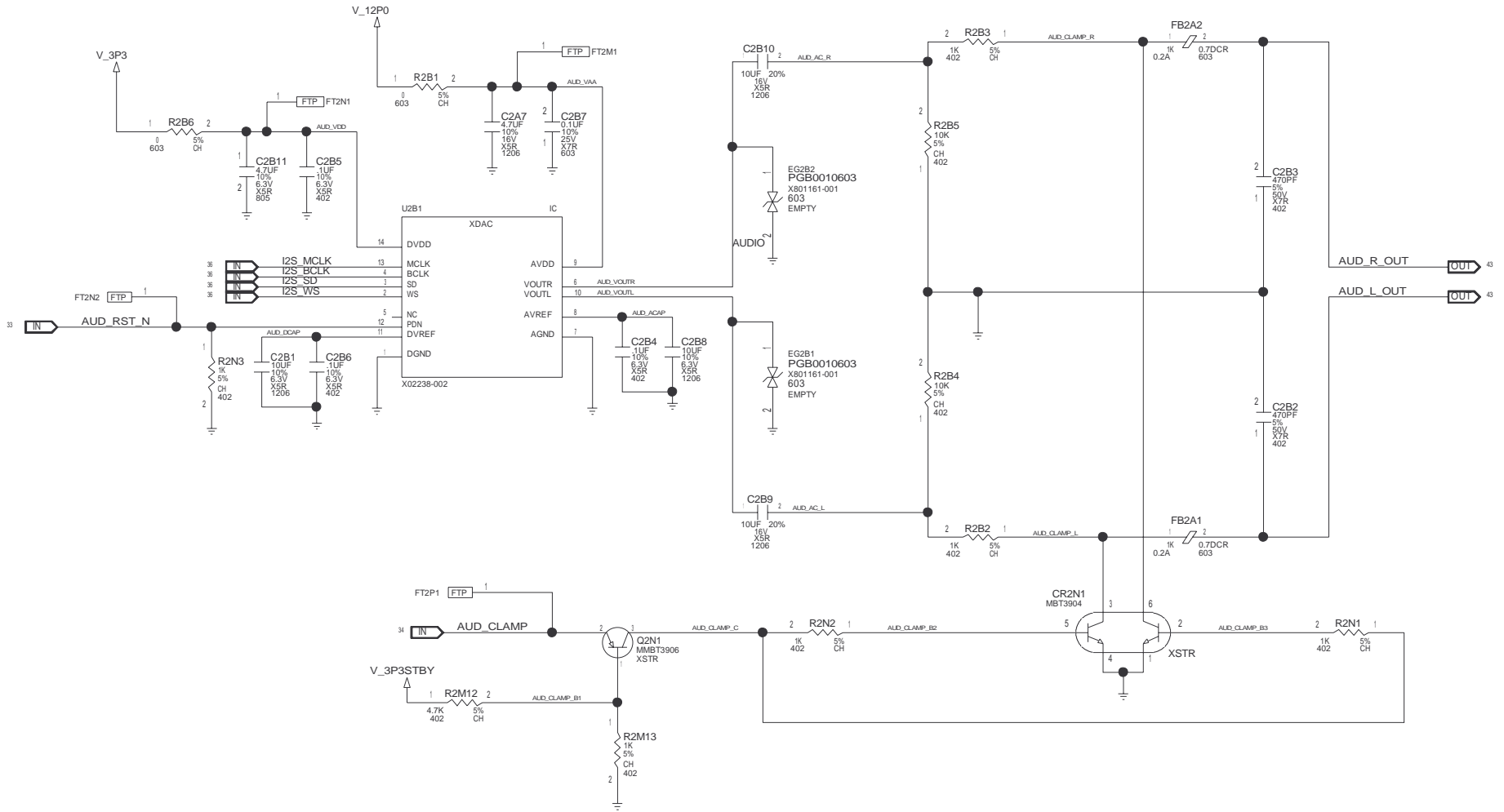
N: 123.8 OHM TERMINATION REQUIRED FOR ICS  
 N: 100 OHM TERMINATION REQUIRED FOR BROADCOM



AMDX\_EN HAS INTERNAL PULLUP  
 AUTO MDIX IS ON BY DEFAULT  
 10/100 PIN IS FOR OUTPUT  
 INDICATION OF CONNECTION SPEED  
 ETHERNET ADDRESS="00001"

STUFF FOR BROADCOM  
 EMPTY FOR ICS

EMPTY FOR BROADCOM  
 STUFF FOR ICS



[PAGE\_TITLE=SB OUT, AUDIO]

DRAWING  
 XENON\_FABK  
 Wed Aug 24 09:27:29 2005

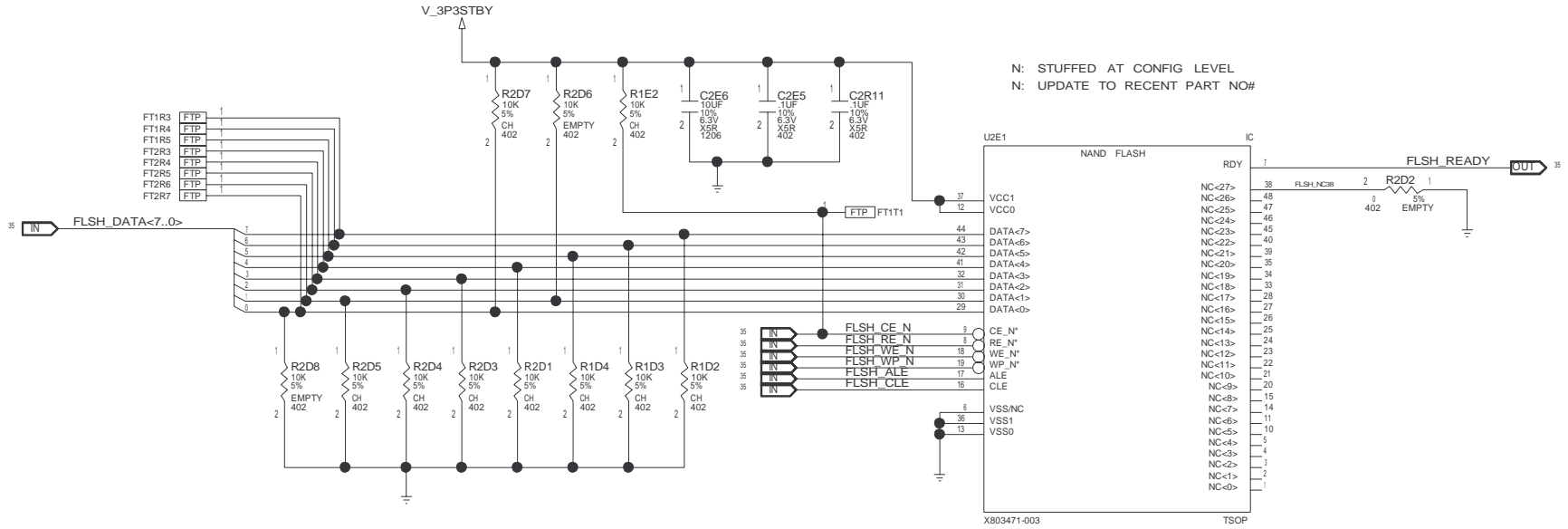
MICROSOFT CONFIDENTIAL	PROJECT_NAME XENON_RETAIL	PAGE 40/73	REV K7
---------------------------	------------------------------	---------------	-----------

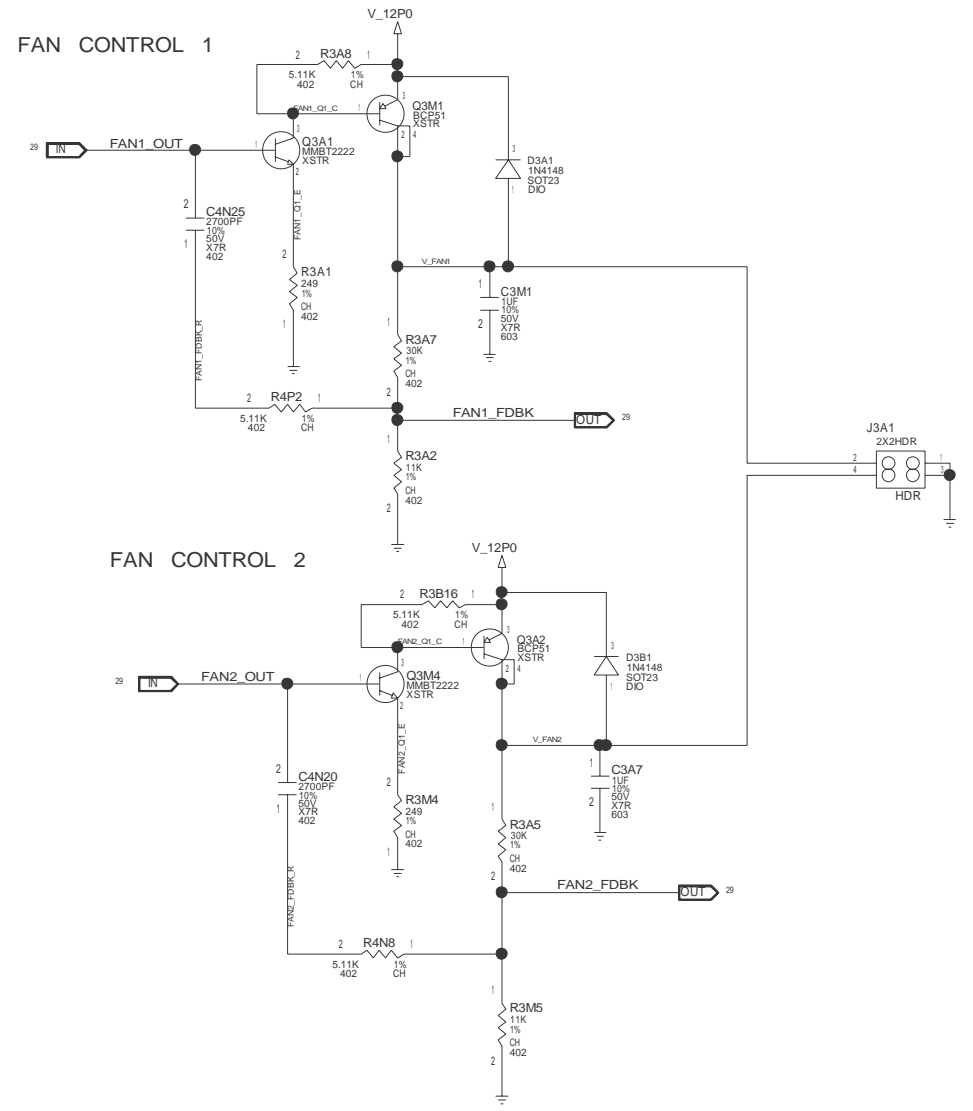
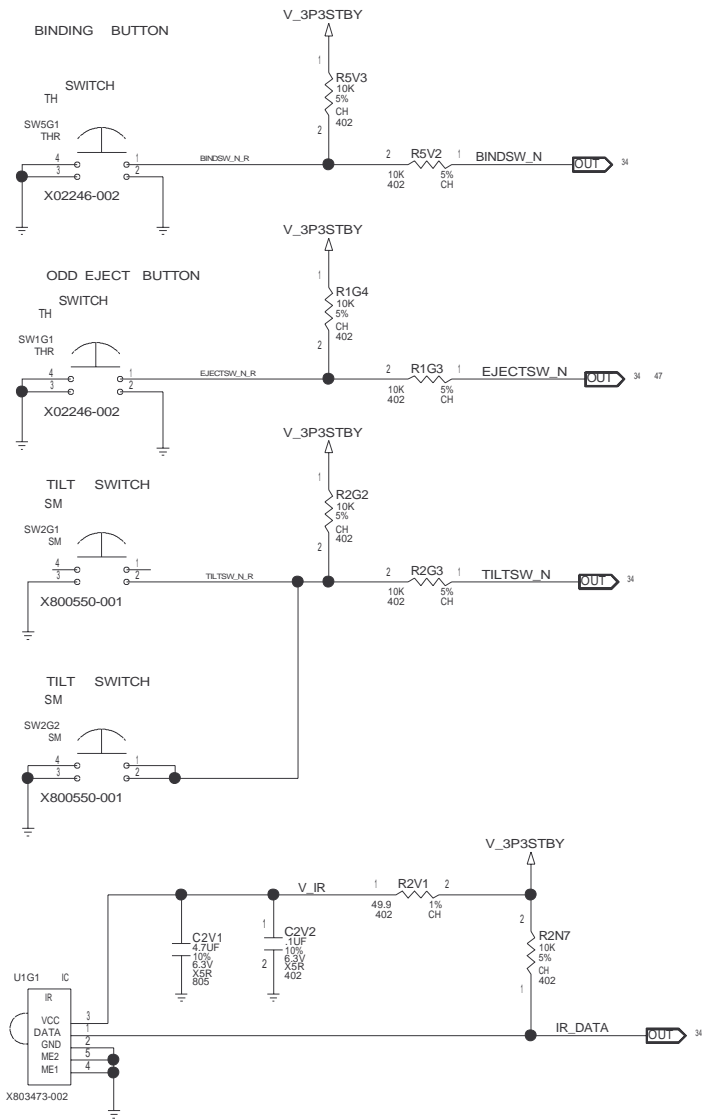


FLSH_DATA0		0	1
0	8MB	16MB	
1	32MB	64MB	

N: RETAIL=16MB  
N: XDK=64MB

N: STUFFED AT CONFIG LEVEL  
N: UPDATE TO RECENT PART NO#



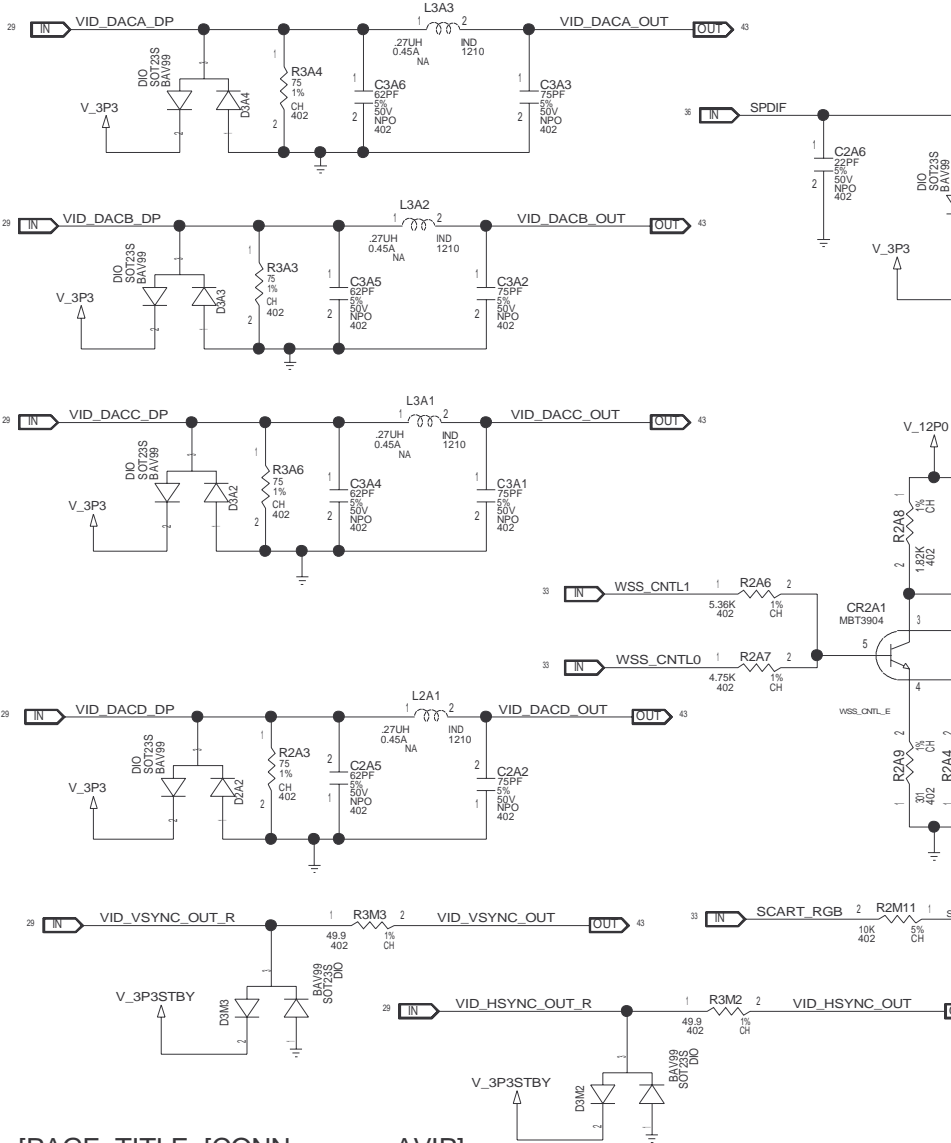


[PAGE\_TITLE=CONN, FAN + INFRARED + SWITCHES]

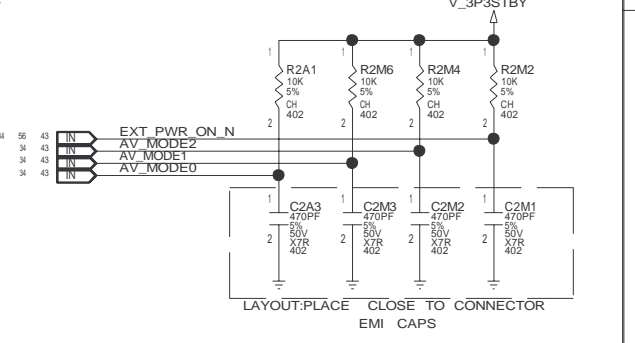
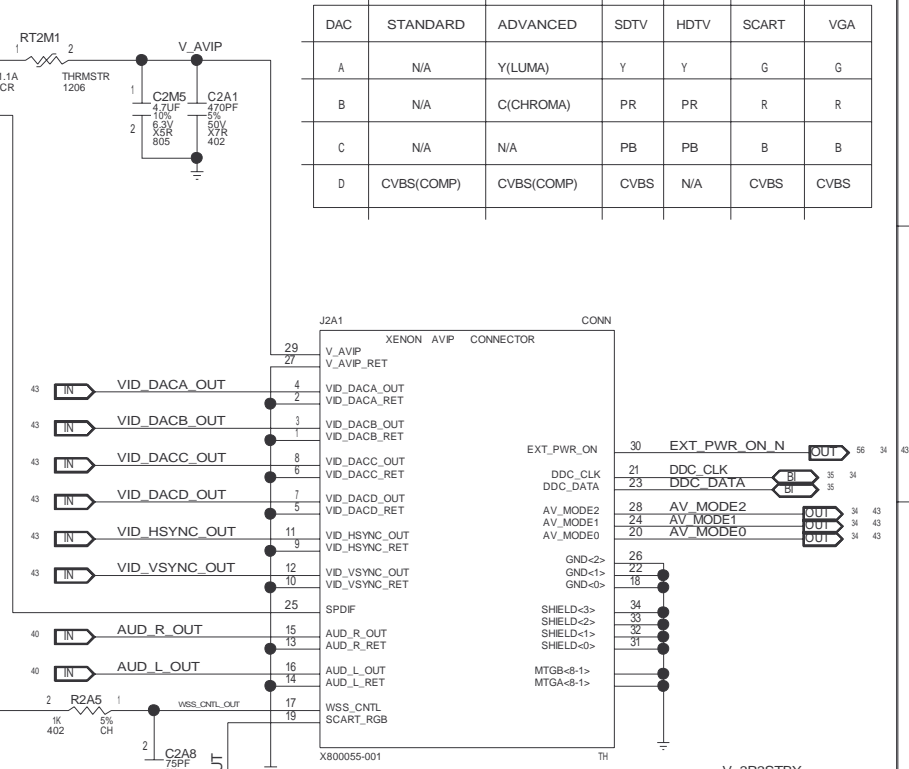
DRAWING  
XENON\_FABK  
Wed Aug 24 09:27:30 2005

MICROSOFT CONFIDENTIAL	PROJECT_NAME XENON_RETAIL	PAGE 42/73	REV K7
---------------------------	------------------------------	---------------	-----------

AARON: THIS PAGE HAS TOO MUCH ON IT.



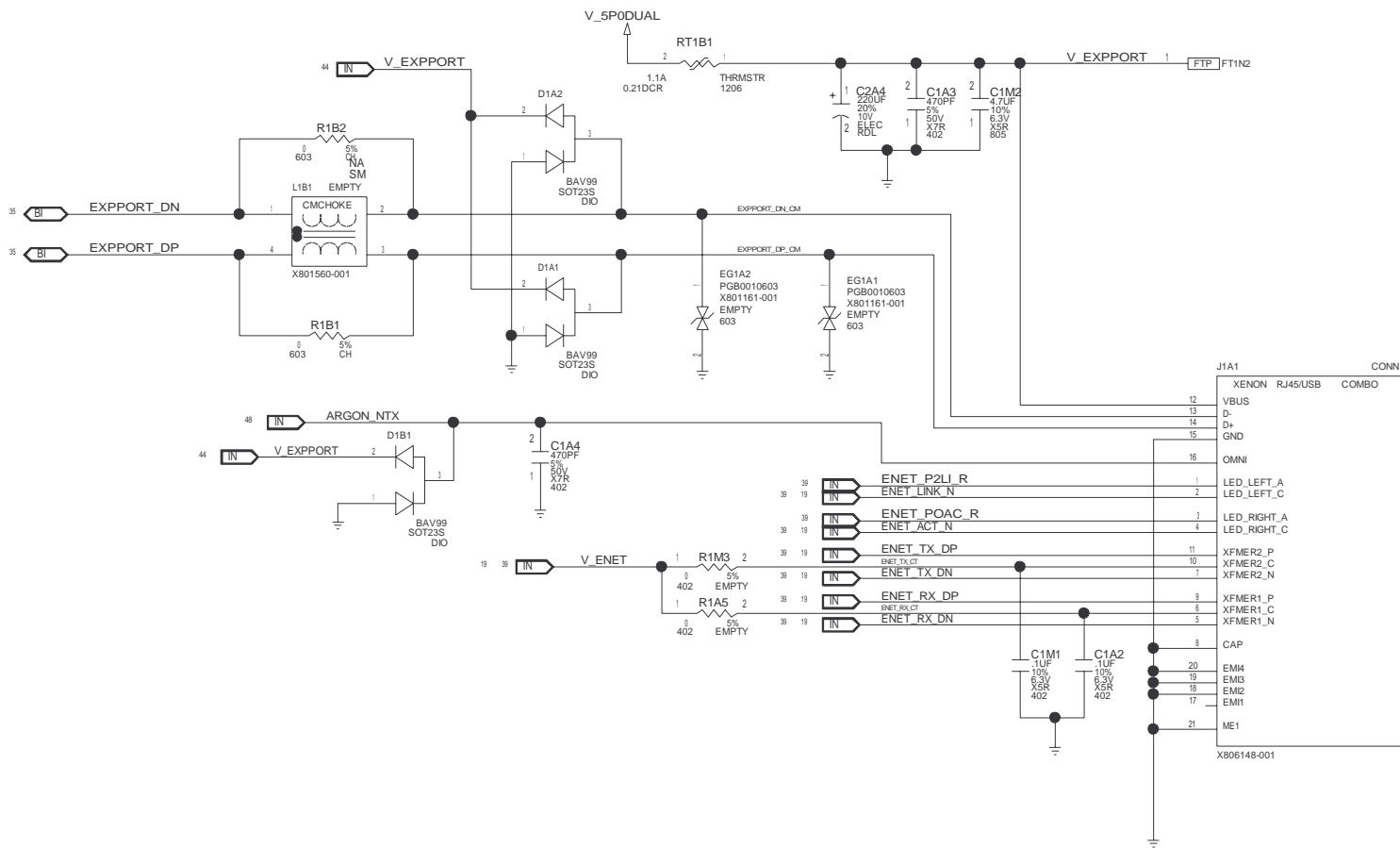
	DAC	STANDARD	ADVANCED	SDTV	HDTV	SCART	VGA
A		N/A	Y(LUMA)	Y	Y	G	G
B		N/A	C(CHROMA)	PR	PR	R	R
C		N/A	N/A	PB	PB	B	B
D		CVBS(COMP)	CVBS(COMP)	CVBS	N/A	CVBS	CVBS

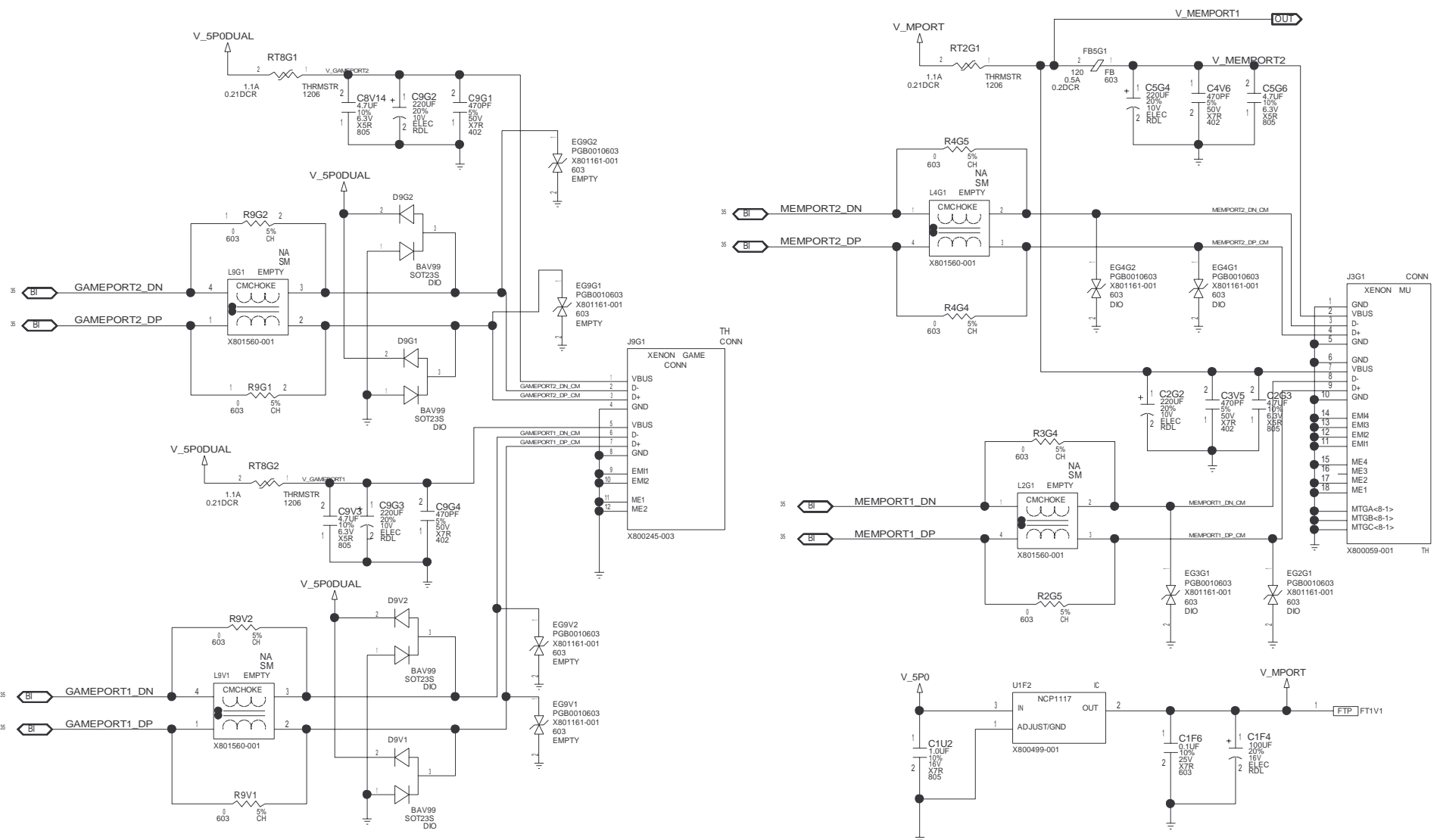


[PAGE\_TITLE]=[CONN, AVIP]

DRAWING XENON\_FABK  
Wed Aug 24 09:27:31 2005

MICROSOFT CONFIDENTIAL	PROJECT NAME XENON_RETAIL	PAGE 43/73	REV K7
---------------------------	------------------------------	---------------	-----------

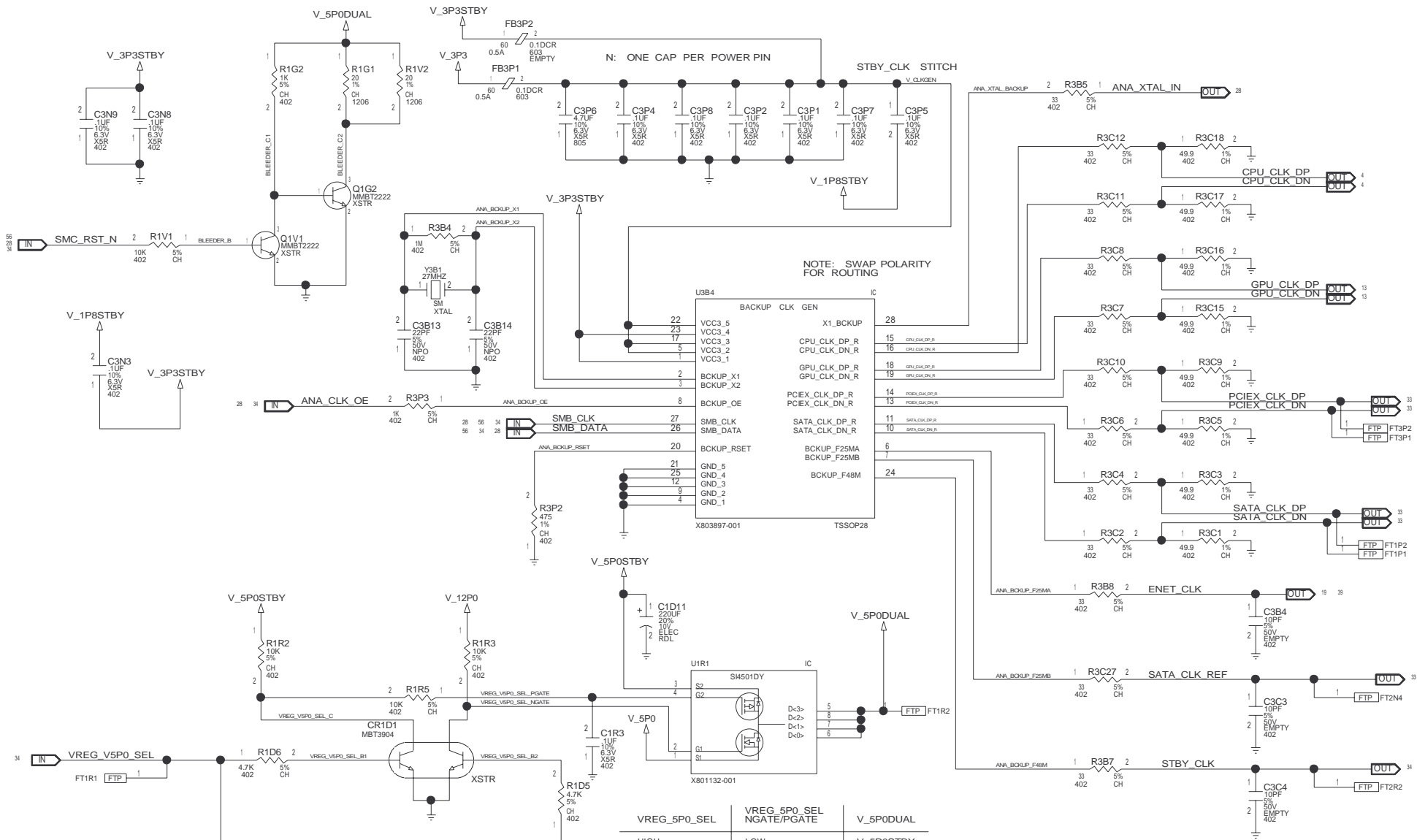




[PAGE\_TITLE=CONN, MEMORY PORTS + GAME PORTS]

DRAWING XENON FABK Wed Aug 24 09:27:33 2005

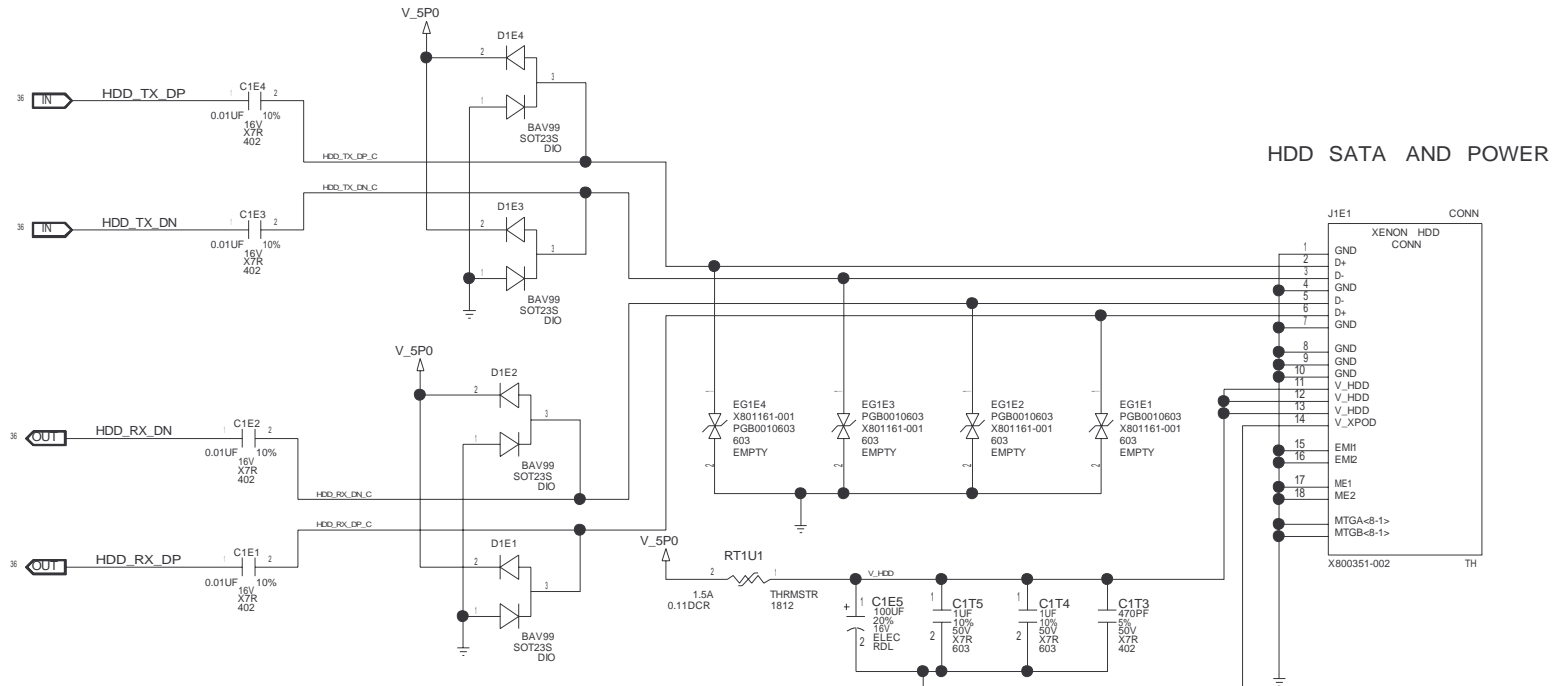
MICROSOFT CONFIDENTIAL	PROJECT NAME XENON_RETAIL	PAGE 45/73	REV K7
---------------------------	------------------------------	---------------	-----------



[PAGE\_TITLE]=[BACKUP CLOCK + V\_5P0 DUAL]

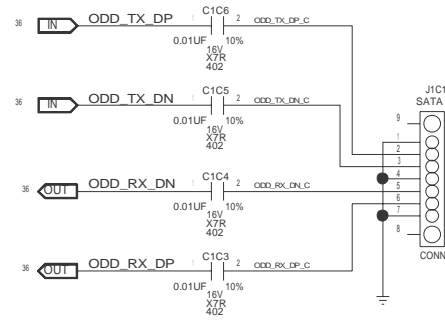
DRAWING  
XENON\_FABK  
Wed Aug 24 09:27:34 2005

MICROSOFT CONFIDENTIAL	PROJECT NAME XENON_RETAIL	PAGE 46/73	REV K7
---------------------------	------------------------------	---------------	-----------

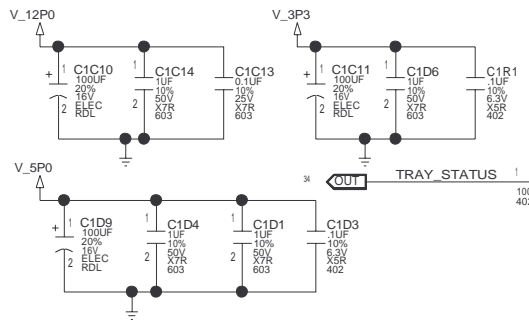


HDD SATA AND POWER

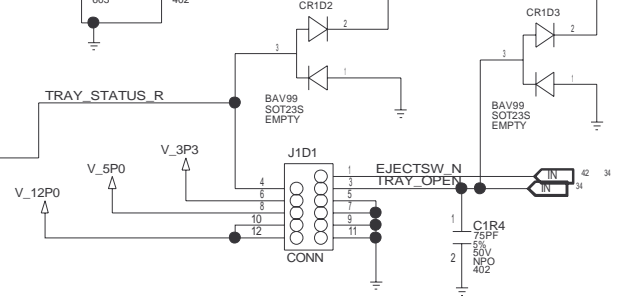
ODD SATA



ODD POWER DECOUPLING



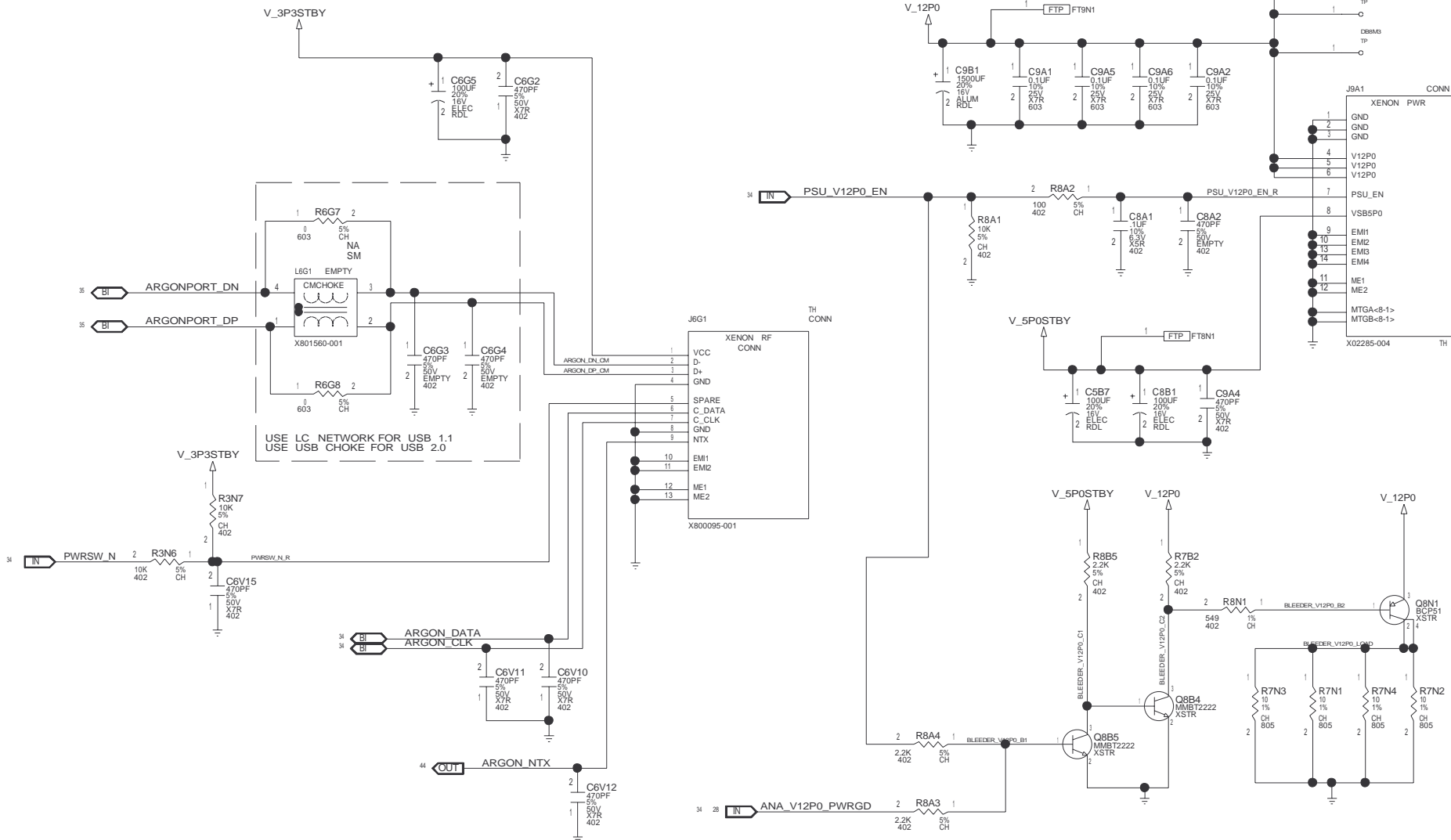
ODD POWER AND CONTROL



[PAGE\_TITLE=CONN, ODD + HDD]

DRAWING  
XENON\_FABK  
Wed Aug 24 09:27:35 2005

MICROSOFT CONFIDENTIAL	PROJECT NAME XENON_RETAIL	PAGE 47/73	REV K7
---------------------------	------------------------------	---------------	-----------

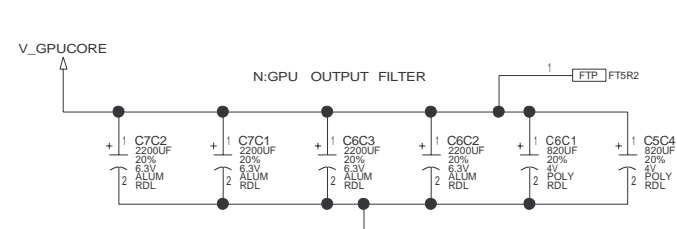
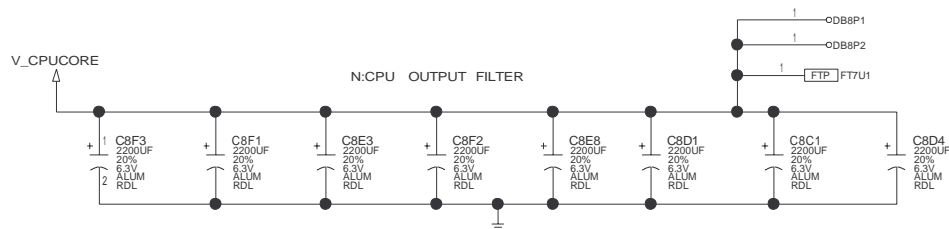
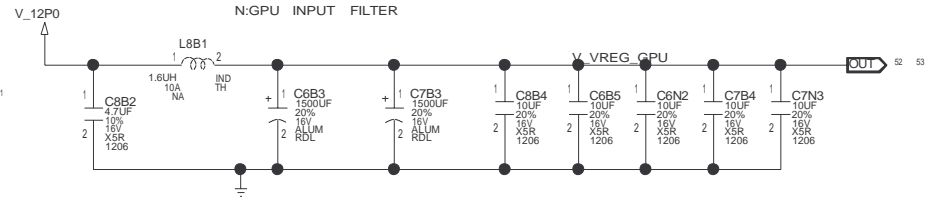
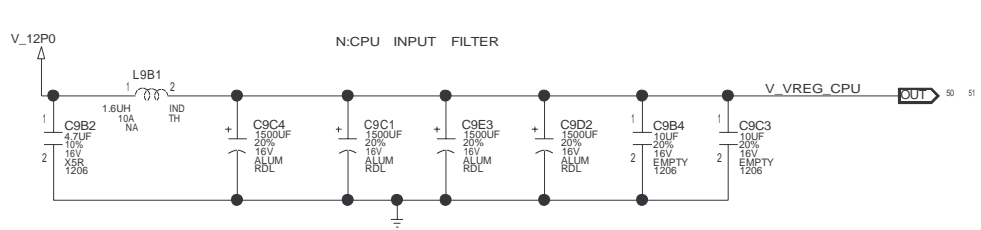
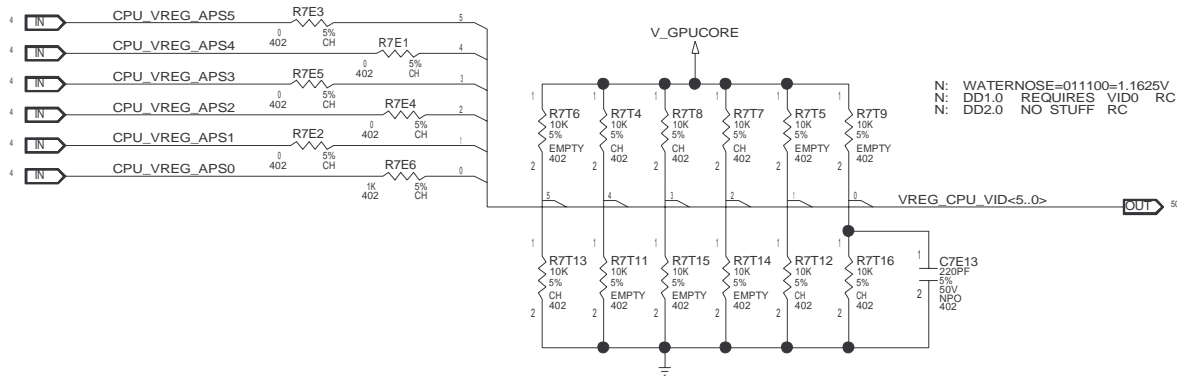


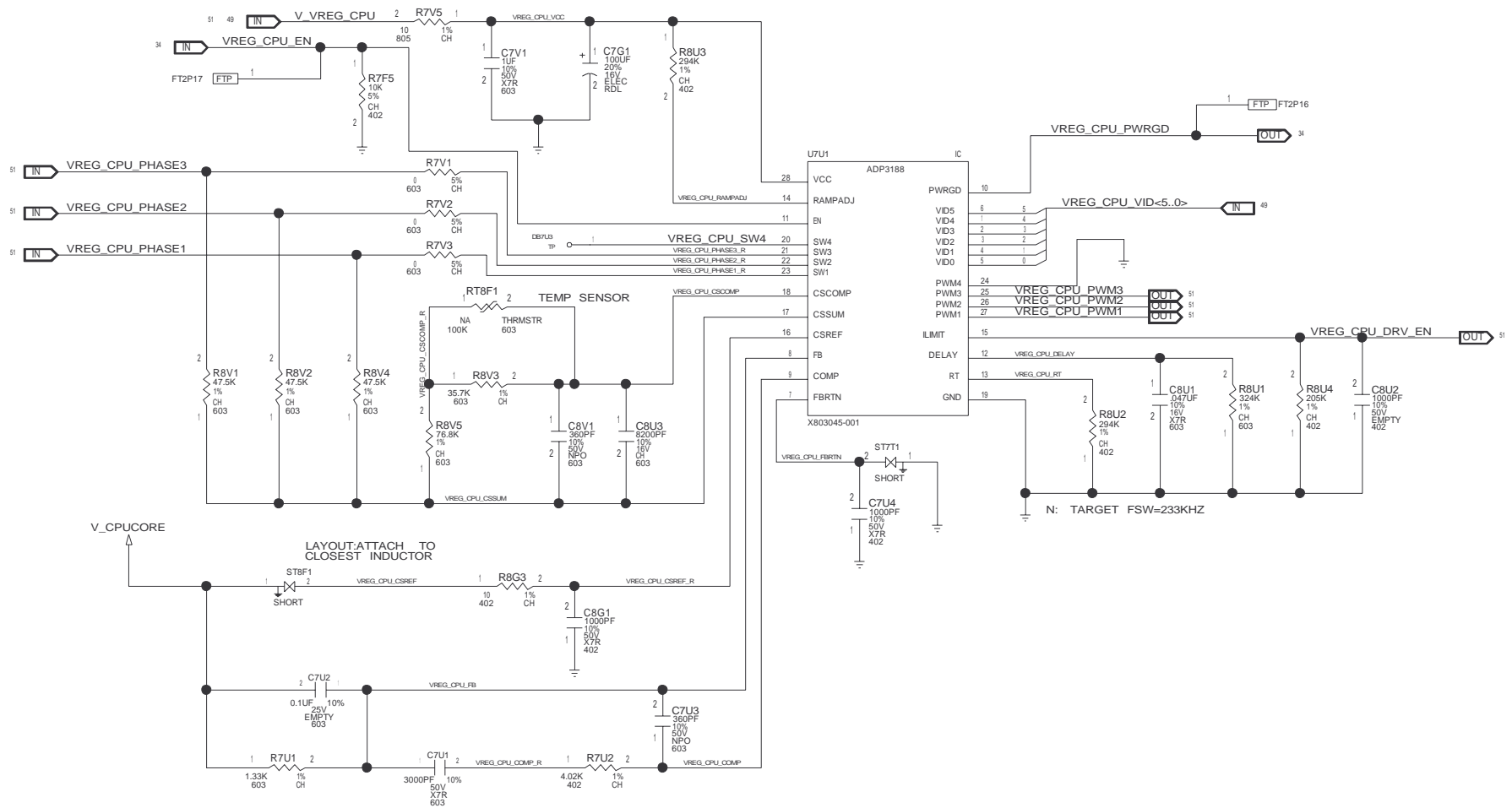
[PAGE\_TITLE=CONN, ARGON + POWER]

DRAWING  
XENON\_FABK  
Wed Aug 24 09:27:35 2005

MICROSOFT CONFIDENTIAL	PROJECT NAME XENON_RETAIL	PAGE 48/73	REV K7
---------------------------	------------------------------	---------------	-----------



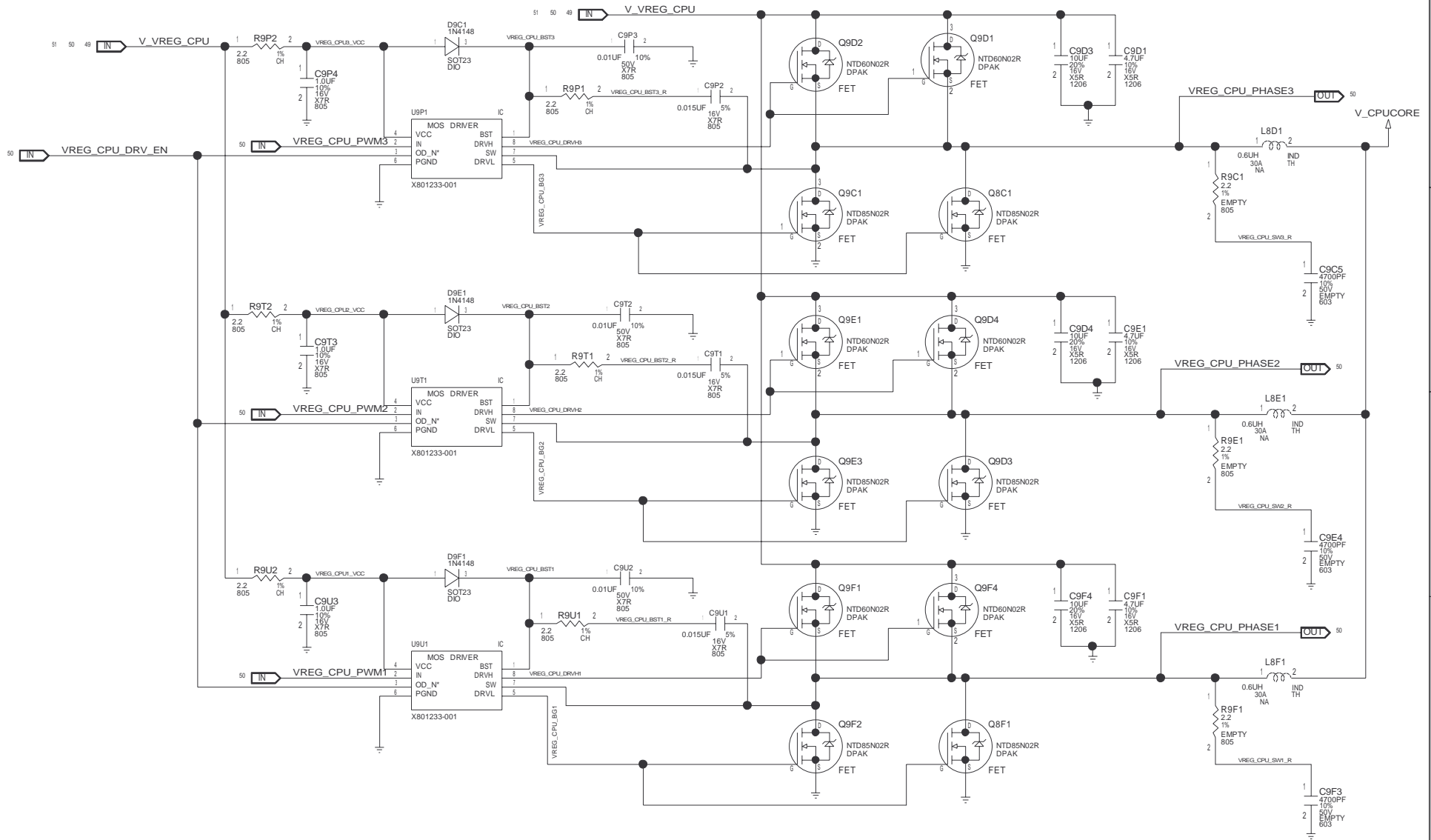




[PAGE\_TITLE=VREGS, CPU CONTROLLER]

DRAWING  
XENON\_FABK  
Wed Aug 24 09:27:36 2005

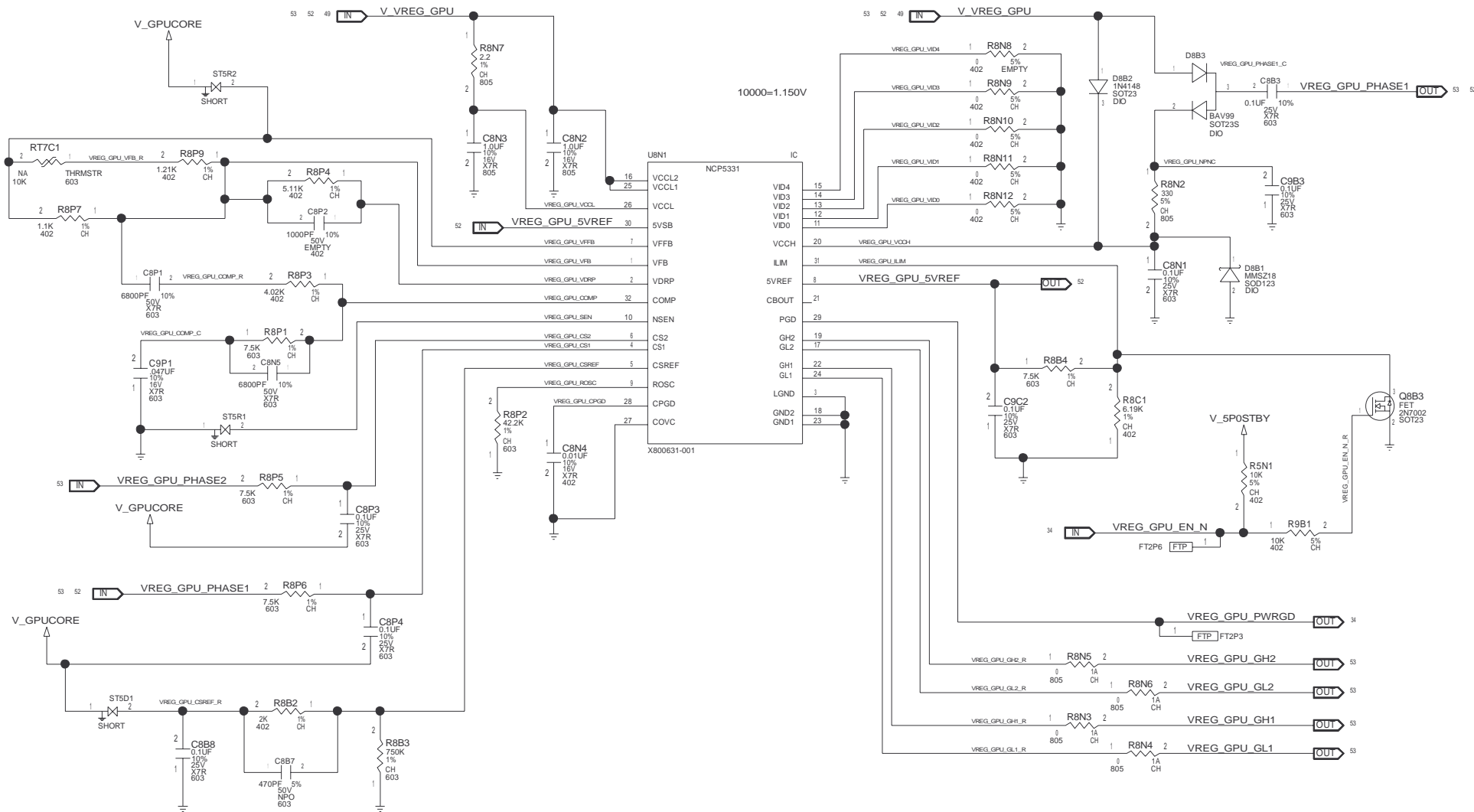
MICROSOFT CONFIDENTIAL	PROJECT NAME XENON_RETAIL	PAGE 50/73	REV K7
---------------------------	------------------------------	---------------	-----------



[PAGE\_TITLE=VREGS, CPU OUTPUT PHASE 1,2,3]

DRAWING  
XENON\_FABK  
Wed Aug 24 09:27:37 2005

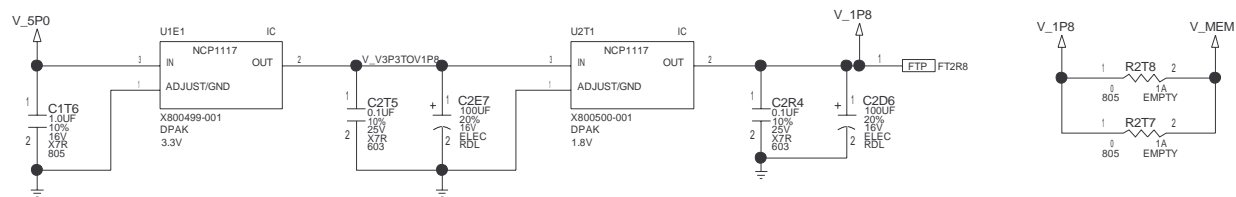
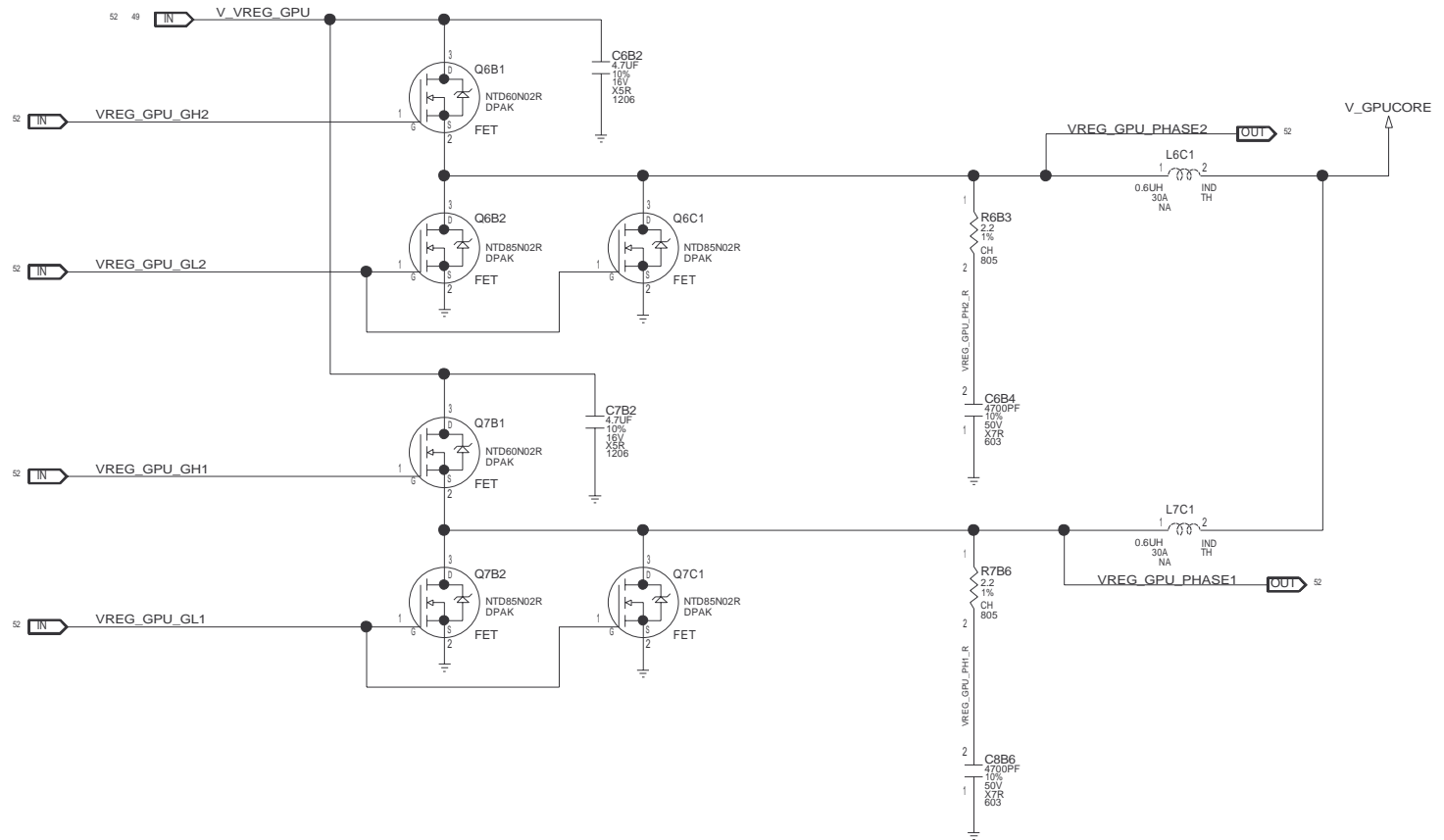
MICROSOFT CONFIDENTIAL	PROJECT NAME XENON_RETAIL	PAGE 51/73	REV K7
---------------------------	------------------------------	---------------	-----------



[PAGE\_TITLE=VREGS, GPU CONTROLLER]

DRAWING  
XENON\_FABK  
Wed Aug 24 09:27:38 2005

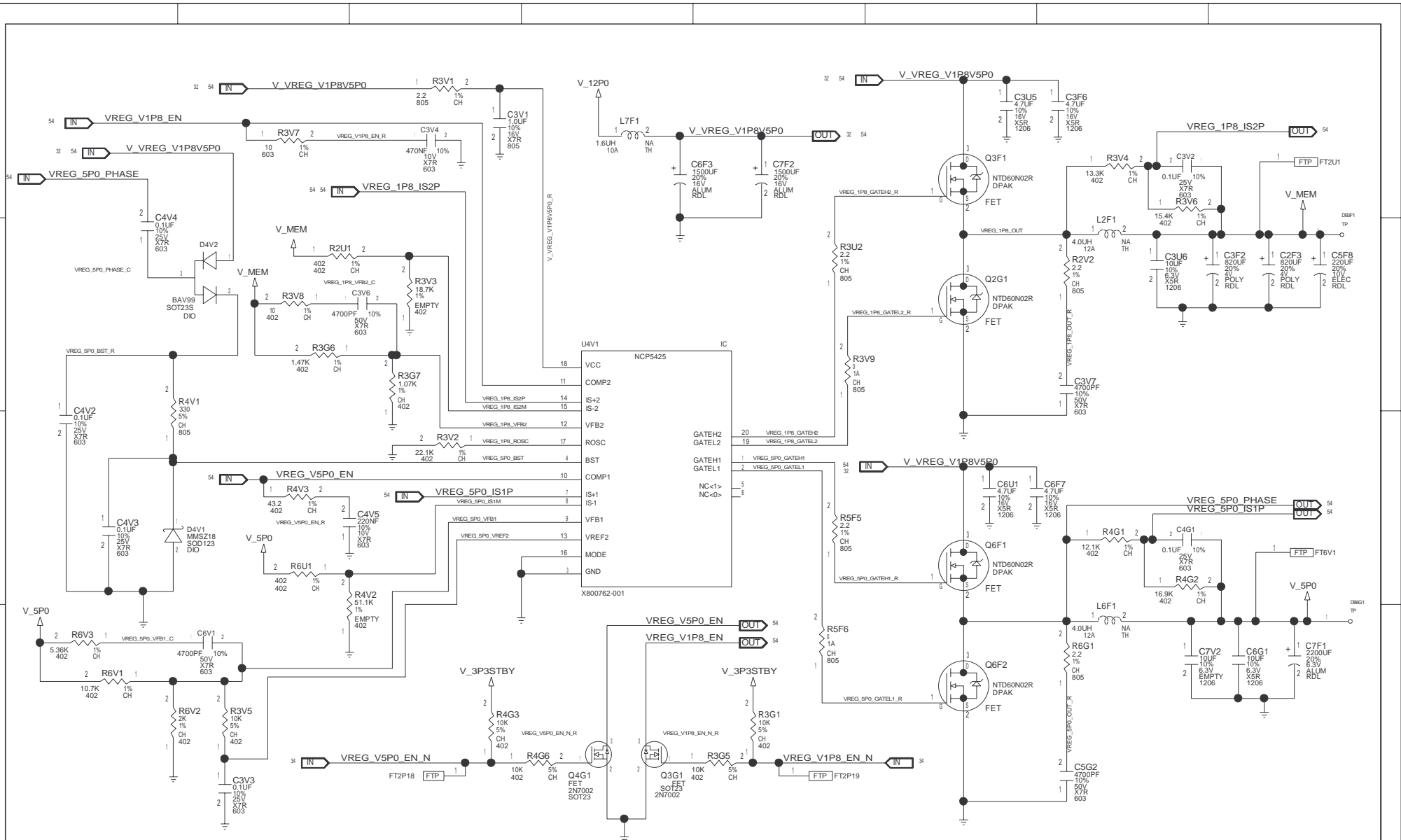
MICROSOFT CONFIDENTIAL	PROJECT NAME XENON_RETAIL	PAGE 52/73	REV K7
---------------------------	------------------------------	---------------	-----------



[PAGE\_TITLE=VREGS, GPU OUTPUT PHASE 1,2]

DRAWING  
 XENON\_FABK  
 Wed Aug 24 09:27:39 2005

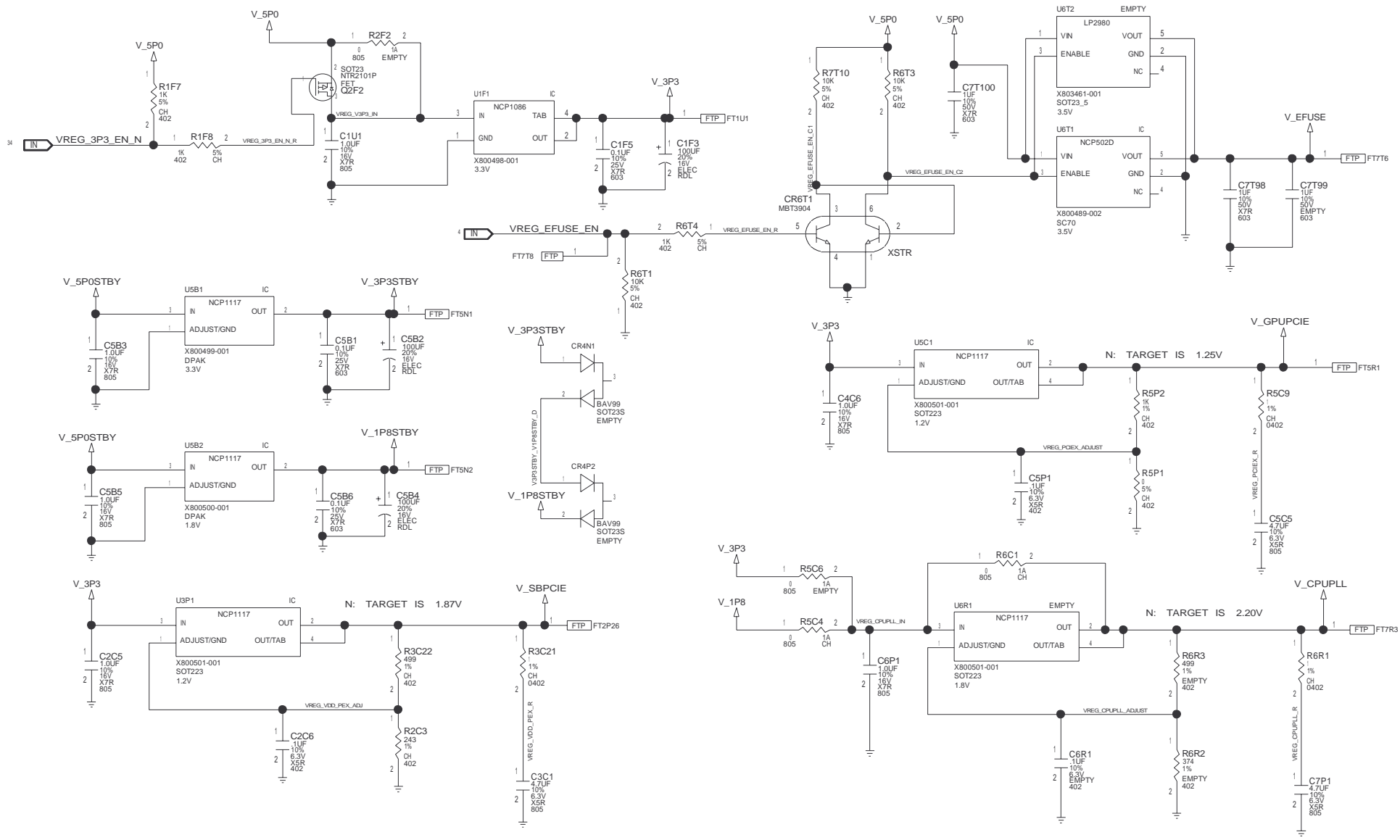
MICROSOFT CONFIDENTIAL	PROJECT_NAME XENON_RETAIL	PAGE 53/73	REV K7
---------------------------	------------------------------	---------------	-----------



[PAGE\_TITLE=VREGS, V1P8 AND V5P0]

DRAWING  
XENON\_FABK  
Wed Aug 24 09:27:39 2005

MICROSOFT CONFIDENTIAL	PROJECT NAME XENON_RETAIL	PAGE 54/73	REV K7
---------------------------	------------------------------	---------------	-----------

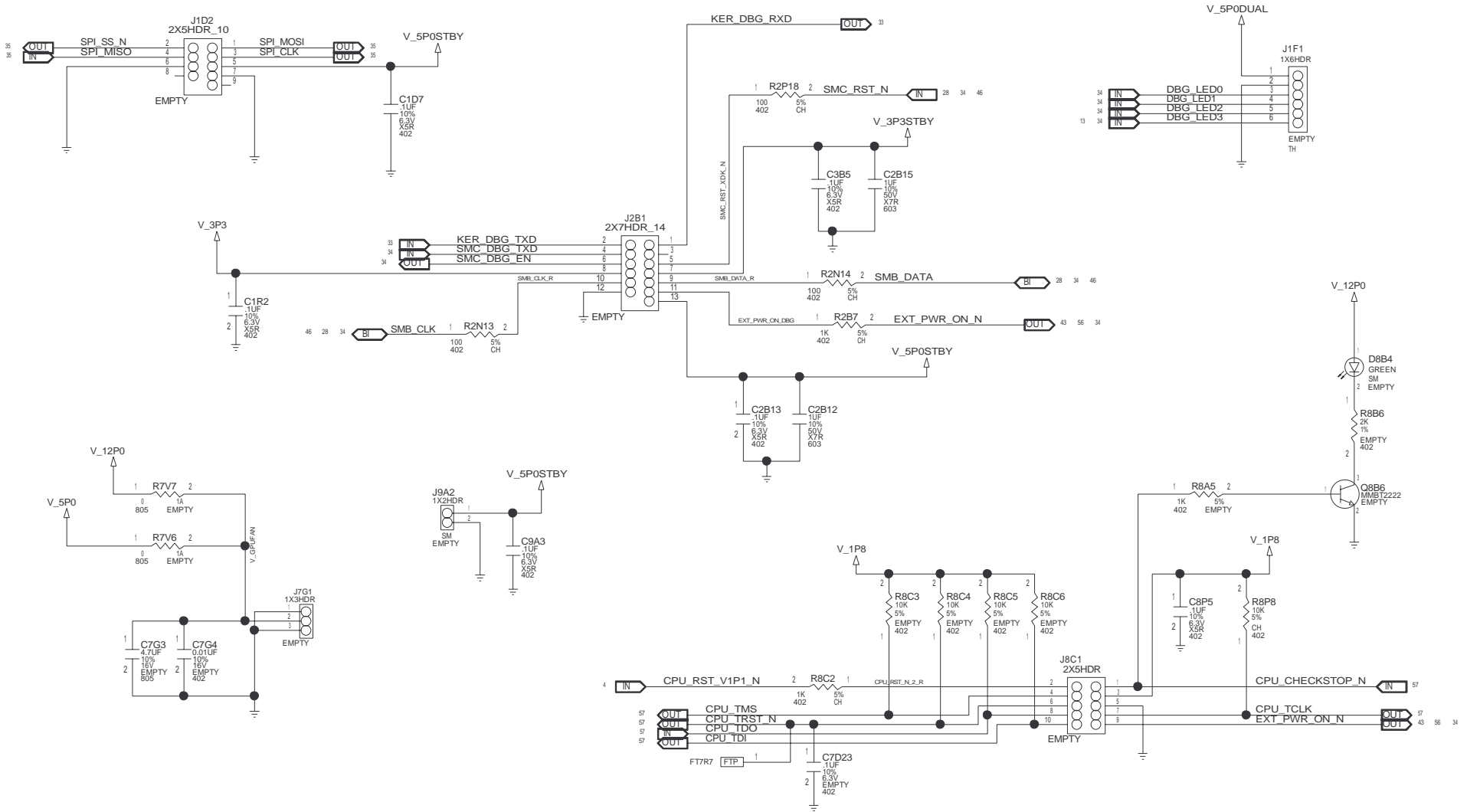


[PAGE\_TITLE=[VREGS, LINEAR VREGS]

DRAWING  
 XENON\_FABK  
 Wed Aug 24 09:27:40 2005

MICROSOFT CONFIDENTIAL	PROJECT NAME XENON_RETAIL	PAGE 55/73	REV K7
---------------------------	------------------------------	---------------	-----------

# XDK, DEBUG CONNECTORS



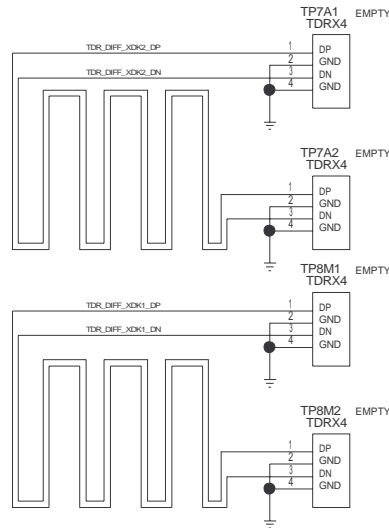
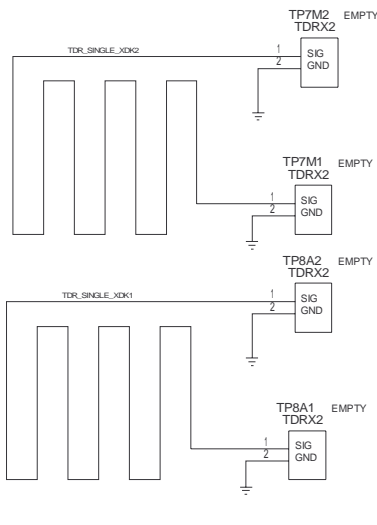
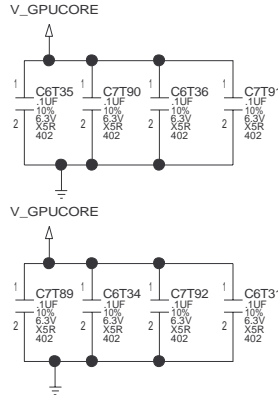
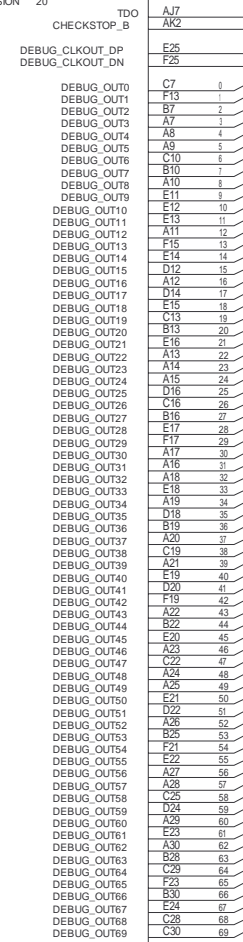
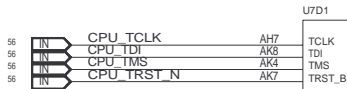
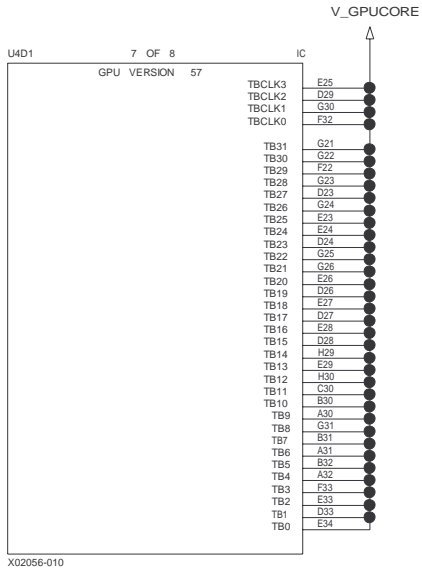
[PAGE\_TITLE=XDK. DEBUG CONN]

DRAWING  
XENON\_FABK  
Wed Aug 24 09:26:59 2005

MICROSOFT CONFIDENTIAL	PROJECT NAME XENON_RETAIL	PAGE 56/73	REV K7
---------------------------	------------------------------	---------------	-----------



# DEBUG BOARD, CPU + GPU DEBUG BREAKOUT



[PAGE\_TITLE=DEBUG BOARD, CPU + GPU DEBUG BREAKOUT]

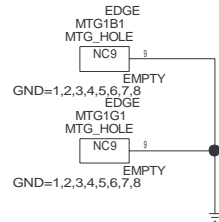
DRAWING XENON\_FABK Wed Aug 24 09:27:41 2005

MICROSOFT CONFIDENTIAL	PROJECT_NAME XENON_RETAIL	PAGE 57/73	REV K7
------------------------	---------------------------	------------	--------

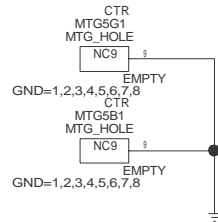
INTELLIGENT SERIAL NUMBER TARGET.



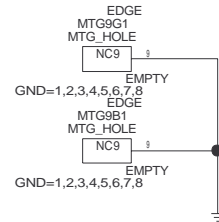
WEST PCB MOUNTING HOLES



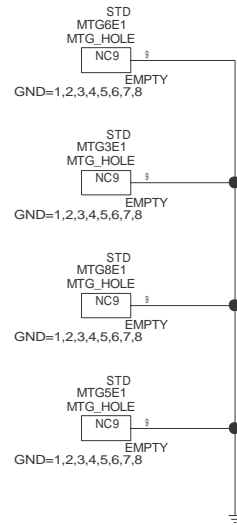
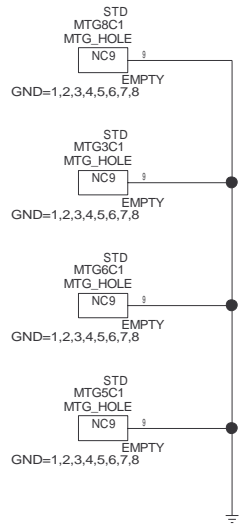
MIDDLE PCB MOUNTING HOLES



EAST PCB MOUNTING HOLES



HEAT SINK MOUNTING HOLES



\*\*\* Signal Cross-Reference for the entire design \*\*\*

ANA\_CLK\_OE 34B3> 28C8< 46B7<  
 ANA\_PIX\_CLK\_2X\_DN 28B1> 13C8<  
 ANA\_PIX\_CLK\_2X\_DP 28B1> 13C8<  
 ANA\_RST\_N 34C3> 28D7<  
 ANA\_V12P0\_PWRGD 28D3> 34C3< 48A5<  
 ANA\_VDD\_DAC18S 30D5> 33A5<  
 ANA\_VID\_IN 25D3> 33E2<  
 ANA\_XTAL\_IN 46D2> 28C7<  
 ARGONPORT\_DN 35B4<> 48C8<>  
 ARGONPORT\_DP 35B4<> 48C8<>  
 ARGON\_CLK 34A1<> 48A7<>  
 ARGON\_DATA 34A1<> 48A7<>  
 ARGON\_NTX 48A6> 44B7<  
 AUD\_CLAMP 34C8> 40A6<  
 AUD\_CLK 28B1> 36C8<  
 AUD\_L\_OUT 40C1> 43B4<  
 AUD\_RST\_N 33B2> 40C8<  
 AUD\_R\_OUT 40C1> 43B4<  
 AV\_MODE0 43B1> 34B8< 43A3<  
 AV\_MODE1 43B1> 34B8< 43A3<  
 AV\_MODE2 43B1> 34B8< 43A3<  
 BINDSW\_N 42D8> 34B3<  
 BRD\_TEMP\_N 29A7> 29A8<  
 BRD\_TEMP\_P 29B1> 29A7<  
 CAL\_TEMP\_N 29B1> 29A8<  
 CPU\_ANL1 4C5>  
 CPU\_CHECKSTOP\_N 57D1> 56A1<  
 CPU\_CLK\_DN 46D1> 4D6<  
 CPU\_CLK\_DP 46D1> 4D6<  
 CPU\_DBGSEL\_DEBUG<0..69> 31D8<  
 CPU\_DBGSEL\_XDK<0..69> 57D1> 31D4<  
 CPU\_DBG\_CLK\_DN 57D1>  
 CPU\_DBG\_CLK\_DP 57D1>  
 CPU\_FSB\_HF\_CLKOUT\_DN 4C2>  
 CPU\_FSB\_HF\_CLKOUT\_DP 4C2>  
 CPU\_PWRGD 34B3> 4D8<  
 CPU\_RST\_N 34B3> 4D8<  
 CPU\_RST\_V1P1\_N 4D7> 56A5<  
 CPU\_SPL\_CLK 4B1> 4A5<  
 CPU\_SPL\_EN 4B2> 4A6<  
 CPU\_SPL\_SI 4A1> 4B3> 4B6<  
 CPU\_SPL\_SO 4B2> 4A5<  
 CPU\_SPL\_WP\_N 4A3> 4A2<  
 CPU\_TCLK 56A1> 57D5<  
 CPU\_TDI 56A5> 57D5<  
 CPU\_TDO 57D1> 56A5<  
 CPU\_TEMP\_N 4B2> 29B8<  
 CPU\_TEMP\_P 29B1> 4B2<  
 CPU\_TMS 56A5> 57D5<  
 CPU\_TRST\_N 56A5> 57D5<  
 CPU\_VREG\_APS0 4B2> 49C7<  
 CPU\_VREG\_APS1 4B2> 49D7<  
 CPU\_VREG\_APS2 4B2> 49D7<  
 CPU\_VREG\_APS3 4B2> 49D7<  
 CPU\_VREG\_APS4 4B2> 49D7<  
 CPU\_VREG\_APS5 4B2> 49D7<  
 DBG\_LED0 34B8> 56D3<  
 DBG\_LED1 34B8> 56D3<  
 DBG\_LED2 34B8> 56D3<  
 DBG\_LED3 34B8> 13C7< 56D3<  
 DDC\_CLK 35A1<> 43C1<> 34B8<  
 DDC\_CLK\_OUT 34C8> 35A5>  
 DDC\_DATA 36B1<> 43C1<>  
 DDC\_DATA\_OUT 34C8> 35B5>  
 EDRAM\_TEMP\_N 13C8> 29A8<  
 EDRAM\_TEMP\_P 29B1> 13C8<  
 EJECTSW\_N 42C8> 34B3< 47A1<  
 ENET\_ACT\_N 19B3> 39C3> 44B5<  
 ENET\_AVDD 19D4> 19B3> 19B6<  
 ENET\_CLK 46B1> 19D6< 39C7<  
 ENET\_LINK\_N 19B3> 39B2> 44B5<  
 ENET\_P2U\_R 39B2> 44B5<  
 ENET\_POAC\_R 39C3> 44B5<  
 ENET\_RST\_N 33A2> 19D6< 39C8<  
 ENET\_RX\_DN 19B3> 39C1<> 44B5<

ENET\_RX\_DP 19B3> 39D1<> 44B5<  
 ENET\_TX\_DN 19B3> 39A1<> 44B5<  
 ENET\_TX\_DP 19B3> 39C1<> 44B5<  
 EXPORT\_DP 35B4<> 44C8>  
 EXPORT\_DP 35B4<> 44C8>  
 EXT\_PWR\_ON\_N 43C1> 56A1> 56C3> 34C8> 43A3<  
 FANI\_FDBK 42C2> 29C6<  
 FANI\_OUT 29C3> 42D5<  
 FAN2\_FDBK 42A2> 29C6<  
 FAN2\_OUT 29C3> 42B4<  
 FLSH\_ALE 35C4> 41B5<  
 FLSH\_CE\_N 35C4> 41B5<  
 FLSH\_CLE 35C4> 41B5<  
 FLSH\_DATA<7..D> 35C8> 41C8<  
 FLSH\_READY 41C1> 35C8<  
 FLSH\_RE\_N 35C4> 41B5<  
 FLSH\_WE\_N 35C4> 41B5<  
 FLSH\_WP\_N 35C8> 41B5<  
 FSB\_CP\_GP0\_CLK\_DN 5D3> 12D8<  
 FSB\_CP\_GP0\_CLK\_DP 5D3> 12D8<  
 FSB\_CP\_GP0\_DATA0\_DN 5C3> 12C8<  
 FSB\_CP\_GP0\_DATA0\_DP 5C3> 12C8<  
 FSB\_CP\_GP0\_DATA1\_DN 5C3> 12C8<  
 FSB\_CP\_GP0\_DATA1\_DP 5C3> 12C8<  
 FSB\_CP\_GP0\_DATA2\_DN 5C3> 12C8<  
 FSB\_CP\_GP0\_DATA2\_DP 5C3> 12C8<  
 FSB\_CP\_GP0\_DATA3\_DN 5C3> 12C8<  
 FSB\_CP\_GP0\_DATA3\_DP 5C3> 12C8<  
 FSB\_CP\_GP0\_DATA4\_DN 5C3> 12C8<  
 FSB\_CP\_GP0\_DATA4\_DP 5C3> 12C8<  
 FSB\_CP\_GP0\_DATA5\_DN 5C3> 12C8<  
 FSB\_CP\_GP0\_DATA5\_DP 5C3> 12C8<  
 FSB\_CP\_GP1\_DATA6\_DN 5C3> 12C8<  
 FSB\_CP\_GP1\_DATA6\_DP 5C3> 12C8<  
 FSB\_CP\_GP1\_DATA7\_DN 5C3> 12C8<  
 FSB\_CP\_GP1\_DATA7\_DP 5C3> 12C8<  
 FSB\_CP\_GP0\_FLAG\_DN 5C3> 12C8<  
 FSB\_CP\_GP0\_FLAG\_DP 5C3> 12C8<  
 FSB\_CP\_GP1\_CLK\_DN 5C3> 12C8<  
 FSB\_CP\_GP1\_CLK\_DP 5C3> 12C8<  
 FSB\_CP\_GP1\_DATA0\_DN 5B3> 12B8<  
 FSB\_CP\_GP1\_DATA0\_DP 5B3> 12B8<  
 FSB\_CP\_GP1\_DATA1\_DN 5B3> 12B8<  
 FSB\_CP\_GP1\_DATA1\_DP 5B3> 12B8<  
 FSB\_CP\_GP1\_DATA2\_DN 5B3> 12B8<  
 FSB\_CP\_GP1\_DATA2\_DP 5B3> 12B8<  
 FSB\_CP\_GP1\_DATA3\_DN 5B3> 12B8<  
 FSB\_CP\_GP1\_DATA3\_DP 5B3> 12B8<  
 FSB\_CP\_GP1\_DATA4\_DN 5B3> 12B8<  
 FSB\_CP\_GP1\_DATA4\_DP 5B3> 12B8<  
 FSB\_CP\_GP1\_DATA5\_DN 5B3> 12B8<  
 FSB\_CP\_GP1\_DATA5\_DP 5B3> 12B8<  
 FSB\_CP\_GP1\_DATA6\_DN 5B3> 12B8<  
 FSB\_CP\_GP1\_DATA6\_DP 5B3> 12B8<  
 FSB\_CP\_GP1\_DATA7\_DN 5B3> 12B8<  
 FSB\_CP\_GP1\_DATA7\_DP 5B3> 12B8<  
 FSB\_CP\_GP1\_FLAG\_DN 5B3> 12B8<  
 FSB\_CP\_GP1\_FLAG\_DP 5B3> 12C8<  
 FSB\_CP\_CP0\_CLK\_DN 12D4> 5D7<  
 FSB\_CP\_CP0\_CLK\_DP 12D4> 5D7<  
 FSB\_GP\_CP0\_DATA0\_DN 12C4> 5C7<  
 FSB\_GP\_CP0\_DATA0\_DP 12C4> 5C7<  
 FSB\_GP\_CP0\_DATA1\_DN 12C4> 5C7<  
 FSB\_GP\_CP0\_DATA1\_DP 12C4> 5C7<  
 FSB\_GP\_CP0\_DATA2\_DN 12C4> 5C7<  
 FSB\_GP\_CP0\_DATA2\_DP 12C4> 5C7<  
 FSB\_GP\_CP0\_DATA3\_DN 12C4> 5C7<  
 FSB\_GP\_CP0\_DATA3\_DP 12C4> 5C7<  
 FSB\_GP\_CP0\_DATA4\_DN 12C4> 5C7<  
 FSB\_GP\_CP0\_DATA4\_DP 12C4> 5C7<  
 FSB\_GP\_CP0\_DATA7\_DN 12C4> 5C7<  
 FSB\_GP\_CP0\_DATA7\_DP 12C4> 5C7<  
 FSB\_GP\_CP0\_FLAG\_DN 12C4> 5C7<

FSB\_GP\_CP0\_FLAG\_DP 12C4> 5C7<  
 FSB\_GP\_CP1\_CLK\_DN 12C4> 5C7<  
 FSB\_GP\_CP1\_CLK\_DP 12C4> 5C7<  
 FSB\_GP\_CP1\_DATA0\_DN 12B4> 5B7<  
 FSB\_GP\_CP1\_DATA0\_DP 12B4> 5B7<  
 FSB\_GP\_CP1\_DATA1\_DN 12B4> 5B7<  
 FSB\_GP\_CP1\_DATA1\_DP 12B4> 5B7<  
 FSB\_GP\_CP1\_DATA2\_DN 12B4> 5B7<  
 FSB\_GP\_CP1\_DATA2\_DP 12B4> 5B7<  
 FSB\_GP\_CP1\_DATA3\_DN 12B4> 5B7<  
 FSB\_GP\_CP1\_DATA3\_DP 12B4> 5B7<  
 FSB\_GP\_CP1\_DATA4\_DN 12B4> 5B7<  
 FSB\_GP\_CP1\_DATA4\_DP 12B4> 5B7<  
 FSB\_GP\_CP1\_DATA5\_DN 12B4> 5B7<  
 FSB\_GP\_CP1\_DATA5\_DP 12B4> 5B7<  
 FSB\_GP\_CP1\_DATA6\_DN 12B4> 5B7<  
 FSB\_GP\_CP1\_DATA6\_DP 12B4> 5B7<  
 FSB\_GP\_CP1\_DATA7\_DN 12B4> 5B7<  
 FSB\_GP\_CP1\_DATA7\_DP 12B4> 5B7<  
 FSB\_GP\_CP1\_FLAG\_DN 12B4> 5B7<  
 FSB\_GP\_CP1\_FLAG\_DP 12B4> 5B7<  
 GAMEPORT1\_DN 35B7<> 45A8<>  
 GAMEPORT1\_DP 35B7<> 45A8<>  
 GAMEPORT2\_DN 35B7<> 45C8<>  
 GAMEPORT2\_DP 35B7<> 45C8<>  
 GPU\_CLK\_DN 46C1> 13D7<  
 GPU\_CLK\_DP 46C1> 13D7<  
 GPU\_HSYNC\_OUT 13C4> 29D6<  
 GPU\_PIX\_CLK\_1X 13C4> 29D6<  
 GPU\_RST\_DONE 13D3> 34C1<  
 GPU\_RST\_N 34B3> 13D8<  
 GPU\_SCAN\_BUFF\_EN\_N 13A7> 12A3<  
 GPU\_SPL\_CLK 13B3> 13A7<  
 GPU\_SPL\_CS\_N 13B3> 13A7<  
 GPU\_SPL\_SI 13A2> 13B4> 13C7<  
 GPU\_SPL\_SO 13C3> 13A7<  
 GPU\_SPL\_WP\_N 13B4> 13A4<  
 GPU\_TEMP\_N 13C8> 29B8<  
 GPU\_TEMP\_P 29B1> 13C8<  
 GPU\_VSYNC\_OUT 13C4> 29D6<  
 HDD\_RX\_DN 47C8> 36B6<  
 HDD\_RX\_DP 47B8> 36B6<  
 HDD\_TX\_DN 36B3> 47D8<  
 HDD\_TX\_DP 36B3> 47D8<  
 I2S\_BCLK 36C1> 40C7<  
 I2S\_MCLK 36C1> 40C7<  
 I2S\_SD 36C1> 40C7<  
 I2S\_WS 36C1> 40C7<  
 IR\_DATA 42A5> 34B6<  
 KER\_DBG\_RXD 56D4> 33C6<  
 KER\_DBG\_TXD 33C1> 56D6<  
 MA\_A<11..0> 20C8> 21B8<  
 MA\_A<12..0> 14C5>  
 MA\_BA<2..0> 14C5> 20B8< 21B8<  
 MA\_CAS\_N 14B5> 20B8< 21B8<  
 MA\_OKE 14B5> 20B8< 21B8<  
 MA\_CLK0\_DN 14C5> 20C8<  
 MA\_CLK0\_DP 14C5> 20B8<  
 MA\_CLK1\_DN 14C5> 21C8<  
 MA\_CLK1\_DP 14C5> 21D8<  
 MA\_CS0\_N 14B5> 20B8<  
 MA\_CS1\_N 14B5> 21B8<  
 MA\_DM0 14B8> 20B5< 21B5<  
 MA\_DM1 14C8> 20B5< 21B5<  
 MA\_DM2 14C8> 20C5< 21C5<  
 MA\_DM3 14C8> 20C5< 21C5<  
 MA\_DQ0 14B8> 20B5> 21B5>  
 MA\_DQ1 14B8> 20B5> 21B5>  
 MA\_DQ2 14B8> 20B5> 21B5>  
 MA\_DQ3 14B8> 20B5> 21B5>  
 MA\_DQ4 14B8> 20B5> 21B5>  
 MA\_DQ5 14B8> 20B5> 21B5>  
 MA\_DQ6 14B8> 20B5> 21B5>  
 MA\_DQ7 14B8> 20B5> 21C5>  
 MA\_DQ8 14C8> 20B5> 21B5>  
 MA\_DQ9 14C8> 20B5> 21B5>  
 MA\_DQ10 14C8> 20B5> 21B5>

MA\_DQ11 14C8> 20B5> 21B5>  
 MA\_DQ12 14C8> 20B5> 21B5>  
 MA\_DQ13 14C8> 20B5> 21B5>  
 MA\_DQ14 14C8> 20B5> 21B5>  
 MA\_DQ15 14C8> 20C5> 21C5>  
 MA\_DQ16 14C8> 20C5> 21C5>  
 MA\_DQ17 14C8> 20C5> 21C5>  
 MA\_DQ18 14C8> 20C5> 21C5>  
 MA\_DQ19 14C8> 20C5> 21C5>  
 MA\_DQ20 14C8> 20C5> 21C5>  
 MA\_DQ21 14C8> 20C5> 21C5>  
 MA\_DQ22 14C8> 20C5> 21C5>  
 MA\_DQ23 14C8> 20C5> 21D5>  
 MA\_DQ24 14D8> 20C5> 21C5>  
 MA\_DQ25 14D8> 20C5> 21C5>  
 MA\_DQ26 14D8> 20C5> 21C5>  
 MA\_DQ27 14D8> 20C5> 21C5>  
 MA\_DQ28 14D8> 20C5> 21C5>  
 MA\_DQ29 14D8> 20C5> 21C5>  
 MA\_DQ30 14D8> 20C5> 21C5>  
 MA\_DQ31 14D8> 20C5> 21C5>  
 MA\_RAS\_N 14B5> 20B8> 21B8<  
 MA\_RDO0S 20B5> 21B5> 14B8<  
 MA\_RDO0S1 20B5> 21B5> 14C8<  
 MA\_RDO0S2 20C5> 21C5> 14C8<  
 MA\_RDO0S3 20C5> 21C5> 14D8<  
 MA\_WDQ00 14B8> 20B5> 21B5>  
 MA\_WDQ01 14C8> 20B5> 21B5>  
 MA\_WDQ02 14C8> 20C5> 21C5>  
 MA\_WDQ03 14D8> 20C5> 21C5>  
 MA\_WE\_N 14B5> 20B8> 21B8<  
 MB\_A<11..0> 22C8> 23C8<  
 MB\_A<12..0> 14C1>  
 MB\_BA<2..0> 14C1> 22B8> 22B8<  
 MB\_CAS\_N 14B1> 22B8> 22B8<  
 MB\_OKE 14B1> 22B8> 22B8<  
 MB\_CLK0\_DN 14C1> 22D8<  
 MB\_CLK0\_DP 14C1> 22D8<  
 MB\_CLK1\_DN 14C1> 23C8<  
 MB\_CLK1\_DP 14C1> 23D8<  
 MB\_CS0\_N 14B1> 22B8<  
 MB\_CS1\_N 14B1> 23B8<  
 MB\_DM0 14B4> 22B5> 22B5>  
 MB\_DM1 14C4> 22B5> 22B5>  
 MB\_DM2 14C4> 22C5> 22C5>  
 MB\_DM3 14D4> 22C5> 22C5>  
 MB\_DQ0 14B4> 22B5> 22B5>  
 MB\_DQ1 14B4> 22B5> 22B5>  
 MB\_DQ2 14B4> 22B5> 22B5>  
 MB\_DQ3 14B4> 22B5> 22B5>  
 MB\_DQ4 14B4> 22B5> 22B5>  
 MB\_DQ5 14B4> 22B5> 22B5>  
 MB\_DQ6 14B4> 22B5> 22B5>  
 MB\_DQ7 14B4> 22B5> 22B5>  
 MB\_DQ8 14C4> 22B5> 22B5>  
 MB\_DQ9 14C4> 22B5> 22B5>  
 MB\_DQ10 14C4> 22B5> 22B5>  
 MB\_DQ11 14C4> 22B5> 22B5>  
 MB\_DQ12 14C4> 22B5> 22B5>  
 MB\_DQ13 14C4> 22B5> 22B5>  
 MB\_DQ14 14C4> 22B5> 22B5>  
 MB\_DQ15 14C4> 22B5> 22B5>  
 MB\_DQ16 14C4> 22C5> 22C5>  
 MB\_DQ17 14C4> 22C5> 22C5>  
 MB\_DQ18 14C4> 22C5> 22C5>  
 MB\_DQ19 14C4> 22C5> 22C5>  
 MB\_DQ20 14C4> 22C5> 22C5>  
 MB\_DQ21 14C4> 22C5> 22C5>  
 MB\_DQ22 14C4> 22C5> 22C5>  
 MB\_DQ23 14C4> 22C5> 22C5>  
 MB\_DQ24 14D4> 22C5> 22C5>  
 MB\_DQ25 14D4> 22C5> 22C5>  
 MB\_DQ26 14D4> 22C5> 22C5>  
 MB\_DQ27 14D4> 22C5> 22C5>  
 MB\_DQ28 14D4> 22C5> 22C5>  
 MB\_DQ29 14D4> 22C5> 22C5>  
 MB\_DQ30 14D4> 22C5> 22C5>

MB\_DQ31 14D4< 22D5< 23C5<  
 MB\_RAS\_N 14B1> 22B8< 23B8<  
 MB\_RDQS0 22B5> 23B5> 14B4<  
 MB\_RDQS1 22B5> 23B5> 14C4<  
 MB\_RDQS2 22C5> 23C5> 14C4<  
 MB\_RDQS3 22C5> 23C5> 14D4<  
 MB\_WDQS0 14B4> 22B5< 23B5<  
 MB\_WDQS1 14C4> 22C5< 23C5<  
 MB\_WDQS2 14C4> 22C5< 23C5<  
 MB\_WDQS3 14D4> 22C5< 23C5<  
 MB\_WE\_N 14B1> 22B8< 23B8<  
 MC\_A<11.0> 24C8< 25C8<  
 MC\_A<12.0> 15C5>  
 MC\_BA<2.0> 15C5> 24C8< 25B8<  
 MC\_CAS\_N 15B5> 24B8< 25B8<  
 MC\_CKE 15C5> 24B8< 25B8<  
 MC\_CLK0\_DN 15C5> 24C8<  
 MC\_CLK0\_DP 15C5> 24D8<  
 MC\_CLK1\_DN 15C5> 25C8<  
 MC\_CLK1\_DP 15D5> 25D8<  
 MC\_CS0\_N 15B5> 24B8< 25B8<  
 MC\_CS1\_N 15B5> 25B8<  
 MC\_DM0 15B8> 24B4< 25B4<  
 MC\_DM1 15C8> 24B4< 25B4<  
 MC\_DM2 15C8> 24C4< 25C4<  
 MC\_DM3 15D8> 24C4< 25C4<  
 MC\_DQ0 15B8> 24B5> 25B4<  
 MC\_DQ1 15B8> 24B5> 25B4<  
 MC\_DQ2 15B8> 24B5> 25B4<  
 MC\_DQ3 15B8> 24B5> 25B4<  
 MC\_DQ4 15B8> 24B5> 25B4<  
 MC\_DQ5 15B8> 24B5> 25B4<  
 MC\_DQ6 15B8> 24B5> 25C4<  
 MC\_DQ7 15B8> 24B5> 25C4<  
 MC\_DQ8 15C8> 24B5> 25B4<  
 MC\_DQ9 15C8> 24B5> 25B4<  
 MC\_DQ10 15C8> 24B5> 25B4<  
 MC\_DQ11 15C8> 24B5> 25B4<  
 MC\_DQ12 15C8> 24B5> 25B4<  
 MC\_DQ13 15C8> 24B5> 25B4<  
 MC\_DQ14 15C8> 24C5> 25B4<  
 MC\_DQ15 15C8> 24C5> 25B4<  
 MC\_DQ16 15C8> 24C5> 25C4<  
 MC\_DQ17 15C8> 24C5> 25C4<  
 MC\_DQ18 15C8> 24C5> 25C4<  
 MC\_DQ19 15C8> 24C5> 25C4<  
 MC\_DQ20 15C8> 24C5> 25C4<  
 MC\_DQ21 15C8> 24C5> 25D4<  
 MC\_DQ22 15C8> 24C5> 25D4<  
 MC\_DQ23 15D8> 24C5> 25D4<  
 MC\_DQ24 15D8> 24C5> 25C4<  
 MC\_DQ25 15D8> 24C5> 25C4<  
 MC\_DQ26 15D8> 24C5> 25C4<  
 MC\_DQ27 15D8> 24C5> 25C4<  
 MC\_DQ28 15D8> 24C5> 25C4<  
 MC\_DQ29 15D8> 24D5> 25C4<  
 MC\_DQ30 15D8> 24D5> 25C4<  
 MC\_DQ31 15D8> 24D5> 25C4<  
 MC\_RAS\_N 15B5> 24B8< 25B8<  
 MC\_RDQS0 24B4> 25B4> 15B8<  
 MC\_RDQS1 24B4> 25B4> 15C8<  
 MC\_RDQS2 24C4> 25C4> 15C8<  
 MC\_RDQS3 24C4> 25C4> 15D8<  
 MC\_WDQS0 15B8> 24B4< 25B4<  
 MC\_WDQS1 15C8> 24B4< 25B4<  
 MC\_WDQS2 15C8> 24C4< 25C4<  
 MC\_WDQS3 15D8> 24C4< 25C4<  
 MC\_WE\_N 15B5> 24B8< 25B8<  
 MD\_A<11.0> 26C8> 27C8<  
 MD\_A<12.0> 15C1>  
 MD\_BA<2.0> 15C1> 26C8> 27B8<  
 MD\_CAS\_N 15B1> 26B8< 27B8<  
 MD\_CKE 15C1> 26B8< 27B8<  
 MD\_CLK0\_DN 15C1> 26C8<  
 MD\_CLK0\_DP 15C1> 26D8<  
 MD\_CLK1\_DN 15C1> 27C8<  
 MD\_CLK1\_DP 15D1> 27D8<

MD\_CS0\_N 15B1> 26B8<  
 MD\_CS1\_N 15B1> 27B8<  
 MD\_DM0 15B4> 26B5< 27B5<  
 MD\_DM1 15C4> 26B5< 27B5<  
 MD\_DM2 15C4> 26C5< 27C5<  
 MD\_DM3 15D4> 26C5< 27C5<  
 MD\_DQ0 15B4> 26B5> 27B5>  
 MD\_DQ1 15B4> 26B5> 27B5>  
 MD\_DQ2 15B4> 26B5> 27B5>  
 MD\_DQ3 15B4> 26B5> 27B5>  
 MD\_DQ4 15B4> 26B5> 27B5>  
 MD\_DQ5 15B4> 26B5> 27B5>  
 MD\_DQ6 15B4> 26B5> 27C5>  
 MD\_DQ7 15B4> 26B5> 27C5>  
 MD\_DQ8 15C4> 26B5> 27B5>  
 MD\_DQ9 15C4> 26B5> 27B5>  
 MD\_DQ10 15C4> 26B5> 27B5>  
 MD\_DQ11 15C4> 26B5> 27B5>  
 MD\_DQ12 15C4> 26C5> 27B5>  
 MD\_DQ13 15C4> 26C5> 27B5>  
 MD\_DQ14 15C4> 26C5> 27B5>  
 MD\_DQ15 15C4> 26C5> 27B5>  
 MD\_DQ16 15C4> 26C5> 27C5>  
 MD\_DQ17 15C4> 26C5> 27C5>  
 MD\_DQ18 15C4> 26C5> 27C5>  
 MD\_DQ19 15C4> 26C5> 27C5>  
 MD\_DQ20 15C4> 26C5> 27C5>  
 MD\_DQ21 15C4> 26C5> 27D5>  
 MD\_DQ22 15C4> 26C5> 27D5>  
 MD\_DQ23 15C4> 26C5> 27D5>  
 MD\_DQ24 15D4> 26C5> 27C5>  
 MD\_DQ25 15D4> 26C5> 27C5>  
 MD\_DQ26 15D4> 26C5> 27C5>  
 MD\_DQ27 15D4> 26D5> 27C5>  
 MD\_DQ28 15D4> 26D5> 27C5>  
 MD\_DQ29 15D4> 26D5> 27C5>  
 MD\_DQ30 15D4> 26D5> 27C5>  
 MD\_DQ31 15D4> 26D5> 27C5>  
 MD\_RAS\_N 15B1> 26B8< 27B8<  
 MD\_RDQS0 26B5> 27B5> 15B4<  
 MD\_RDQS1 26B5> 27B5> 15C4<  
 MD\_RDQS2 26C5> 27C5> 15C4<  
 MD\_RDQS3 26C5> 27C5> 15D4<  
 MD\_WDQS0 15B4> 26B5> 27B5>  
 MD\_WDQS1 15C4> 26B5> 27B5>  
 MD\_WDQS2 15C4> 26C5> 27C5>  
 MD\_WDQS3 15D4> 26C5> 27C5>  
 MD\_WE\_N 15B1> 26B8< 27B8<  
 MEMPORT1\_DN 35C4> 45B4>  
 MEMPORT1\_DP 35C4> 45B4>  
 MEMPORT2\_DN 35B4> 45C4>  
 MEMPORT2\_DP 35B4> 45C4>  
 MEM\_A\_VREF0 21A6> 20B8< 21B8<  
 MEM\_A\_VREF1 20A6> 20B8< 21B8<  
 MEM\_B\_VREF0 23A6> 22B8< 23B8<  
 MEM\_B\_VREF1 22A6> 22B8< 23B8<  
 MEM\_C\_VREF0 25A6> 24B8< 25B8<  
 MEM\_C\_VREF1 24A6> 24B8< 25B8<  
 MEM\_D\_VREF0 27A7> 26B8< 27B8<  
 MEM\_D\_VREF1 26A7> 26B8< 27B8<  
 MEM\_RST 13B3> 20C8> 21C8> 22C8> 23C8<  
 24C8< 25C8< 26C8< 27C8<  
 MEM\_SCAN\_BOT\_EN 12A1> 21B8> 23B8> 25B8> 27B8>  
 MEM\_SCAN\_BOT\_EN\_BUFF 13B3> 12A4<  
 MEM\_SCAN\_EN 12D1> 20B8> 21B8> 22B8> 23B8>  
 24B8> 25B8> 26B8> 27B8>  
 MEM\_SCAN\_EN\_BUFF 13B3> 12D4<  
 MEM\_SCAN\_TOP\_EN 12B1> 20B8> 22B8> 24B8> 26B8>  
 MEM\_SCAN\_TOP\_EN\_BUFF 13B3> 12B4<  
 MIL\_COL 19B6> 39B7> 36C8<  
 MIL\_CR0 19B6> 39B7> 36C8<  
 MIL\_MDC\_CLK\_OUT 36D2> 19B6> 39C8>  
 MIL\_MDO 19B6> 36C8> 39B8>  
 MIL\_RXD0 19B7> 39C7> 36C8<  
 MIL\_RXD1 19B6> 39C7> 36C8<  
 MIL\_RXD2 19B6> 39C7> 36C8<  
 MIL\_RXD3 19C6> 39C7> 36C8<

MIL\_RXDV 19C8> 39C7> 36C8<  
 MIL\_RXER 19C8> 39C7> 36C8<  
 MIL\_RX\_CLK 19C8> 39C7> 36D7<  
 MIL\_TXD0 36C3> 19B6< 39B7<  
 MIL\_TXD1 36C3> 19B6< 39B7<  
 MIL\_TXD2 36C3> 19B6< 39B7<  
 MIL\_TXD3 36C3> 19B6< 39C7<  
 MIL\_TXEN 39C3> 19B6< 39C7<  
 MIL\_TX\_CLK 19B6> 39C7> 36D7<  
 ODD\_RX\_DN 47A8> 36B8<  
 ODD\_RX\_DP 47A8> 36B8<  
 ODD\_TX\_DN 36B3> 47A8<  
 ODD\_TX\_DP 36B3> 47B8<  
 POEX\_CLK\_DN 46B1> 33C6<  
 POEX\_CLK\_DP 46B1> 33C6<  
 PEX\_GPU\_SB\_L0\_DN 13C1> 33C7<  
 PEX\_GPU\_SB\_L0\_DP 13D1> 33C7<  
 PEX\_GPU\_SB\_L1\_DN 13D1> 33C7<  
 PEX\_GPU\_SB\_L1\_DP 13D1> 33C7<  
 PEX\_SB\_GPU\_L0\_DN 33C1> 13D8<  
 PEX\_SB\_GPU\_L0\_DP 33C1> 13D8<  
 PEX\_SB\_GPU\_L1\_DN 33D1> 13D8<  
 PEX\_SB\_GPU\_L1\_DP 33D1> 13D8<  
 PIX\_DATA<4.0> 13C3> 29D6<  
 PSU\_V12P0\_EN 34B3> 48C5<  
 PWRSW\_N 34C3> 48B8<  
 SATA\_CLK\_DN 46B1> 33D6<  
 SATA\_CLK\_DP 46B1> 33D6<  
 SATA\_CLK\_REF 46A1> 33D6<  
 SB\_GPIO<0..15> 33B1> 33B5>  
 SB\_MAIN\_PWRGD 34B1> 34C6<  
 SB\_RST\_N 34B3> 34C6<  
 SCART\_FRGB 33B3> 43A6<  
 SMB\_CLK 34B8> 56C7> 28B6> 46B6<  
 SMB\_DATA 28B7> 34B8> 56C3> 46B6<  
 SMC\_DBG\_EN 56C8> 34C6<  
 SMC\_DBG\_TXD 34C3> 56C6<  
 SMC\_PWM0 34B3> 29B8<  
 SMC\_PWM1 34B3> 29C8<  
 SMC\_RST\_N 28D3> 34D6< 46C8> 56D3<  
 SPDIF 36C1> 43D6<  
 SPI\_CLK 56D8> 35D7<  
 SPI\_MISO 36D3> 56D8<  
 SPI\_MOSI 56D8> 35D7<  
 SPI\_SS\_N 56D8> 35D7<  
 STBY\_CLK 46A1> 34D6<  
 TILTSW\_N 42B8> 34B3<  
 TRAY\_OPEN 34D8> 47A1<  
 TRAY\_STATUS 47A4> 34C6<  
 VID\_DACA\_DP 29D3> 43D8<  
 VID\_DACA\_OUT 43D6> 43C4<  
 VID\_DACB\_DP 29D3> 43C8<  
 VID\_DACB\_OUT 43C6> 43C4<  
 VID\_DACC\_DP 29D3> 43C8<  
 VID\_DACC\_OUT 43C6> 43C4<  
 VID\_DACD\_DP 29D3> 43B8<  
 VID\_DACD\_OUT 43B6> 43B4<  
 VID\_HSYNC\_OUT 43A4> 43B4<  
 VID\_HSYNC\_OUT\_R 29C3> 43A7<  
 VID\_VSYNC\_OUT 43A6> 43B4<  
 VID\_VSYNC\_OUT\_R 29C3> 43A8<  
 VREG\_1P8\_IS2P 54D1> 54D7< 54D7<  
 VREG\_3P3\_EN\_N 34C3> 55D8<  
 VREG\_5P0\_IS1P 54B1> 54B6<  
 VREG\_5P0\_PHASE 54B1> 54D8<  
 VREG\_CPU\_DRV\_EN 50C1> 51D8<  
 VREG\_CPU\_EN 34B3> 50D7<  
 VREG\_CPU\_PHASE1 51A1> 50C8<  
 VREG\_CPU\_PHASE2 51C1> 50C8<  
 VREG\_CPU\_PHASE3 51D1> 50C8<  
 VREG\_CPU\_PWM1 50C2> 51A7<  
 VREG\_CPU\_PWM2 50C2> 51B7<  
 VREG\_CPU\_PWM3 50C2> 51D7<  
 VREG\_CPU\_PWRGD 50C2> 34C1<  
 VREG\_CPU\_VID<5..0> 49C2> 50C2<  
 VREG\_EFUSE\_EN 4D2> 55C8<  
 VREG\_GPU\_SVREF 52C3> 52C8<

VREG\_GPU\_EN\_N 34C3> 52B3<  
 VREG\_GPU\_GH1 52A1> 53C7<  
 VREG\_GPU\_GH2 52A1> 53D7<  
 VREG\_GPU\_GL1 52A1> 53B7<  
 VREG\_GPU\_GL2 52A1> 53C7<  
 VREG\_GPU\_PHASE1 52D1> 53B2> 52B8<  
 VREG\_GPU\_PHASE2 53D2> 52B8<  
 VREG\_GPU\_PWRGD 52A1> 34D1<  
 VREG\_V1P8\_EN 54A4> 54D8<  
 VREG\_V1P8\_EN\_N 34B3> 54A3<  
 VREG\_V5P0\_EN 54A4> 54B7<  
 VREG\_V5P0\_EN\_N 34B3> 54A7<  
 VREG\_V5P0\_SEL 34B3> 46A8<  
 V\_CMPAVDD33\_USB 37A7> 37C2<  
 V\_ENET 39A3> 19C3> 19C7< 39B8> 39B8<  
 39D5> 44B6<  
 V\_EXPPORT 44B7< 44D4 44D7<  
 V\_MEMPORT1 45D1>  
 V\_VREG\_CPU 49B4> 50D7< 51D5< 51D8<  
 V\_VREG\_GPU 49B1> 52D4> 52D7> 53D7<  
 V\_VREG\_V1P8V5P0 54D6> 32D4< 54B4< 54D4< 54D7<  
 54D8>  
 WSS\_CNTL0 33B2> 43B6<  
 WSS\_CNTL1 33B2> 43B6<

\*\*\* Part Cross-Reference for the entire design \*\*\*

C1A2	CAPN	44
C1A3	CAPN	44
C1A4	CAPN	44
C1A5	CAP_P	39
C1B1	CAPN	39
C1B2	CAPN	32
C1B3	CAPN	32
C1B4	CAPN	28
C1C1	CAPN	32
C1C2	CAPN	33
C1C3	CAPN	47
C1C4	CAPN	47
C1C5	CAPN	47
C1C6	CAPN	47
C1C7	CAPN	32
C1C8	CAPN	32
C1C9	CAPN	36
C1C10	CAP_P	47
C1C11	CAP_P	47
C1C12	CAPN	32
C1C13	CAPN	47
C1C14	CAPN	47
C1C15	CAPN	32
C1D1	CAPN	47
C1D2	CAPN	38
C1D3	CAPN	47
C1D4	CAPN	47
C1D6	CAPN	47
C1D7	CAPN	56
C1D8	CAPN	32
C1D9	CAP_P	47
C1D10	CAPN	32
C1D11	CAP_P	46
C1E1	CAPN	47
C1E2	CAPN	47
C1E3	CAPN	47
C1E4	CAPN	47
C1E5	CAP_P	47
C1F1	CAPN	32
C1F2	CAPN	32
C1F3	CAP_P	55
C1F4	CAP_P	45
C1F5	CAPN	55
C1F6	CAPN	45
C1G1	CAPN	32
C1M1	CAPN	44
C1M2	CAPN	44
C1N1	CAPN	39
C1N2	CAPN	39
C1N3	CAPN	39
C1N4	CAPN	39
C1N5	CAPN	39
C1N6	CAPN	19
C1N7	CAPN	19
C1N8	CAPN	19
C1N9	CAPN	39
C1N10	CAPN	39
C1N11	CAPN	39
C1N12	CAPN	32
C1N13	CAPN	32
C1N14	CAPN	19
C1P1	CAPN	38
C1P2	CAPN	38
C1P3	CAPN	38
C1P4	CAPN	38
C1P5	CAPN	38
C1P6	CAPN	38
C1P7	CAPN	38
C1P8	CAPN	38
C1P10	CAPN	38
C1P11	CAPN	38
C1P13	CAPN	29
C1R1	CAPN	47
C1R2	CAPN	56
C1R3	CAPN	46

C1R4	CAPN	47
C1T1	CAPN	47
C1T2	CAPN	47
C1T3	CAPN	47
C1T4	CAPN	47
C1T5	CAPN	47
C1T6	CAPN	53
C1U1	CAPN	55
C1U2	CAPN	45
C2A1	CAPN	43
C2A2	CAPN	43
C2A3	CAPN	43
C2A4	CAP_P	44
C2A5	CAPN	43
C2A6	CAPN	43
C2A7	CAPN	40
C2A8	CAPN	43
C2B1	CAPN	40
C2B2	CAPN	40
C2B3	CAPN	40
C2B4	CAPN	40
C2B5	CAPN	40
C2B6	CAPN	40
C2B7	CAPN	40
C2B8	CAPN	40
C2B9	CAPN	40
C2B10	CAPN	40
C2B11	CAPN	40
C2B12	CAPN	56
C2B13	CAPN	56
C2B14	CAPN	28
C2B15	CAPN	56
C2B16	CAPN	33
C2B17	CAPN	28
C2C1	CAPN	33
C2C2	CAPN	33
C2C3	CAPN	33
C2C4	CAPN	33
C2C5	CAPN	55
C2C6	CAPN	55
C2D1	CAPN	26
C2D2	CAPN	26
C2D3	CAPN	24
C2D4	CAPN	26
C2D5	CAPN	12
C2D6	CAP_P	53
C2E1	CAPN	24
C2E2	CAPN	26
C2E3	CAPN	24
C2E4	CAPN	12
C2E5	CAPN	41
C2E6	CAPN	41
C2E7	CAP_P	53
C2E8	CAPN	24
C2F2	CAPN	32
C2F3	CAP_P	54
C2G1	CAPN	32
C2G2	CAP_P	45
C2G3	CAPN	45
C2M1	CAPN	43
C2M2	CAPN	43
C2M3	CAPN	43
C2M4	CAPN	43
C2M5	CAPN	43
C2N1	CAPN	37
C2N2	CAPN	35
C2P1	CAPN	38
C2P2	CAPN	37
C2P3	CAPN	37
C2P4	CAPN	38
C2P5	CAPN	37
C2P6	CAPN	37
C2P8	CAPN	37
C2P9	CAPN	38
C2P10	CAPN	38
C2P11	CAPN	38
C2P12	CAPN	38

C2P13	CAPN	38
C2P14	CAPN	38
C2P15	CAPN	38
C2P16	CAPN	38
C2P17	CAPN	38
C2P18	CAPN	33
C2P19	CAPN	38
C2P20	CAPN	38
C2P21	CAPN	38
C2P22	CAPN	38
C2P23	CAPN	37
C2P24	CAPN	37
C2P25	CAPN	33
C2P26	CAPN	38
C2P27	CAPN	38
C2P28	CAPN	38
C2P29	CAPN	38
C2P30	CAPN	38
C2P31	CAPN	38
C2P32	CAPN	38
C2P33	CAPN	38
C2P34	CAPN	37
C2P35	CAPN	37
C2P37	CAPN	37
C2P38	CAPN	37
C2P39	CAPN	38
C2P40	CAPN	35
C2P41	CAPN	37
C2P42	CAPN	37
C2P43	CAPN	37
C2P44	CAPN	37
C2P45	CAPN	37
C2P46	CAPN	37
C2P47	CAPN	37
C2P48	CAPN	37
C2P50	CAPN	29
C2P51	CAPN	34
C2P52	CAPN	38
C2R1	CAPN	29
C2R2	CAPN	29
C2R3	CAPN	37
C2R4	CAPN	53
C2R5	CAPN	37
C2R6	CAPN	37
C2R7	CAPN	27
C2R8	CAPN	27
C2R9	CAPN	24
C2R10	CAPN	27
C2R11	CAPN	41
C2R12	CAPN	12
C2R13	CAPN	27
C2T1	CAPN	25
C2T2	CAPN	26
C2T3	CAPN	25
C2T4	CAPN	32
C2T5	CAPN	53
C2T6	CAPN	27
C2T7	CAPN	27
C2V1	CAPN	42
C2V2	CAPN	42
C3A1	CAPN	43
C3A2	CAPN	43
C3A3	CAPN	43
C3A4	CAPN	43
C3A5	CAPN	43
C3A6	CAPN	43
C3A7	CAPN	42
C3B3	CAPN	30
C3B4	CAPN	46
C3B5	CAPN	56
C3B8	CAPN	30
C3B9	CAPN	30
C3B12	CAPN	28
C3B13	CAPN	46
C3B14	CAPN	46
C3C1	CAPN	55
C3C2	CAPN	13

C3C3	CAPN	46
C3C4	CAPN	46
C3C5	CAPN	24
C3D1	CAPN	26
C3D2	CAPN	26
C3D3	CAPN	25
C3D4	CAPN	26
C3D5	CAPN	26
C3D6	CAPN	26
C3E1	CAPN	24
C3E2	CAPN	24
C3E3	CAPN	24
C3E4	CAPN	27
C3E5	CAPN	24
C3E6	CAPN	24
C3E7	CAPN	24
C3E8	CAPN	27
C3F1	CAPN	20
C3F2	CAP_P	54
C3F3	CAPN	20
C3F5	CAPN	27
C3F6	CAPN	54
C3G3	CAPN	32
C3M1	CAPN	42
C3N1	CAPN	32
C3N2	CAPN	32
C3N3	CAPN	46
C3N4	CAPN	35
C3N8	CAPN	46
C3N9	CAPN	46
C3N10	CAPN	29
C3P1	CAPN	46
C3P2	CAPN	46
C3P4	CAPN	46
C3P5	CAPN	46
C3P6	CAPN	46
C3P7	CAPN	46
C3P8	CAPN	46
C3R1	CAPN	27
C3R2	CAPN	27
C3R3	CAPN	26
C3R4	CAPN	27
C3R5	CAPN	15
C3R6	CAPN	27
C3R7	CAPN	27
C3T1	CAPN	25
C3T2	CAPN	25
C3T3	CAPN	25
C3T4	CAPN	25
C3T5	CAPN	25
C3T6	CAPN	25
C3T7	CAPN	25
C3U1	CAPN	21
C3U2	CAPN	21
C3U3	CAPN	32
C3U4	CAPN	27
C3U5	CAPN	54
C3U6	CAPN	54
C3V1	CAPN	54
C3V2	CAPN	54
C3V3	CAPN	54
C3V4	CAPN	54
C3V5	CAPN	45
C3V6	CAPN	54
C3V7	CAPN	54
C4B3	CAPN	29
C4B4	CAPN	30
C4B5	CAPN	30
C4B6	CAPN	30
C4B7	CAPN	30
C4B8	CAPN	32
C4B9	CAPN	30
C4C3	CAPN	30
C4C4	CAPN	30
C4C5	CAPN	30
C4C6	CAPN	55
C4D1	CAPN	13

C4D2 CAPN 13  
 C4D3 CAPN 13  
 C4D4 CAPN 16  
 C4D5 CAPN 16  
 C4D6 CAPN 16  
 C4F1 CAPN 20  
 C4F2 CAPN 21  
 C4F3 CAPN 20  
 C4F4 CAPN 22  
 C4F5 CAPN 22  
 C4F6 CAPN 20  
 C4F7 CAPN 20  
 C4F8 CAPN 22  
 C4F9 CAPN 20  
 C4F10 CAPN 22  
 C4F11 CAPN 20  
 C4F12 CAPN 20  
 C4F13 CAPN 32  
 C4F14 CAPN 27  
 C4F15 CAPN 27  
 C4G1 CAPN 54  
 C4N1 CAPN 32  
 C4N2 CAPN 30  
 C4N3 CAPN 30  
 C4N4 CAPN 30  
 C4N5 CAPN 30  
 C4N6 CAPN 30  
 C4N7 CAPN 30  
 C4N8 CAPN 30  
 C4N9 CAPN 30  
 C4N10 CAPN 30  
 C4N11 CAPN 30  
 C4N12 CAPN 30  
 C4N13 CAPN 30  
 C4N14 CAPN 30  
 C4N15 CAPN 30  
 C4N16 CAPN 30  
 C4N17 CAPN 30  
 C4N18 CAPN 30  
 C4N19 CAPN 30  
 C4N20 CAPN 42  
 C4N21 CAPN 30  
 C4N22 CAPN 30  
 C4N23 CAPN 30  
 C4N24 CAPN 29  
 C4N25 CAPN 42  
 C4N26 CAPN 30  
 C4N27 CAPN 32  
 C4N28 CAPN 28  
 C4P1 CAPN 30  
 C4P2 CAPN 29  
 C4P3 CAPN 30  
 C4P4 CAPN 30  
 C4P5 CAPN 30  
 C4P6 CAPN 28  
 C4P7 CAPN 30  
 C4P8 CAPN 30  
 C4P9 CAPN 30  
 C4P10 CAPN 30  
 C4P11 CAPN 30  
 C4P12 CAPN 29  
 C4P13 CAPN 30  
 C4R1 CAPN 13  
 C4R2 CAPN 13  
 C4R3 CAPN 14  
 C4R4 CAPN 16  
 C4R5 CAPN 16  
 C4R6 CAPN 16  
 C4R7 CAPN 16  
 C4R8 CAPN 16  
 C4R9 CAPN 18  
 C4R10 CAPN 15  
 C4R11 CAPN 18  
 C4R12 CAPN 15  
 C4R13 CAPN 18  
 C4R14 CAPN 18  
 C4R15 CAPN 15

CHR16 CAPN 18  
 CHR17 CAPN 18  
 CHR18 CAPN 18  
 CHR19 CAPN 15  
 CHR20 CAPN 18  
 CHR21 CAPN 18  
 CHR22 CAPN 18  
 CHR23 CAPN 15  
 CHR24 CAPN 18  
 CHR25 CAPN 15  
 CHR26 CAPN 13  
 CHR27 CAPN 12  
 CHR28 CAPN 18  
 CHR29 CAPN 18  
 CHR30 CAPN 18  
 CHR31 CAPN 15  
 CHR32 CAPN 15  
 CHR33 CAPN 12  
 CHR34 CAPN 18  
 CHR35 CAPN 18  
 CHR36 CAPN 18  
 CHR37 CAPN 18  
 CHR38 CAPN 15  
 CHR39 CAPN 18  
 CHR40 CAPN 18  
 CHR41 CAPN 18  
 CHR42 CAPN 18  
 CHR43 CAPN 18  
 CHR44 CAPN 18  
 CHR45 CAPN 12  
 CHR46 CAPN 18  
 CHR47 CAPN 18  
 CHR48 CAPN 15  
 CHR49 CAPN 18  
 CHR50 CAPN 15  
 CHR51 CAPN 15  
 CHR52 CAPN 18  
 CHR53 CAPN 18  
 CHR54 CAPN 18  
 CHR55 CAPN 18  
 CHR56 CAPN 18  
 CHR57 CAPN 18  
 CHR58 CAPN 18  
 CHR59 CAPN 18  
 CHR60 CAPN 12  
 CHR61 CAPN 15  
 CHR62 CAPN 18  
 CHR63 CAPN 18  
 CHR64 CAPN 15  
 CHR65 CAPN 12  
 CHR66 CAPN 15  
 CHR67 CAPN 18  
 CHR68 CAPN 16  
 CHR69 CAPN 18  
 CAT1 CAPN 18  
 CAT2 CAPN 18  
 CAT3 CAPN 18  
 CAT4 CAPN 18  
 CAT5 CAPN 18  
 CAT6 CAPN 18  
 CAT7 CAPN 15  
 CAT8 CAPN 18  
 CAT9 CAPN 18  
 CAT10 CAPN 18  
 CAT11 CAPN 18  
 CAT12 CAPN 15  
 CAT13 CAPN 12  
 CAT14 CAPN 15  
 CAT15 CAPN 18  
 CAT16 CAPN 18  
 CAT17 CAPN 18  
 CAT18 CAPN 18  
 CAT19 CAPN 18  
 CAT20 CAPN 18  
 CAT21 CAPN 18  
 CAT22 CAPN 12  
 CAT23 CAPN 18

CAT24 CAPN 18  
 CAT25 CAPN 18  
 CAT26 CAPN 18  
 CAT27 CAPN 14  
 CAT28 CAPN 15  
 CAT29 CAPN 14  
 CAT30 CAPN 16  
 CAT31 CAPN 14  
 CAT32 CAPN 14  
 CAT33 CAPN 14  
 CAT34 CAPN 14  
 CAT35 CAPN 14  
 CAT36 CAPN 15  
 CAT37 CAPN 16  
 CAT38 CAPN 15  
 CAT39 CAPN 14  
 CAT40 CAPN 14  
 CAT41 CAPN 14  
 CAT42 CAPN 14  
 CAT43 CAPN 14  
 CAT44 CAPN 14  
 CAT45 CAPN 14  
 CAT46 CAPN 14  
 CAT47 CAPN 14  
 CAT48 CAPN 16  
 CAU1 CAPN 21  
 CAU2 CAPN 21  
 CAU3 CAPN 23  
 CAU4 CAPN 23  
 CAU5 CAPN 21  
 CAU6 CAPN 21  
 CAU7 CAPN 23  
 CAU8 CAPN 21  
 CAU9 CAPN 20  
 CAU10 CAPN 23  
 CAU11 CAPN 21  
 CAU12 CAPN 27  
 CAV2 CAPN 54  
 CAV3 CAPN 54  
 CAV4 CAPN 54  
 CAV5 CAPN 54  
 CAV6 CAPN 45  
 CSB1 CAPN 55  
 CSB2 CAP\_P 55  
 CSB3 CAPN 55  
 CSB4 CAP\_P 55  
 CSB5 CAPN 55  
 CSB6 CAPN 55  
 CSB7 CAP\_P 48  
 CSC3 CAPN 13  
 CSC4 CAP\_P 49  
 CSC5 CAPN 55  
 CSO6 CAPN 29  
 CSO1 CAPN 13  
 CSO2 CAPN 18  
 CSO3 CAPN 18  
 CSO4 CAPN 18  
 CSO5 CAPN 18  
 CSO6 CAPN 18  
 CSE1 CAPN 14  
 CSF1 CAPN 23  
 CSF2 CAPN 22  
 CSF3 CAPN 22  
 CSF4 CAPN 22  
 CSF5 CAPN 22  
 CSF6 CAPN 22  
 CSF8 CAP\_P 54  
 CSG1 CAPN 32  
 CSG2 CAPN 54  
 CSG3 CAPN 32  
 CSG4 CAP\_P 45  
 CSG5 CAPN 32  
 CSG6 CAPN 45  
 CSN1 CAPN 32  
 CSN2 CAPN 32  
 CSP1 CAPN 55  
 CSR1 CAPN 18

CSR2 CAPN 18  
 CSR3 CAPN 18  
 CSR4 CAPN 18  
 CSR5 CAPN 18  
 CSR6 CAPN 18  
 CSR7 CAPN 16  
 CSR8 CAPN 18  
 CSR9 CAPN 18  
 CSR10 CAPN 18  
 CSR11 CAPN 18  
 CSR12 CAPN 18  
 CSR13 CAPN 16  
 CSR14 CAPN 18  
 CSR15 CAPN 16  
 CSR16 CAPN 18  
 CSR17 CAPN 18  
 CSR18 CAPN 12  
 CSR19 CAPN 16  
 CSR20 CAPN 18  
 CST1 CAPN 14  
 CST2 CAPN 14  
 CST3 CAPN 14  
 CST4 CAPN 14  
 CSU1 CAPN 23  
 CSU2 CAPN 23  
 CSU3 CAPN 23  
 CSU4 CAPN 23  
 CSU5 CAPN 22  
 CSV1 CAPN 32  
 CGB1 CAPN 32  
 CGB2 CAPN 53  
 CGB3 CAP\_P 49  
 CGB4 CAPN 53  
 CGB5 CAPN 49  
 CSC1 CAP\_P 49  
 CEC2 CAP\_P 49  
 CEC3 CAP\_P 49  
 C6D1 CAPN 6  
 C6D4 CAPN 6  
 C6E1 CAPN 18  
 C6E2 CAPN 18  
 C6F1 CAPN 4  
 C6F3 CAP\_P 54  
 C6F7 CAPN 54  
 C6G1 CAPN 54  
 C6G2 CAPN 48  
 C6G3 CAPN 48  
 C6G4 CAPN 48  
 C6G5 CAP\_P 48  
 C6N1 CAPN 32  
 C6N2 CAPN 49  
 C6P1 CAPN 55  
 C6R1 CAPN 55  
 C6R2 CAPN 6  
 C6R3 CAPN 6  
 C6R4 CAPN 6  
 C6R5 CAPN 6  
 C6R6 CAPN 5  
 C6R7 CAPN 11  
 C6R8 CAPN 11  
 C6R9 CAPN 11  
 C6R10 CAPN 11  
 C6R11 CAPN 10  
 C6R12 CAPN 11  
 C6R13 CAPN 11  
 C6R14 CAPN 5  
 C6R15 CAPN 11  
 C6R16 CAPN 10  
 C6R17 CAPN 10  
 C6R18 CAPN 10  
 C6R19 CAPN 10  
 C6R20 CAPN 10  
 C6R21 CAPN 10  
 C6R22 CAPN 10  
 C6R23 CAPN 10  
 C6R24 CAPN 11  
 C6R25 CAPN 5

06R26 CAPN 11  
 06R27 CAPN 10  
 06R28 CAPN 10  
 06R29 CAPN 10  
 06R30 CAPN 10  
 06R31 CAPN 10  
 06R32 CAPN 10  
 06R33 CAPN 10  
 06R34 CAPN 10  
 06R35 CAPN 10  
 06R36 CAPN 10  
 06R37 CAPN 5  
 06R38 CAPN 10  
 06R39 CAPN 10  
 06R40 CAPN 10  
 06R41 CAPN 11  
 06R42 CAPN 10  
 06R43 CAPN 10  
 06R44 CAPN 10  
 06R45 CAPN 10  
 06R46 CAPN 4  
 06R47 CAPN 18  
 06T1 CAPN 10  
 06T2 CAPN 10  
 06T3 CAPN 11  
 06T4 CAPN 10  
 06T5 CAPN 10  
 06T6 CAPN 10  
 06T7 CAPN 5  
 06T8 CAPN 11  
 06T9 CAPN 11  
 06T10 CAPN 10  
 06T11 CAPN 11  
 06T12 CAPN 11  
 06T13 CAPN 11  
 06T14 CAPN 11  
 06T15 CAPN 11  
 06T16 CAPN 11  
 06T17 CAPN 11  
 06T18 CAPN 11  
 06T19 CAPN 5  
 06T20 CAPN 11  
 06T21 CAPN 11  
 06T22 CAPN 11  
 06T23 CAPN 10  
 06T24 CAPN 11  
 06T25 CAPN 10  
 06T26 CAPN 10  
 06T27 CAPN 5  
 06T28 CAPN 11  
 06T29 CAPN 11  
 06T30 CAPN 11  
 06T31 CAPN 57  
 06T32 CAPN 5  
 06T33 CAPN 5  
 06T34 CAPN 57  
 06T35 CAPN 57  
 06T36 CAPN 57  
 06U1 CAPN 54  
 06V1 CAPN 54  
 06V10 CAPN 48  
 06V11 CAPN 48  
 06V12 CAPN 48  
 06V15 CAPN 48  
 C7B1 CAPN 32  
 C7B2 CAPN 53  
 C7B3 CAP\_P 49  
 C7B4 CAPN 49  
 C7C1 CAP\_P 49  
 C7C2 CAP\_P 49  
 C7D1 CAPN 6  
 C7D2 CAPN 6  
 C7D3 CAPN 9  
 C7D4 CAPN 9  
 C7D5 CAPN 9  
 C7D6 CAPN 9  
 C7D7 CAPN 9

C7D8 CAPN 9  
 C7D9 CAPN 9  
 C7D10 CAPN 9  
 C7D11 CAPN 9  
 C7D12 CAPN 9  
 C7D13 CAPN 9  
 C7D14 CAPN 9  
 C7D15 CAPN 9  
 C7D16 CAPN 9  
 C7D17 CAPN 9  
 C7D18 CAPN 9  
 C7D19 CAPN 9  
 C7D20 CAPN 9  
 C7D21 CAPN 9  
 C7D22 CAPN 9  
 C7D23 CAPN 56  
 C7E1 CAPN 9  
 C7E2 CAPN 9  
 C7E3 CAPN 9  
 C7E4 CAPN 9  
 C7E5 CAPN 9  
 C7E6 CAPN 9  
 C7E7 CAPN 9  
 C7E8 CAPN 9  
 C7E9 CAPN 9  
 C7E10 CAPN 9  
 C7E11 CAPN 9  
 C7E12 CAPN 9  
 C7E13 CAPN 49  
 C7E14 CAPN 9  
 C7E15 CAPN 9  
 C7E16 CAPN 9  
 C7F1 CAP\_P 54  
 C7F2 CAP\_P 54  
 C7G1 CAP\_P 50  
 C7G2 CAPN 32  
 C7G3 CAPN 56  
 C7G4 CAPN 56  
 C7N1 CAPN 32  
 C7N2 CAPN 32  
 C7N3 CAPN 49  
 C7P1 CAPN 55  
 C7R1 CAPN 6  
 C7R2 CAPN 9  
 C7R3 CAPN 9  
 C7R4 CAPN 9  
 C7R5 CAPN 9  
 C7R6 CAPN 9  
 C7R7 CAPN 6  
 C7R8 CAPN 11  
 C7R9 CAPN 11  
 C7R10 CAPN 9  
 C7R11 CAPN 9  
 C7R12 CAPN 9  
 C7R13 CAPN 9  
 C7R14 CAPN 11  
 C7R15 CAPN 11  
 C7R16 CAPN 9  
 C7R17 CAPN 11  
 C7R18 CAPN 11  
 C7R19 CAPN 10  
 C7R20 CAPN 11  
 C7R21 CAPN 11  
 C7R22 CAPN 10  
 C7R23 CAPN 10  
 C7R24 CAPN 10  
 C7R25 CAPN 10  
 C7R26 CAPN 9  
 C7R27 CAPN 9  
 C7R28 CAPN 9  
 C7R29 CAPN 6  
 C7R30 CAPN 9  
 C7R31 CAPN 11  
 C7R32 CAPN 11  
 C7R33 CAPN 11  
 C7R34 CAPN 10  
 C7R35 CAPN 10

C7R36 CAPN 10  
 C7R37 CAPN 10  
 C7R38 CAPN 10  
 C7R39 CAPN 11  
 C7R40 CAPN 11  
 C7R41 CAPN 11  
 C7R42 CAPN 11  
 C7R43 CAPN 10  
 C7R44 CAPN 10  
 C7R45 CAPN 10  
 C7R46 CAPN 10  
 C7R47 CAPN 10  
 C7R48 CAPN 10  
 C7R49 CAPN 10  
 C7R50 CAPN 10  
 C7R51 CAPN 10  
 C7R52 CAPN 10  
 C7R53 CAPN 10  
 C7R54 CAPN 10  
 C7R55 CAPN 10  
 C7R56 CAPN 11  
 C7R57 CAPN 10  
 C7R58 CAPN 10  
 C7R59 CAPN 10  
 C7R60 CAPN 10  
 C7R61 CAPN 10  
 C7R62 CAPN 10  
 C7R63 CAPN 10  
 C7R64 CAPN 10  
 C7R65 CAPN 11  
 C7R66 CAPN 10  
 C7R67 CAPN 10  
 C7R68 CAPN 10  
 C7R69 CAPN 10  
 C7R70 CAPN 10  
 C7R71 CAPN 10  
 C7R72 CAPN 10  
 C7R73 CAPN 11  
 C7R74 CAPN 10  
 C7R75 CAPN 11  
 C7R76 CAPN 10  
 C7R77 CAPN 10  
 C7R78 CAPN 10  
 C7R79 CAPN 10  
 C7R80 CAPN 10  
 C7R81 CAPN 10  
 C7R82 CAPN 11  
 C7R83 CAPN 11  
 C7R84 CAPN 10  
 C7R85 CAPN 11  
 C7R86 CAPN 11  
 C7R88 CAPN 10  
 C7R89 CAPN 10  
 C7R90 CAPN 9  
 C7R91 CAPN 9  
 C7R92 CAPN 9  
 C7R93 CAPN 9  
 C7R94 CAPN 9  
 C7R95 CAPN 11  
 C7R96 CAPN 11  
 C7R97 CAPN 11  
 C7R98 CAPN 11  
 C7R99 CAPN 10  
 C7R100 CAPN 10  
 C7R101 CAPN 11  
 C7R102 CAPN 10  
 C7R103 CAPN 11  
 C7R104 CAPN 11  
 C7R105 CAPN 11  
 C7R106 CAPN 11  
 C7R107 CAPN 11  
 C7R108 CAPN 11  
 C7R109 CAPN 11  
 C7R110 CAPN 10  
 C7R111 CAPN 10  
 C7R112 CAPN 4  
 C7R113 CAPN 4

C7R114 CAPN 6  
 C7R115 CAPN 6  
 C7R116 CAPN 6  
 C7R117 CAPN 9  
 C7R118 CAPN 9  
 C7R119 CAPN 9  
 C7R120 CAPN 9  
 C7R121 CAPN 9  
 C7R122 CAPN 9  
 C7T1 CAPN 9  
 C7T2 CAPN 10  
 C7T3 CAPN 10  
 C7T4 CAPN 11  
 C7T5 CAPN 10  
 C7T8 CAPN 10  
 C7T9 CAPN 10  
 C7T10 CAPN 10  
 C7T11 CAPN 11  
 C7T12 CAPN 11  
 C7T13 CAPN 11  
 C7T14 CAPN 11  
 C7T15 CAPN 10  
 C7T16 CAPN 11  
 C7T17 CAPN 11  
 C7T18 CAPN 11  
 C7T19 CAPN 10  
 C7T20 CAPN 10  
 C7T21 CAPN 10  
 C7T22 CAPN 10  
 C7T23 CAPN 11  
 C7T24 CAPN 11  
 C7T25 CAPN 11  
 C7T26 CAPN 11  
 C7T27 CAPN 10  
 C7T28 CAPN 11  
 C7T29 CAPN 11  
 C7T30 CAPN 11  
 C7T31 CAPN 11  
 C7T32 CAPN 9  
 C7T33 CAPN 9  
 C7T34 CAPN 9  
 C7T35 CAPN 9  
 C7T36 CAPN 9  
 C7T37 CAPN 10  
 C7T38 CAPN 11  
 C7T39 CAPN 11  
 C7T40 CAPN 11  
 C7T41 CAPN 11  
 C7T42 CAPN 11  
 C7T43 CAPN 11  
 C7T44 CAPN 11  
 C7T45 CAPN 9  
 C7T46 CAPN 11  
 C7T47 CAPN 11  
 C7T48 CAPN 11  
 C7T49 CAPN 11  
 C7T50 CAPN 11  
 C7T51 CAPN 11  
 C7T52 CAPN 11  
 C7T53 CAPN 11  
 C7T54 CAPN 11  
 C7T55 CAPN 11  
 C7T56 CAPN 11  
 C7T57 CAPN 11  
 C7T58 CAPN 11  
 C7T59 CAPN 11  
 C7T60 CAPN 11  
 C7T61 CAPN 11  
 C7T62 CAPN 11  
 C7T63 CAPN 11  
 C7T64 CAPN 11  
 C7T65 CAPN 11  
 C7T66 CAPN 11  
 C7T67 CAPN 11  
 C7T68 CAPN 11  
 C7T69 CAPN 10  
 C7T70 CAPN 10

C7T71 CAPN 10  
 C7T72 CAPN 10  
 C7T73 CAPN 10  
 C7T74 CAPN 10  
 C7T75 CAPN 10  
 C7T76 CAPN 9  
 C7T77 CAPN 9  
 C7T78 CAPN 9  
 C7T79 CAPN 9  
 C7T80 CAPN 11  
 C7T81 CAPN 10  
 C7T82 CAPN 10  
 C7T83 CAPN 9  
 C7T84 CAPN 9  
 C7T85 CAPN 9  
 C7T86 CAPN 9  
 C7T87 CAPN 9  
 C7T88 CAPN 9  
 C7T89 CAPN 57  
 C7T90 CAPN 57  
 C7T91 CAPN 57  
 C7T92 CAPN 57  
 C7T93 CAPN 9  
 C7T94 CAPN 9  
 C7T95 CAPN 9  
 C7T96 CAPN 9  
 C7T97 CAPN 9  
 C7T98 CAPN 55  
 C7T99 CAPN 55  
 C7T100 CAPN 55  
 C7T101 CAPN 9  
 C7U1 CAPN 50  
 C7U2 CAPN 50  
 C7U3 CAPN 50  
 C7U4 CAPN 50  
 C7V1 CAPN 50  
 C7V2 CAPN 54  
 C8A1 CAPN 48  
 C8A2 CAPN 48  
 C8B1 CAP\_P 48  
 C8B2 CAPN 49  
 C8B3 CAPN 52  
 C8B4 CAPN 49  
 C8B6 CAPN 53  
 C8B7 CAPN 52  
 C8B8 CAPN 52  
 C8C1 CAP\_P 49  
 C8D1 CAP\_P 49  
 C8D4 CAP\_P 49  
 C8E3 CAP\_P 49  
 C8E8 CAP\_P 49  
 C8F1 CAP\_P 49  
 C8F2 CAP\_P 49  
 C8F3 CAP\_P 49  
 C8G1 CAPN 50  
 C8G2 CAPN 32  
 C8N1 CAPN 52  
 C8N2 CAPN 52  
 C8N3 CAPN 52  
 C8N4 CAPN 52  
 C8N5 CAPN 52  
 C8P1 CAPN 52  
 C8P2 CAPN 52  
 C8P3 CAPN 52  
 C8P4 CAPN 52  
 C8P5 CAPN 56  
 C8U1 CAPN 50  
 C8U2 CAPN 50  
 C8U3 CAPN 50  
 C8V1 CAPN 50  
 C8V14 CAPN 45  
 C8A1 CAPN 48  
 C8A2 CAPN 48  
 C8A3 CAPN 56  
 C8A4 CAPN 48  
 C8A5 CAPN 48  
 C8A6 CAPN 48

C9B1 CAP\_P 48  
 C9B2 CAPN 49  
 C9B3 CAPN 52  
 C9B4 CAPN 49  
 C9C1 CAP\_P 49  
 C9C2 CAPN 52  
 C9C3 CAPN 49  
 C9C4 CAP\_P 49  
 C9C5 CAPN 51  
 C9C7 CAPN 32  
 C9D1 CAPN 51  
 C9D2 CAP\_P 49  
 C9D3 CAPN 51  
 C9D4 CAPN 51  
 C9E1 CAPN 51  
 C9E2 CAPN 32  
 C9E3 CAP\_P 49  
 C9E4 CAPN 51  
 C9F1 CAPN 51  
 C9F2 CAPN 32  
 C9F3 CAPN 51  
 C9F4 CAPN 51  
 C9G1 CAPN 45  
 C9G2 CAP\_P 45  
 C9G3 CAP\_P 45  
 C9G4 CAPN 45  
 C9N1 CAPN 32  
 C9P1 CAPN 52  
 C9P2 CAPN 51  
 C9P3 CAPN 51  
 C9P4 CAPN 51  
 C9T1 CAPN 51  
 C9T2 CAPN 51  
 C9T3 CAPN 51  
 C9U1 CAPN 51  
 C9U2 CAPN 51  
 C9U3 CAPN 51  
 C9V3 CAPN 45  
 CR1D1 MBT3904DUAL 46  
 CR1D2 DIOSOT23S 47  
 CR1D3 DIOSOT23S 47  
 CR2A1 MBT3904DUAL 43  
 CR2N1 MBT3904DUAL 40  
 CR4N1 DIOSOT23S 55  
 CR4P2 DIOSOT23S 55  
 CR6T1 MBT3904DUAL 55  
 D1A1 DIOSOT23S 44  
 D1A2 DIOSOT23S 44  
 D1B1 DIOSOT23S 44  
 D1E1 DIOSOT23S 47  
 D1E2 DIOSOT23S 47  
 D1E3 DIOSOT23S 47  
 D1E4 DIOSOT23S 47  
 D2A1 DIOSOT23S 43  
 D2A2 DIOSOT23S 43  
 D2M2 DIOSOT23S 35  
 D2M3 DIOSOT23S 35  
 D3A1 DIODE 42  
 D3A2 DIOSOT23S 43  
 D3A3 DIOSOT23S 43  
 D3A4 DIOSOT23S 43  
 D3B1 DIODE 42  
 D3M2 DIOSOT23S 43  
 D3M3 DIOSOT23S 43  
 D4V1 ZENER 54  
 D4V2 DIOSOT23S 54  
 D8B1 ZENER 52  
 D8B2 DIODE 52  
 D8B3 DIOSOT23S 52  
 D8B4 LED 56  
 D9C1 DIODE 51  
 D9E1 DIODE 51  
 D9F1 DIODE 51  
 D9G1 DIOSOT23S 45  
 D9G2 DIOSOT23S 45  
 D9V1 DIOSOT23S 45  
 D9V2 DIOSOT23S 45

DB1N1 DBPAD 19  
 DB1N3 DBPAD 39  
 DB1N4 DBPAD 39  
 DB1N5 DBPAD 33  
 DB1P1 DBPAD 33  
 DB1P2 DBPAD 33  
 DB2N3 DBPAD 33  
 DB2N4 DBPAD 33  
 DB2N5 DBPAD 33  
 DB2N6 DBPAD 33  
 DB2N7 DBPAD 33  
 DB2N8 DBPAD 33  
 DB2N9 DBPAD 33  
 DB2N10 DBPAD 33  
 DB2N11 DBPAD 33  
 DB2N12 DBPAD 33  
 DB2P1 DBPAD 33  
 DB2P2 DBPAD 33  
 DB2P3 DBPAD 33  
 DB2P4 DBPAD 33  
 DB2P5 DBPAD 33  
 DB2P6 DBPAD 33  
 DB2P7 DBPAD 33  
 DB2P8 DBPAD 34  
 DB2P9 DBPAD 34  
 DB2P15 DBPAD 33  
 DB3B1 DBPAD 28  
 DB3B2 DBPAD 28  
 DB3B3 DBPAD 28  
 DB3B4 DBPAD 28  
 DB3C1 DBPAD 28  
 DB3C2 DBPAD 28  
 DB3C3 DBPAD 28  
 DB3C4 DBPAD 28  
 DB3F1 DBPAD 54  
 DB3N2 DBPAD 28  
 DB3N3 DBPAD 28  
 DB4D1 DBPAD 13  
 DB4N4 DBPAD 28  
 DB4P1 DBPAD 29  
 DB4P2 DBPAD 29  
 DB4P3 DBPAD 29  
 DB5P1 DBPAD 29  
 DB5P2 DBPAD 29  
 DB5E1 DBPAD 31  
 DB5E2 DBPAD 31  
 DB5E3 DBPAD 31  
 DB5G1 DBPAD 54  
 DB7R1 DBPAD 4  
 DB7U3 DBPAD 50  
 DB8M1 DBPAD 48  
 DB8M2 DBPAD 48  
 DB8M3 DBPAD 48  
 DB8P1 DBPAD 49  
 DB8P2 DBPAD 49  
 EG1A1 ESDGUARD 44  
 EG1A2 ESDGUARD 44  
 EG1E1 ESDGUARD 47  
 EG1E2 ESDGUARD 47  
 EG1E3 ESDGUARD 47  
 EG1E4 ESDGUARD 47  
 EG2B1 ESDGUARD 40  
 EG2B2 ESDGUARD 40  
 EG2G1 ESDGUARD 45  
 EG3G1 ESDGUARD 45  
 EG4G1 ESDGUARD 45  
 EG4G2 ESDGUARD 45  
 EG9G1 ESDGUARD 45  
 EG9G2 ESDGUARD 45  
 EG9V1 ESDGUARD 45  
 EG9V2 ESDGUARD 45  
 FB1B1 FERRITE 39  
 FB1N1 FERRITE 19  
 FB1P1 FERRITE 38  
 FB1P2 FERRITE 38  
 FB1P3 FERRITE 38  
 FB1P4 FERRITE 38

FB2A1 FERRITE 40  
 FB2A2 FERRITE 40  
 FB2N1 FERRITE 35  
 FB2P1 FERRITE 37  
 FB2P2 FERRITE 38  
 FB2P3 FERRITE 37  
 FB2P4 FERRITE 37  
 FB2P5 FERRITE 37  
 FB2R1 FERRITE 37  
 FB3B2 FERRITE 30  
 FB3P1 FERRITE 46  
 FB3P2 FERRITE 46  
 FB4C2 FERRITE 30  
 FB4D1 FERRITE 16  
 FB4N1 FERRITE 30  
 FB4N2 FERRITE 30  
 FB4N3 FERRITE 30  
 FB4N4 FERRITE 30  
 FB4P1 FERRITE 30  
 FB4R1 FERRITE 16  
 FB4T1 FERRITE 16  
 FB5G1 FERRITE 45  
 FB5R1 FERRITE 16  
 FB6D1 FERRITE 6  
 FB6R1 FERRITE 6  
 FB6R2 FERRITE 6  
 FB7D1 FERRITE 6  
 FB7R1 FERRITE 6  
 FT1N1 FTPAD 33  
 FT1N2 FTPAD 44  
 FT1P1 FTPAD 46  
 FT1P2 FTPAD 46  
 FT1R1 FTPAD 46  
 FT1R2 FTPAD 46  
 FT1R3 FTPAD 41  
 FT1R4 FTPAD 41  
 FT1R5 FTPAD 41  
 FT1T1 FTPAD 41  
 FT1U1 FTPAD 55  
 FT1U2 FTPAD 34  
 FT1V1 FTPAD 45  
 FT2M1 FTPAD 40  
 FT2N1 FTPAD 40  
 FT2N2 FTPAD 40  
 FT2N3 FTPAD 28  
 FT2N4 FTPAD 46  
 FT2P1 FTPAD 40  
 FT2P2 FTPAD 28  
 FT2P3 FTPAD 52  
 FT2P4 FTPAD 28  
 FT2P5 FTPAD 34  
 FT2P6 FTPAD 52  
 FT2P7 FTPAD 28  
 FT2P8 FTPAD 35  
 FT2P9 FTPAD 35  
 FT2P10 FTPAD 34  
 FT2P11 FTPAD 4  
 FT2P12 FTPAD 4  
 FT2P13 FTPAD 13  
 FT2P14 FTPAD 13  
 FT2P15 FTPAD 34  
 FT2P16 FTPAD 50  
 FT2P17 FTPAD 50  
 FT2P18 FTPAD 54  
 FT2P19 FTPAD 54  
 FT2P20 FTPAD 35  
 FT2P21 FTPAD 35  
 FT2P22 FTPAD 35  
 FT2P23 FTPAD 35  
 FT2P24 FTPAD 34  
 FT2P25 FTPAD 34  
 FT2P26 FTPAD 55  
 FT2R1 FTPAD 34  
 FT2R2 FTPAD 46  
 FT2R3 FTPAD 41  
 FT2R4 FTPAD 41  
 FT2R5 FTPAD 41



FT2R6 FTPAD 41  
 FT2R7 FTPAD 41  
 FT2R8 FTPAD 53  
 FT2U1 FTPAD 54  
 FT3N1 FTPAD 28  
 FT3P1 FTPAD 46  
 FT3P2 FTPAD 46  
 FT3P3 FTPAD 34  
 FT3P4 FTPAD 28  
 FT4N1 FTPAD 29  
 FT4N2 FTPAD 28  
 FT4N4 FTPAD 29  
 FT4N5 FTPAD 28  
 FT4P1 FTPAD 28  
 FT4P2 FTPAD 28  
 FT4P3 FTPAD 28  
 FT5N1 FTPAD 55  
 FT5N2 FTPAD 55  
 FT5R1 FTPAD 55  
 FT5R2 FTPAD 49  
 FT6U1 FTPAD 31  
 FT6L2 FTPAD 31  
 FT6L3 FTPAD 31  
 FT6L4 FTPAD 31  
 FT6L5 FTPAD 31  
 FT6L6 FTPAD 31  
 FT6L7 FTPAD 31  
 FT6L8 FTPAD 31  
 FT6L9 FTPAD 31  
 FT6L10 FTPAD 31  
 FT6L11 FTPAD 31  
 FT6V1 FTPAD 54  
 FT7R1 FTPAD 4  
 FT7R2 FTPAD 4  
 FT7R3 FTPAD 55  
 FT7R4 FTPAD 4  
 FT7R5 FTPAD 4  
 FT7R6 FTPAD 4  
 FT7R7 FTPAD 56  
 FT7T1 FTPAD 4  
 FT7T2 FTPAD 4  
 FT7T3 FTPAD 4  
 FT7T4 FTPAD 4  
 FT7T5 FTPAD 4  
 FT7T6 FTPAD 55  
 FT7T7 FTPAD 4  
 FT7T8 FTPAD 55  
 FT7U1 FTPAD 49  
 FT8N1 FTPAD 48  
 FT8N1 FTPAD 48  
 J1A1 XENONR45USB 44  
 J1C1 1X7SATA 47  
 J1D1 2X6HDR2 47  
 J1D2 2X5HDR10 56  
 J1E1 XENONHDD 47  
 J1F1 1X6HDR 56  
 J2A1 XENONVIP 43  
 J2B1 2X7HDR14 56  
 J2D1 2X3HDR 33  
 J2D2 2X4HDR 13  
 J3A1 2X2HDR 42  
 J3G1 XENONMU 45  
 J5C1 2X3HDR 28  
 J5C2 2X3HDR 13  
 J6G1 XENONRF 48  
 J7F1 2X3HDR 4  
 J7G1 1X3HDR 56  
 J8C1 2X5HDR 56  
 J9A1 XENONPWR 48  
 J9A2 1X2HDR 56  
 J9G1 XENONGAME 45  
 L1B1 CMCHOKE 44  
 L2A1 INDUCTOR 43  
 L2F1 INDUCTOR 54  
 L2G1 CMCHOKE 45  
 L3A1 INDUCTOR 43  
 L3A2 INDUCTOR 43

L3A3 INDUCTOR 43  
 L4G1 CMCHOKE 45  
 L6C1 INDUCTOR 53  
 L6F1 INDUCTOR 54  
 L6G1 CMCHOKE 48  
 L7C1 INDUCTOR 53  
 L7F1 INDUCTOR 54  
 L8B1 INDUCTOR 49  
 L8D1 INDUCTOR 51  
 L8E1 INDUCTOR 51  
 L8F1 INDUCTOR 51  
 L9B1 INDUCTOR 49  
 L9G1 CMCHOKE 45  
 L9V1 CMCHOKE 45  
 L87G1 LABEL 58  
 MTG1B1 STD\_MTG\_HOLE 58  
 MTG1G1 STD\_MTG\_HOLE 58  
 MTG3C1 STD\_MTG\_HOLE 58  
 MTG3E1 STD\_MTG\_HOLE 58  
 MTG5B1 STD\_MTG\_HOLE 58  
 MTG5C1 STD\_MTG\_HOLE 58  
 MTG5E1 STD\_MTG\_HOLE 58  
 MTG5G1 STD\_MTG\_HOLE 58  
 MTG6C1 STD\_MTG\_HOLE 58  
 MTG6E1 STD\_MTG\_HOLE 58  
 MTG6C1 STD\_MTG\_HOLE 58  
 MTG6E1 STD\_MTG\_HOLE 58  
 MTG6B1 STD\_MTG\_HOLE 58  
 MTG6G1 STD\_MTG\_HOLE 58  
 Q1G1 NPN 29  
 Q1G2 NPN 46  
 Q1G3 PNP 29  
 Q1V1 NPN 46  
 Q2F2 FET\_P 55  
 Q2G1 FET\_VREG 54  
 Q2M1 PNP 43  
 Q2N1 PNP 40  
 Q2N2 NPN 35  
 Q3A1 NPN 42  
 Q3A2 PNP\_2C 42  
 Q3F1 FET\_VREG 54  
 Q3G1 FET 54  
 Q3M1 PNP\_2C 42  
 Q3M4 NPN 42  
 Q4G1 FET 54  
 Q6B1 FET\_VREG 53  
 Q6B2 FET\_VREG 53  
 Q6C1 FET\_VREG 53  
 Q6F1 FET\_VREG 54  
 Q6F2 FET\_VREG 54  
 Q7B1 FET\_VREG 53  
 Q7B2 FET\_VREG 53  
 Q7C1 FET\_VREG 53  
 Q8B3 FET 52  
 Q8B4 NPN 48  
 Q8B5 NPN 48  
 Q8B6 NPN 56  
 Q8C1 FET\_VREG 51  
 Q8F1 FET\_VREG 51  
 Q8N1 PNP\_2C 48  
 Q8C1 FET\_VREG 51  
 Q9D1 FET\_VREG 51  
 Q9D2 FET\_VREG 51  
 Q9D3 FET\_VREG 51  
 Q9D4 FET\_VREG 51  
 Q9E1 FET\_VREG 51  
 Q9E3 FET\_VREG 51  
 Q9F1 FET\_VREG 51  
 Q9F2 FET\_VREG 51  
 Q9F4 FET\_VREG 51  
 R1A1 RESN 39  
 R1A2 RESN 39  
 R1A3 RESN 39  
 R1A4 RESN 39  
 R1A5 RESN 44  
 R1B1 RESN 44  
 R1B2 RESN 44

R1B4 RESN 39  
 R1B5 RESN 39  
 R1B6 RESN 39  
 R1B7 RESN 39  
 R1B9 RESN 36  
 R1B10 RESN 36  
 R1B11 RESN 39  
 R1B12 RESN 19  
 R1B13 RESN 39  
 R1C1 RESN 39  
 R1C2 RESN 33  
 R1C3 RESN 36  
 R1C4 RESN 33  
 R1C5 RESN 33  
 R1C6 RESN 33  
 R1C7 RESN 33  
 R1C8 RESN 36  
 R1D2 RESN 41  
 R1D3 RESN 41  
 R1D4 RESN 41  
 R1D5 RESN 46  
 R1D6 RESN 46  
 R1E2 RESN 41  
 R1F7 RESN 55  
 R1F8 RESN 55  
 R1G1 RESN 46  
 R1G2 RESN 46  
 R1G3 RESN 42  
 R1G4 RESN 42  
 R1M1 RESN 39  
 R1M2 RESN 39  
 R1M3 RESN 44  
 R1N1 RESN 39  
 R1N2 RESN 39  
 R1N3 RESN 39  
 R1N4 RESN 39  
 R1N5 RESN 39  
 R1N6 RESN 39  
 R1N7 RESN 39  
 R1N8 RESN 19  
 R1P1 RESN 33  
 R1P2 RESN 33  
 R1P3 RESN 33  
 R1P5 RESN 33  
 R1P6 RESN 33  
 R1P7 RESN 35  
 R1R1 RESN 35  
 R1R2 RESN 46  
 R1R3 RESN 46  
 R1R4 RESN 47  
 R1R5 RESN 46  
 R1V1 RESN 46  
 R1V2 RESN 46  
 R2A1 RESN 43  
 R2A2 RESN 34  
 R2A3 RESN 43  
 R2A4 RESN 43  
 R2A5 RESN 43  
 R2A6 RESN 43  
 R2A7 RESN 43  
 R2A8 RESN 43  
 R2A9 RESN 43  
 R2A10 RESN 36  
 R2B1 RESN 40  
 R2B2 RESN 40  
 R2B3 RESN 40  
 R2B4 RESN 40  
 R2B5 RESN 40  
 R2B6 RESN 40  
 R2B7 RESN 56  
 R2B8 RESN 33  
 R2B9 RESN 33  
 R2B10 RESN 33  
 R2B11 RESN 36  
 R2B12 RESN 36  
 R2B13 RESN 36  
 R2B14 RESN 36

R2B16 RESN 34  
 R2B18 RESN 34  
 R2B19 RESN 34  
 R2C3 RESN 55  
 R2D1 RESN 41  
 R2D2 RESN 41  
 R2D3 RESN 41  
 R2D4 RESN 41  
 R2D5 RESN 41  
 R2D6 RESN 41  
 R2D7 RESN 41  
 R2D8 RESN 41  
 R2D9 RESN 13  
 R2D10 RESN 13  
 R2D11 RESN 12  
 R2D12 RESN 12  
 R2E1 RESN 13  
 R2E2 RESN 13  
 R2E3 RESN 13  
 R2E4 RESN 13  
 R2E5 RESN 12  
 R2F2 RESN 55  
 R2G2 RESN 42  
 R2G3 RESN 42  
 R2G5 RESN 45  
 R2M1 RESN 34  
 R2M2 RESN 43  
 R2M3 RESN 34  
 R2M4 RESN 43  
 R2M5 RESN 34  
 R2M6 RESN 43  
 R2M7 RESN 35  
 R2M8 RESN 35  
 R2M9 RESN 43  
 R2M10 RESN 43  
 R2M11 RESN 43  
 R2M12 RESN 40  
 R2M13 RESN 40  
 R2N1 RESN 40  
 R2N2 RESN 40  
 R2N3 RESN 40  
 R2N4 RESN 33  
 R2N5 RESN 33  
 R2N6 RESN 33  
 R2N7 RESN 42  
 R2N8 RESN 33  
 R2N9 RESN 34  
 R2N10 RESN 35  
 R2N11 RESN 35  
 R2N12 RESN 35  
 R2N13 RESN 56  
 R2N14 RESN 56  
 R2N15 RESN 34  
 R2P1 RESN 28  
 R2P2 RESN 33  
 R2P3 RESN 28  
 R2P4 RESN 34  
 R2P5 RESN 33  
 R2P6 RESN 34  
 R2P8 RESN 33  
 R2P9 RESN 33  
 R2P10 RESN 34  
 R2P11 RESN 33  
 R2P12 RESN 34  
 R2P13 RESN 34  
 R2P14 RESN 35  
 R2P15 RESN 34  
 R2P16 RESN 33  
 R2P17 RESN 38  
 R2P18 RESN 56  
 R2R1 RESN 24  
 R2R2 RESN 24  
 R2R3 RESN 25  
 R2R4 RESN 25  
 R2R5 RESN 12  
 R2R6 RESN 12  
 R2T1 RESN 12

R2T2 RESN 12  
R2T3 RESN 26  
R2T4 RESN 26  
R2T5 RESN 27  
R2T6 RESN 27  
R2T7 RESN 53  
R2T8 RESN 53  
R2U1 RESN 54  
R2V1 RESN 42  
R2V2 RESN 54  
R3A1 RESN 42  
R3A2 RESN 42  
R3A3 RESN 43  
R3A4 RESN 43  
R3A5 RESN 42  
R3A6 RESN 43  
R3A7 RESN 42  
R3A8 RESN 42  
R3B1 RESN 28  
R3B4 RESN 46  
R3B5 RESN 46  
R3B7 RESN 46  
R3B8 RESN 46  
R3B15 RESN 28  
R3B16 RESN 42  
R3C1 RESN 46  
R3C2 RESN 46  
R3C3 RESN 46  
R3C4 RESN 46  
R3C5 RESN 46  
R3C6 RESN 46  
R3C7 RESN 46  
R3C8 RESN 46  
R3C9 RESN 46  
R3C10 RESN 46  
R3C11 RESN 46  
R3C12 RESN 46  
R3C13 RESN 28  
R3C14 RESN 28  
R3C15 RESN 46  
R3C16 RESN 46  
R3C17 RESN 46  
R3C18 RESN 46  
R3C19 RESN 28  
R3C20 RESN 28  
R3C21 RESN 55  
R3C22 RESN 55  
R3C27 RESN 46  
R3C28 RESN 13  
R3D1 RESN 24  
R3D2 RESN 25  
R3D3 RESN 25  
R3D4 RESN 24  
R3D5 RESN 24  
R3E1 RESN 26  
R3E2 RESN 27  
R3E3 RESN 27  
R3E4 RESN 26  
R3E5 RESN 26  
R3F1 RESN 20  
R3G1 RESN 54  
R3G4 RESN 45  
R3G5 RESN 54  
R3G6 RESN 54  
R3G7 RESN 54  
R3M2 RESN 43  
R3M3 RESN 43  
R3M4 RESN 42  
R3M5 RESN 42  
R3N1 RESN 35  
R3N3 RESN 35  
R3N6 RESN 48  
R3N7 RESN 48  
R3P2 RESN 46  
R3P3 RESN 46  
R3P6 RESN 34  
R3P7 RESN 34

R3R1 RESN 25  
R3T1 RESN 27  
R3T2 RESN 15  
R3U1 RESN 21  
R3U2 RESN 54  
R3V1 RESN 54  
R3V2 RESN 54  
R3V3 RESN 54  
R3V4 RESN 54  
R3V5 RESN 54  
R3V6 RESN 54  
R3V7 RESN 54  
R3V8 RESN 54  
R3V9 RESN 54  
R4B2 RESN 28  
R4B3 RESN 28  
R4B7 RESN 28  
R4B8 RESN 28  
R4B9 RESN 28  
R4B10 RESN 29  
R4B11 RESN 29  
R4B12 RESN 29  
R4B13 RESN 29  
R4B14 RESN 29  
R4B15 RESN 29  
R4B16 RESN 28  
R4B17 RESN 28  
R4C1 RESN 29  
R4C2 RESN 29  
R4C3 RESN 13  
R4C4 RESN 13  
R4C5 RESN 13  
R4C6 RESN 13  
R4C7 RESN 13  
R4D1 RESN 13  
R4D2 RESN 13  
R4D3 RESN 13  
R4D4 RESN 13  
R4F1 RESN 21  
R4F2 RESN 21  
R4F3 RESN 20  
R4F4 RESN 20  
R4F5 RESN 22  
R4F6 RESN 13  
R4F7 RESN 12  
R4F8 RESN 12  
R4G1 RESN 54  
R4G2 RESN 54  
R4G3 RESN 54  
R4G4 RESN 45  
R4G5 RESN 45  
R4G6 RESN 54  
R4N1 RESN 30  
R4N8 RESN 42  
R4P1 RESN 28  
R4P2 RESN 42  
R4P3 RESN 28  
R4P4 RESN 28  
R4P5 RESN 28  
R4P6 RESN 29  
R4P7 RESN 29  
R4R1 RESN 15  
R4R2 RESN 15  
R4R3 RESN 13  
R4R4 RESN 15  
R4R5 RESN 15  
R4R6 RESN 15  
R4R7 RESN 15  
R4R8 RESN 13  
R4T1 RESN 13  
R4T2 RESN 15  
R4T3 RESN 14  
R4T4 RESN 14  
R4T5 RESN 14  
R4T6 RESN 14  
R4T7 RESN 14  
R4T8 RESN 14

R4U1 RESN 23  
R4U2 RESN 21  
R4U3 RESN 21  
R4U4 RESN 20  
R4U5 RESN 20  
R4U6 RESN 12  
R4V1 RESN 54  
R4V2 RESN 54  
R4V3 RESN 54  
R5C1 RESN 28  
R5C2 RESN 28  
R5C3 RESN 28  
R5C4 RESN 55  
R5C5 RESN 13  
R5C6 RESN 55  
R5C8 RESN 13  
R5C9 RESN 55  
R5C10 RESN 13  
R5C11 RESN 12  
R5C12 RESN 12  
R5D1 RESN 13  
R5D2 RESN 13  
R5E1 RESN 14  
R5E2 RESN 14  
R5F1 RESN 23  
R5F2 RESN 23  
R5F3 RESN 22  
R5F4 RESN 22  
R5F5 RESN 54  
R5F6 RESN 54  
R5N1 RESN 52  
R5P1 RESN 55  
R5P2 RESN 55  
R5P3 RESN 13  
R5R1 RESN 12  
R5R2 RESN 12  
R5R3 RESN 12  
R5U1 RESN 23  
R5U2 RESN 23  
R5U3 RESN 22  
R5U4 RESN 22  
R5V2 RESN 42  
R5V3 RESN 42  
R5V4 RESN 53  
R6C1 RESN 55  
R6D1 RESN 4  
R6D2 RESN 4  
R6E1 RESN 4  
R6E2 RESN 4  
R6G1 RESN 54  
R6G7 RESN 48  
R6G8 RESN 48  
R6R1 RESN 55  
R6R2 RESN 55  
R6R3 RESN 55  
R6R4 RESN 4  
R6R5 RESN 4  
R6R6 RESN 4  
R6R7 RESN 4  
R6R8 RESN 4  
R6R9 RESN 4  
R6R10 RESN 4  
R6T1 RESN 55  
R6T3 RESN 55  
R6T4 RESN 55  
R6U1 RESN 54  
R6V1 RESN 54  
R6V2 RESN 54  
R6V3 RESN 54  
R7B2 RESN 48  
R7B6 RESN 53  
R7D1 RESN 4  
R7E1 RESN 49  
R7E2 RESN 49  
R7E3 RESN 49  
R7E4 RESN 49  
R7E5 RESN 49

R7E6 RESN 49  
R7E7 RESN 4  
R7E8 RESN 4  
R7F1 RESN 4  
R7F2 RESN 4  
R7F3 RESN 4  
R7F4 RESN 4  
R7F5 RESN 50  
R7F7 RESN 4  
R7N1 RESN 48  
R7N2 RESN 48  
R7N3 RESN 48  
R7N4 RESN 48  
R7R1 RESN 4  
R7R2 RESN 4  
R7R3 RESN 4  
R7R4 RESN 4  
R7R5 RESN 4  
R7R6 RESN 4  
R7R7 RESN 4  
R7R8 RESN 4  
R7R9 RESN 4  
R7R10 RESN 4  
R7R11 RESN 4  
R7R12 RESN 4  
R7R13 RESN 4  
R7R14 RESN 4  
R7R15 RESN 4  
R7R16 RESN 4  
R7R17 RESN 4  
R7R18 RESN 4  
R7R19 RESN 4  
R7R20 RESN 4  
R7R21 RESN 4  
R7R22 RESN 4  
R7R23 RESN 4  
R7R24 RESN 4  
R7T2 RESN 6  
R7T4 RESN 49  
R7T5 RESN 49  
R7T6 RESN 49  
R7T7 RESN 49  
R7T8 RESN 49  
R7T9 RESN 49  
R7T10 RESN 55  
R7T11 RESN 49  
R7T12 RESN 49  
R7T13 RESN 49  
R7T14 RESN 49  
R7T15 RESN 49  
R7T16 RESN 49  
R7U1 RESN 50  
R7U2 RESN 50  
R7U3 RESN 4  
R7V1 RESN 50  
R7V2 RESN 50  
R7V3 RESN 50  
R7V4 RESN 34  
R7V5 RESN 50  
R7V6 RESN 56  
R7V7 RESN 56  
R8A1 RESN 48  
R8A2 RESN 48  
R8A3 RESN 48  
R8A4 RESN 48  
R8A5 RESN 56  
R8B2 RESN 52  
R8B3 RESN 52  
R8B4 RESN 52  
R8B5 RESN 48  
R8B6 RESN 56  
R8C1 RESN 52  
R8C2 RESN 56  
R8C3 RESN 56  
R8C4 RESN 56  
R8C5 RESN 56  
R8C6 RESN 56

R8G3 RESN 50  
 R8N1 RESN 48  
 R8N2 RESN 52  
 R8N3 RESN 52  
 R8N4 RESN 52  
 R8N5 RESN 52  
 R8N6 RESN 52  
 R8N7 RESN 52  
 R8N8 RESN 52  
 R8N9 RESN 52  
 R8N10 RESN 52  
 R8N11 RESN 52  
 R8N12 RESN 52  
 R8N17 RESN 34  
 R8N18 RESN 34  
 R8P1 RESN 52  
 R8P2 RESN 52  
 R8P3 RESN 52  
 R8P4 RESN 52  
 R8P5 RESN 52  
 R8P6 RESN 52  
 R8P7 RESN 52  
 R8P8 RESN 56  
 R8P9 RESN 52  
 R8U1 RESN 50  
 R8U2 RESN 50  
 R8U3 RESN 50  
 R8U4 RESN 50  
 R8V1 RESN 50  
 R8V2 RESN 50  
 R8V3 RESN 50  
 R8V4 RESN 50  
 R8V5 RESN 50  
 R8B1 RESN 52  
 R8C1 RESN 51  
 R8E1 RESN 51  
 R8F1 RESN 51  
 R8G1 RESN 45  
 R8G2 RESN 45  
 R8P1 RESN 51  
 R8P2 RESN 51  
 R8T1 RESN 51  
 R8T2 RESN 51  
 R8U1 RESN 51  
 R8U2 RESN 51  
 R8V1 RESN 45  
 R8V2 RESN 45  
 RT1B1 THERMISTOR 44  
 RT1R1 THERMISTOR 47  
 RT1U1 THERMISTOR 47  
 RT2G1 THERMISTOR 45  
 RT2M1 THERMISTOR 43  
 RT7C1 THERMISTOR 52  
 RT8F1 THERMISTOR 50  
 RT8G1 THERMISTOR 45  
 RT8G2 THERMISTOR 45  
 ST1P1 SHORT 38  
 ST1P2 SHORT 38  
 ST1P3 SHORT 38  
 ST2P1 SHORT 38  
 ST2P2 SHORT 37  
 ST2P3 SHORT 37  
 ST2P4 SHORT 37  
 ST4C1 SHORT 29  
 ST4C2 SHORT 29  
 ST4C3 SHORT 29  
 ST4C4 SHORT 29  
 ST4C5 SHORT 29  
 ST5D1 SHORT 52  
 ST5R1 SHORT 52  
 ST5R2 SHORT 52  
 ST6D1 SHORT 6  
 ST6R1 SHORT 6  
 ST6R2 SHORT 6  
 ST7D1 SHORT 6  
 ST7R1 SHORT 6  
 ST7T1 SHORT 50

ST8F1 SHORT 50  
 SW1G1 SWITCH 42  
 SW2G1 SWITCH 42  
 SW2G2 SWITCH 42  
 SW5G1 SWITCH 42  
 TP6D1 PROBE 4  
 TP6R1 PROBE 4  
 TP6R2 PROBE 4  
 TP7A1 TDRX4 57  
 TP7A2 TDRX4 57  
 TP7M1 TDRX2 57  
 TP7M2 TDRX2 57  
 TP7R1 PROBE 4  
 TP7R2 PROBE 4  
 TP7R3 PROBE 4  
 TP7R4 PROBE 4  
 TP8A1 TDRX2 57  
 TP8A2 TDRX2 57  
 TP8M1 TDRX4 57  
 TP8M2 TDRX4 57  
 U1B1 BCM4341 19  
 U1B2 ICS18938F 39  
 U1E1 NCP1117 53  
 U1F1 NCP1086 55  
 U1F2 NCP1117 45  
 U1G1 IR\_WHOHOLDER 42  
 U1R1 SI4501DY 46  
 U2B1 XDAC 40  
 U2C1 SB 33 34 35 36 37 38  
 U2D1 SN74LVC1G125 12  
 U2E1 NAND 41  
 U2E2 SN74LVC1G125 12  
 U2R1 SN74LVC1G125 12  
 U2T1 NCP1117 53  
 U3B4 MK1483REV13 46  
 U3D1 GDDR136 24  
 U3E1 GDDR136 26  
 U3P1 NCP1117 55  
 U3R1 GDDR136 25  
 U3T1 GDDR136 27  
 U4B1 ANA 28 29 30  
 U4C1 AT25020A 13  
 U4D1 NB 12 13 14 15 16 17 57  
 U4F1 GDDR136 20  
 U4U1 GDDR136 21  
 U4V1 NCP5425 54  
 U5B1 NCP1117 55  
 U5B2 NCP1117 55  
 U5C1 NCP1117 55  
 U5F1 GDDR136 22  
 U5U1 GDDR136 23  
 U6R1 NCP1117 55  
 U6T1 NCP5020 55  
 U6T2 LP2980 55  
 U7D1 WATERNOOSE 4 5 6 7 8 57  
 U7E1 AT25020A 4  
 U7U1 ADP3188 50  
 U8N1 NCP5331 52  
 U9P1 MOSDRIVER 51  
 U9T1 MOSDRIVER 51  
 U9U1 MOSDRIVER 51  
 Y3B1 CRYSTAL 46