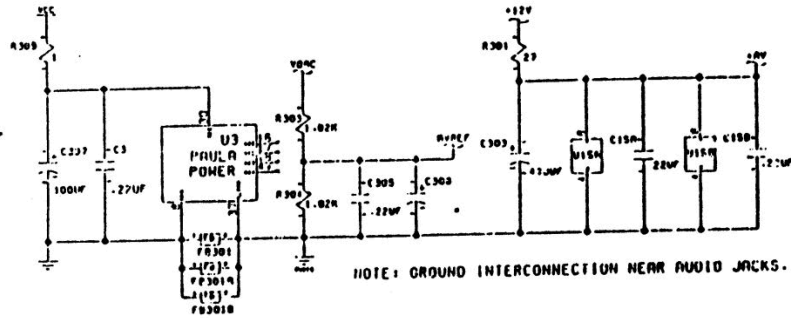
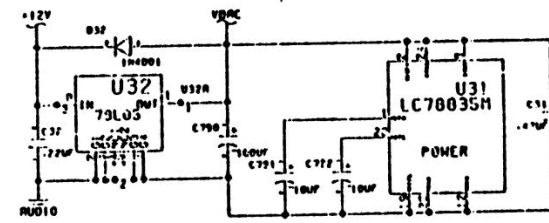


PAULA/AUDIO DECOUPLING

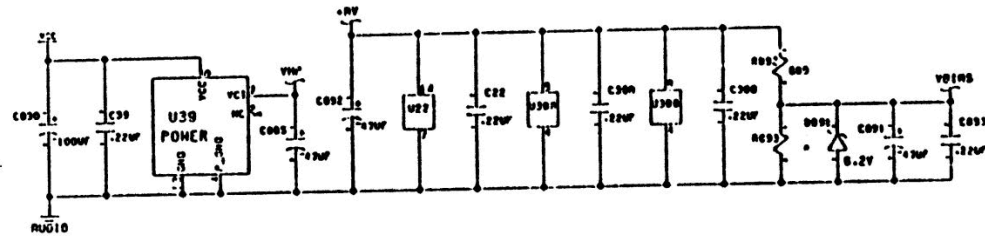


NOTE: GROUND INTERCONNECTION NEAR AUDIO JACKS.

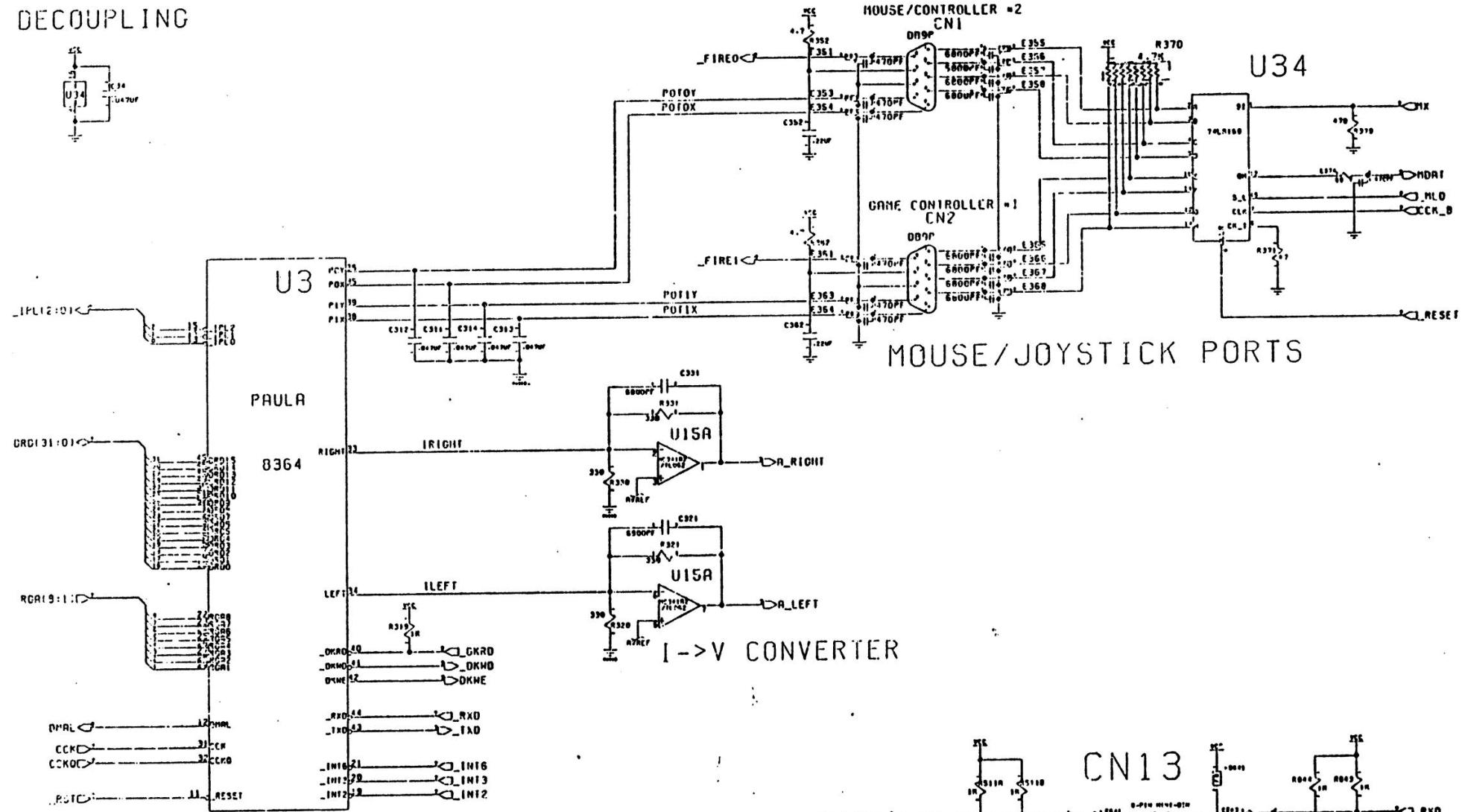
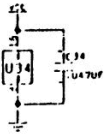
CD/AUDIO DAC DECOUPLING



HEADPHONE/AUDIO DECOUPLING

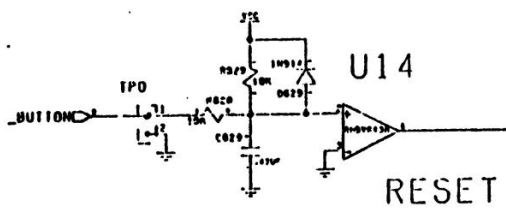


DECOUPLING

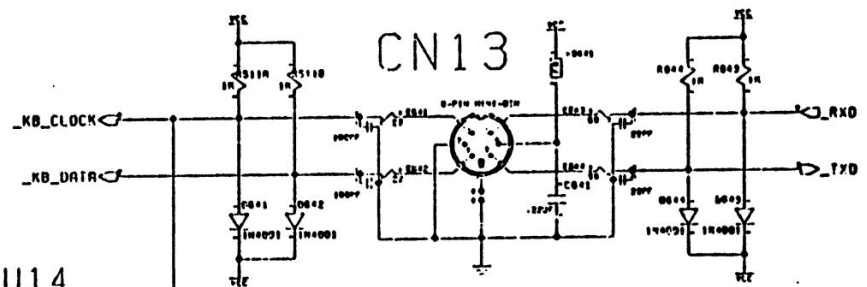


MOUSE/JOYSTICK PORTS

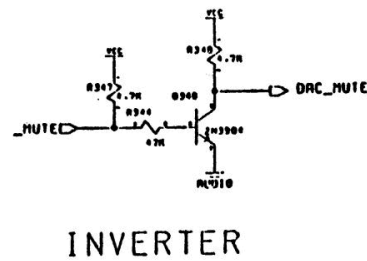
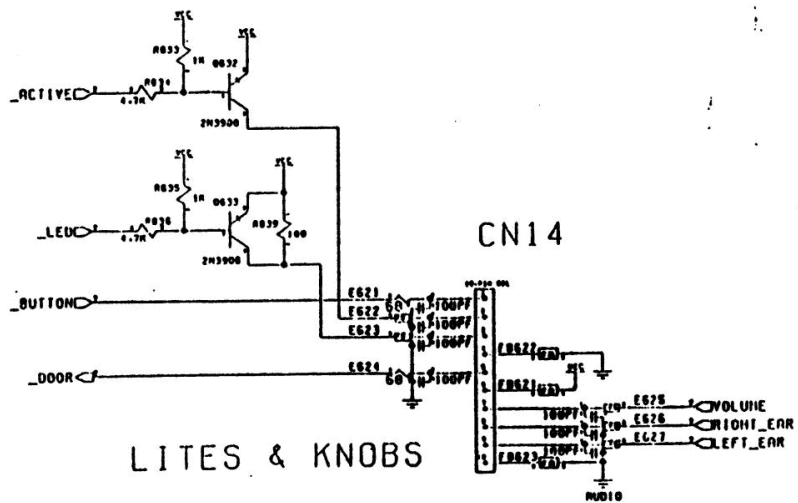
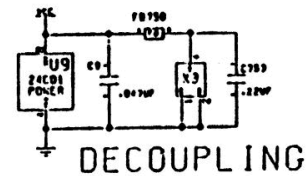
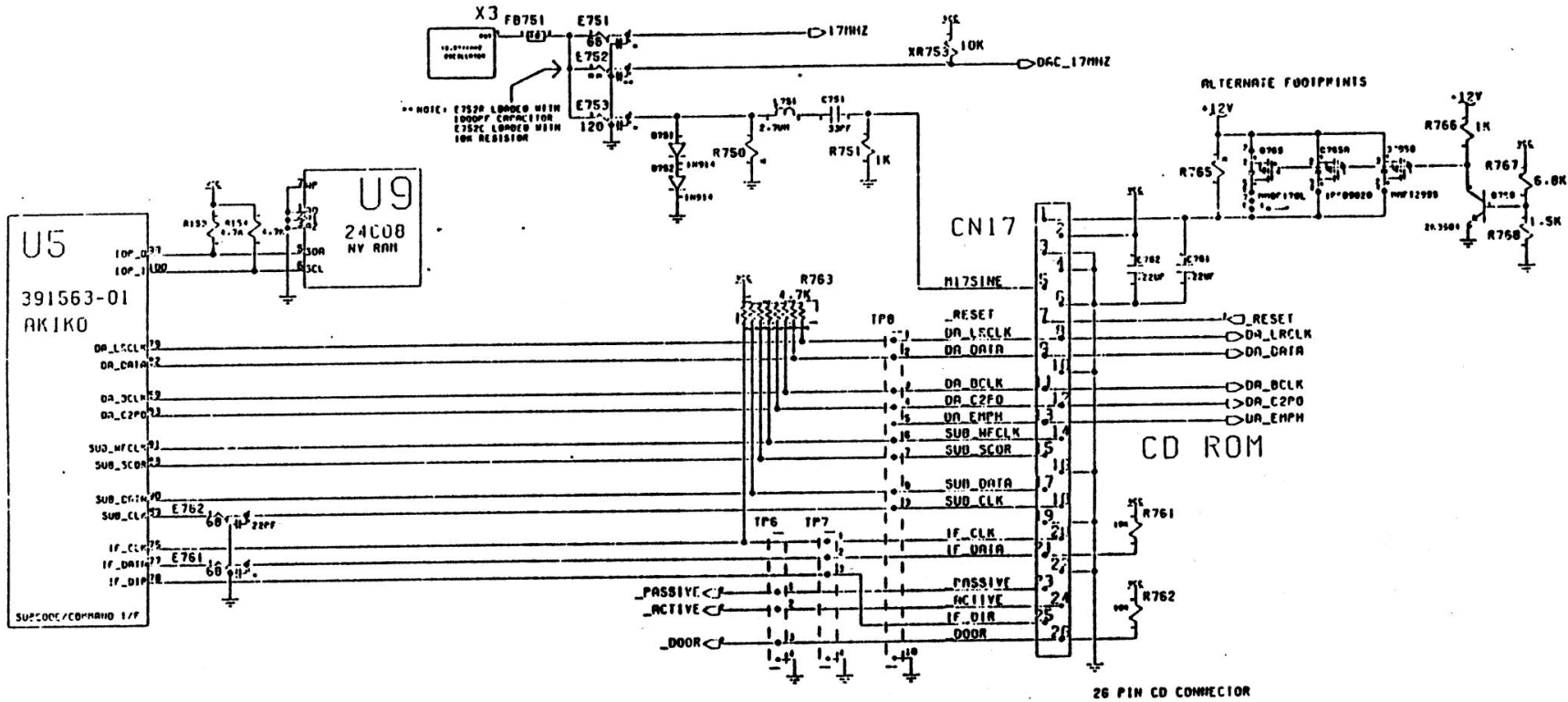
I->V CONVERTER

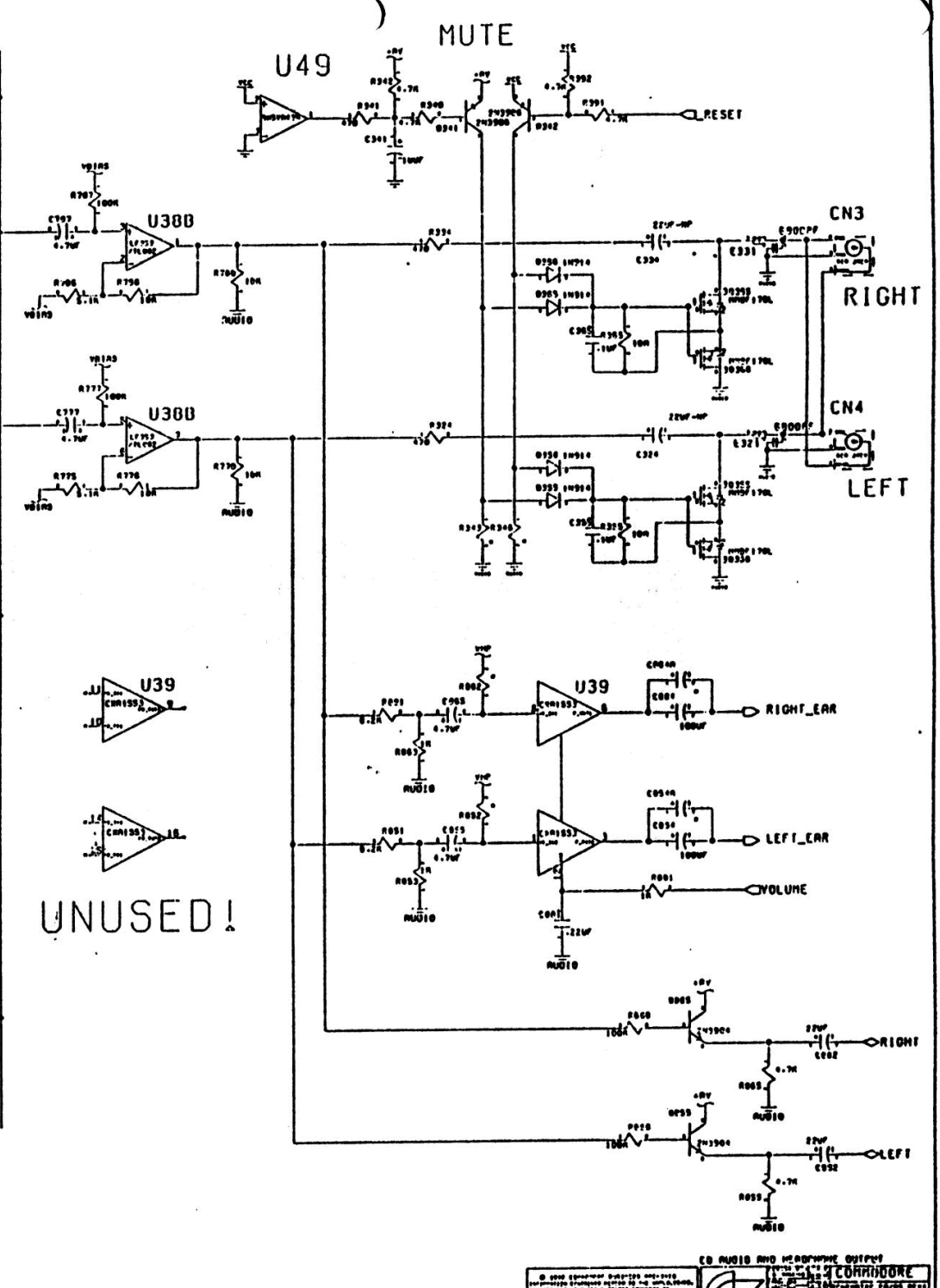
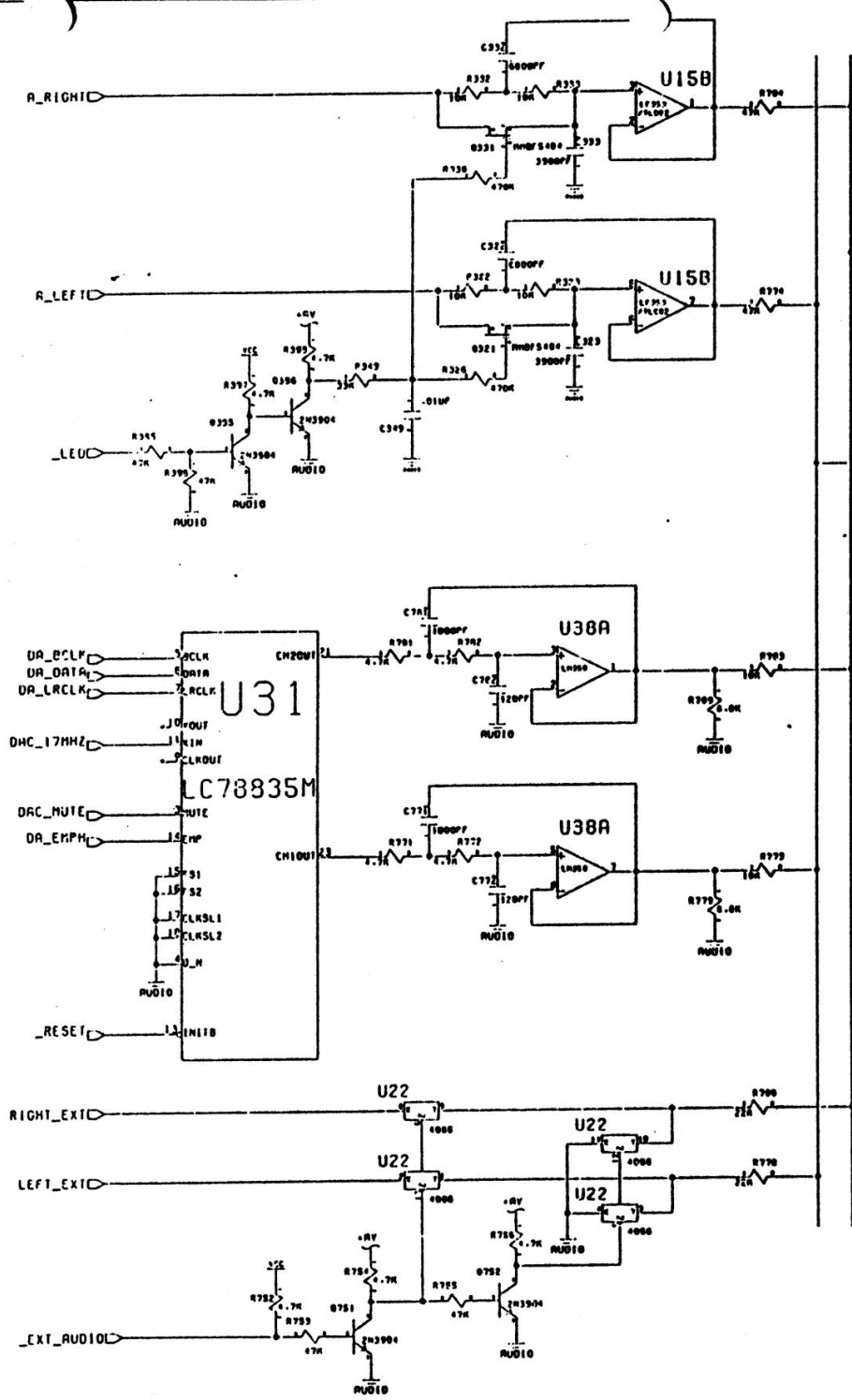


RESET



KEYBOARD





CD/ACC PLAYER PCB

© 1998 CONQUEST ELECTRONICS, INC. ALL RIGHTS RESERVED. THIS DOCUMENT IS UNCLASSIFIED EXCEPT WHERE SHOWN OTHERWISE. IT IS THE PROPERTY OF CONQUEST ELECTRONICS, INC. AND IS LOANED TO YOU. IT IS TO BE RETURNED TO CONQUEST ELECTRONICS, INC. UPON REQUEST. IT IS NOT TO BE REPRODUCED OR TRANSMITTED IN ANY FORM OR BY ANY MEANS, ELECTRONIC OR MECHANICAL, INCLUDING PHOTOCOPYING, RECORDING, OR BY ANY INFORMATION STORAGE AND RETRIEVAL SYSTEM. CONQUEST ELECTRONICS, INC. 10000 WILSON AVENUE, SUITE 100, WESTMINSTER, CO 80031-1000, USA. TEL: (303) 440-1000. FAX: (303) 440-1001. WWW: WWW.CONQUESTELECTRONICS.COM

