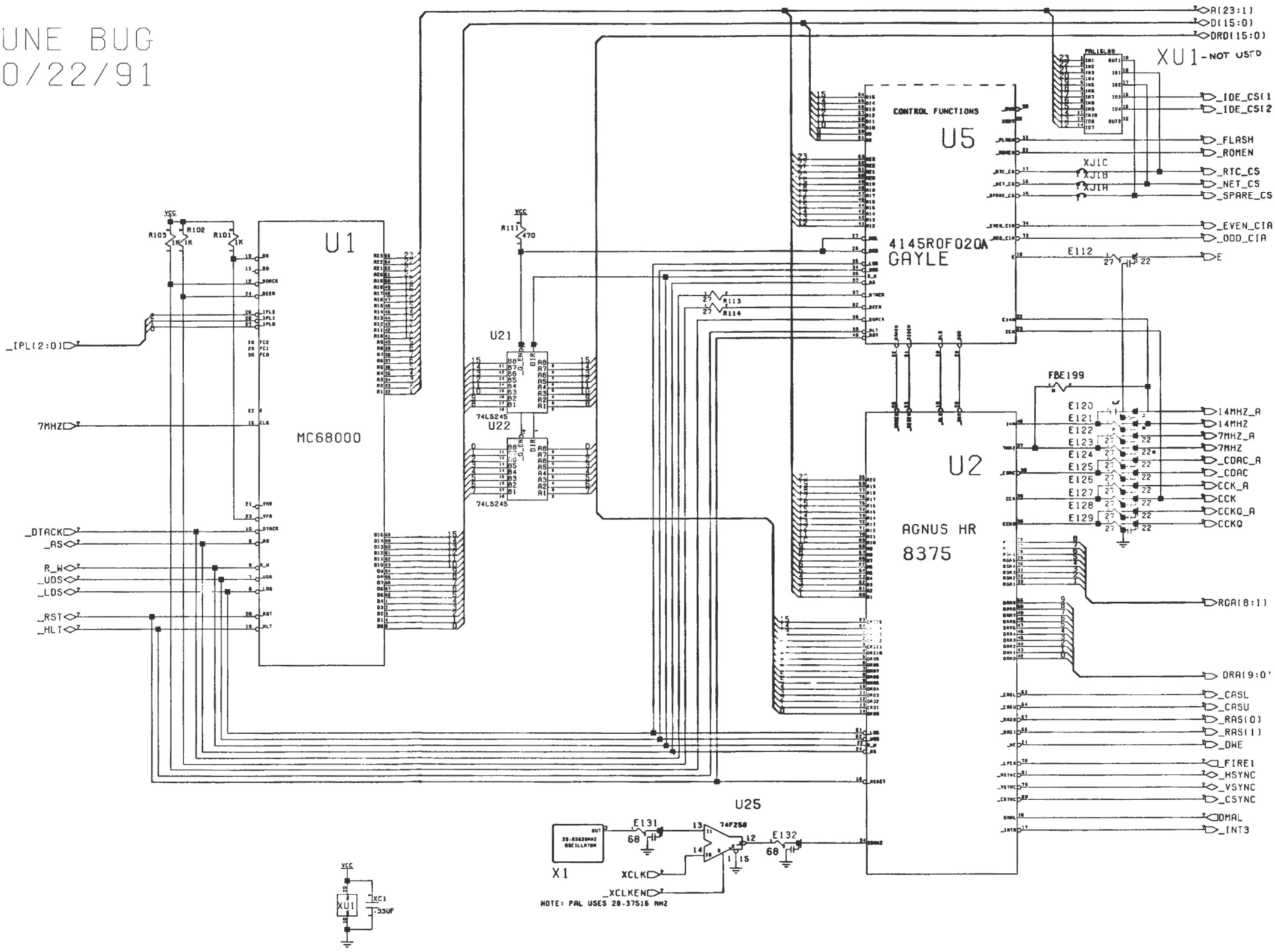
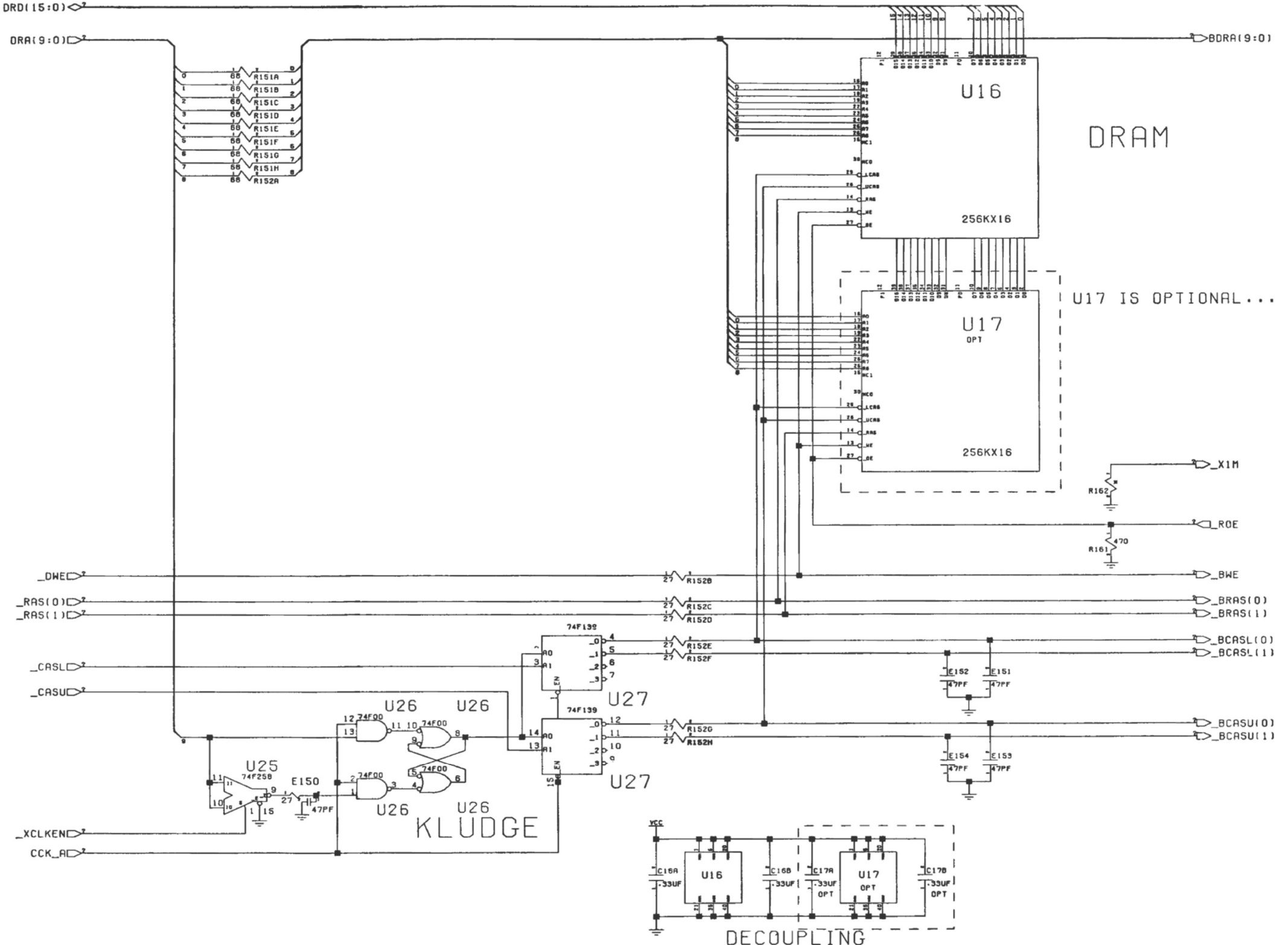


JUNE BUG
10/22/91



NOTE: PAL USES 28.37516 MHZ

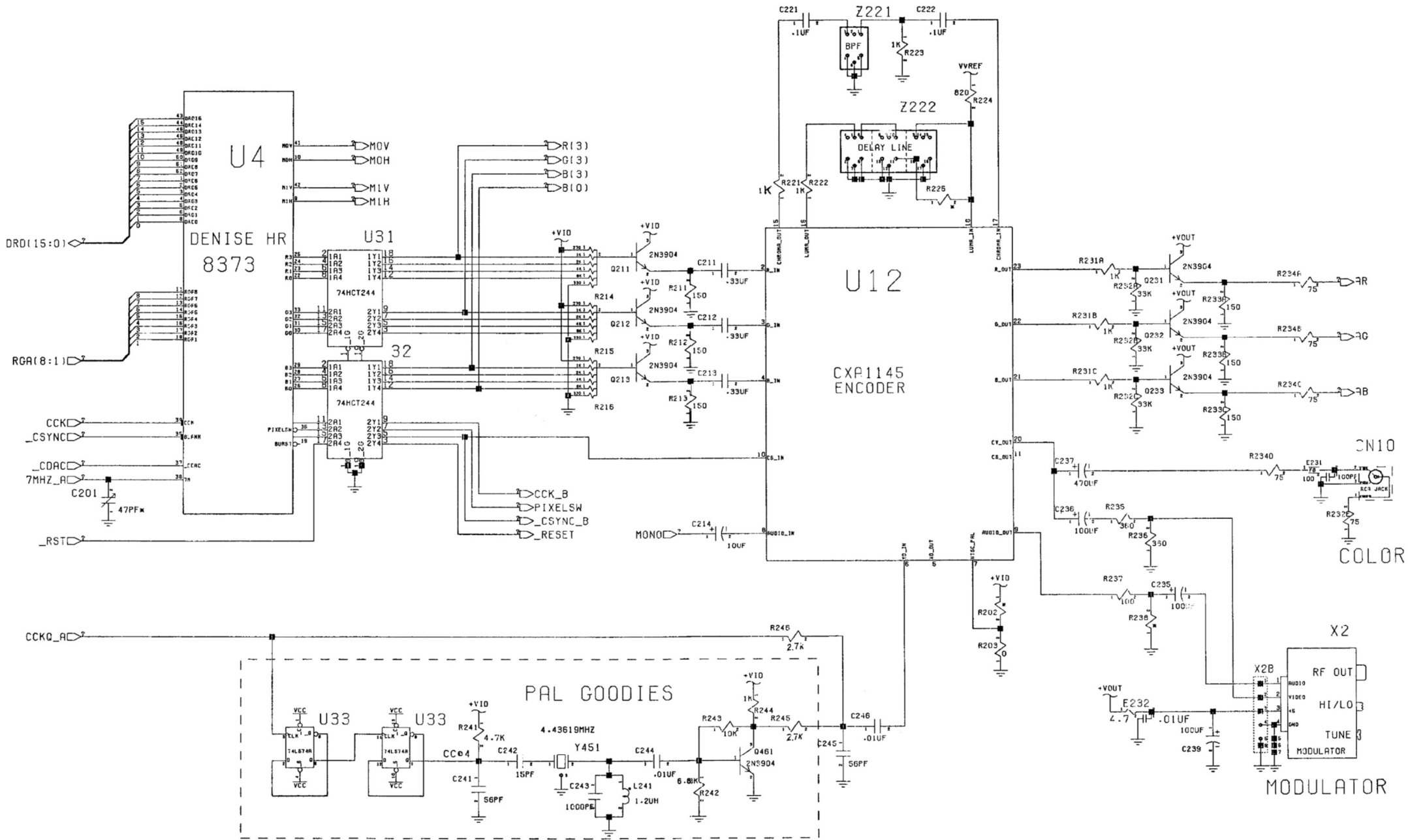


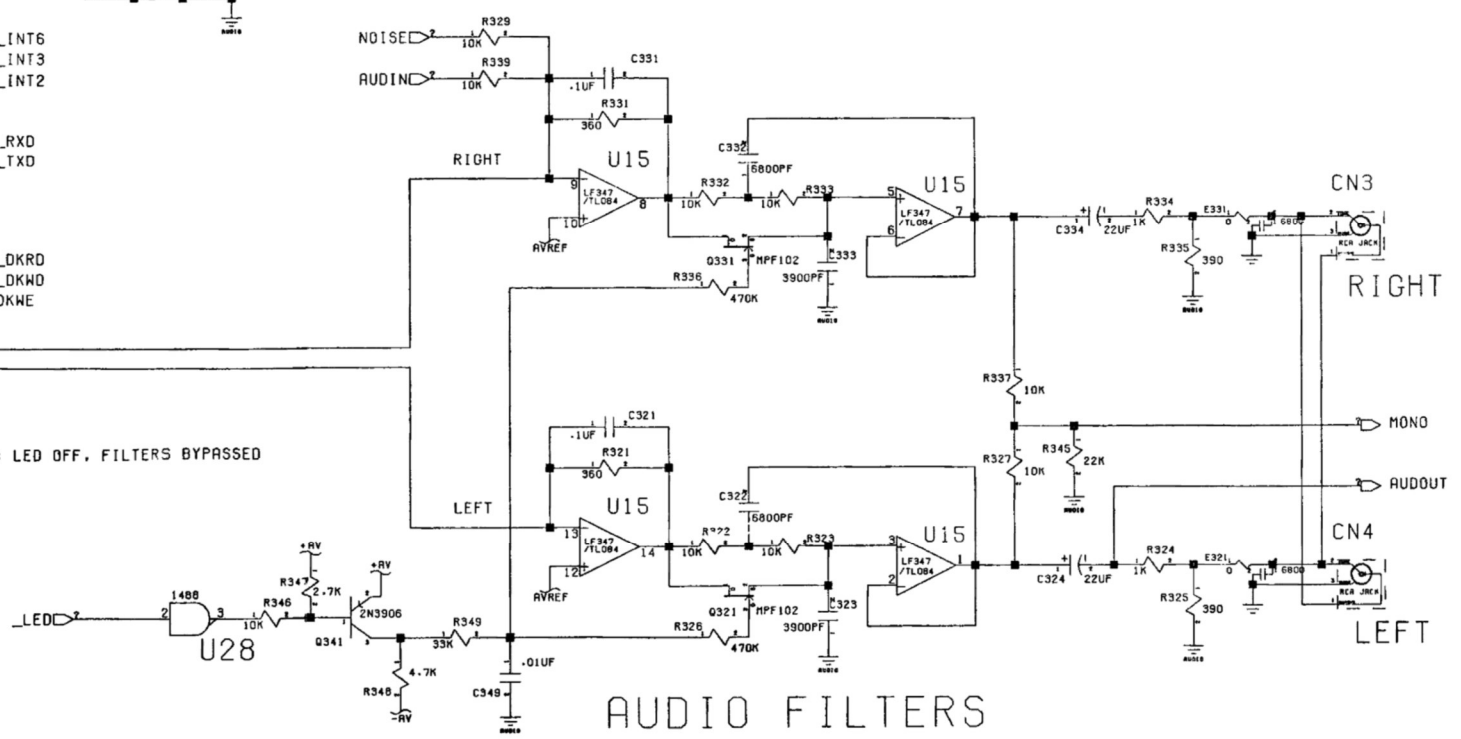
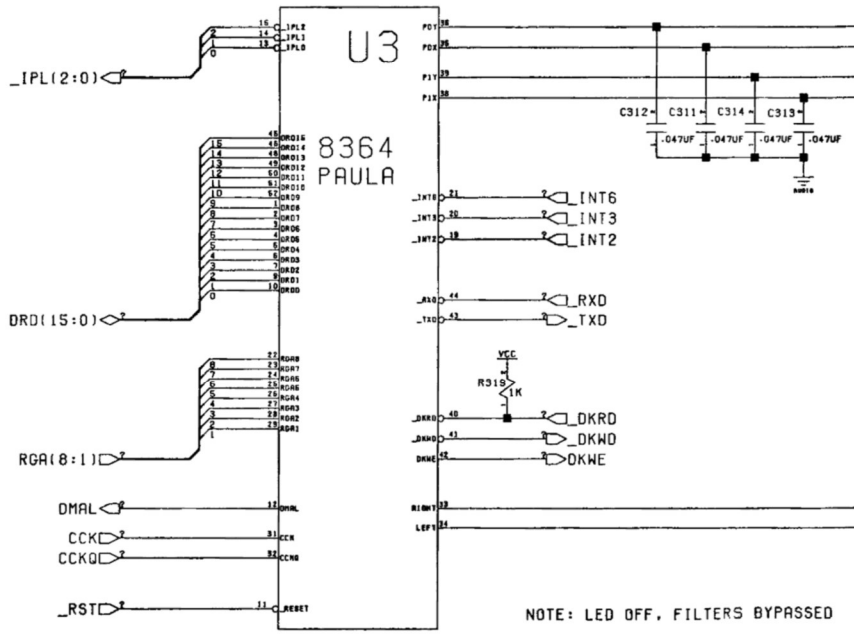
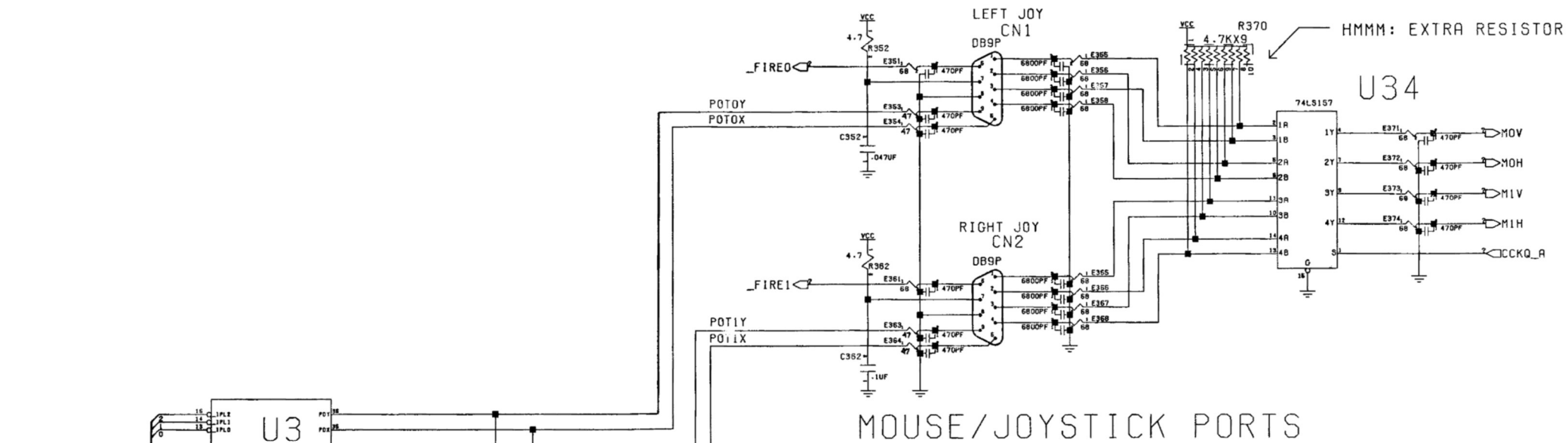
DRAM

U17 IS OPTIONAL...

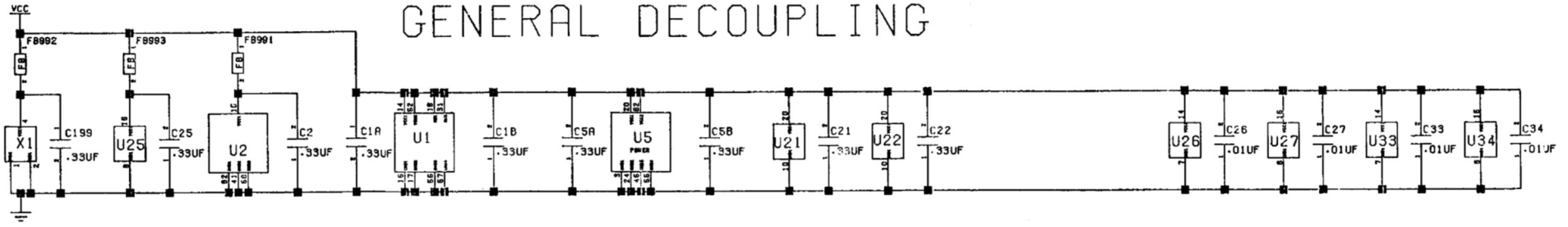
KLUDGE

DECOUPLING

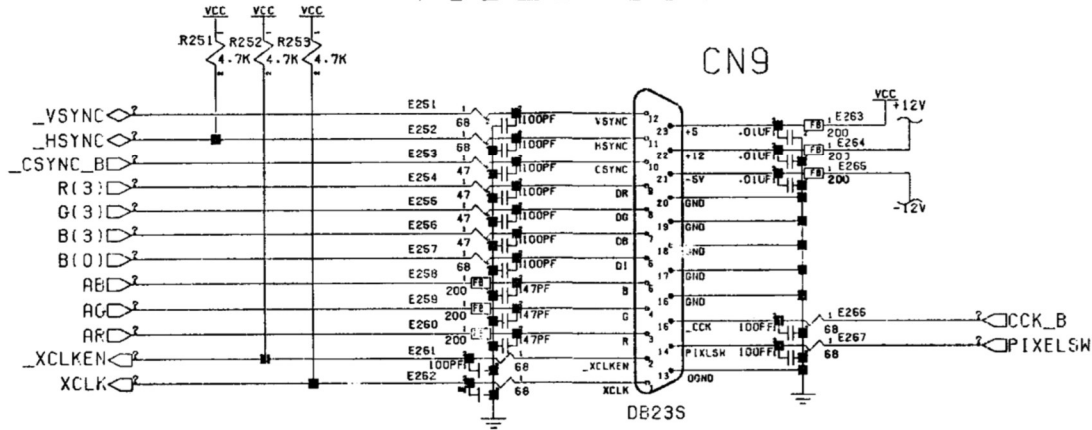




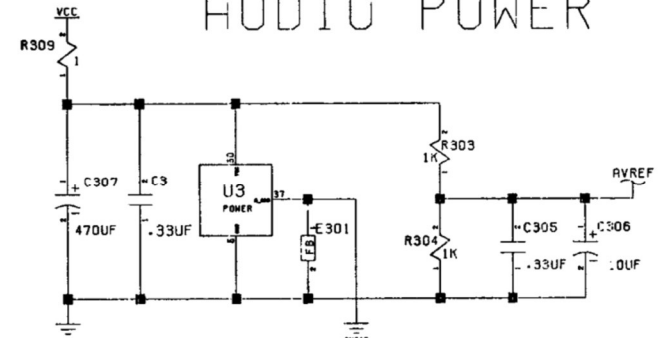
GENERAL DECOUPLING



VIDEO OUT

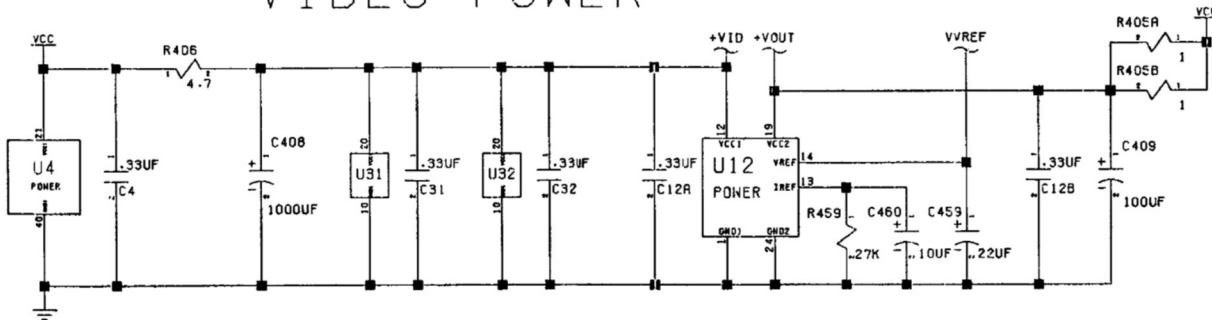


AUDIO POWER

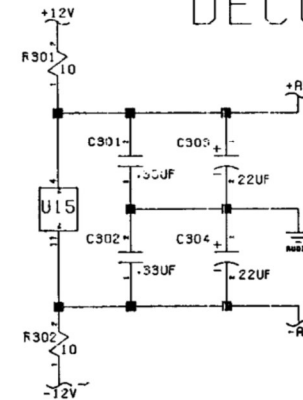


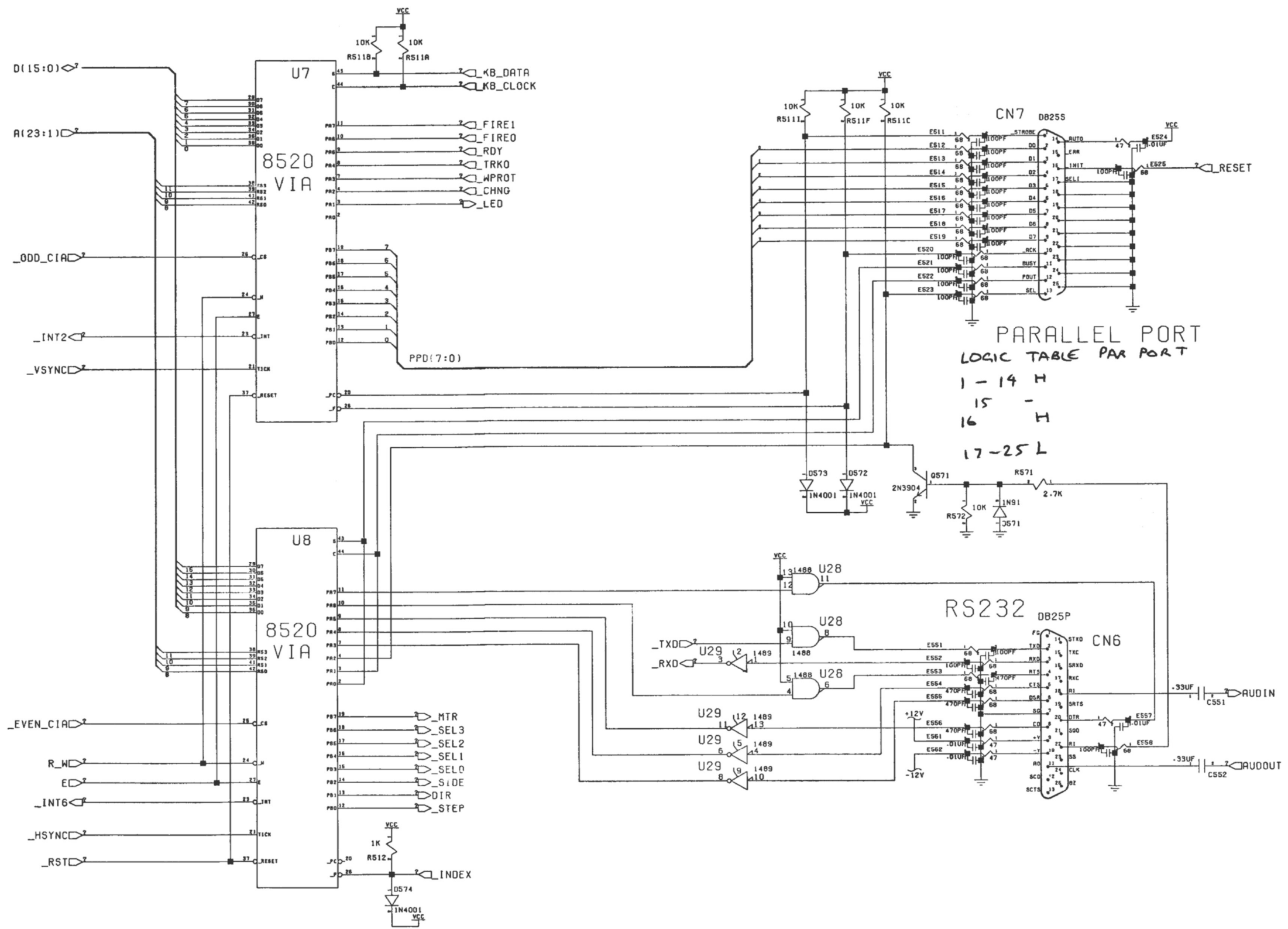
NOTE: GROUND INTERCONNECTION NEAR AUDIO JACKS.

VIDEO POWER

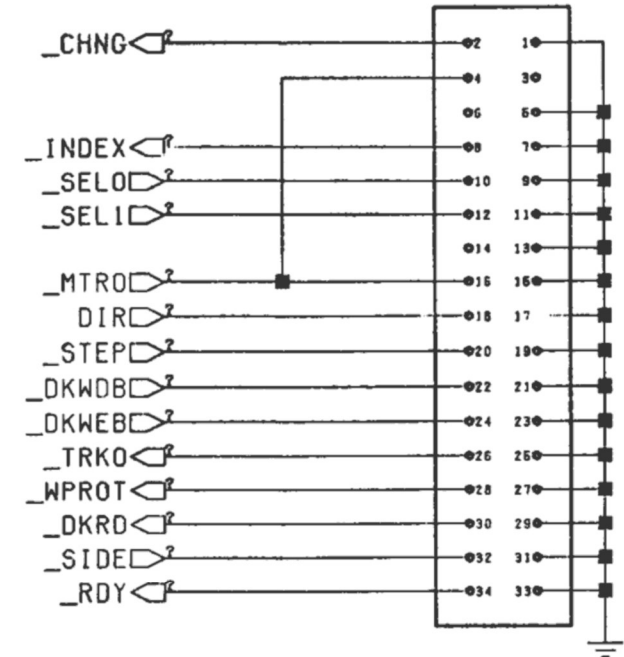
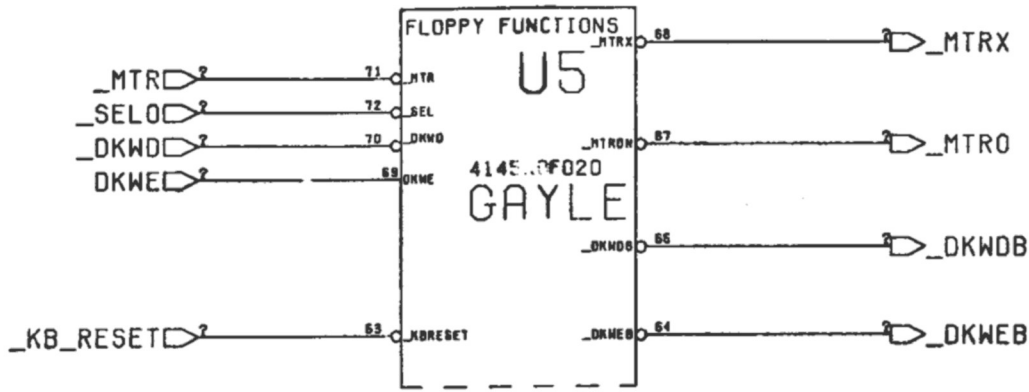


DECOUPLING

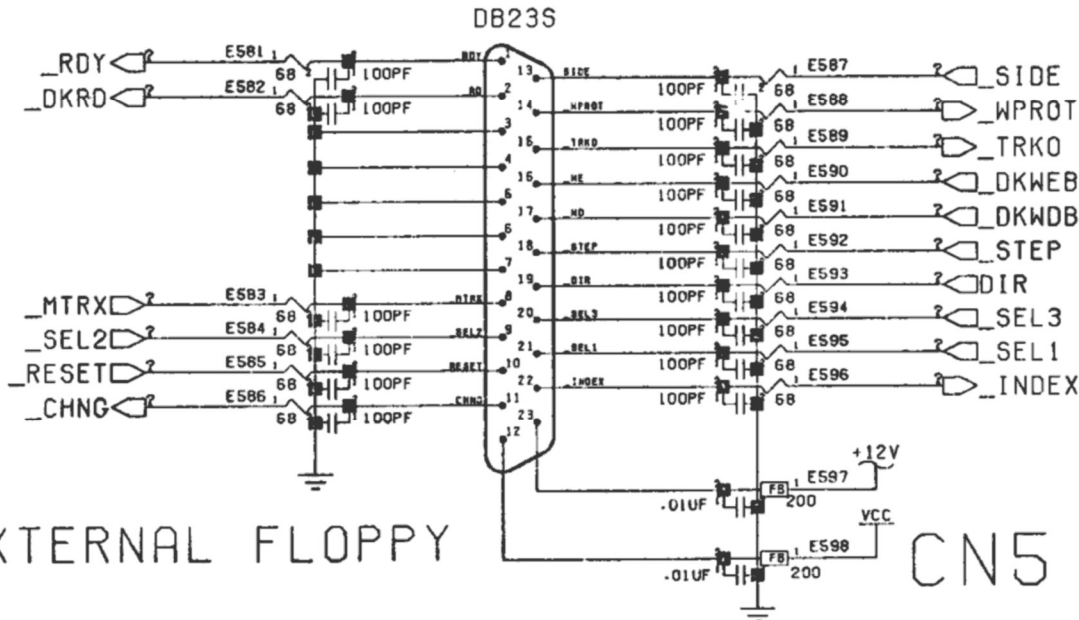




FLOPPY LOGIC



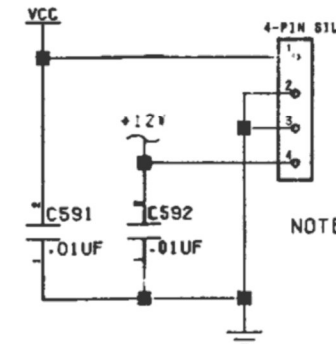
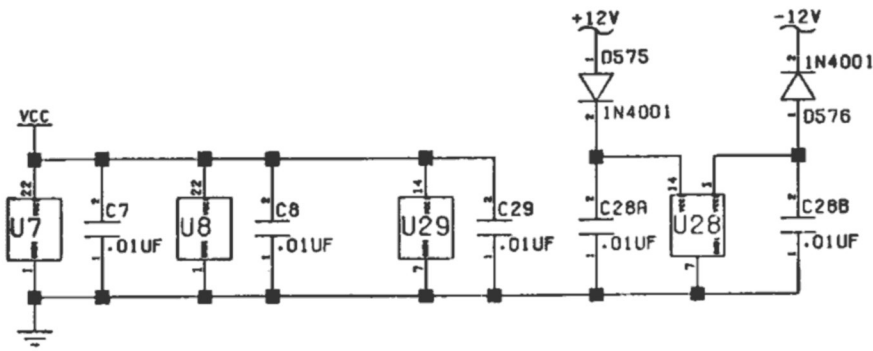
INTERNAL FLOPPY CN11



EXTERNAL FLOPPY

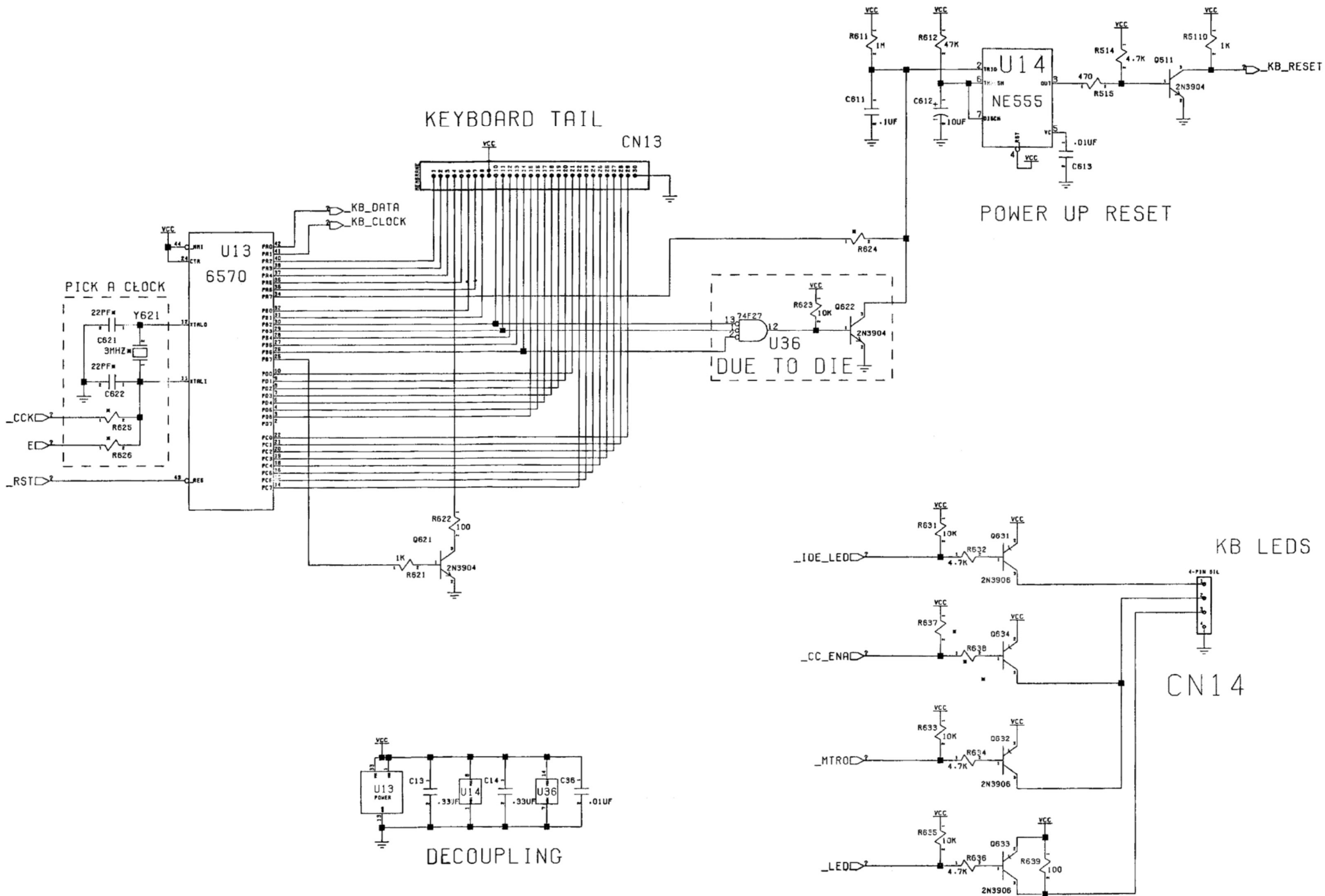
CN5

FLOPPY POWER

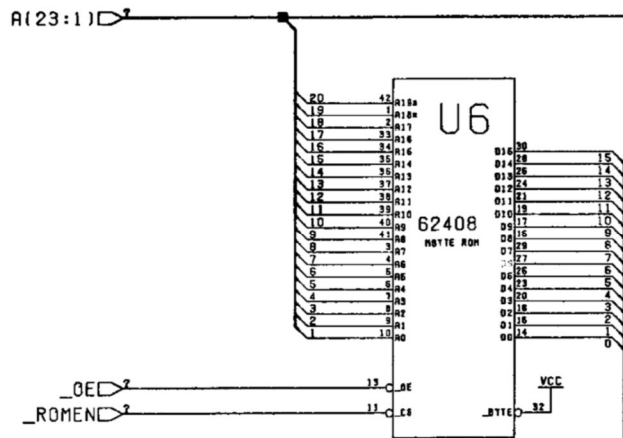


CN12

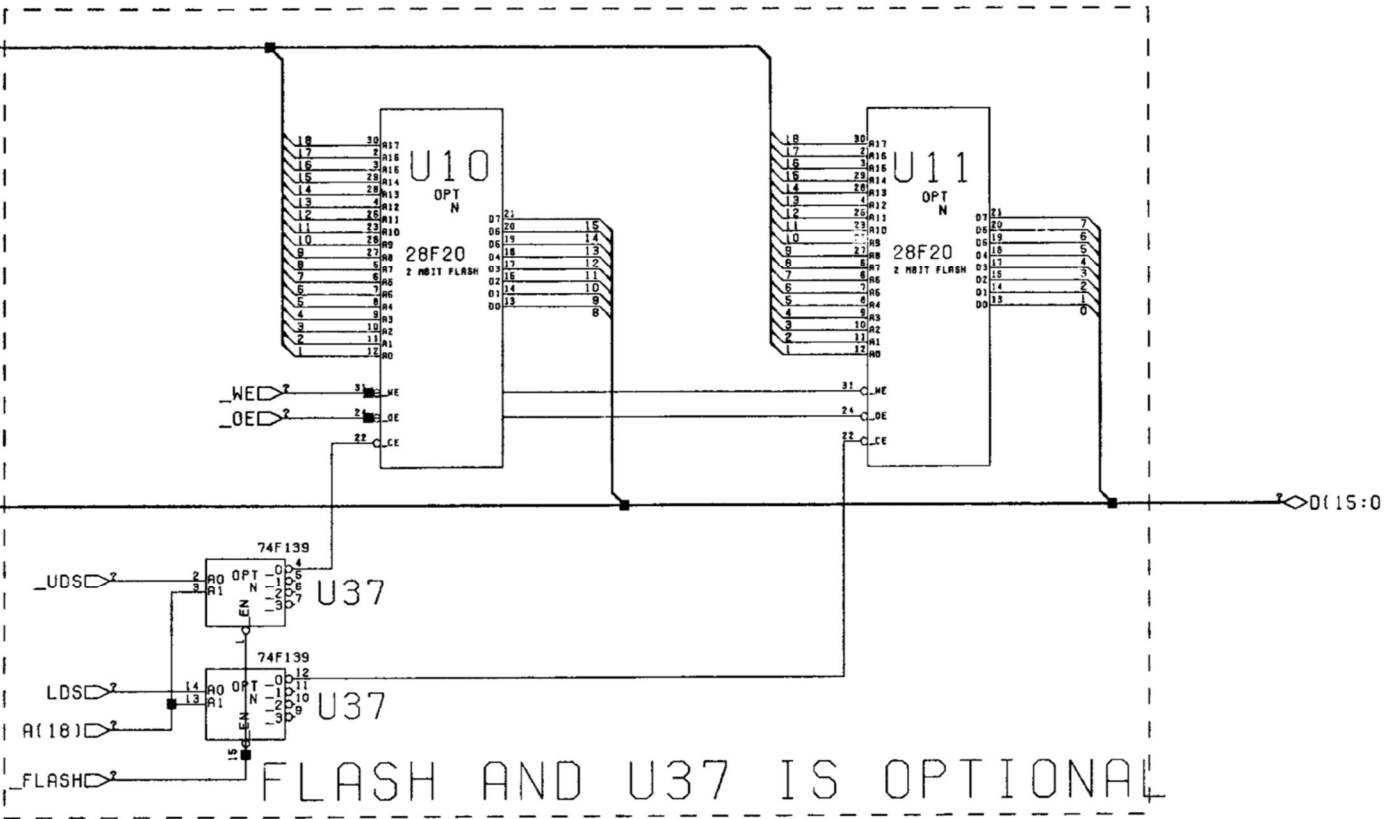
NOTE: SOME DRIVES ARE +5 ONLY...



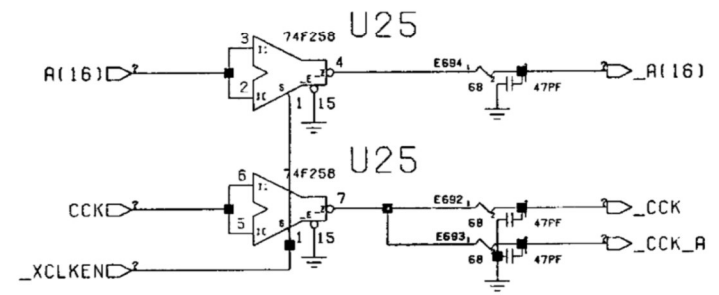
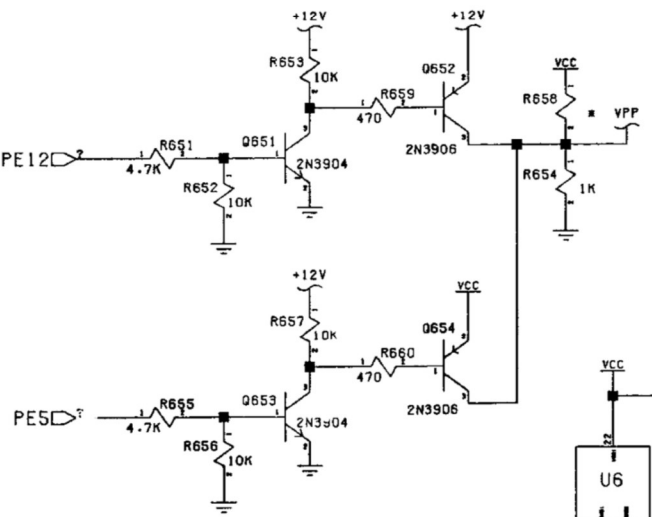
ROM



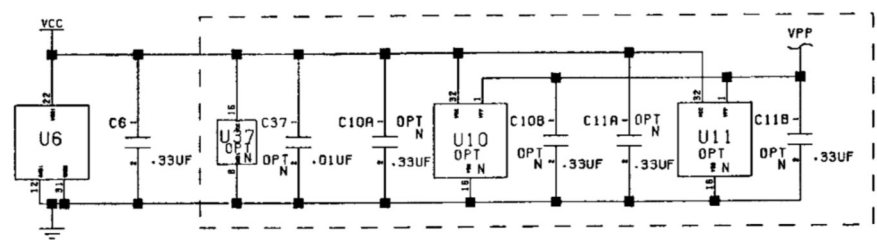
FLASH MEMORY



PROGRAMMING VOLTAGE



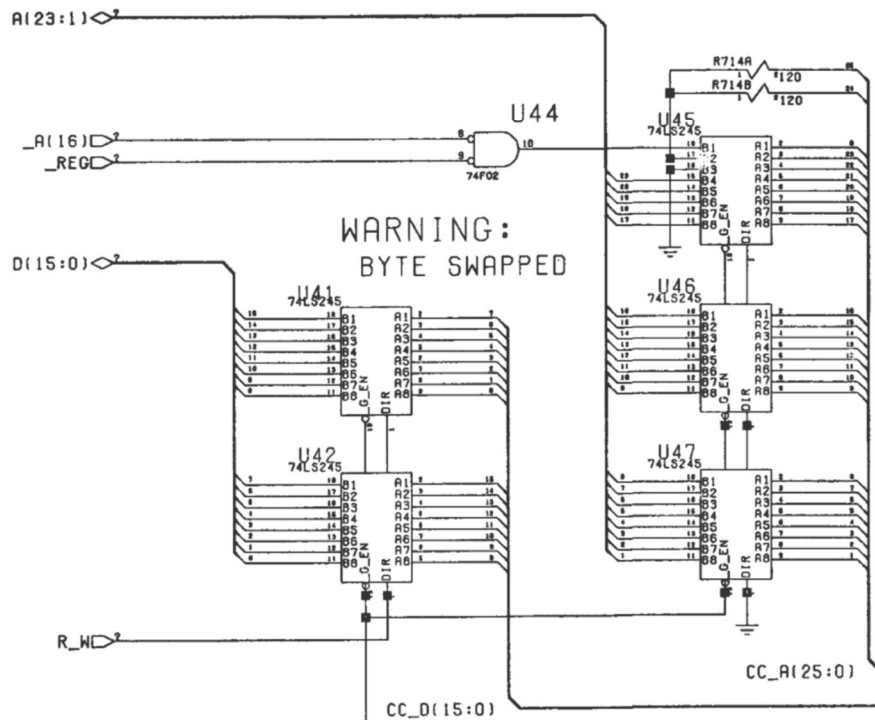
FUNNY INVERTERS



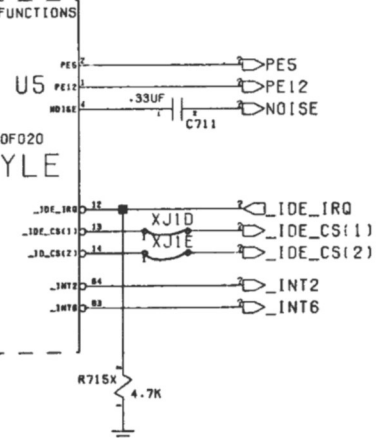
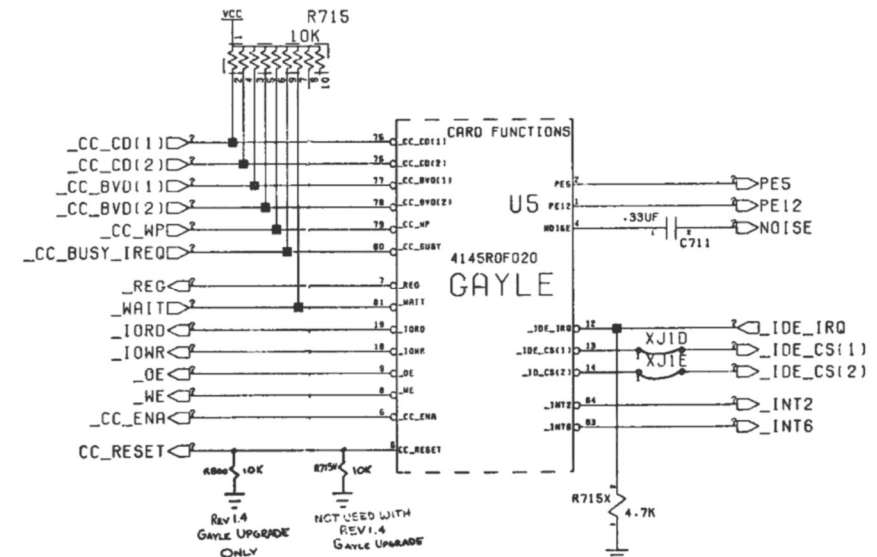
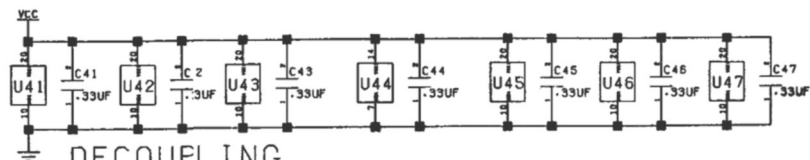
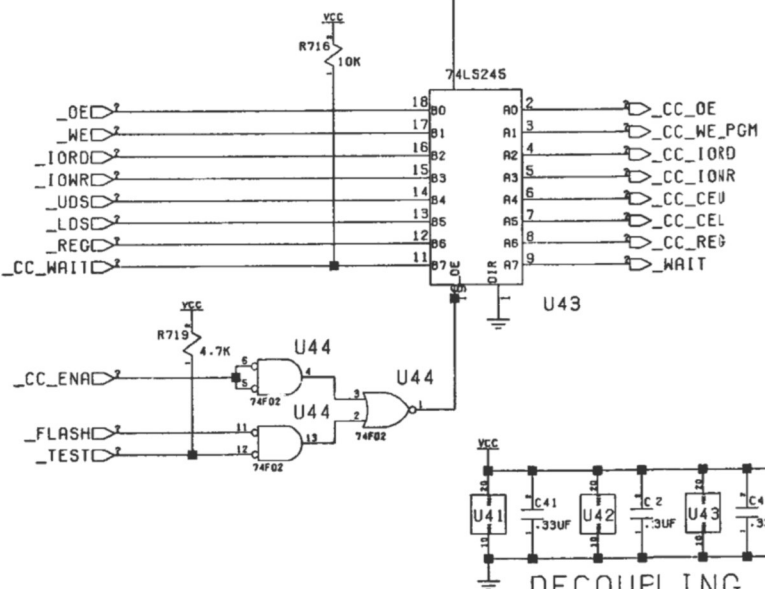
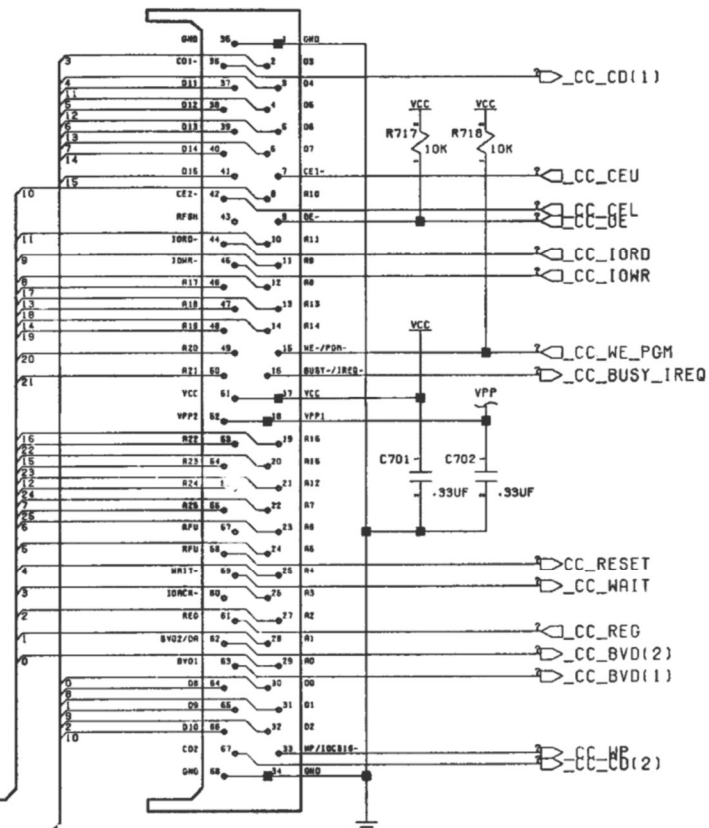
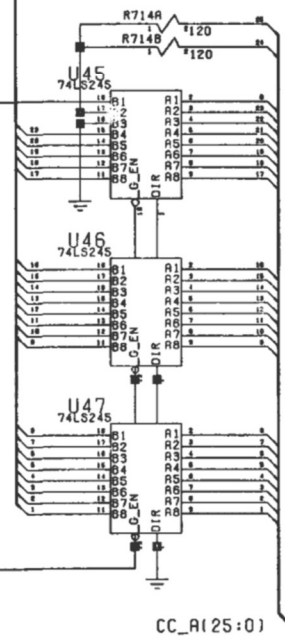
DECOUPLING

MEMORY CARD

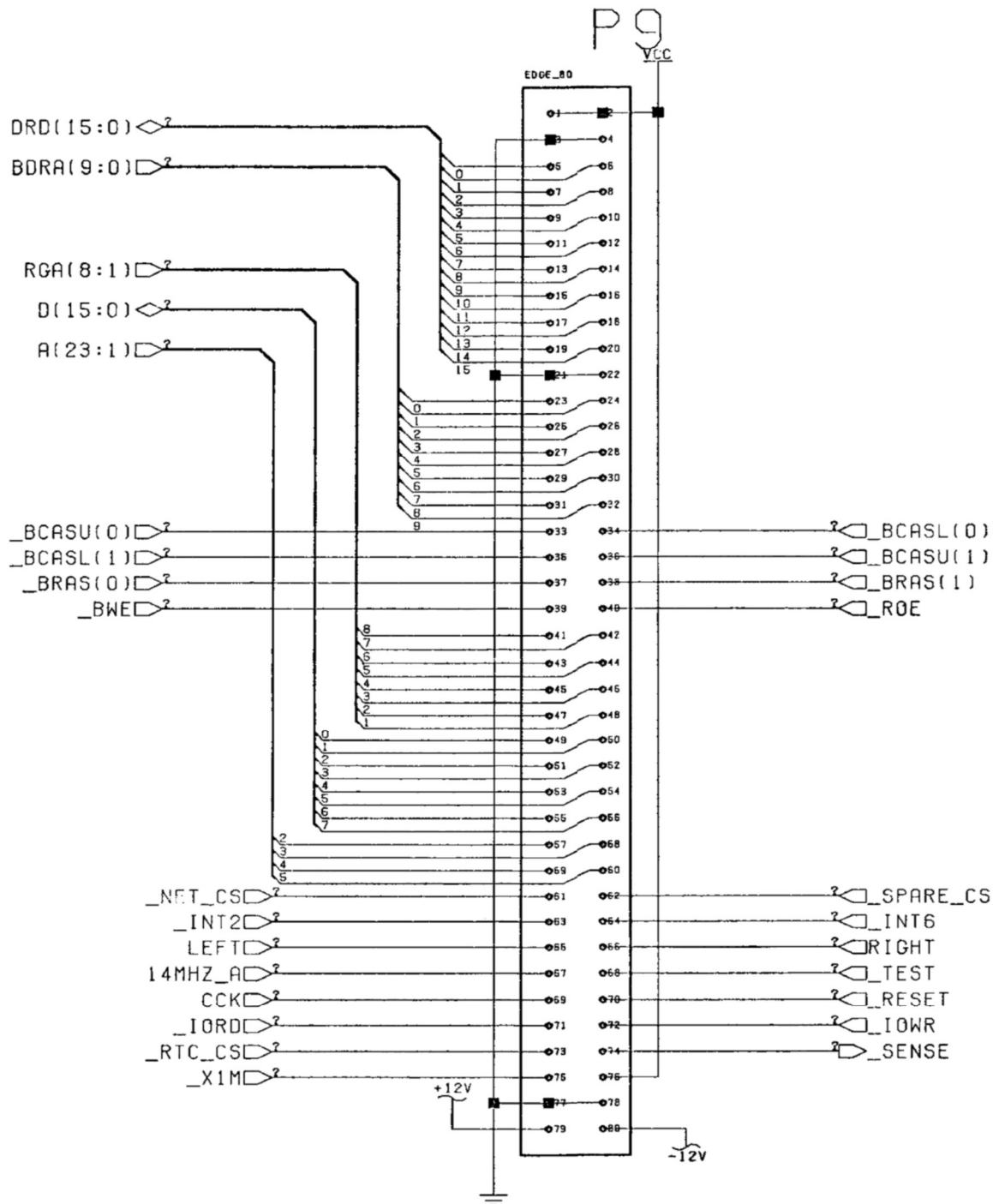
CN15



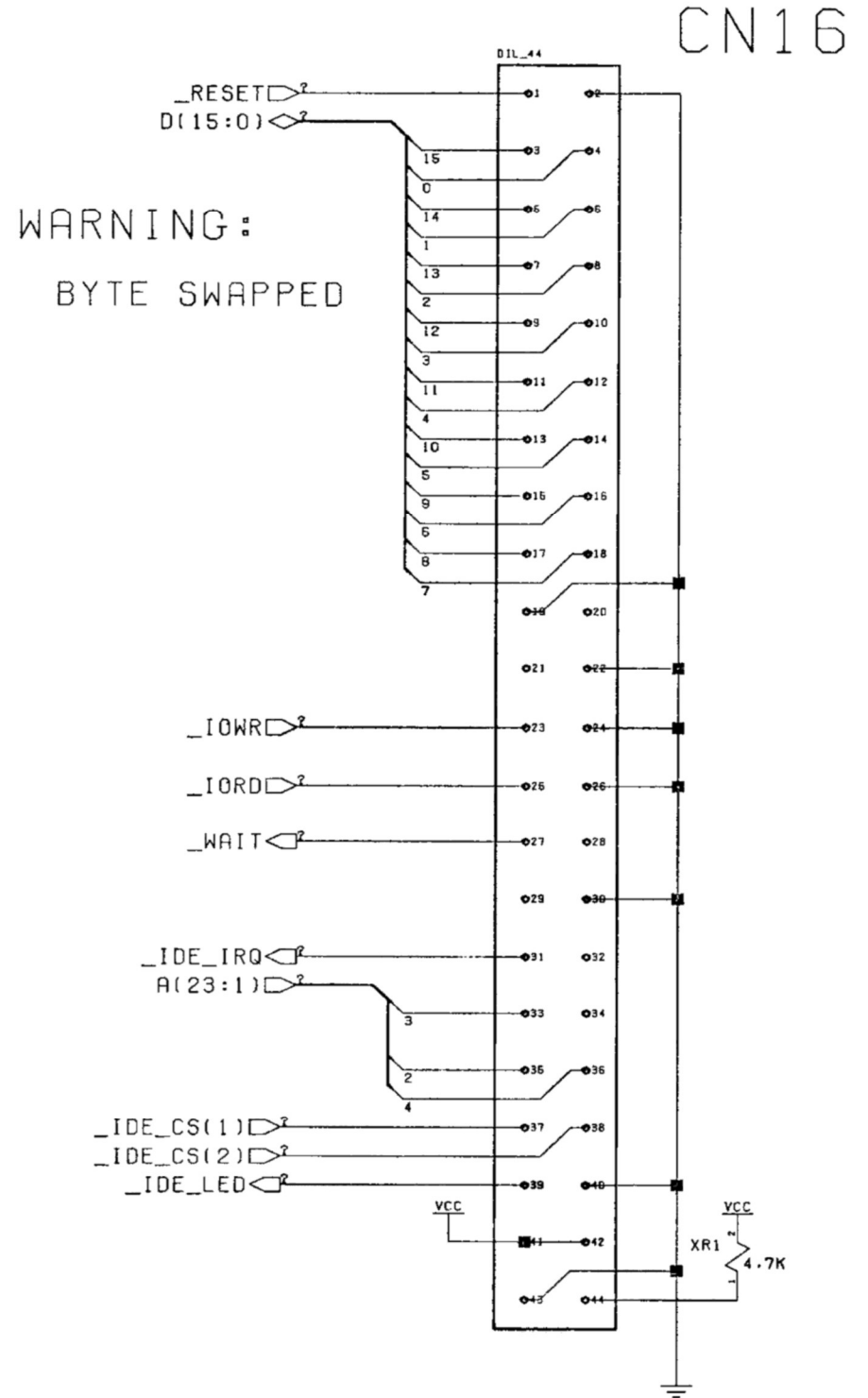
WARNING:
BYTE SWAPPED



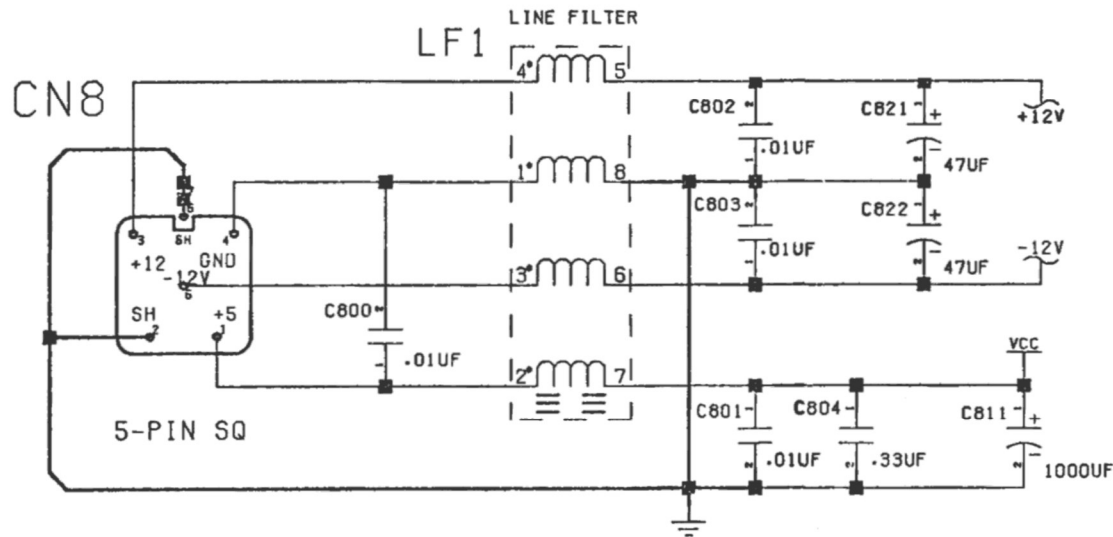
MEMORY EXPANSION



IDE DRIVE

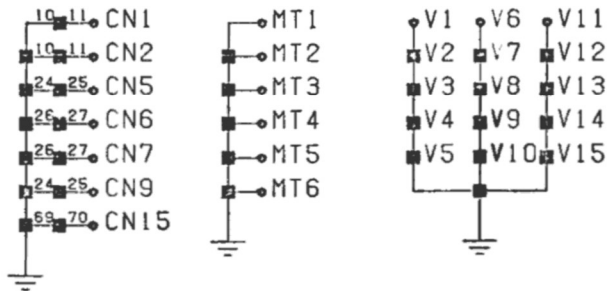


POWER INPUT



NOTE: HEAVY LINES INDICATE A SINGLE POINT CONNECTION

GROUNDING HOLES, & C.



"BUS" TERMINATION

